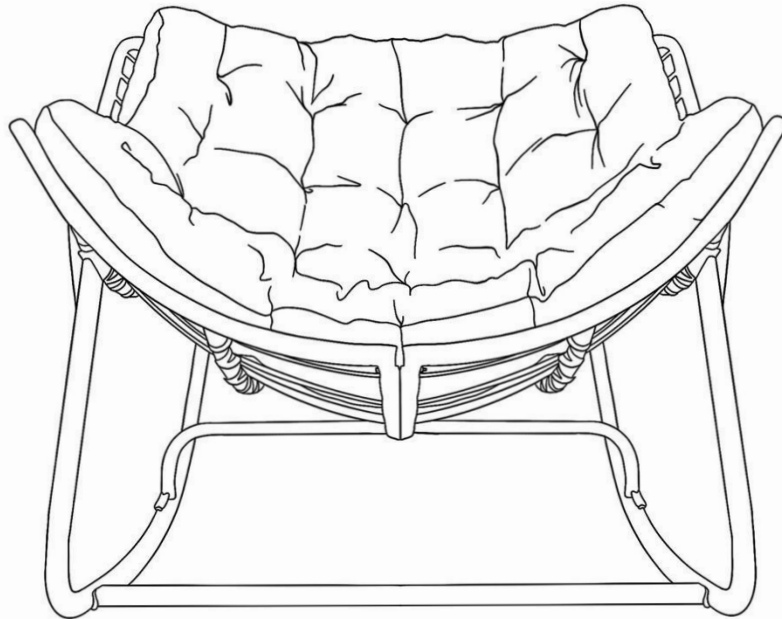
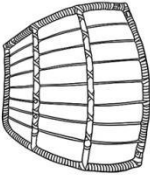
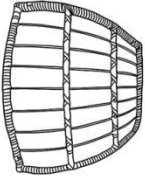





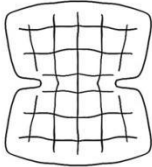
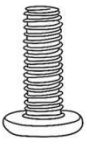
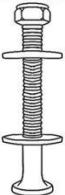

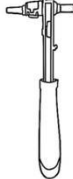




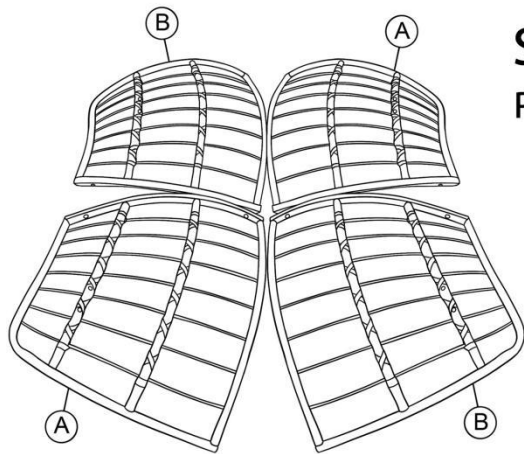
**EASY  
ASSEMBLY**  
Assemble in  
25 minutes  
or less

# Rocking Chair



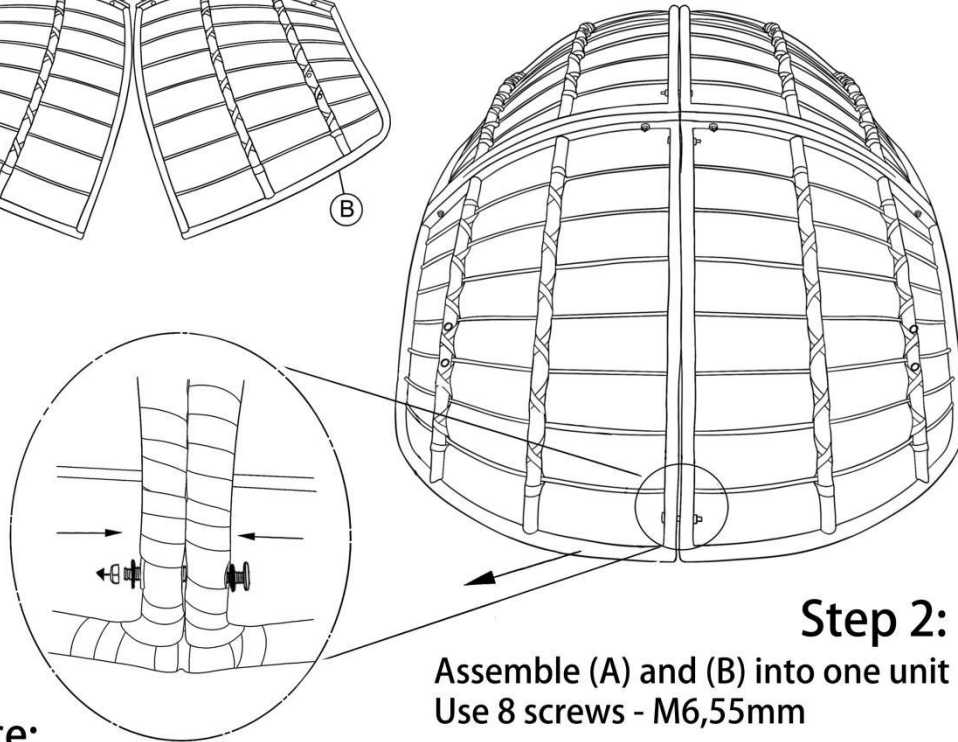
## Accessories List

<b>Accessories</b>								
	A	2	B	2	C	2	D	2
								
	E	1	F	2	G	2	H	1
	<b>Tool</b>							
M6, 16mm		4	M6, 55mm	8	K	1	L	1
				<p><b>Notice:</b> Please check the accessories before installation, if there is any problem, feel free to contact us!</p>				
M	1	M6, 40mm	16					



## Step 1:

Place part (A) and (B) on a soft surface

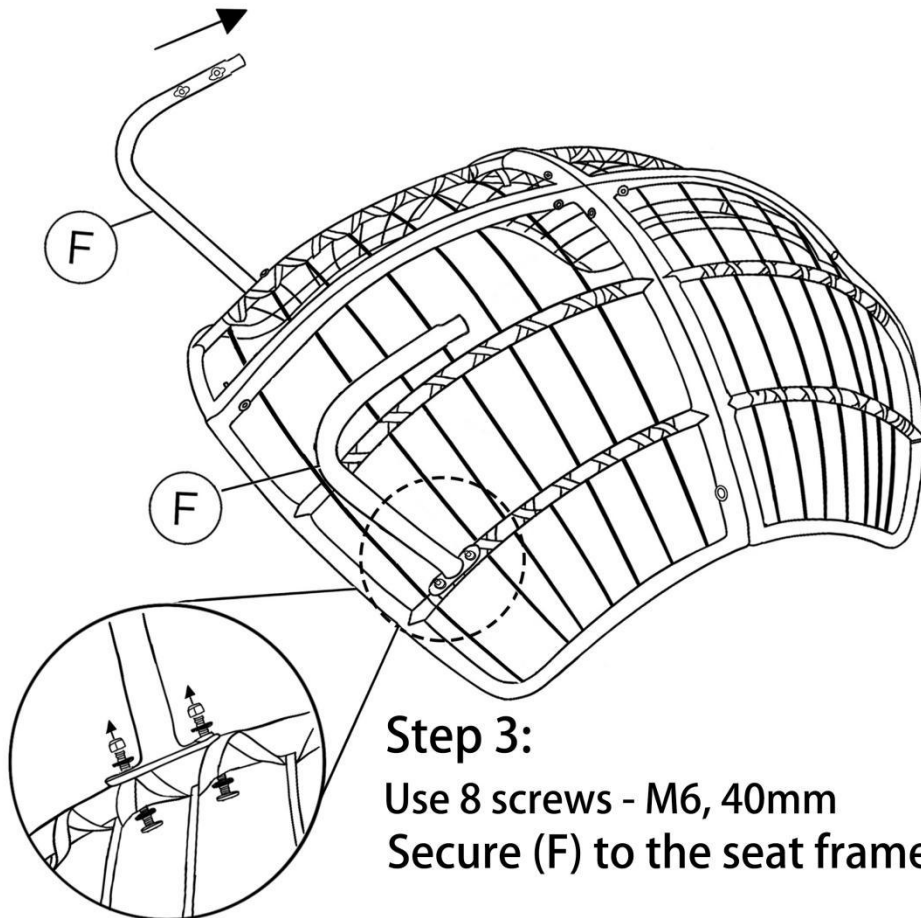


## Step 2:

Assemble (A) and (B) into one unit  
Use 8 screws - M6,55mm

### Notice:

- 1-Please don't tighten all screws completely at beginning!!
- 2-Fully tighten after completing the seat frame!!



### Step 3:

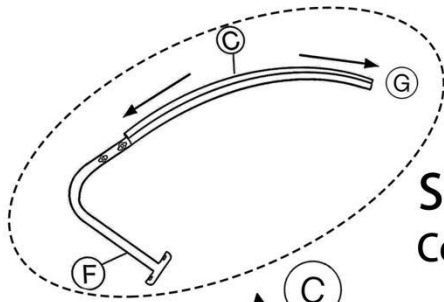
Use 8 screws - M6, 40mm

Secure (F) to the seat frame

### Notice:

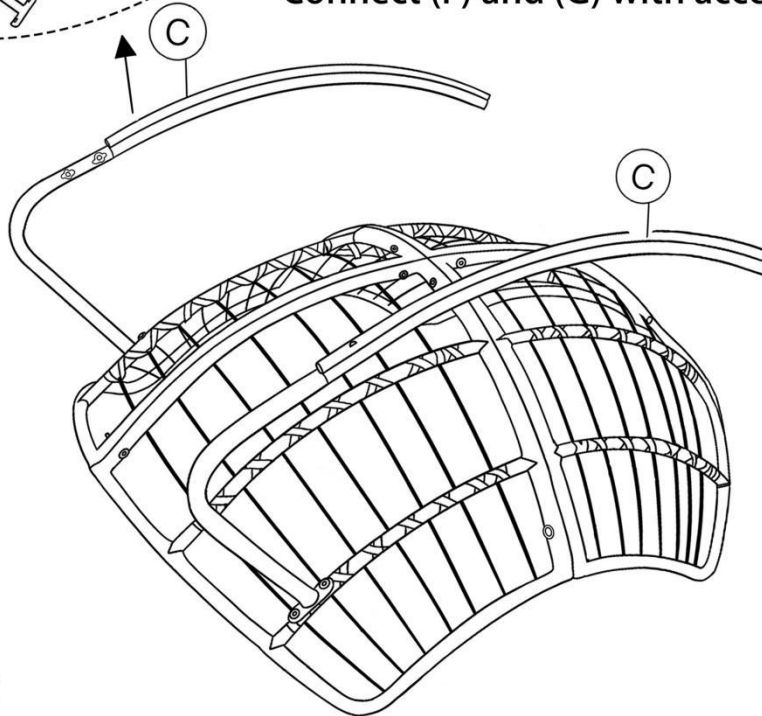
1-Please don't tighten all screws completely at beginning!!

2-Fully tighten after completing the chair legs!!



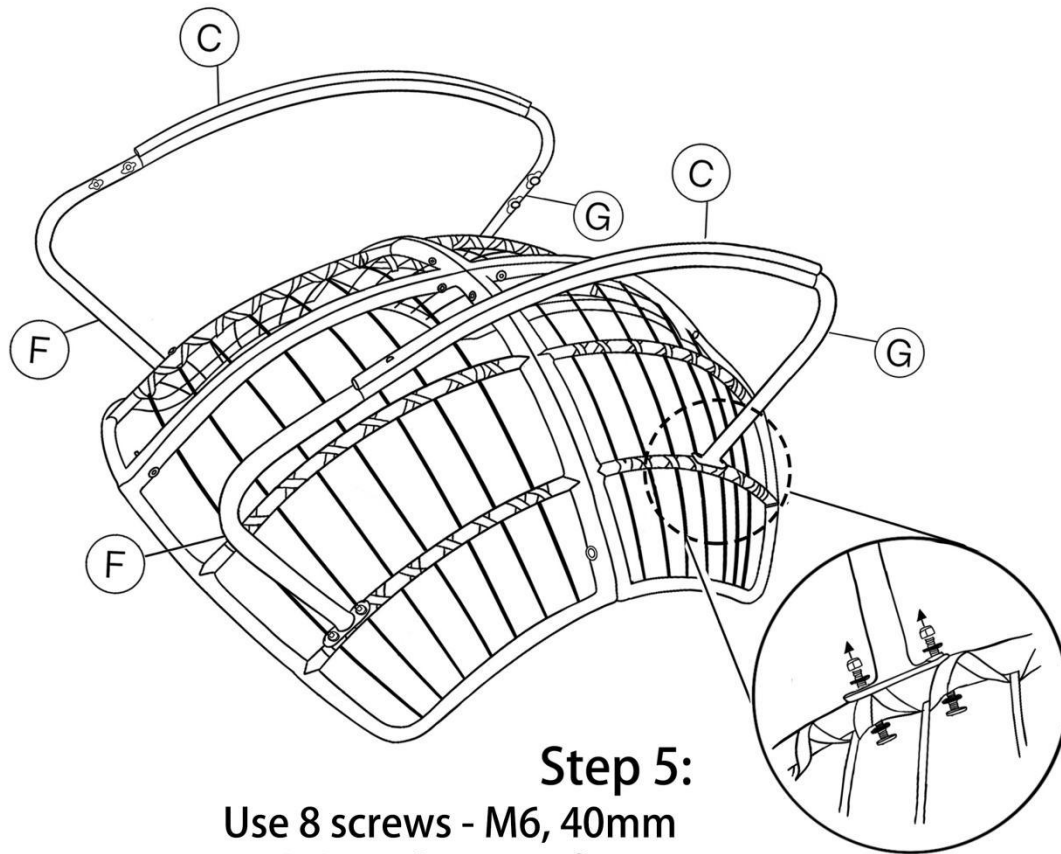
#### Step 4:

Connect (F) and (G) with accessory (C)



#### Notice:

- 1-Please don't tighten all screws completely at beginning!!
- 2-Fully tighten after completing the chair legs!!

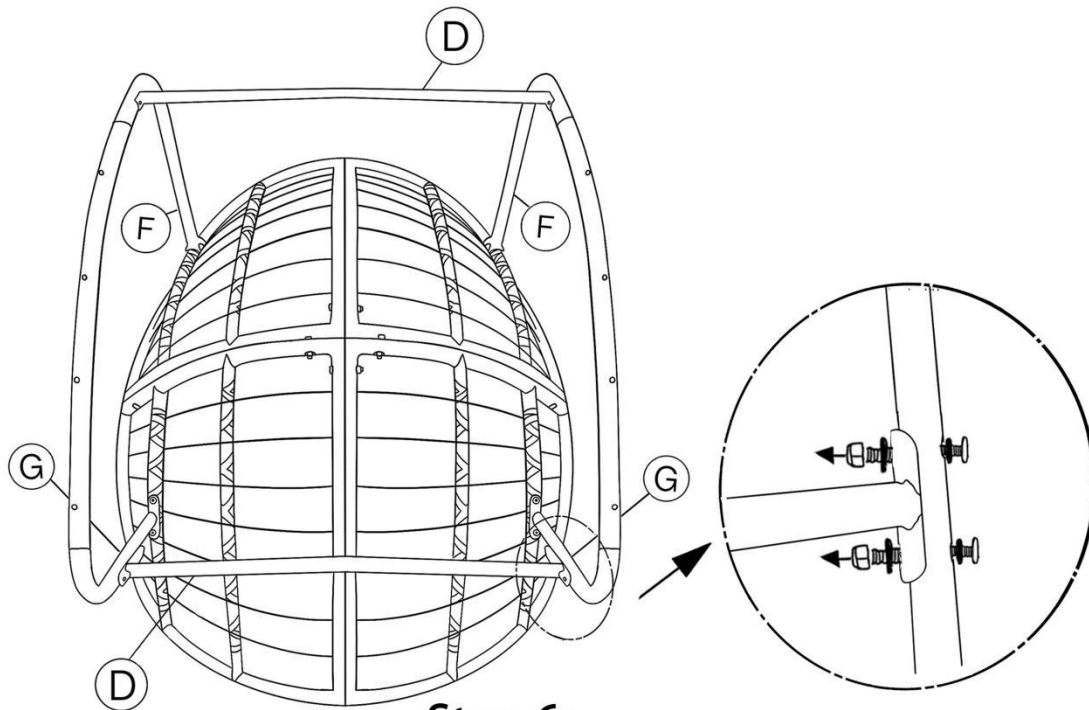


### Step 5:

Use 8 screws - M6, 40mm  
Secure (G) to the seat frame

Notice:

- 1-Please don't tighten all screws completely at beginning!!
- 2-Fully tighten after completing the chair legs!!



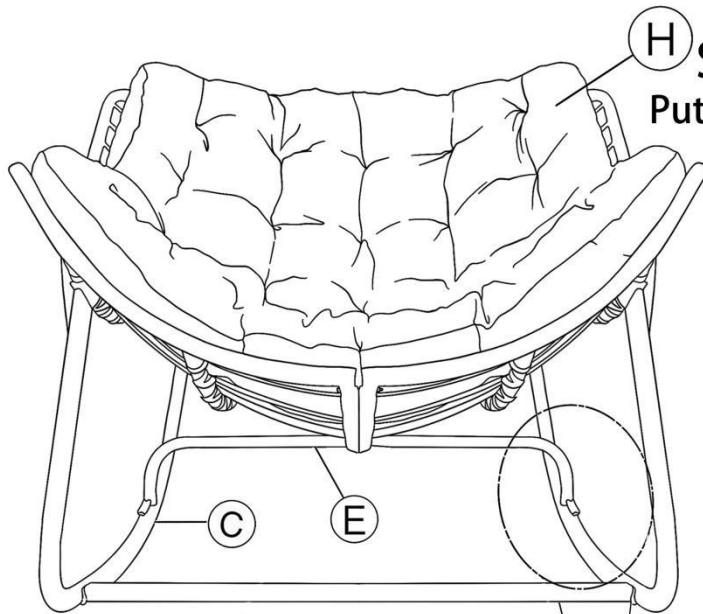
### Step 6:

Aligning two screw holes on (D) and (G),  
Use 8 screws - M6, 40mm

**Install (D) first and (E )last!!**

### Notice:

- 1-Please don't tighten all screws completely at beginning!!
- 2-Fully tighten after completing the chair legs!!



**Step 8:**  
Put on a soft cushion

**Step 7:**  
Using 4 screws - M6, 16mm  
Secure (E) to the (C)

