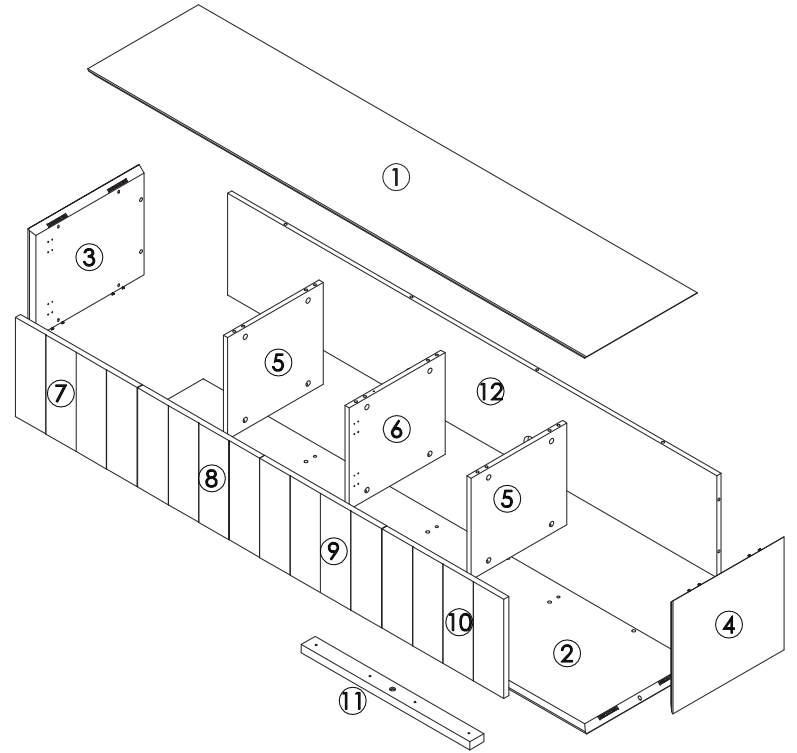
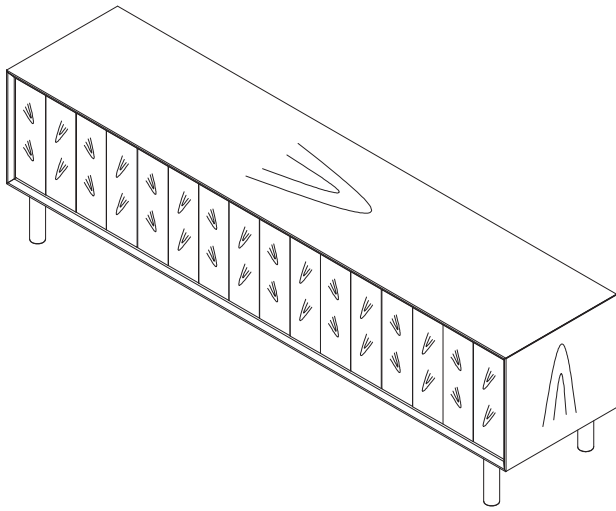





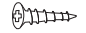


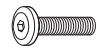


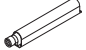


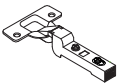
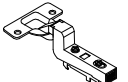





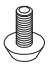


# Assembly Instructions

## KAYLA-85 MEDIA STAND

PLEASE NOTE: Check that you have received all components and hardware before assembling. If you are missing any parts, contact your retailer.



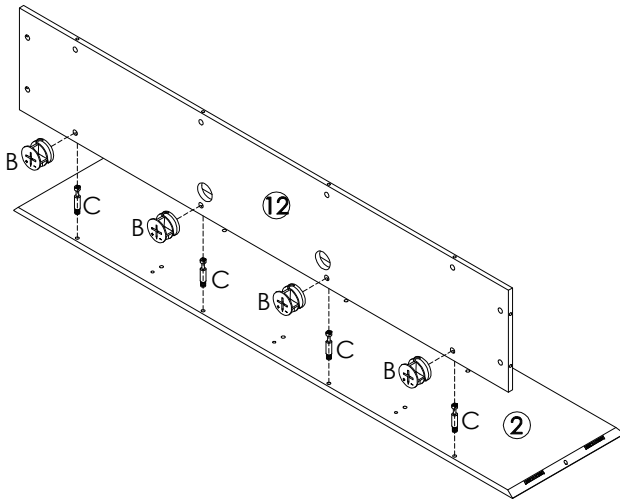
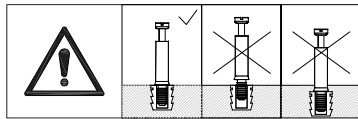
- |   |  |  |   |  |  |   |
|---|--|--|---|--|--|---|
| <br>A (12 pcs)<br>8x35mm | <br>B (24 pcs)<br>15x12mm | <br>C (24 pcs)<br>7x35mm    | <br>D (4 pcs)<br>3x12mm  | <br>E (12 pcs)<br>3.5x12mm    |  |   |
| <br>F (48 pcs)<br>4x15mm | <br>G (4 pcs)<br>4x30mm   | <br>H (1 pc)<br>4x70x50mm   | <br>I (1 pc)<br>6x40mm   | <br>J (2 pcs)<br>6.5x40mm     |  |   |
| <br>K (4 pcs)          | <br>L (4 pcs)           | <br>M (4 pcs)             | <br>N (8 pcs)          | <br>O (4 pcs)               |  |   |
| <br>P (4 pcs)           | <br>Q (4 pcs)<br>25x2mm | <br>R (1 pc)<br>6x10x15mm | <br>S (12 pcs)<br>20mm | <br>T (1 pc)<br>120x25x25mm | <br>U (4 pcs)<br>147x40x400mm | <br>V (1 pc) |

During assembly, hand tighten screws only. When the screws are in place, tighten completely.

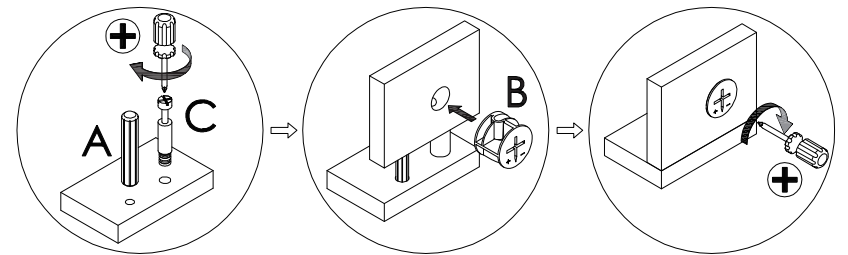
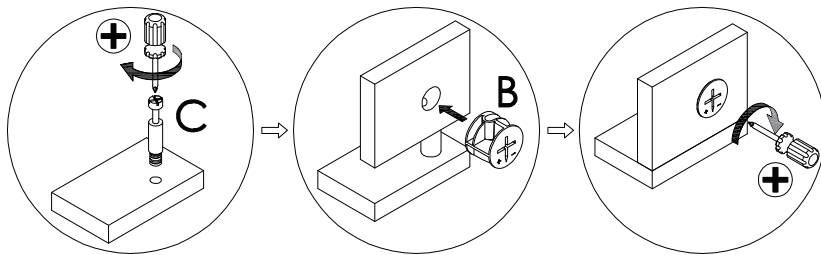
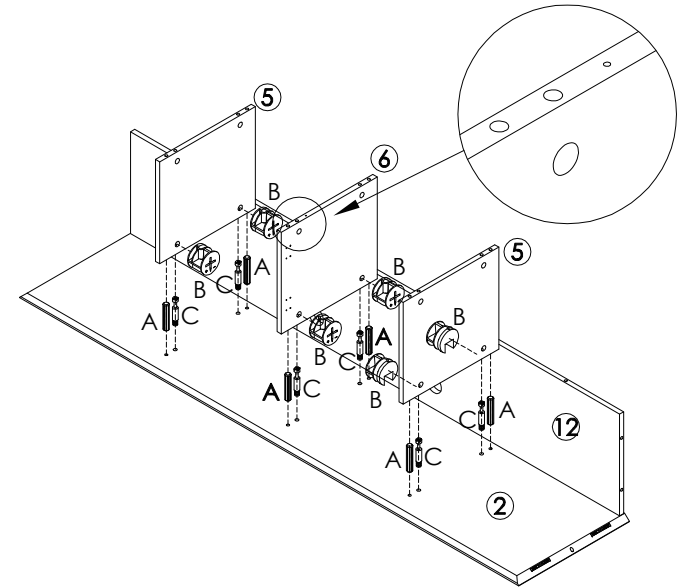
# Assembly Instructions KAYLA-85 MEDIA STAND

PLEASE NOTE: Check that you have received all components and hardware before assembling. If you are missing any parts, contact your retailer.

1



2

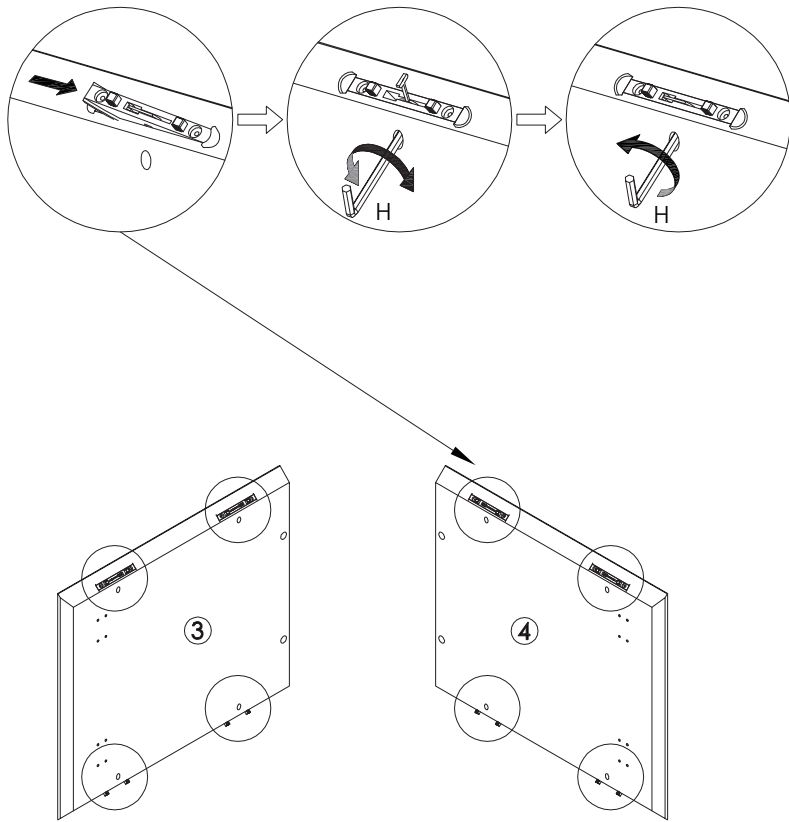


During assembly, hand tighten screws only. When the screws are in place, tighten completely.

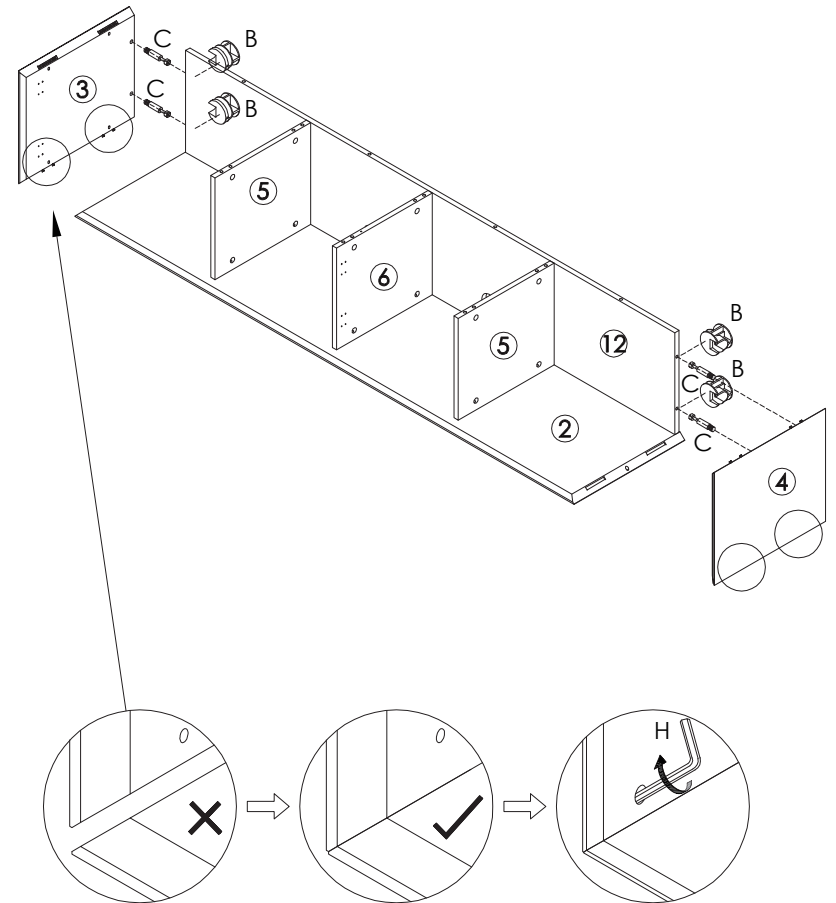
# Assembly Instructions KAYLA-85 MEDIA STAND

PLEASE NOTE: Check that you have received all components and hardware before assembling. If you are missing any parts, contact your retailer.

3



4

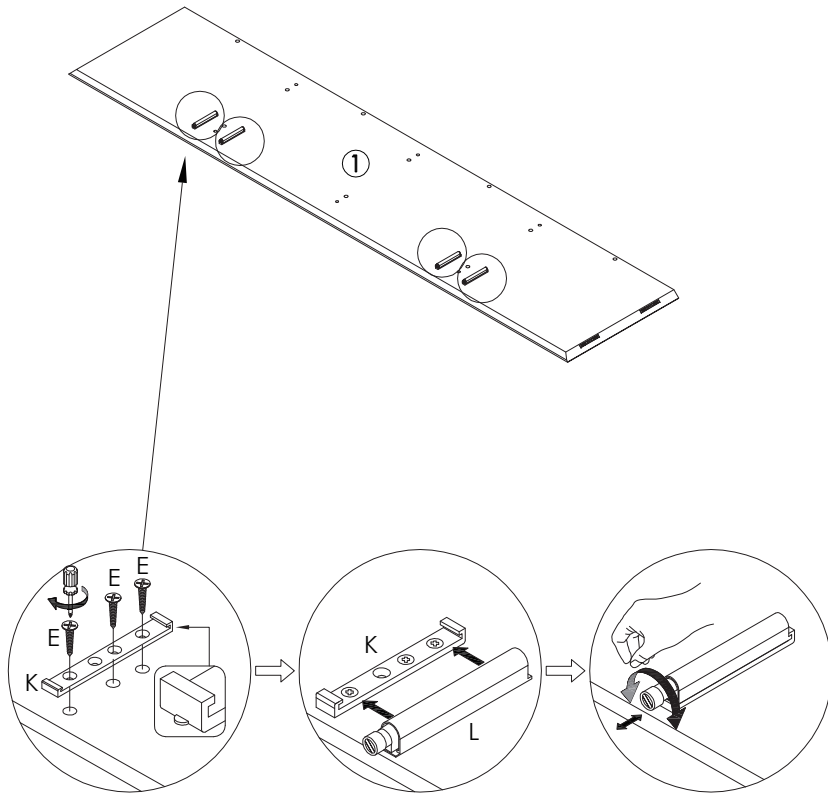


During assembly, hand tighten screws only. When the screws are in place, tighten completely.

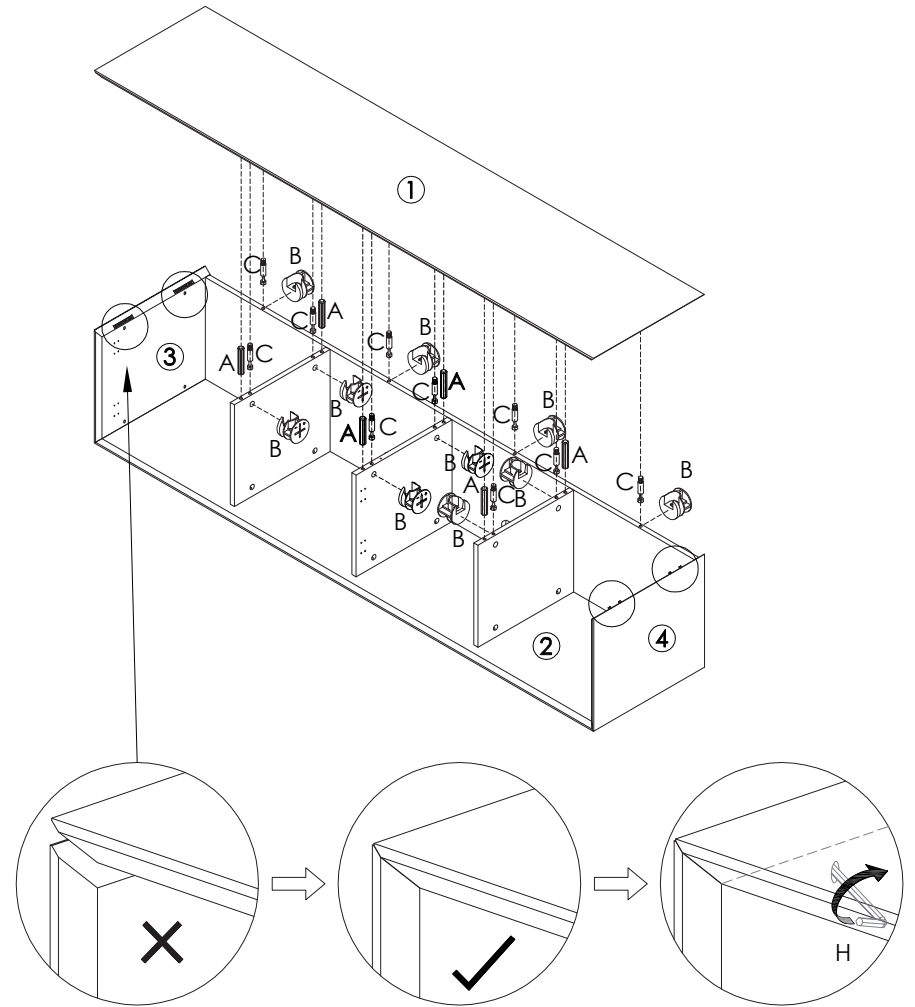
# Assembly Instructions KAYLA-85 MEDIA STAND

PLEASE NOTE: Check that you have received all components and hardware before assembling. If you are missing any parts, contact your retailer.

5



6

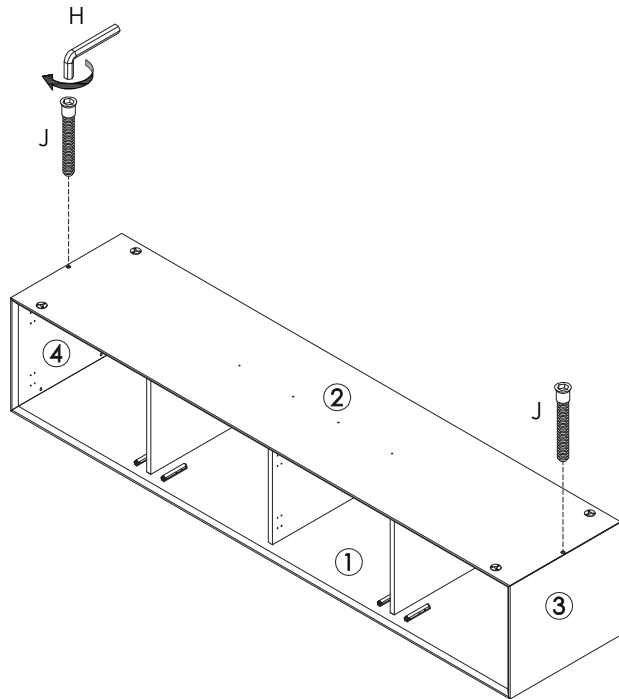


During assembly, hand tighten screws only. When the screws are in place, tighten completely.

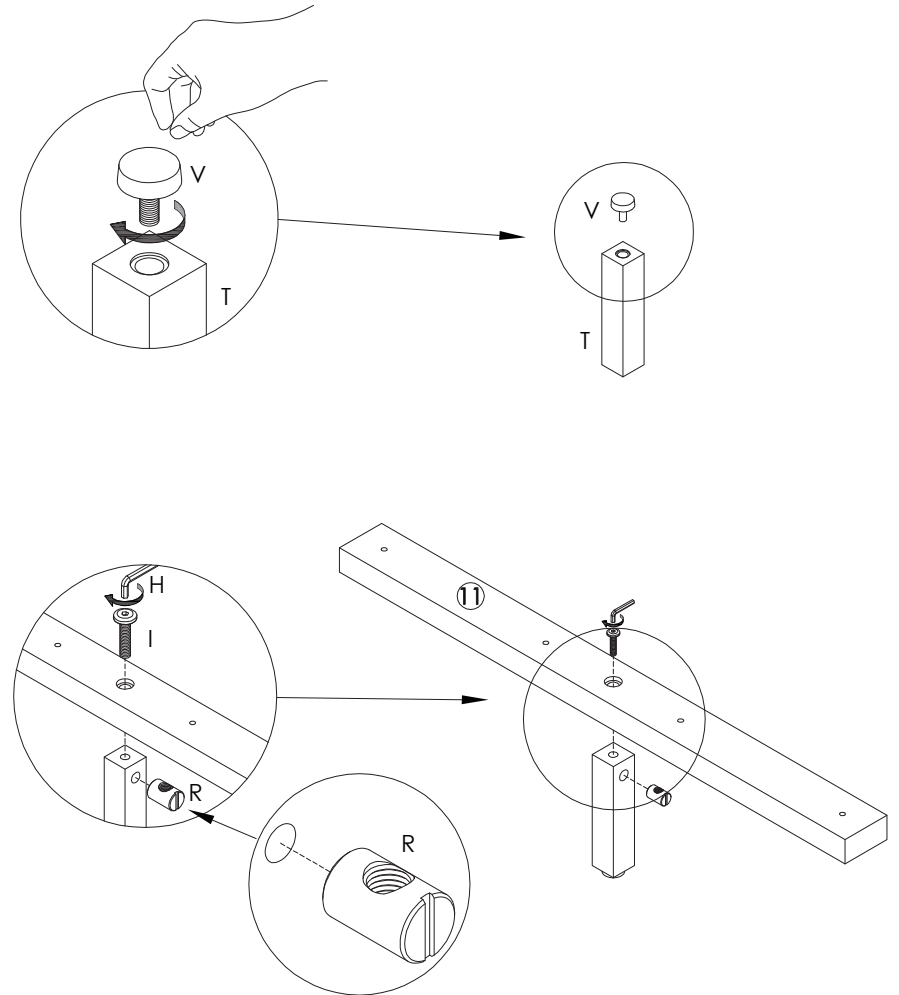
# Assembly Instructions KAYLA-85 MEDIA STAND

PLEASE NOTE: Check that you have received all components and hardware before assembling. If you are missing any parts, contact your retailer.

7



8

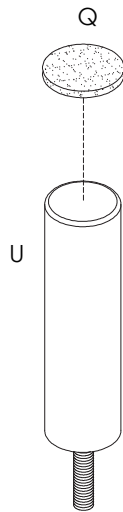


During assembly, hand tighten screws only. When the screws are in place, tighten completely.

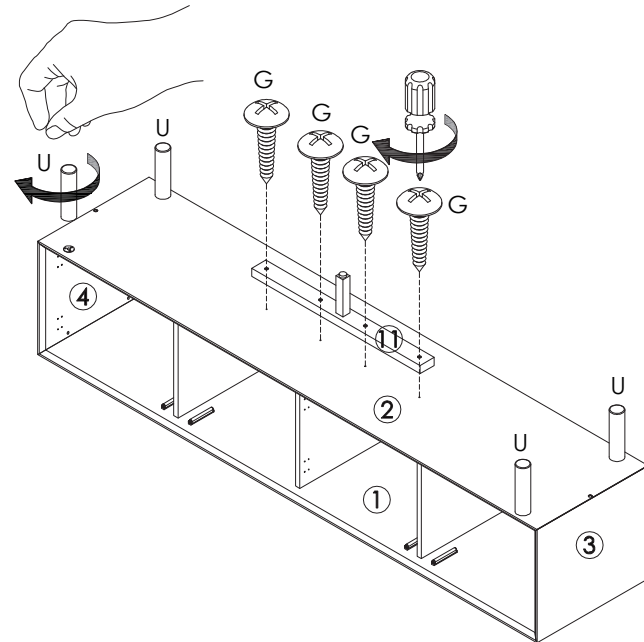
# Assembly Instructions KAYLA-85 MEDIA STAND

PLEASE NOTE: Check that you have received all components and hardware before assembling. If you are missing any parts, contact your retailer.

9



10

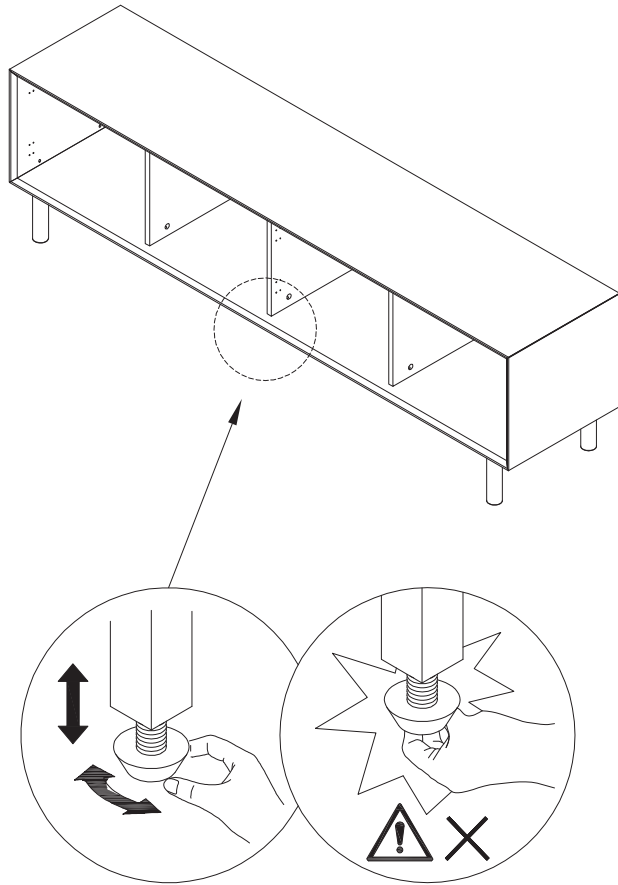


During assembly, hand tighten screws only. When the screws are in place, tighten completely.

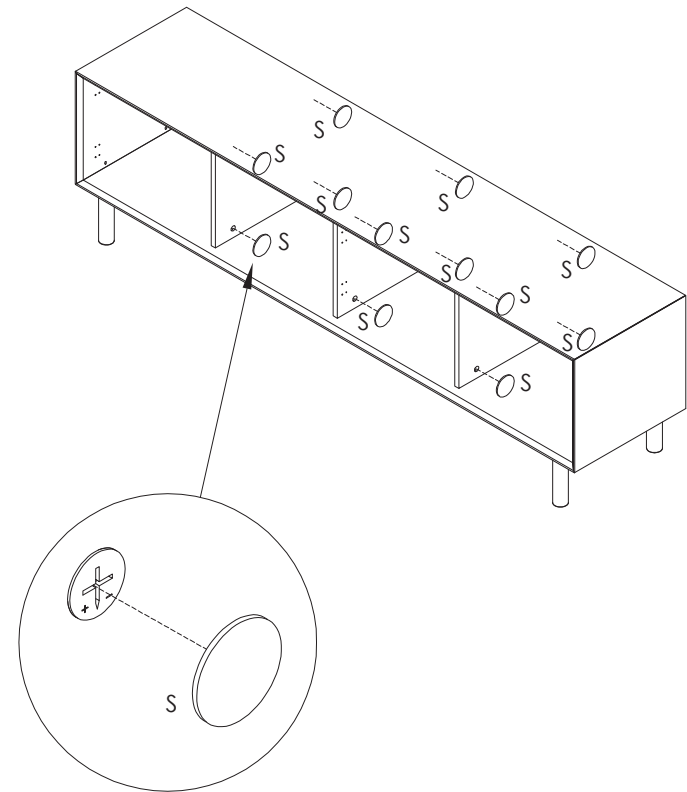
# Assembly Instructions KAYLA-85 MEDIA STAND

PLEASE NOTE: Check that you have received all components and hardware before assembling. If you are missing any parts, contact your retailer.

11



12

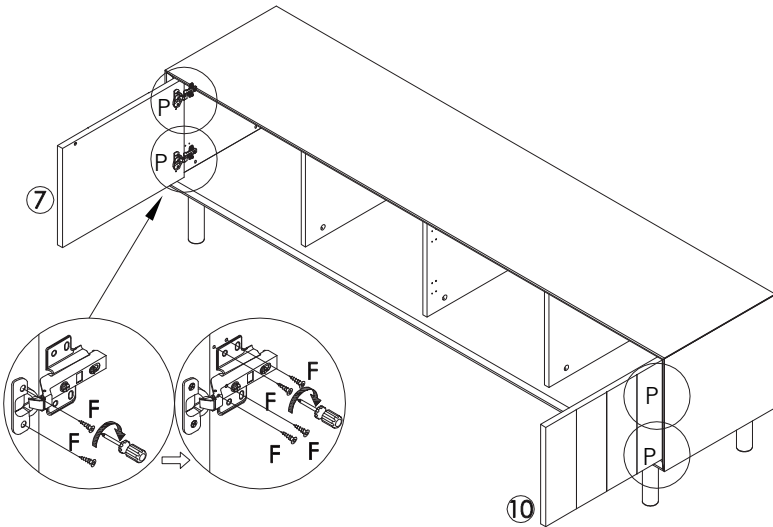
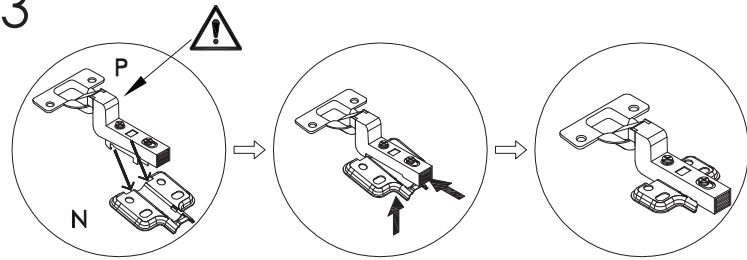


During assembly, hand tighten screws only. When the screws are in place, tighten completely.

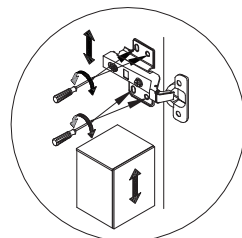
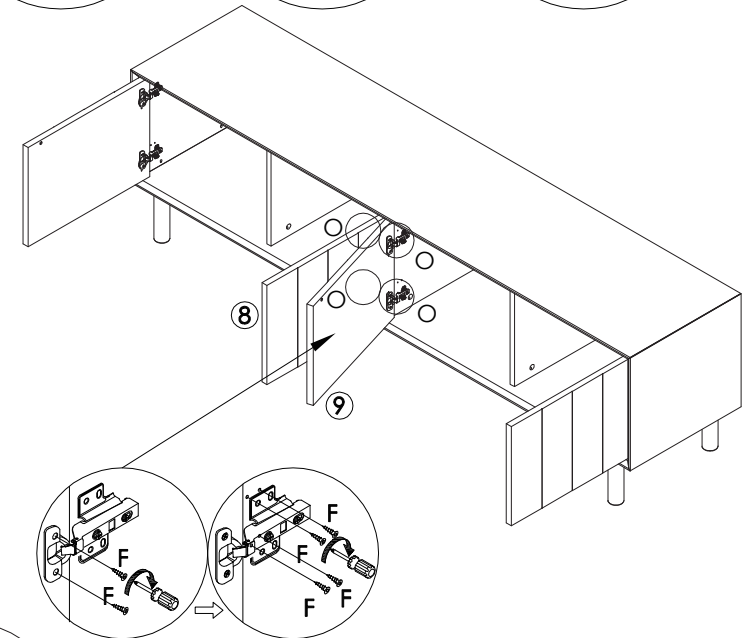
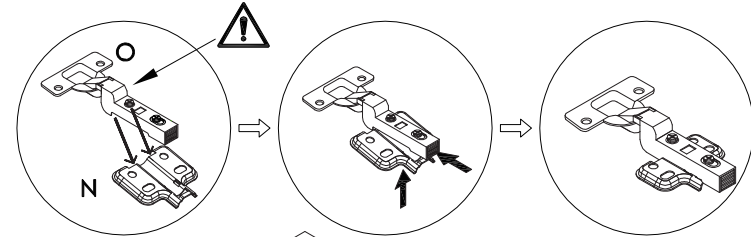
# Assembly Instructions KAYLA-85 MEDIA STAND

PLEASE NOTE: Check that you have received all components and hardware before assembling. If you are missing any parts, contact your retailer.

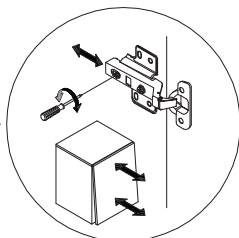
13



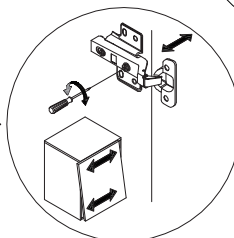
14



How to adjust doors  
up and down.



How to adjust doors  
in and out.



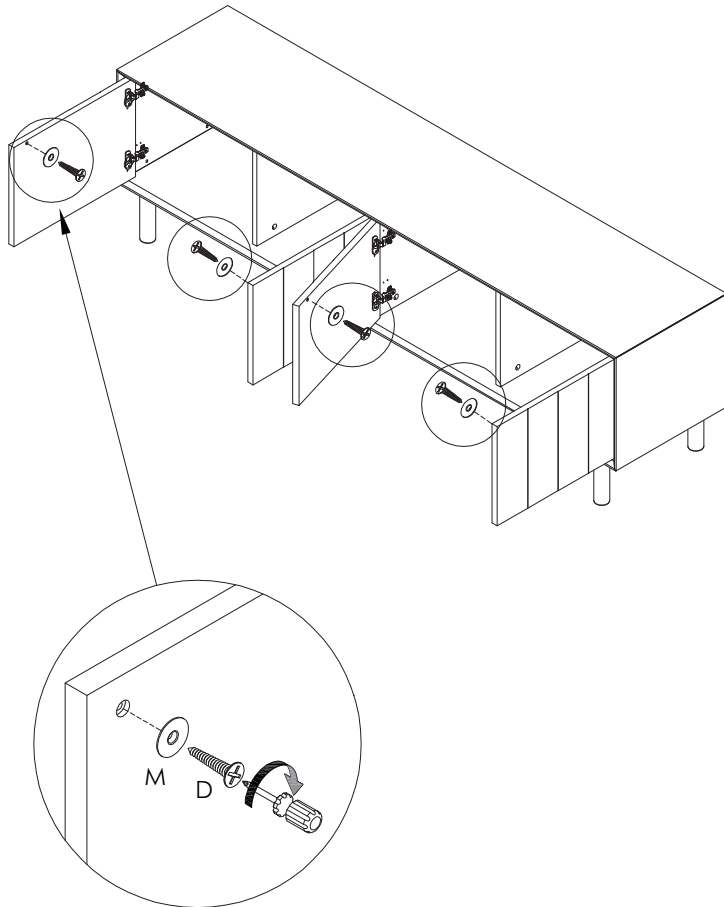
How to adjust doors  
side to side.

During assembly, hand tighten screws only. When the screws are in place, tighten completely.

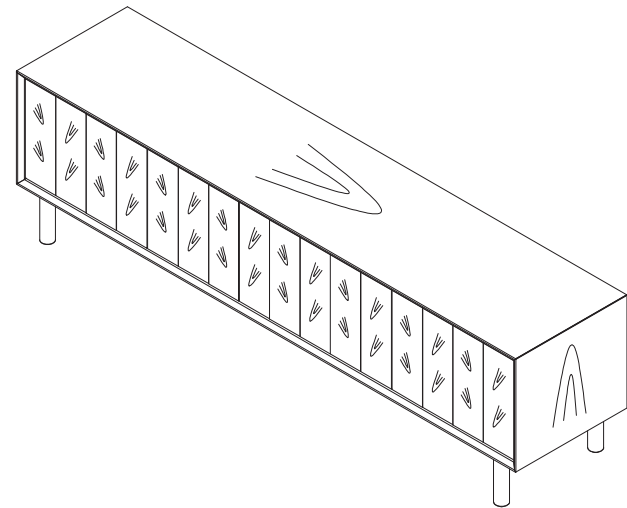
# Assembly Instructions KAYLA-85 MEDIA STAND

PLEASE NOTE: Check that you have received all components and hardware before assembling. If you are missing any parts, contact your retailer.

15



16



During assembly, hand tighten screws only. When the screws are in place, tighten completely.