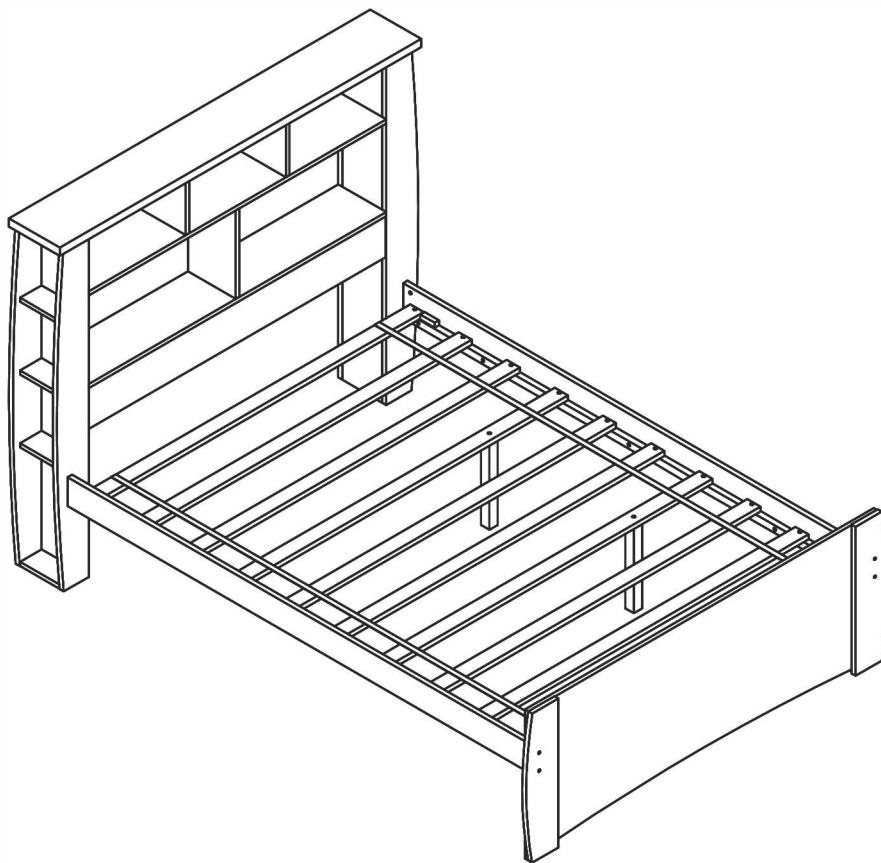


ASSEMBLY INSTRUCTIONS



TOOLS REQUIRED



Allen Wrench

(Included)



Phillips
Screwdriver

(Not Included)



2 - Persons
Recommended

ASSEMBLY RATING



EASY ————— DIFFICULT

The Assembly Rating is a 5-point system showing the level of effort needed to assemble a specific product.



CHECK BEFORE STARTING

Are you missing anything?

Double-check all parts, hardware and accessories listed on Page 6 are accounted for.

Should we send any replacements?

Are there any irregularities or flaws in the parts? We can send replacements!

Check out our Quick Tips!

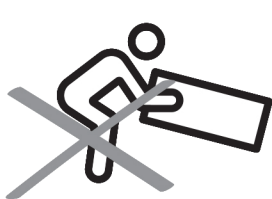
We recommend reviewing the pre-assembly handouts. Even experts need a refresher now and then!

Prep Time!

Please review the assembly instructions and all diagrams prior to assembling. Arrange parts as recommended on Page 7 and group identical hardware together to make assembling easier.

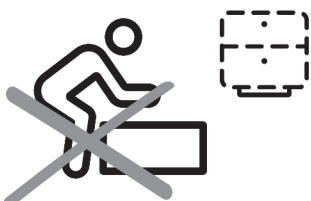
PRE ASSEMBLY INTRODUCTION

We understand building ready-to-assemble furniture can be a challenging experience for some. To help avoid confusion, we have provided some helpful tips that may speed up the process.



Teamwork

ALWAYS have at least two people to help with transporting and assembling the product to avoid potential injury and/or damage.



Suitable Location

Assembling near the area of the intended location is highly recommended.



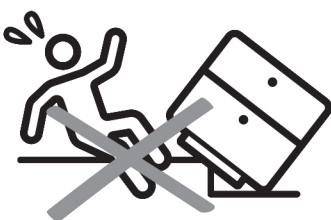
Sufficient Space

Make sure you have enough space to move around during the assembly.



Avoid Scratches

Use cardboard, blankets or a carpeted area while assembling furniture to prevent scratches.



Flat Surface

Make sure the furniture rests on a flat and level surface with each leg evenly touching the floor.

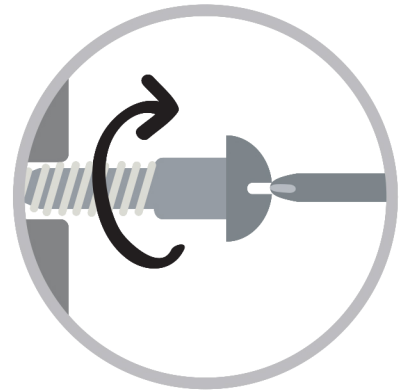
ASSEMBLY AND CARE ADVICE



FAILURE TO FOLLOW THE GUIDELINES BELOW MAY RESULT IN INJURY AND/OR PROPERTY DAMAGE.



Position each part correctly and insert screws or bolts into their respective holes.



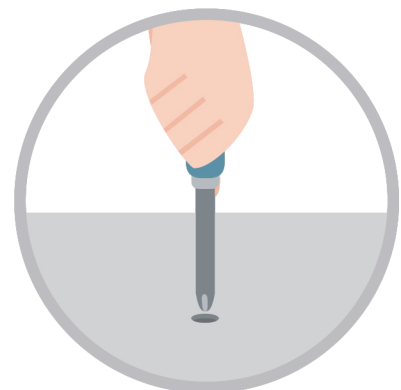
Turn clockwise to tighten and only tighten when step is completed or when instructed to do so.



Use the appropriate hand tools or power tools for assembly. Select steps, such as tightening screws and/or bolts, may require hand tools to avoid causing damage during assembly.



Save the instructions and store any supplied tools for later maintenance.



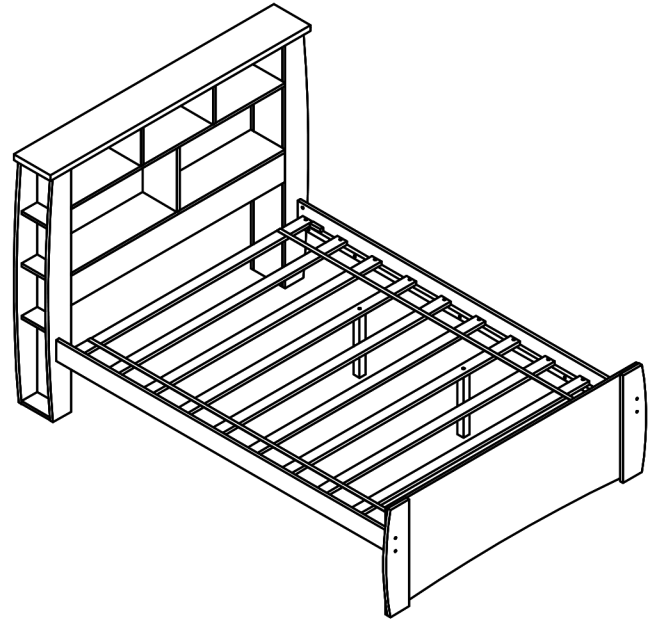
After two weeks, check and tighten any loose hardware and repeat again every six months thereafter.

IT IS THE USER'S RESPONSIBILITY TO MAINTAIN THE FURNITURE. THE HARDWARE MAY LOOSEN OVER TIME AND MAY CAUSE THE FURNITURE TO BE WOBBLY AND UNABLE TO SUPPORT ITS INTENDED WEIGHT CAPACITY. THIS MAY LEAD TO COLLAPSE AND MAY CAUSE SERIOUS INJURY.

BED

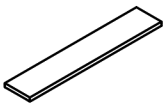


- Please keep instructions for future reference.
- Check the quantity and irregularity of parts and hardware before you start.



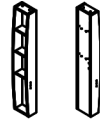
PARTS

#1 1pc



HB Top Panel

#2 2pcs



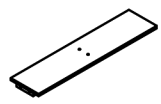
HB Leg (L&R)

#3 2pcs



Bottom shelf

#4 1pc



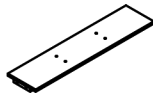
Middle shelf

#5 1pc



Bottom erect panel

#6 1pc



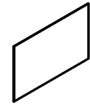
Upper shelf

#7 2pcs



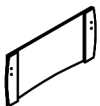
Upper erect panel

#8 1pc



Back panel

#9 1pc



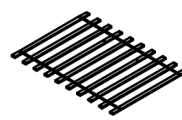
Footboard panel

#10 2pcs



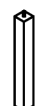
Side rails

#11 1set



Slat (10pcs)

#12 2pcs



Support Leg
315 x 35 x 35mm

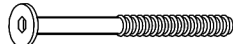
HARDWARE

#A 22pcs



Dowel Ø8 x 30mm

#B 8pcs



Bolt Ø1/4" x 2-3/4"

#C 25pcs



Bolt Ø1/4" x 1-3/16"

#D 8pcs



Barrel Nut Ø1/4"

#E 20pcs



Screw #8 x 30mm

#F 30pcs

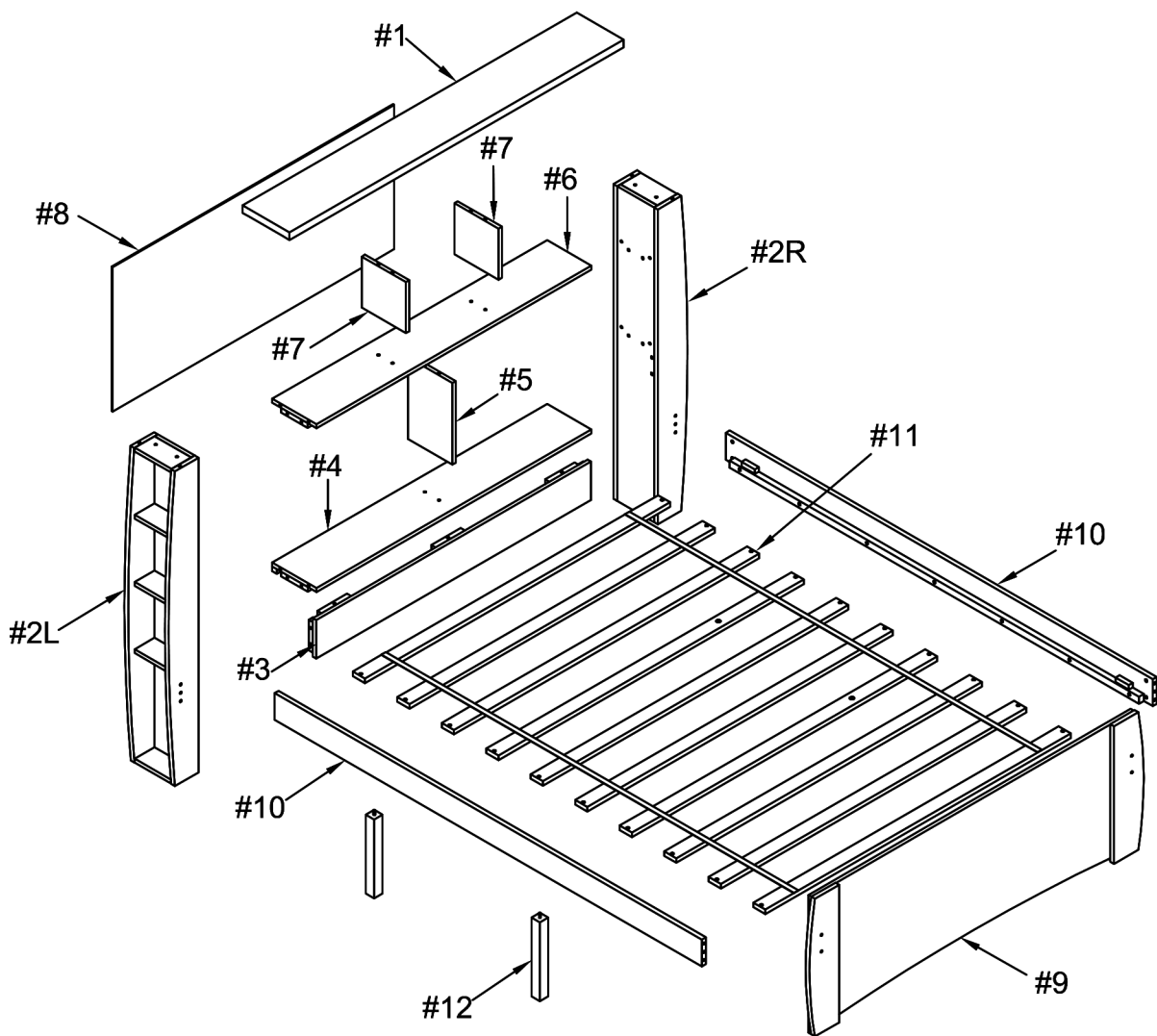


Screw #8 x 15mm

#G 1pc



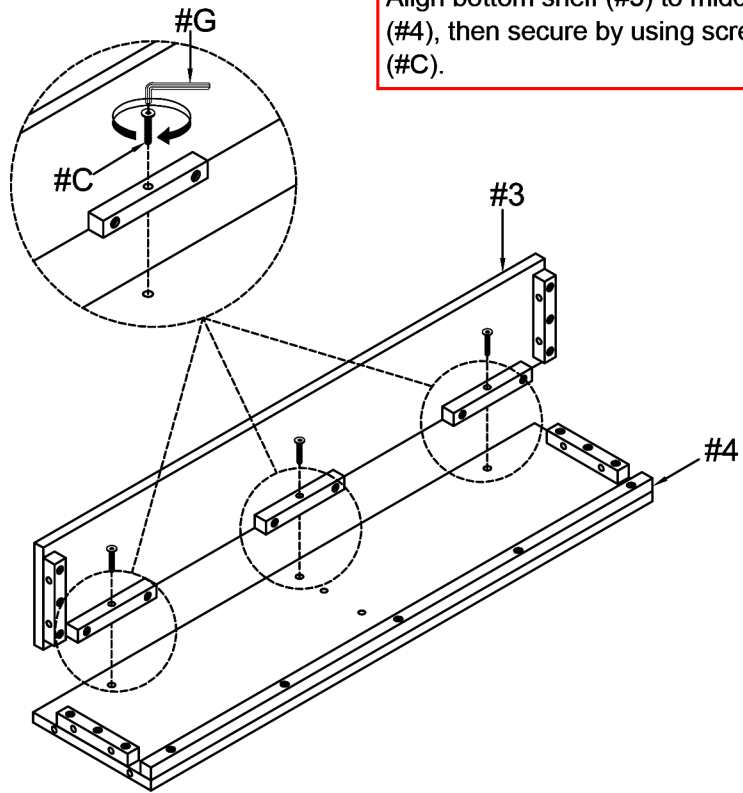
Allen Wrench M4



ASSEMBLY INSTRUCTIONS

1

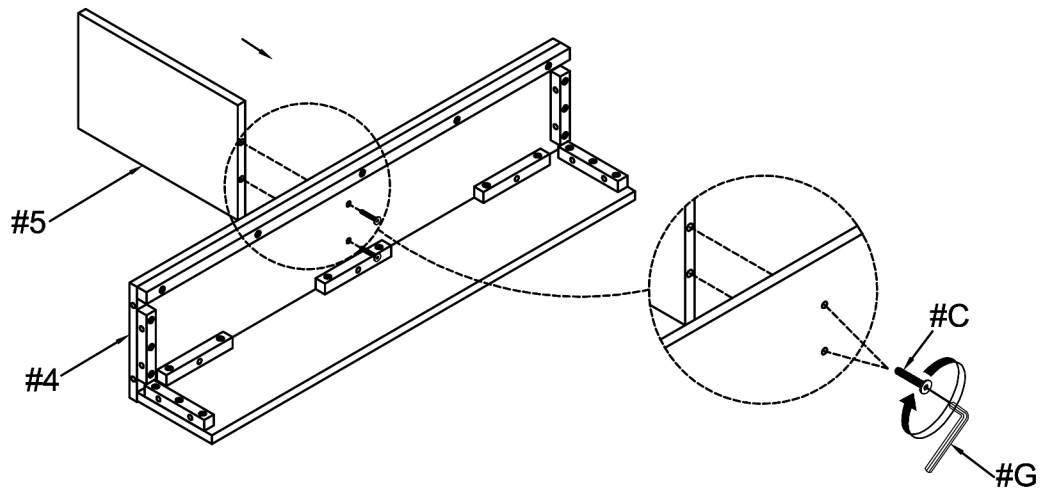
Part #3 x1pc
Part #4 x1pc
Hardware #C x3pcs



Align bottom shelf (#3) to middle shelf (#4), then secure by using screws (#C).

2

Part #5 x1pc
Hardware #C x2pcs



Align bottom panel (#5) to the middle shelf (#4), then secure by using colts (#C).

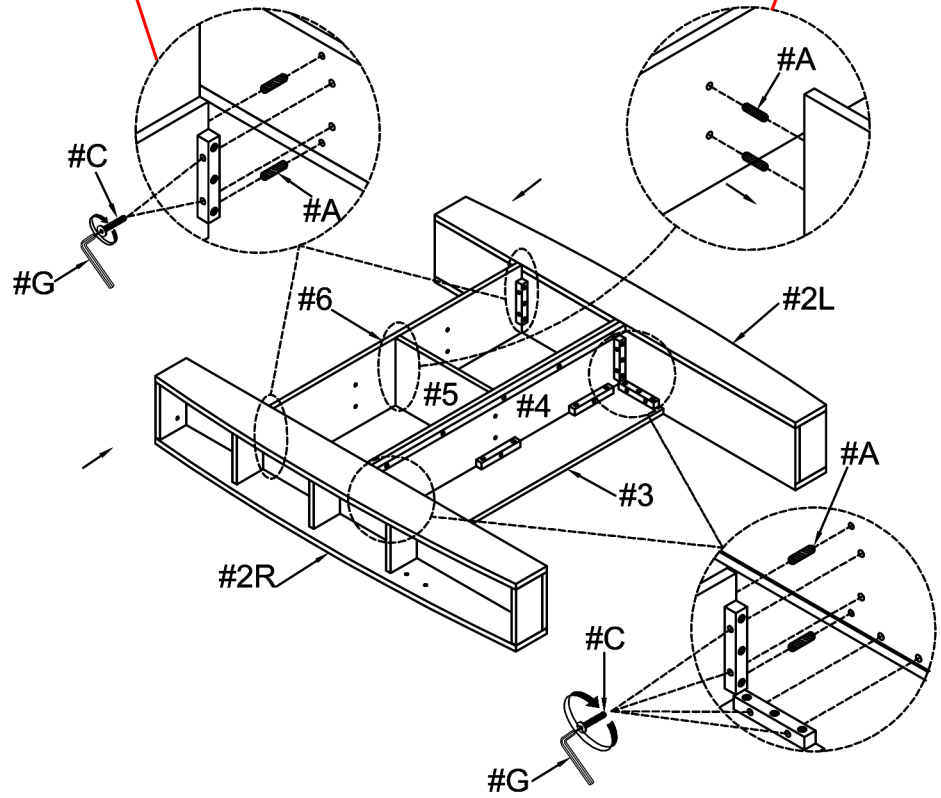
ASSEMBLY INSTRUCTIONS

3

- Part #2 x2pcs
- Part #6 x1pc
- Hardware #A x10pcs
- Hardware #C x12pcs

2) Insert dowels (#A) to HB legs (#2R/L). Align shelves to the HB legs (#2R/L), then secure by using bolts (#C).

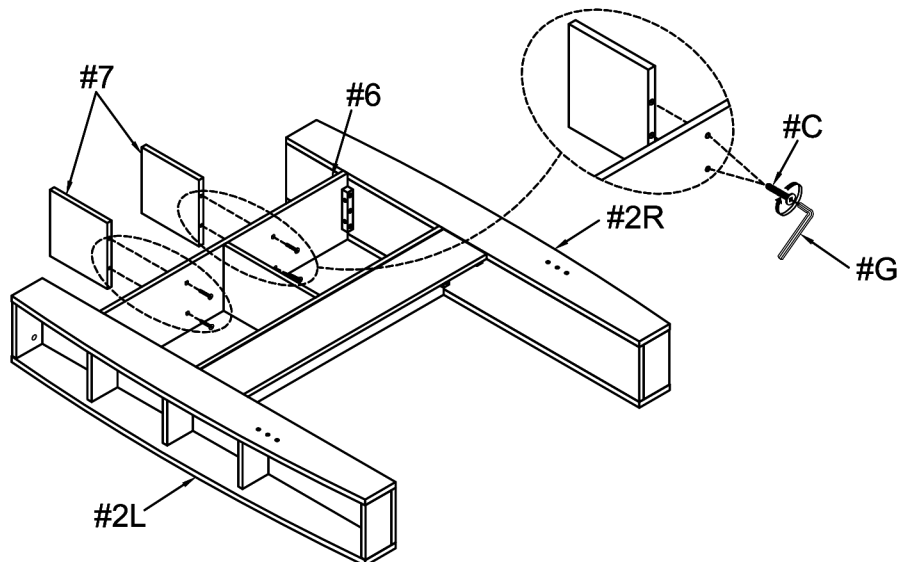
1) Insert dowels (#A) to bottom panel (#5), then align upper shelf (#6) to bottom panel (#5).



4

- Part #7 x2pcs
- Hardware #C x4pcs

Align upper panels (#7) to upper shelf (#6), then secure by using bolts (#C).

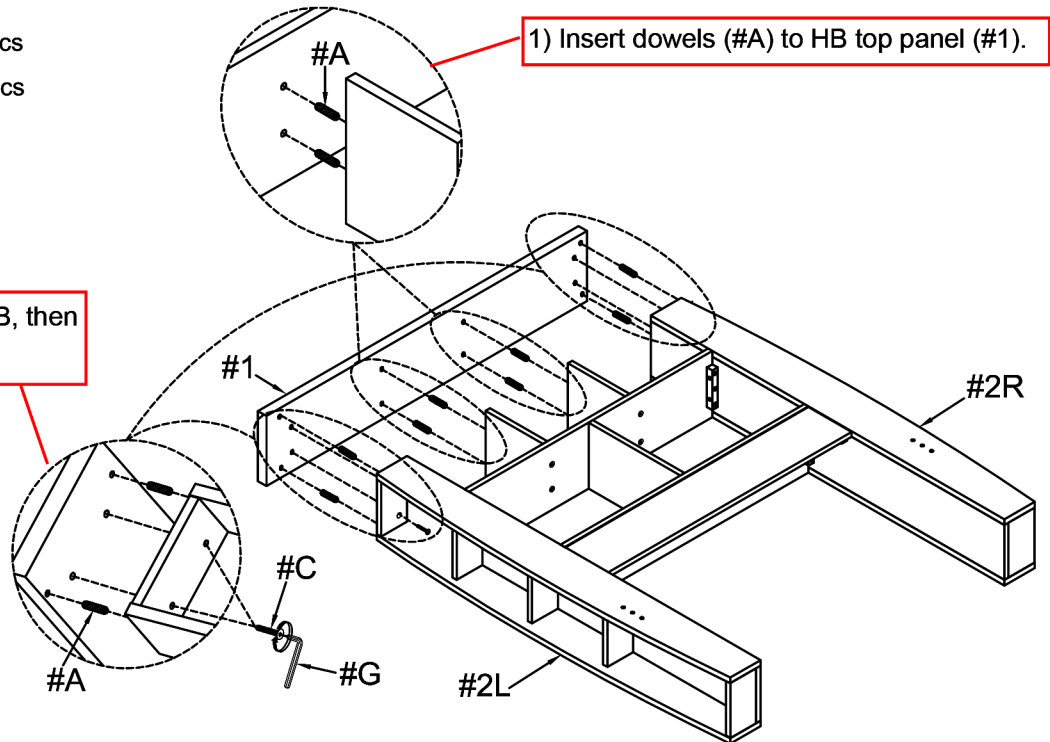


ASSEMBLY INSTRUCTIONS

5

Part #1 x1pc
Hardware #A x8pcs
Hardware #C x4pcs

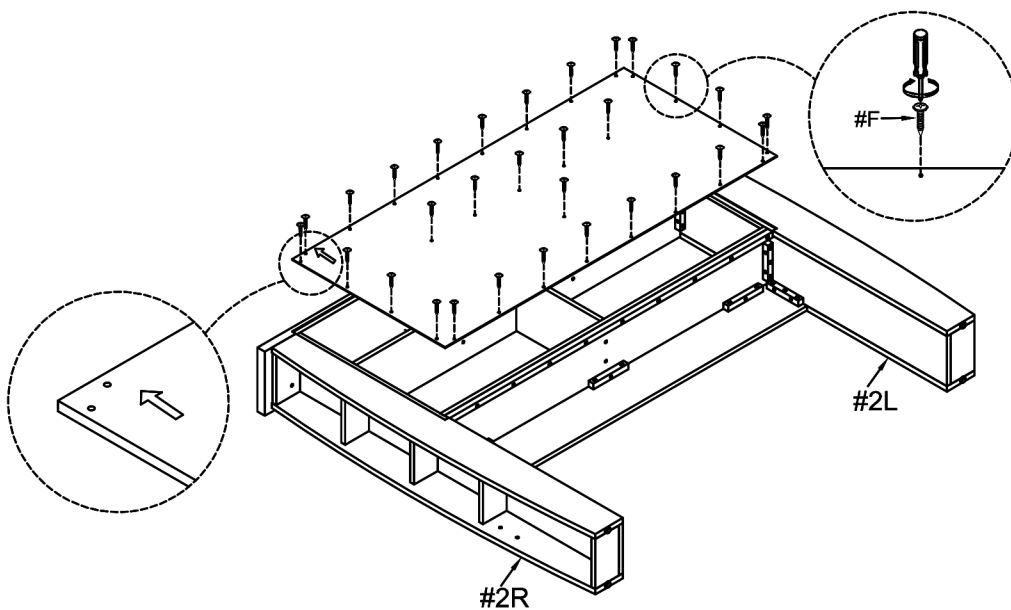
2) Align top panel (#1) to HB, then secure by using bolts (#C).



6

Part #8 x1pc
Hardware #F x30pcs

Align back panel (#8) to HB, then secure by using screws (#F).

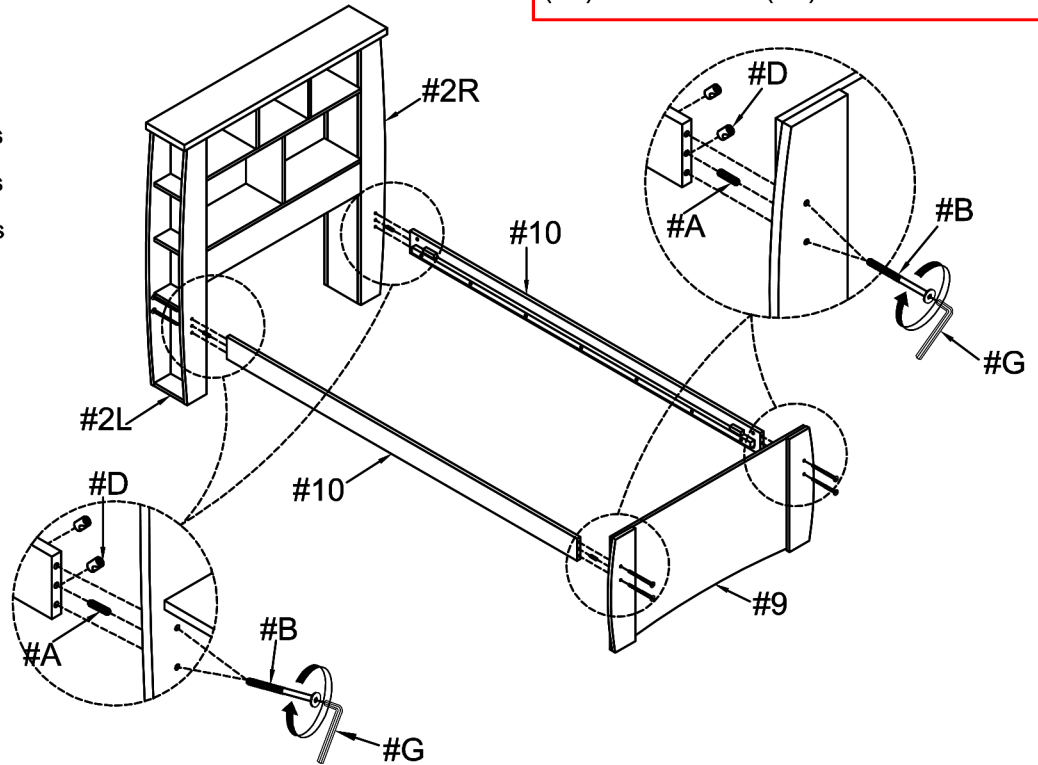


ASSEMBLY INSTRUCTIONS

7

- Part #9 x1pc
- Part #10 x2pcs
- Hardware #A x4pcs
- Hardware #B x8pcs
- Hardware #D x8pcs

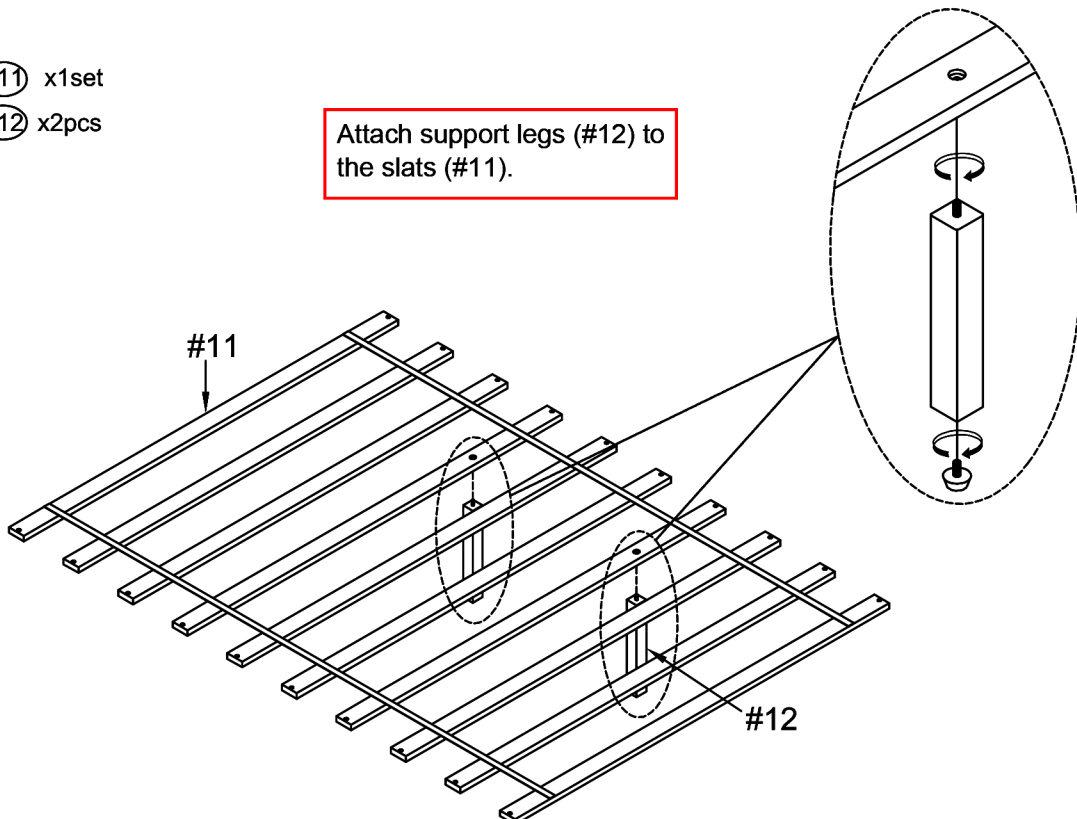
Insert dowels (#A) to side rails (#10), then align side rails (#10) to footboard (#9) and headboard (#2R/L). Secure by using bolts (#B) to barrel nuts (#D).



8

- Part #11 x1set
- Part #12 x2pcs

Attach support legs (#12) to the slats (#11).

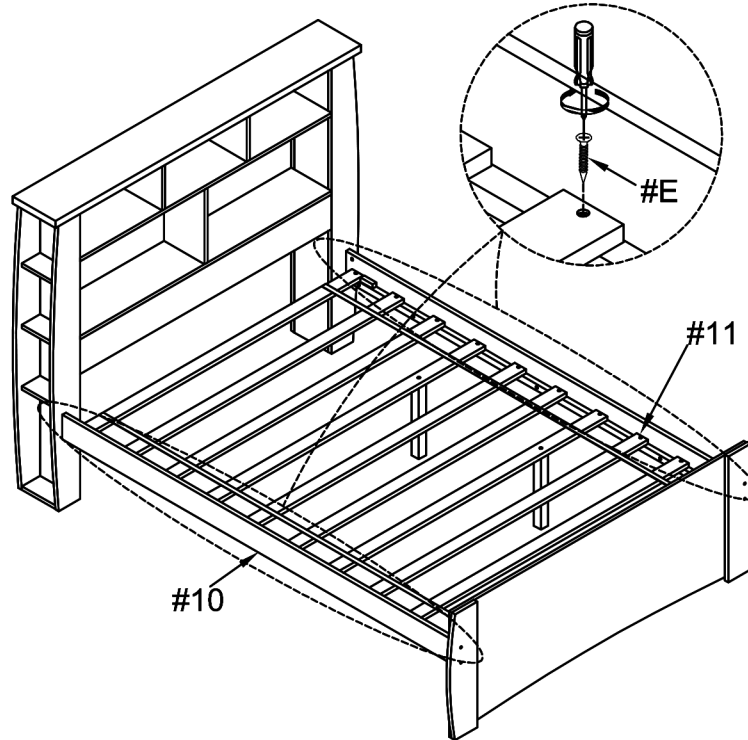


ASSEMBLY INSTRUCTIONS

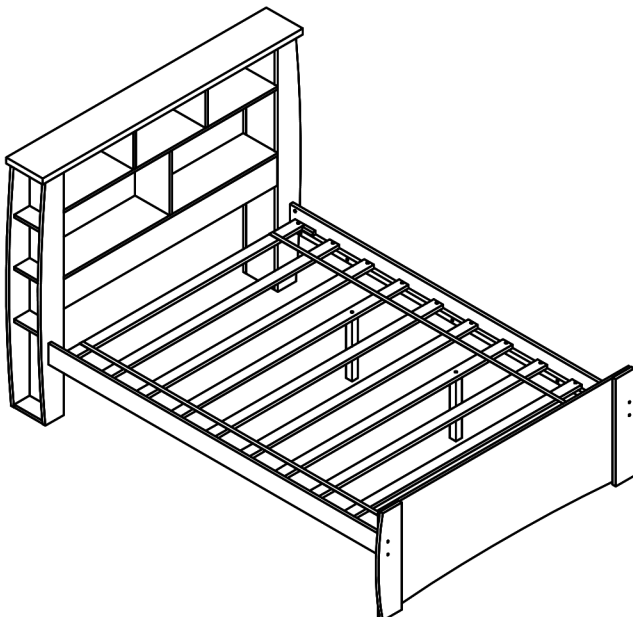
9

Hardware  #E x20pcs

Align slats (#11) to rails (#10), then secure by using screws (#E).



10



ASSEMBLY COMPLETED



Please ensure the furniture rests on an even and flat surface. If the product wobbles or feels loose, double-check all bolts and/or screws are properly tightened and secured.



Keep this handy!

Please retain this instruction manual and any order-related information for future reference.