




# PASSWORD AND FINGERPRINT SETUP INSTRUCTIONS

## SAFE OPERATION MANUAL


### **\*\*IV. Opening the Door:\*\***

1. **\*\*Password Unlock\*\***: Touch the keypad area to wake the system. Enter a 1-8-digit correct password and press “#” to confirm (automatically confirmed after 8 digits). A voice prompt confirms the password is correct, and the light  illuminates to unlock. During input, press “\*” once to clear all entered digits.
2. **\*\*Fingerprint Unlock\*\***: Place your finger on the fingerprint window. The fingerprint light will activate, and a voice prompt confirms a correct match. The light  illuminates to unlock.
3. **\*\*Fingerprint + Password Unlock\*\***: If set to "password + fingerprint" mode, either the password or fingerprint can be entered first. If both are correct, a voice prompt confirms success, and the light  illuminates to unlock.
4. **\*\*Error Handling\*\***: Incorrect fingerprint or password triggers an error sound and light. Retry up to three times. After three consecutive errors, the alarm sounds for 20 seconds. During the alarm, entering the correct fingerprint/password stops the alarm and unlocks. \*Note\*: If no fingerprint is registered, any fingerprint will be accepted as valid.
5. **\*\*Post-Unlock\*\***: The light stays on for 20 seconds after unlocking.

### **\*\*V. Vibration Alarm:\*\***

1. **\*\*Activation\*\***: Touch the keypad to wake the system and press “#” directly (before entering a password) to activate vibration alert mode.
2. **\*\*Alternative Activation\*\***: Briefly touch the fingerprint window without inputting a fingerprint or input an incorrect fingerprint until the system times out. This triggers vibration alert mode.
3. **\*\*Alarm Trigger\*\***: During sleep or operation mode, any physical vibration to the safe triggers a 20-second alarm. Enter the correct fingerprint/password during the alarm to stop it and unlock.
4. **\*\*Deactivation\*\***: Correctly entering a fingerprint or password during normal unlocking cancels the alert state.

### **\*\*VI. Low Battery Warning:\*\***

When the battery voltage drops below 4.8V, the indicator light  flashes during operation, and a low-voltage warning sound plays after completing any action. Replace the battery promptly.

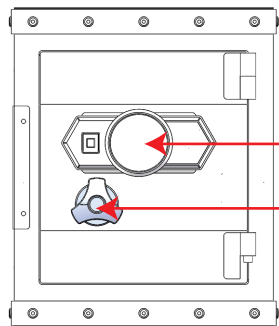
### **\*\*VII. Technical Specifications:\*\***

1. Operating Voltage: 4.2V–6.8V
2. Operating Current: <380mA
3. Low-Voltage Threshold: 4.8V ±0.2V
4. Standby Current: <50µA

# SAFE BOX UESR MANUAL

## MODEL:HS52

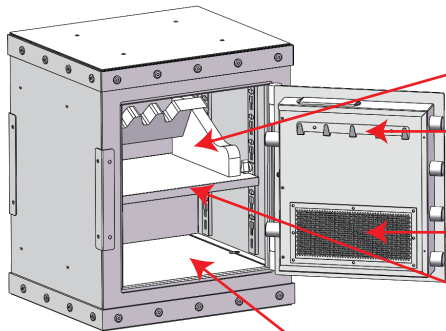
# SAFE BOX USER MANUAL DEMONSTRATION OF DOOR OPERATION



Closing State

Fingerprint Panel Lock

Trident Handle



Opening State

Gun Stock

Key Hook

Mesh Bag

Partition

Secret  
Compartment Cover




# PASSWORD AND FINGERPRINT SETUP INSTRUCTIONS

## SAFE OPERATION MANUAL

### I. Instructions:


Users can set one password (default is "1234"). The fingerprint capacity is 29.

### Panel indicator descriptions:


-  Working Status: Stays on during fingerprint operation and blinks when entering a numeric password.
-  Correct Indication: Indicates a successful fingerprint or password verification.
-  Error Indication: Indicates an incorrect fingerprint or password.

**After touching any key and without further input for 10 seconds, the system will exit.**

### II. Restore Factory Settings:

Press and hold the setting button inside the safe for 3 seconds. The light  will flash once, and an audible prompt will confirm successful fingerprint deletion. The password will reset to the default "1234".

### III. Setup:

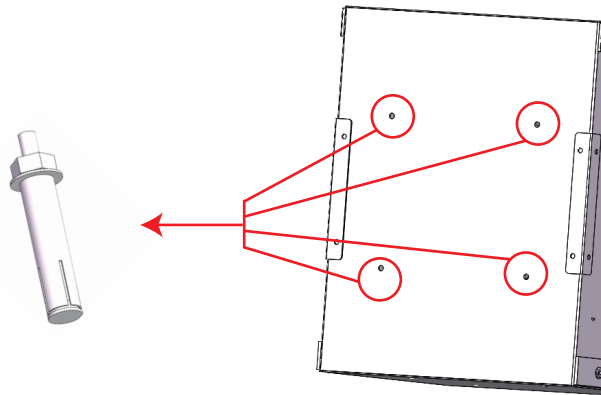
Press the setting button inside the safe once. Release it after an audible prompt, and the light  will stay on. Then you could proceed with the following operations:

- Add Fingerprint:** Place the finger to be registered on the fingerprint sensor. After an audible prompt, press the same finger again. A success prompt will sound. If the fingerprint capacity (29) is reached, an error prompt will indicate no further additions.
- Change Password:** Enter a new 1-8 digit password, then press # to confirm. An audible prompt will ask for re-entry of the new password. Press # again to confirm, followed by a success prompt. Press \* once during input to clear all entered digits.
- Set Unlocking Mode:** After pressing the setting button, do not input a fingerprint or password. Press the setting button again to toggle the unlocking mode:
  - First time setting: Changes to fingerprint + password (dual authentication).
  - If already in dual mode: Changes to fingerprint or password (single authentication). An audible prompt confirms the change.

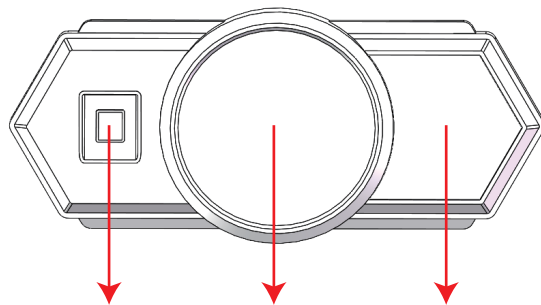
# HS52 SAFE INSTALLATION

## Step 3

There are four holes on the back of the safe. Use the included expansion bolts to fix it to the wall (drill holes with 10mm diameter and >50mm depth).



## Step 4



Fingerprint recognition location

password area

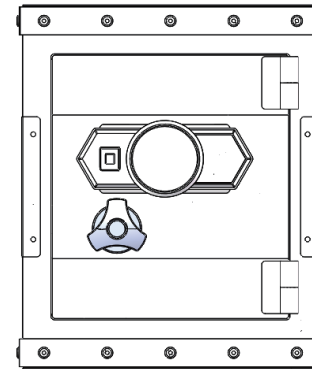
Emergency lock cover

\*Press the dotted edge area to lift the cover, then remove it and use the emergency key to unlock

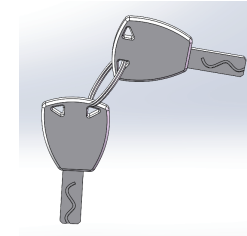
# COMPONENT OVERVIEW

Hi friend,

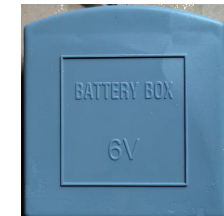
Thank you for your purchase, please take a few minutes to read the instruction manual for better use of the product, If you have any questions please contact the seller for your service.



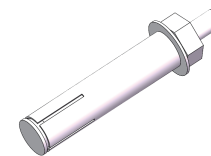
1 Safe



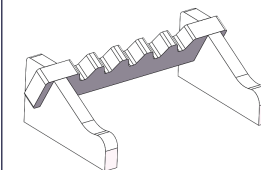
2 Emergency Keys



1 External Power Box



4 Expansion Bolts



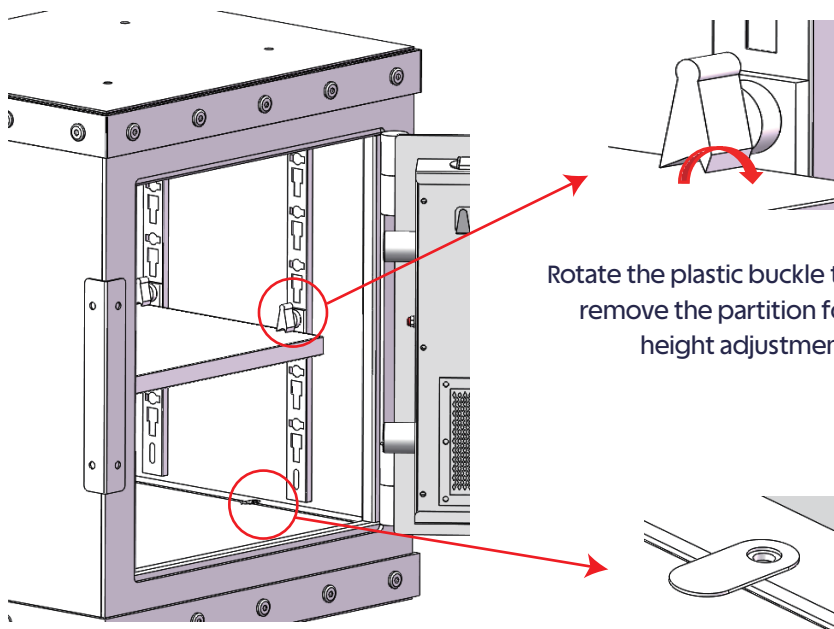
1 Gun Stock Kit



1 User Manual

## HS52 SAFE INTERNAL ADJUSTMENTS

### Step 1



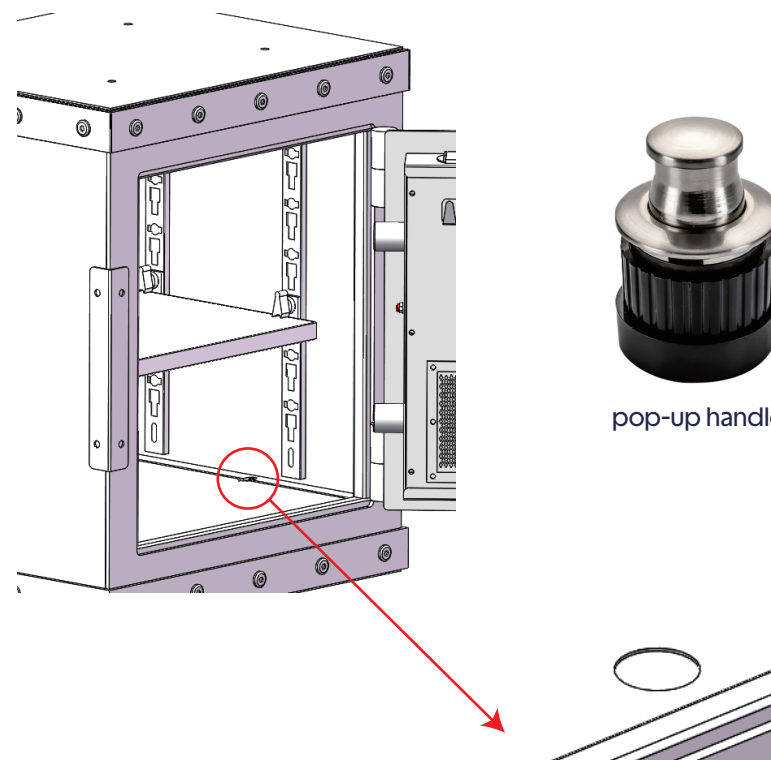
Rotate the plastic buckle to remove the partition for height adjustment.

After receiving the safe, remove the screws fixing the hidden compartment cover to open it.

## HS52 SAFE INTERNAL ADJUSTMENTS

### Step 2

Press the center of the pop-up handle; the circular part will spring up, then pull the handle to open the hidden compartment.



pop-up handle