

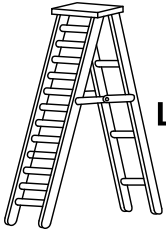
## ASSEMBLY INSTRUCTIONS



**CAUTION**

- ◆ Inspect the wire insulation for any cuts, abrasions, or exposed copper that may have resulted during shipping. If there is a defect in the wire, do not attempt installation.
- ◆ Before starting installation of this fixture or removal of a previous fixture, disconnect the power by turning off the circuit breaker or by removing the fuse at the fuse box.

## TOOLS REQUIRED



**Ladder**



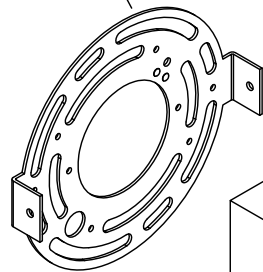
**Safety  
glasses**



**Phillips  
screwdriver**

**PARTS SHOWN MAY DIFFER SLIGHTLY PER LIGHT FIXTURE**

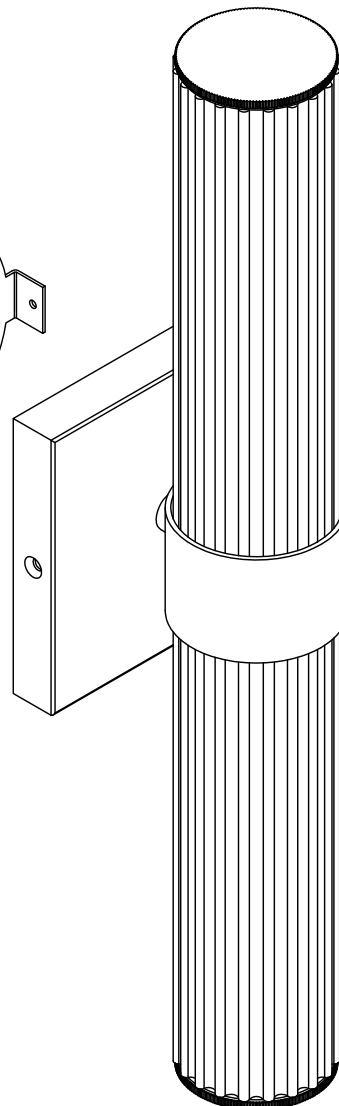
**MOUNTING PLATE**



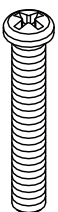
**SCREW**



**LAMP BODY**



**PART BAG**

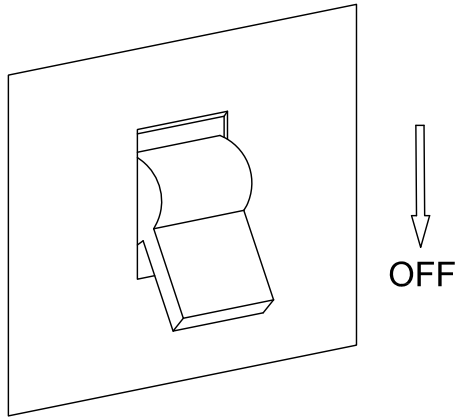


**X2**

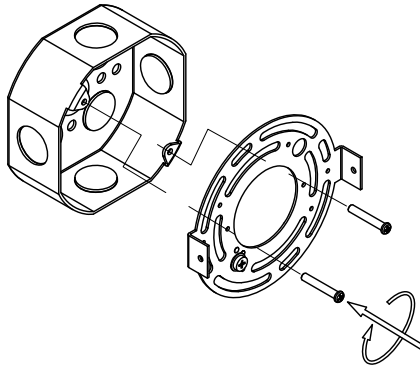


**X3**

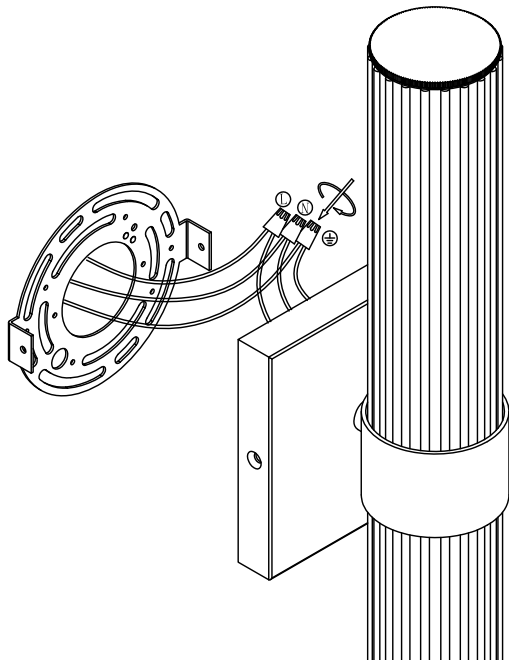
**Step 1**  
Power off



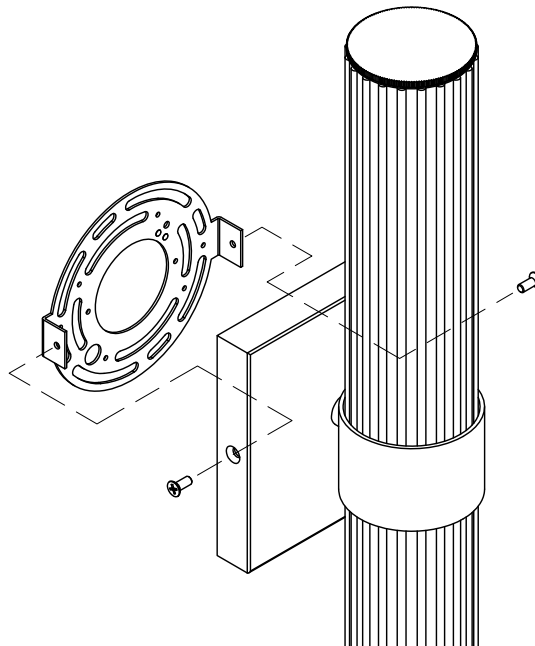
**Step 2**  
Use the mounting screws to attach the mounting plate to the junction box(not included).



**Step 3**  
Connect the wire.



**Step 4**  
Attach the scence to the mounting strip.



**SCENCE**

