

ASSEMBLY INSTRUCTIONS



COMPUTER DESK

ASSEMBLY INSTRUCTIONS

ASSEMBLY TIPS:

1. Remove hardware from box and sort by size.
2. Please check to see that all hardware and parts are present prior to start of assembly.
3. Please follow attached instructions in the same sequence as numbered to assure fast & easy assembly.



WARNING!

1. Don't attempt to repair or modify parts that are broken or defective. Please contact the store immediately.
2. This product is for home use only and not intended for commercial establishments.





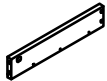
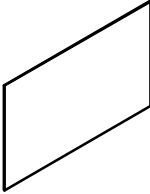


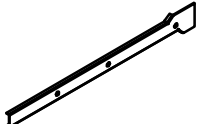
ASSEMBLY TIME 50 MINUTES

PARTS IDENTIFICATION

A	TOP PANEL		1PC
B	BOTTOM PANEL		1PC
C	SIDE PANEL		2PCS
D	LEFT PANEL		1PC
E	RIGHT FRAME		1PC
F	BACK PANEL		1PC

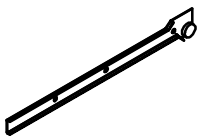
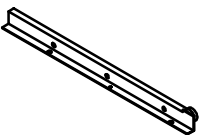
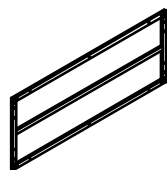
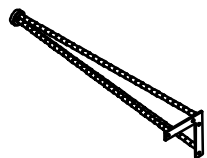
ASSEMBLY INSTRUCTIONS

PARTS IDENTIFICATION

G	DRAWER FRONT PANEL		1PC
H	DRAWER LEFT PANEL		1PC
I	DRAWER RIGHT PANEL		1PC
J	DRAWER BOTTOM PAENL		1PC
K	DRAWER BACK PANEL		1PC
L	DRAWER RIGHT KEYBOARD RAIL		1PC
M	LEFT RAIL		1PC










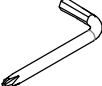
ASSEMBLY INSTRUCTIONS

PARTS IDENTIFICATION

N	RIGHT RAIL		1PC
O	DRAWER LEFT KEYBOARD RAIL		1PC
P	FRAME		1PC
Q	LEG		4PCS

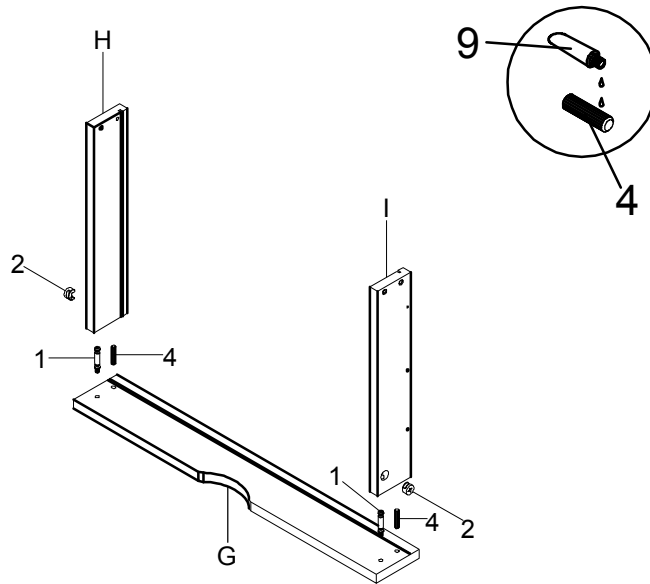
ASSEMBLY INSTRUCTIONS

HARDWARE IDENTIFICATION

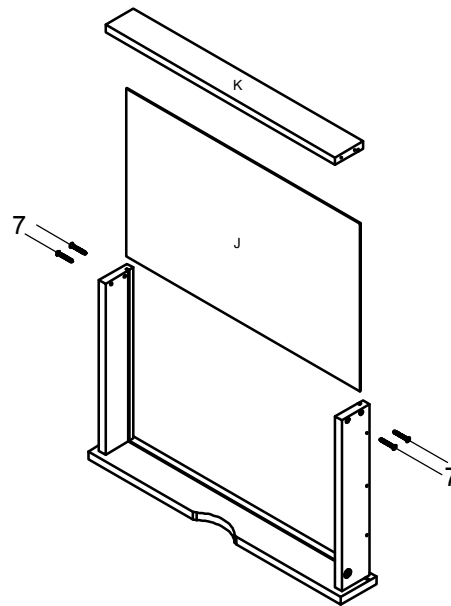
1	CAM BOLT (38mm)		10PCS
2	CAM LOCK (ϕ 15mm)		10PCS
3	LARGE WOOD DOWEL (8 x 30mm)		11PCS
4	SMALL WOOD DOWEL (6 x 30mm)		2PCS
5	LONG BOLT (1/4' x 22mm BLK)		6PCS
6	SHORT BOLT (1/4' x 12mm BLK)		16PCS
7	LONG SCREW (ϕ 8 x 38mm)		19PCS
8	SHORT SCREW (ϕ 6 x 38mm)		12PCS
9	GLUE		1PC
10	ALLEN WRENCH (4mm)		1PC

ASSEMBLY INSTRUCTIONS

STEP 1 Do not tighten until each step is completed or instructed.

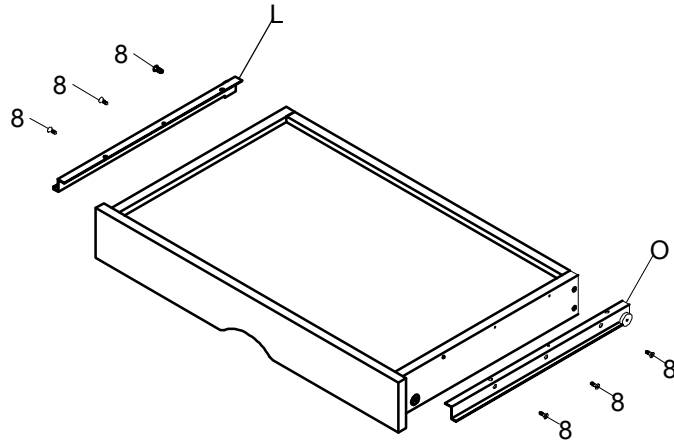


STEP 2

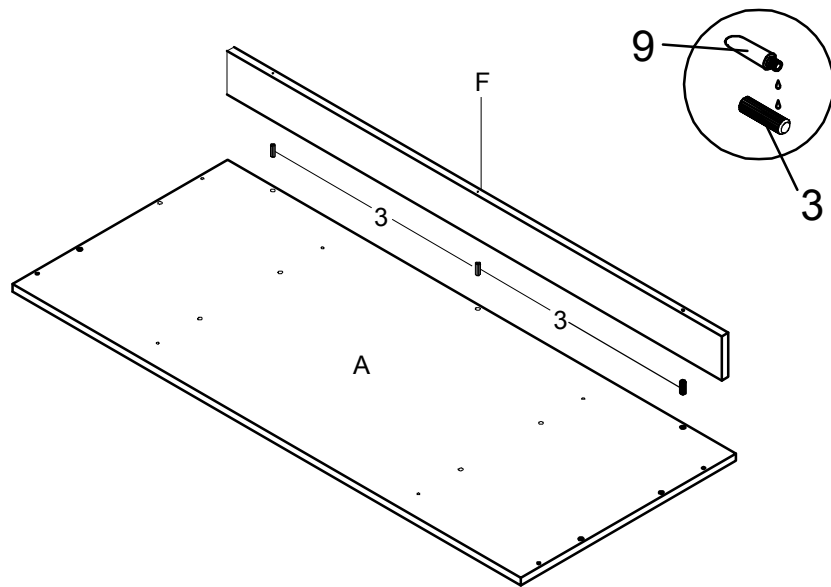


ASSEMBLY INSTRUCTIONS

STEP 3

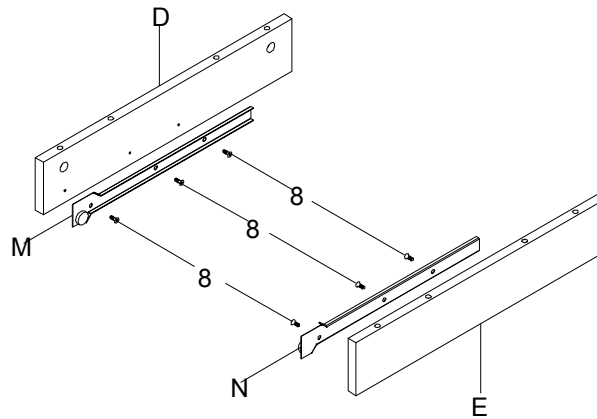


STEP 4

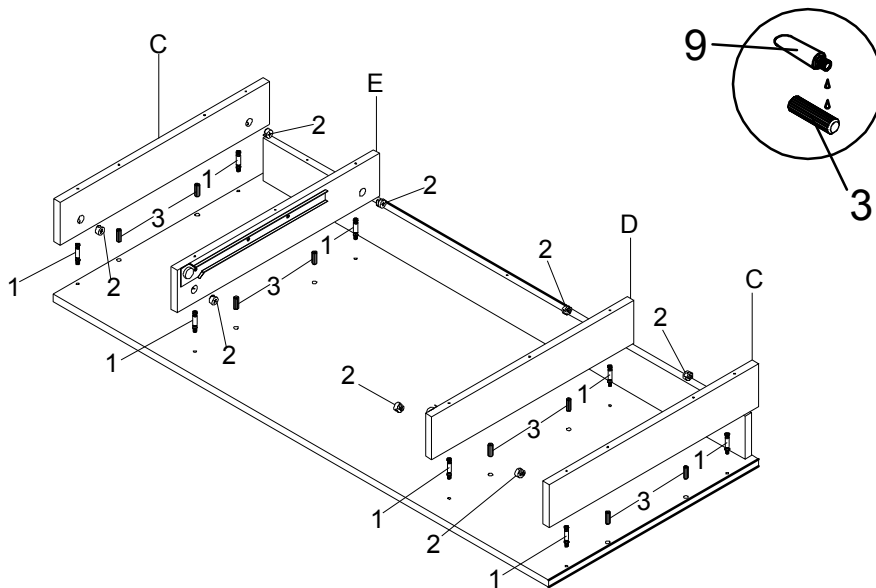


ASSEMBLY INSTRUCTIONS

STEP 5

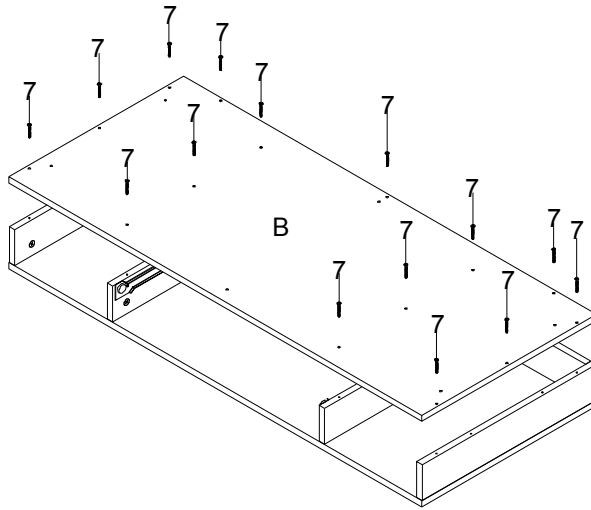


STEP 6

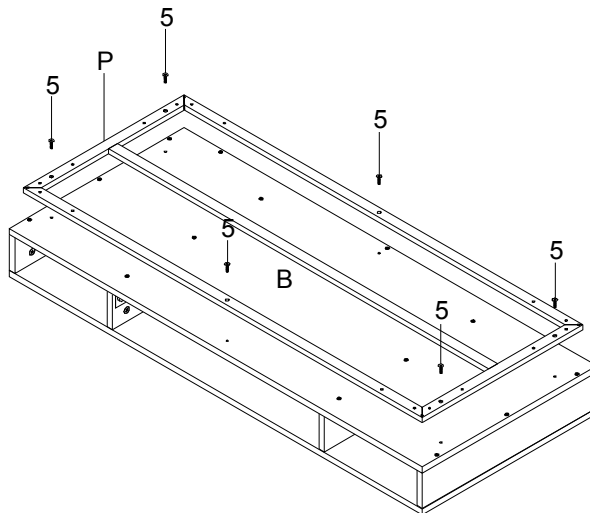


ASSEMBLY INSTRUCTIONS

STEP 7

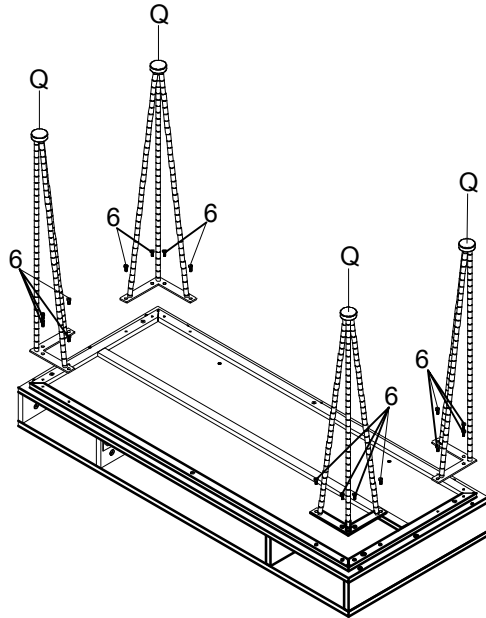


STEP 8

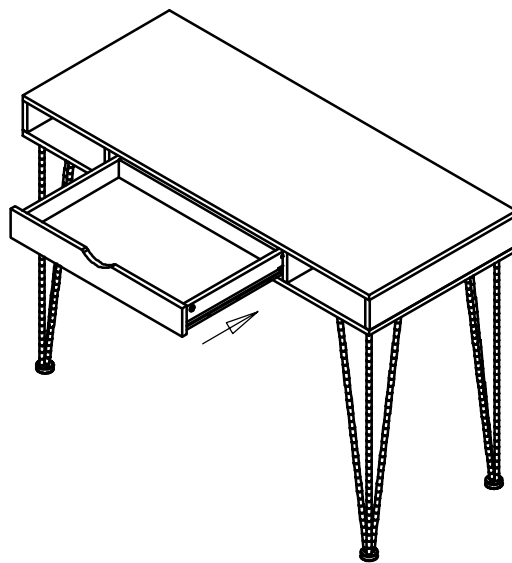


ASSEMBLY INSTRUCTIONS

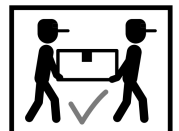
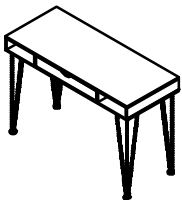
STEP 9



STEP 10

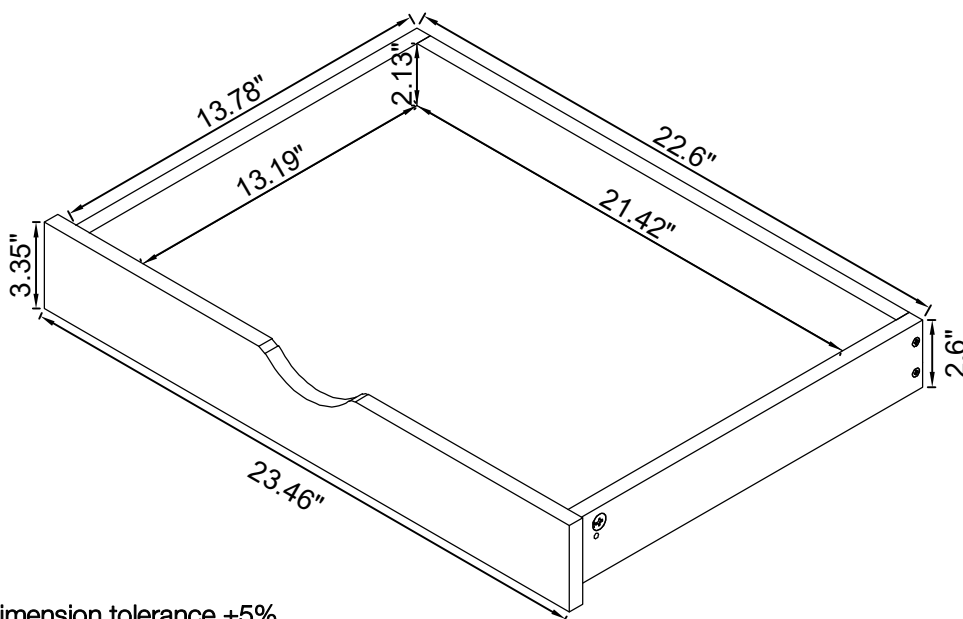
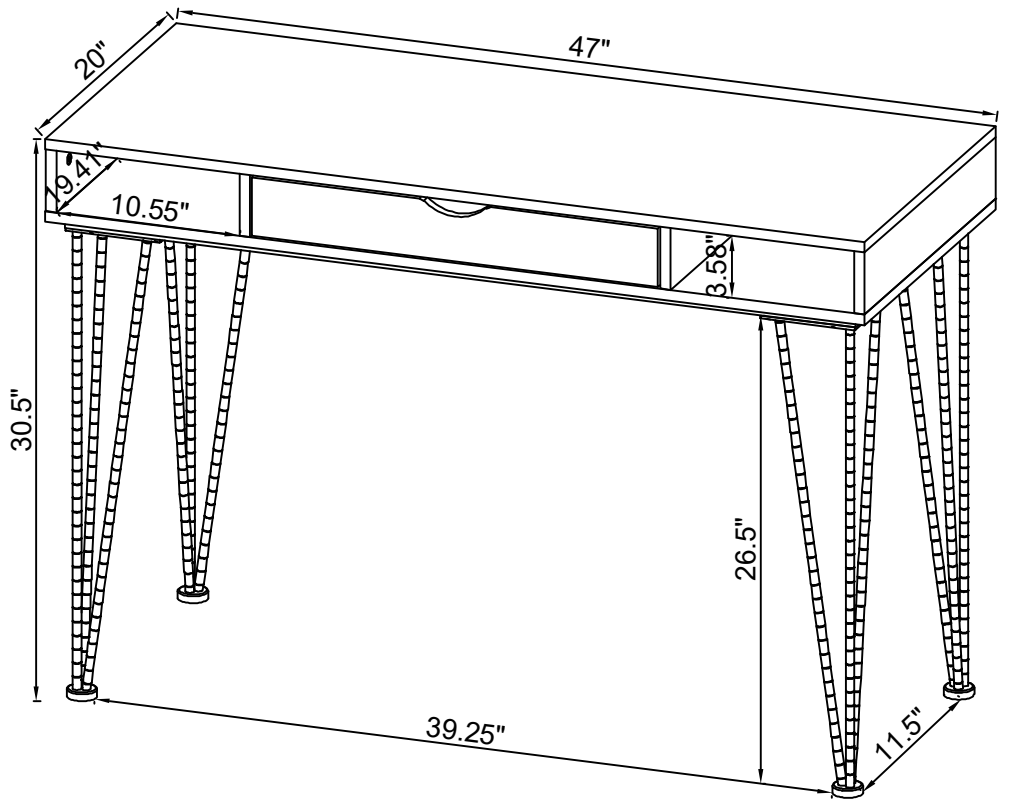


COMPLETE



ASSEMBLY INSTRUCTIONS

Product Size : 1193 X 508 X 775 H (MM)
Product Size : 47" X 20" X 30 1/2"



Note : Dimension tolerance $\pm 5\%$