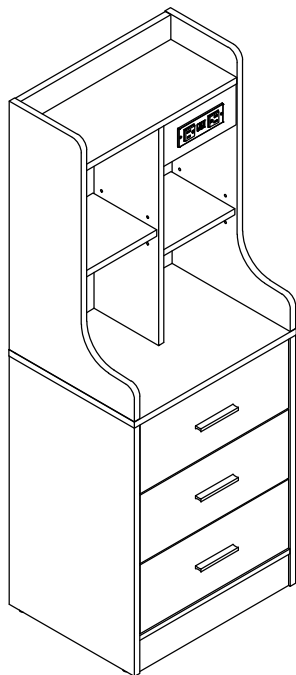
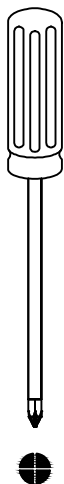
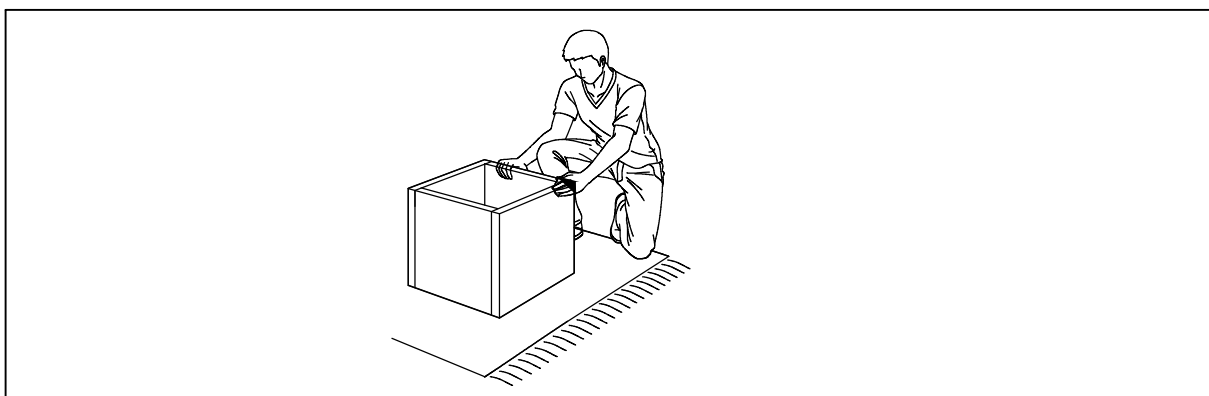


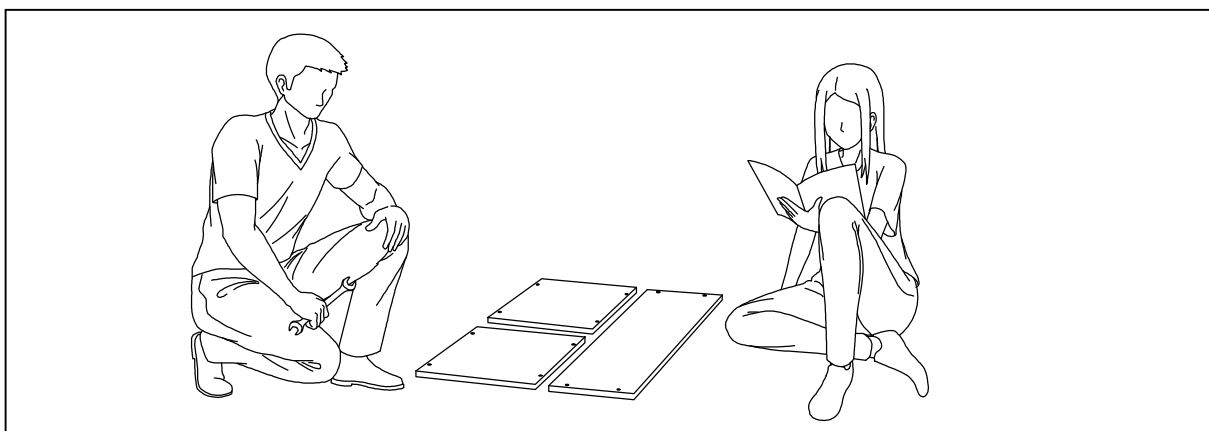
# WARNING!



Estimated Time for Assembly  
**60 mins**

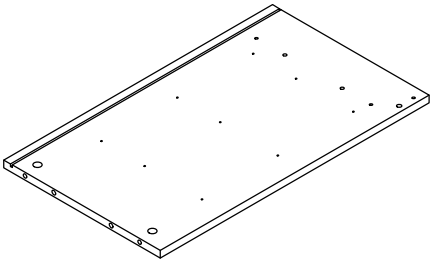


Assemble the furniture on empty carton, carpet, or rug to prevent scratches or damage.

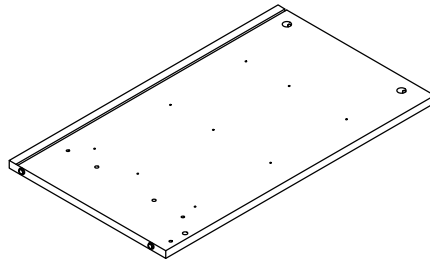


This furniture requires 2 people to assembly.  
Make sure no parts are missing or damaged before assembly.

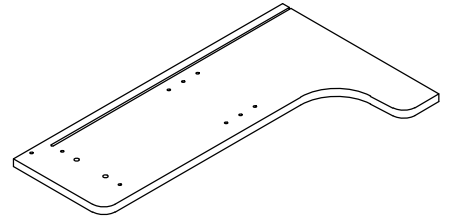
Not actual size



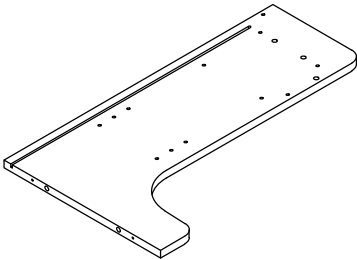
Ⓐ X1



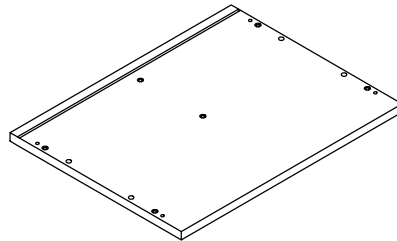
Ⓑ X1



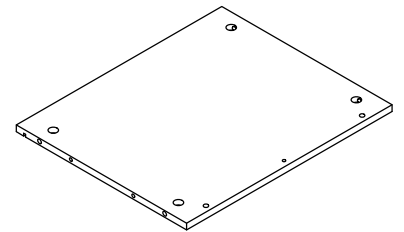
Ⓒ X1



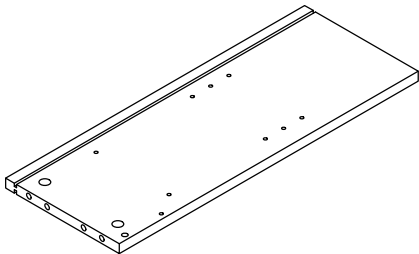
Ⓓ X1



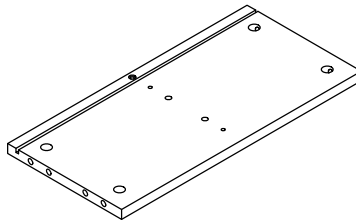
Ⓔ X1



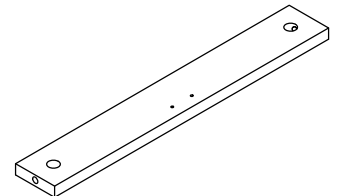
Ⓕ X1



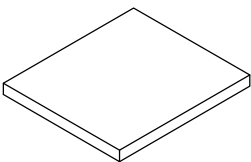
Ⓖ X1



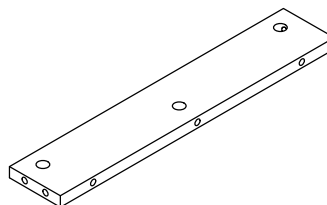
Ⓗ X1



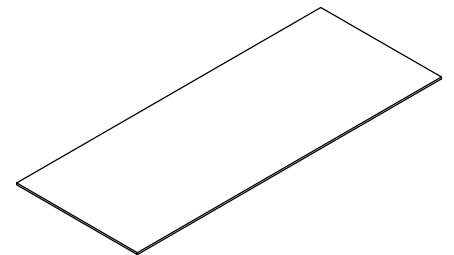
Ⓘ X1



Ⓙ X2



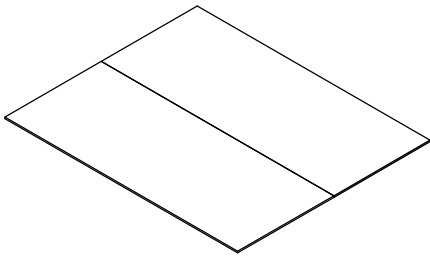
Ⓚ X1



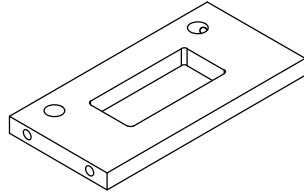
Ⓛ X1

# BOARD IDENTIFICATION

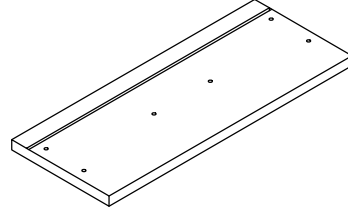
Not actual size



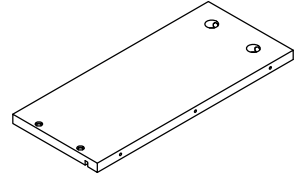
Ⓜ X1



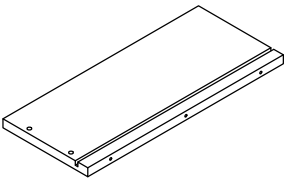
Ⓝ X1



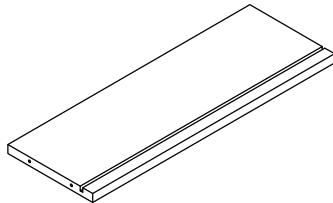
Ⓞ X3



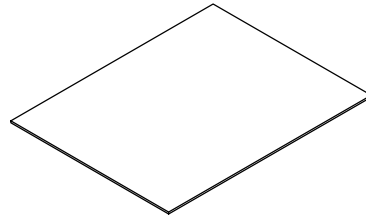
Ⓟ X3



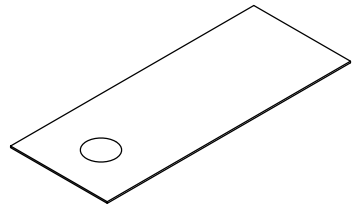
Ⓠ X3



Ⓡ X3



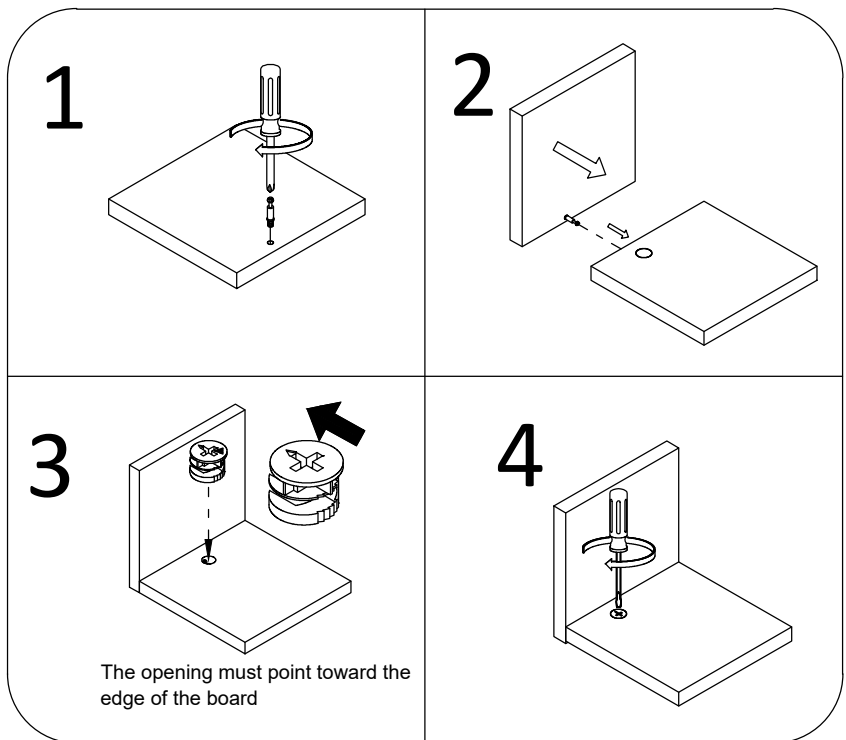
Ⓢ X3



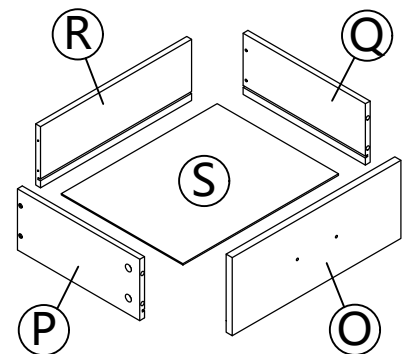
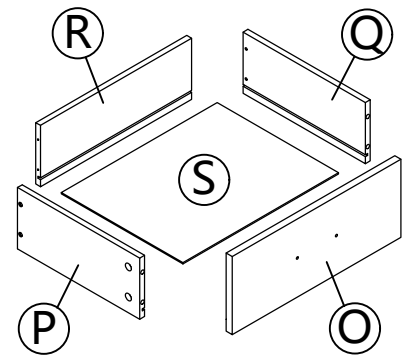
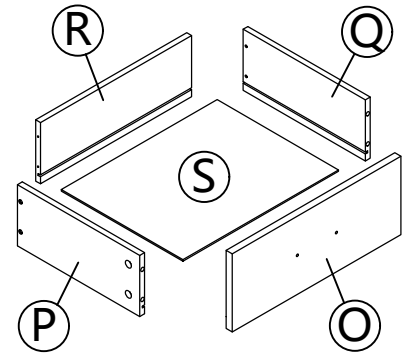
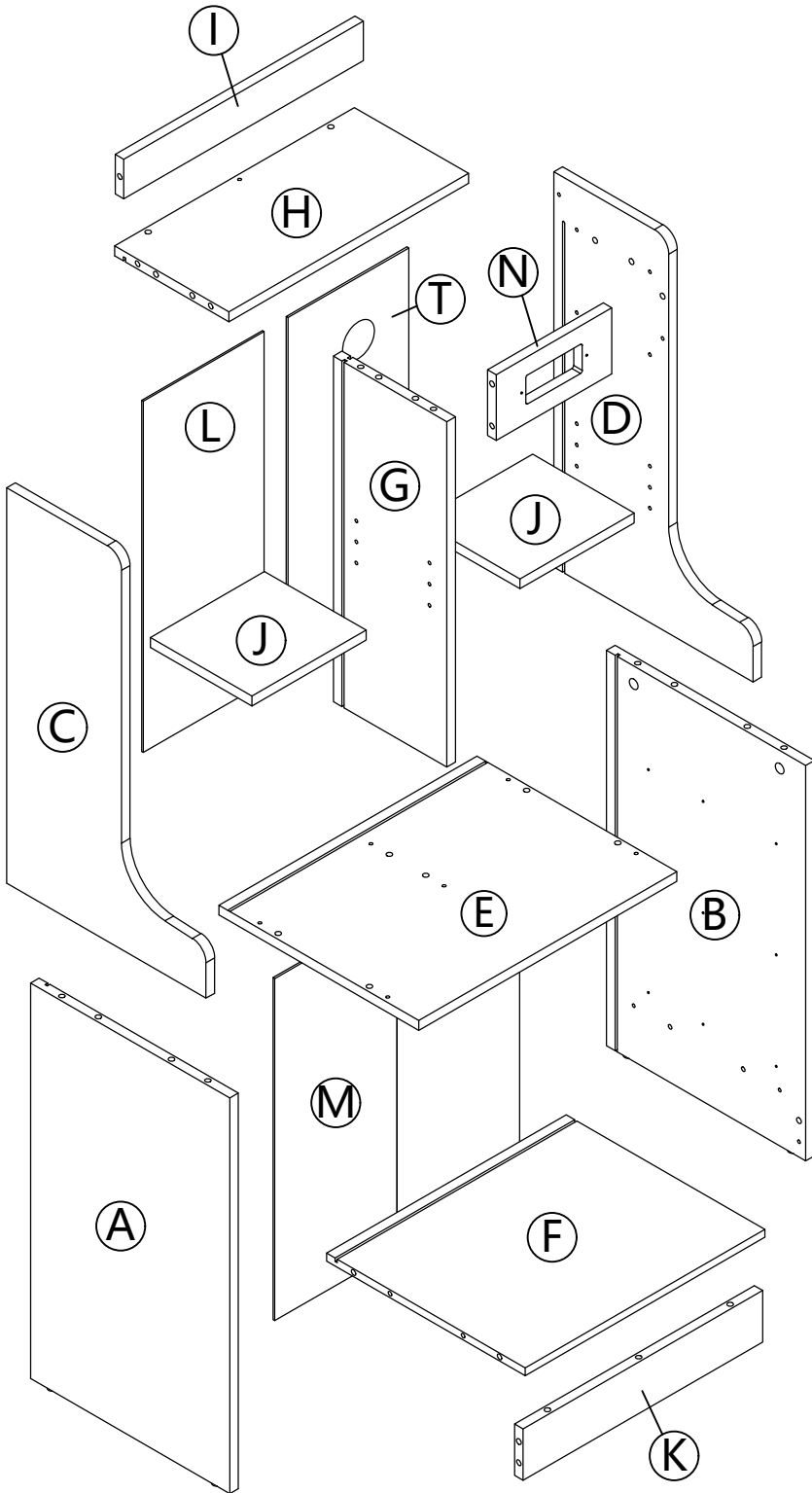
Ⓣ X1

## Cam Lock Fastening System




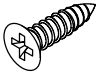


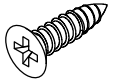

Insert the cam bolt into the hole first, then insert the cam lock and lock it.



# PACKAGE CONTENT

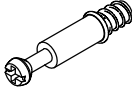



# HARDWARE PART LIST

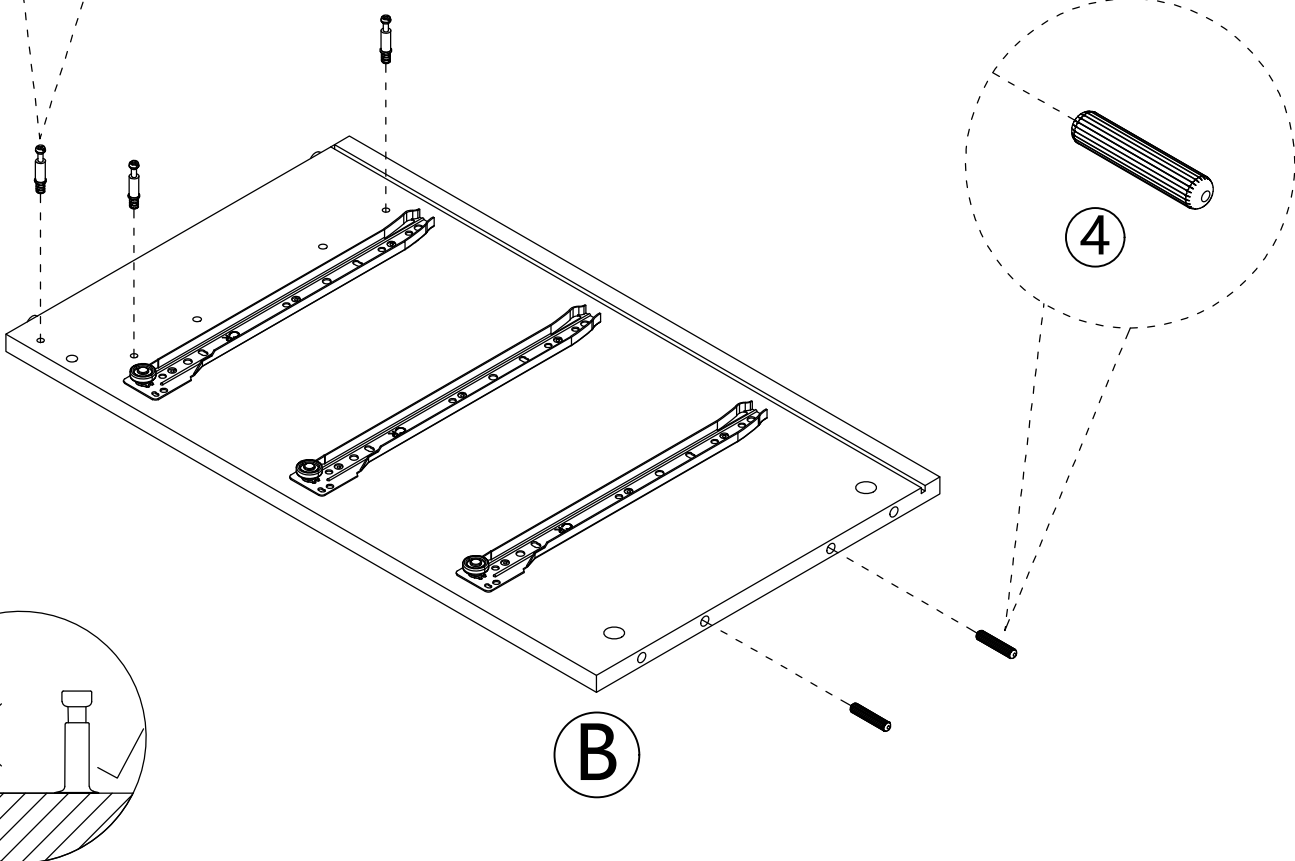
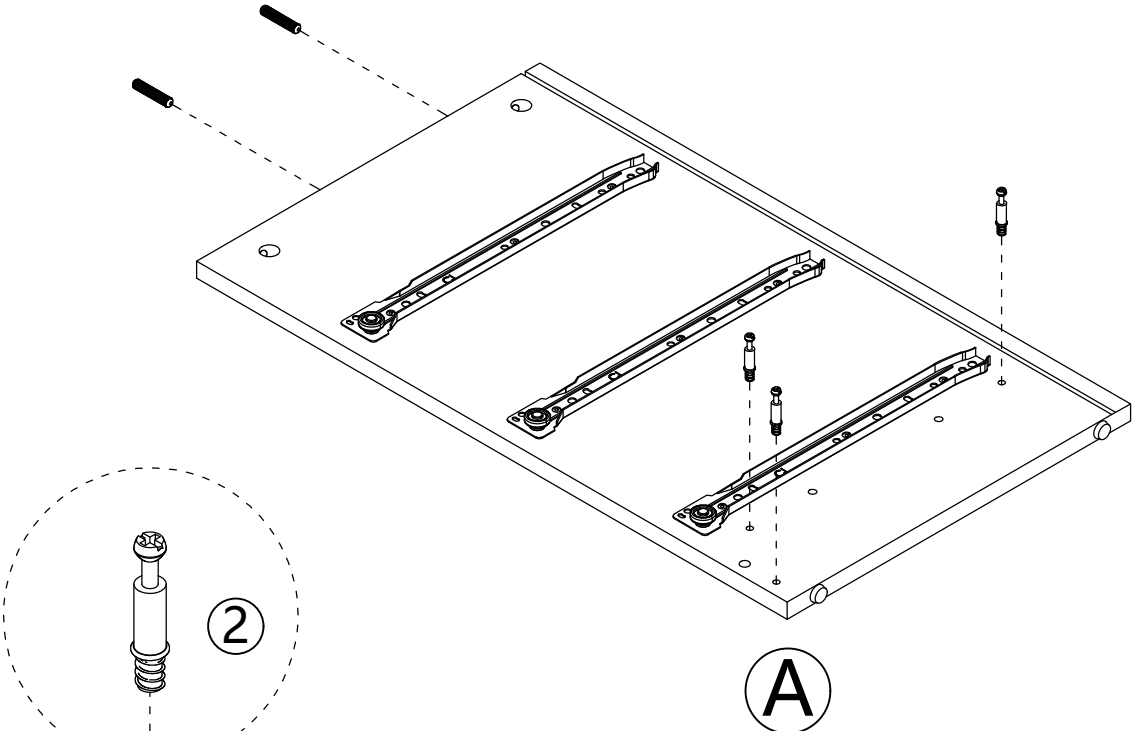
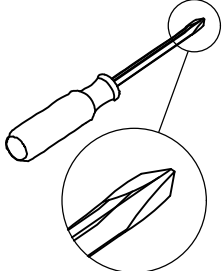
①	X33+2		②	X33+2		③	X4+1		④	X24+2	
		$\phi 15*9.5$			$\phi 6*35$			$\phi 6*30$			$\phi 8*30$
⑤	X19+1		⑥	X36+2		7CL	X3		7CR	X3	
		$\phi 4*35$			$\phi 3.5*14$	12" LEFT CABINET MEMBER		300mm	12" RIGHT CABINET MEMBER		300mm
7DL	X3		7DR	X3		⑧	X1		⑨	X3	
12"		LEFT DRAWER RUNNER	12"		RIGHT DRAWER RUNNER	L=1455mm				106*16*8	
		300mm			300mm						
⑩	X6+1		⑪	X8+1		⑫	X12set		⑬	X2+1	
		$\phi 4*18$			$\phi 5*16$	$\phi 3*14mm$				$\phi 3*12$	
⑭	X1		⑮	X1set							
		72*30*5mm									




# STEP 2

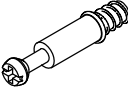
②	X6
	
ø6*35	

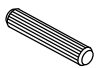
④	X4
	
ø8*30	




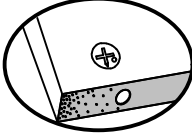
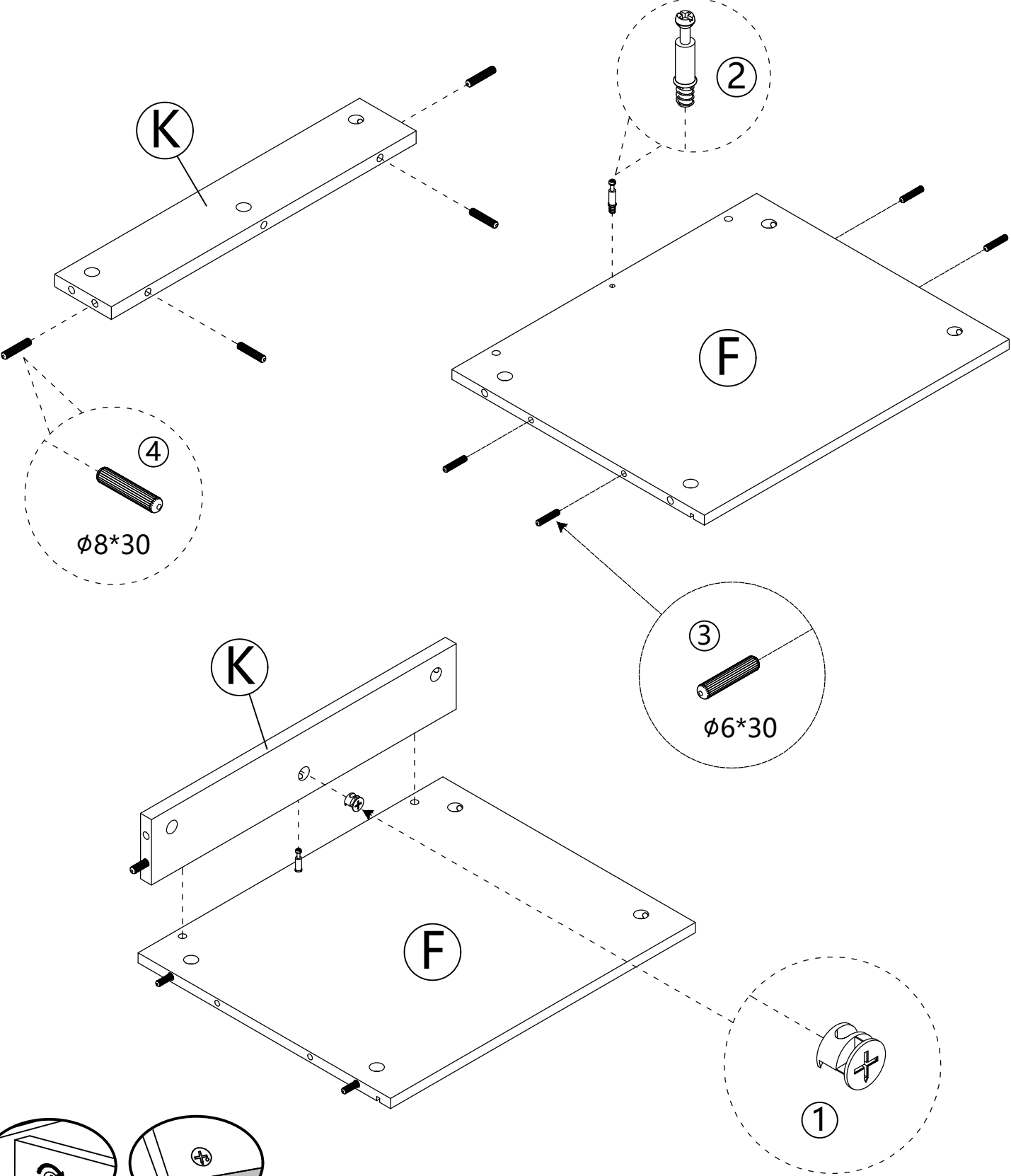
# STEP 3

①	X1
	
$\phi 15 \times 9.5$	

②	X1
	
$\phi 6 \times 35$	


③	X4
	
$\phi 6 \times 30$	

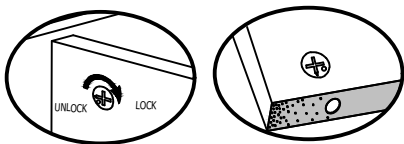
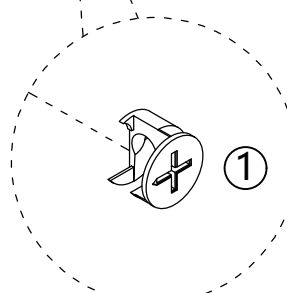
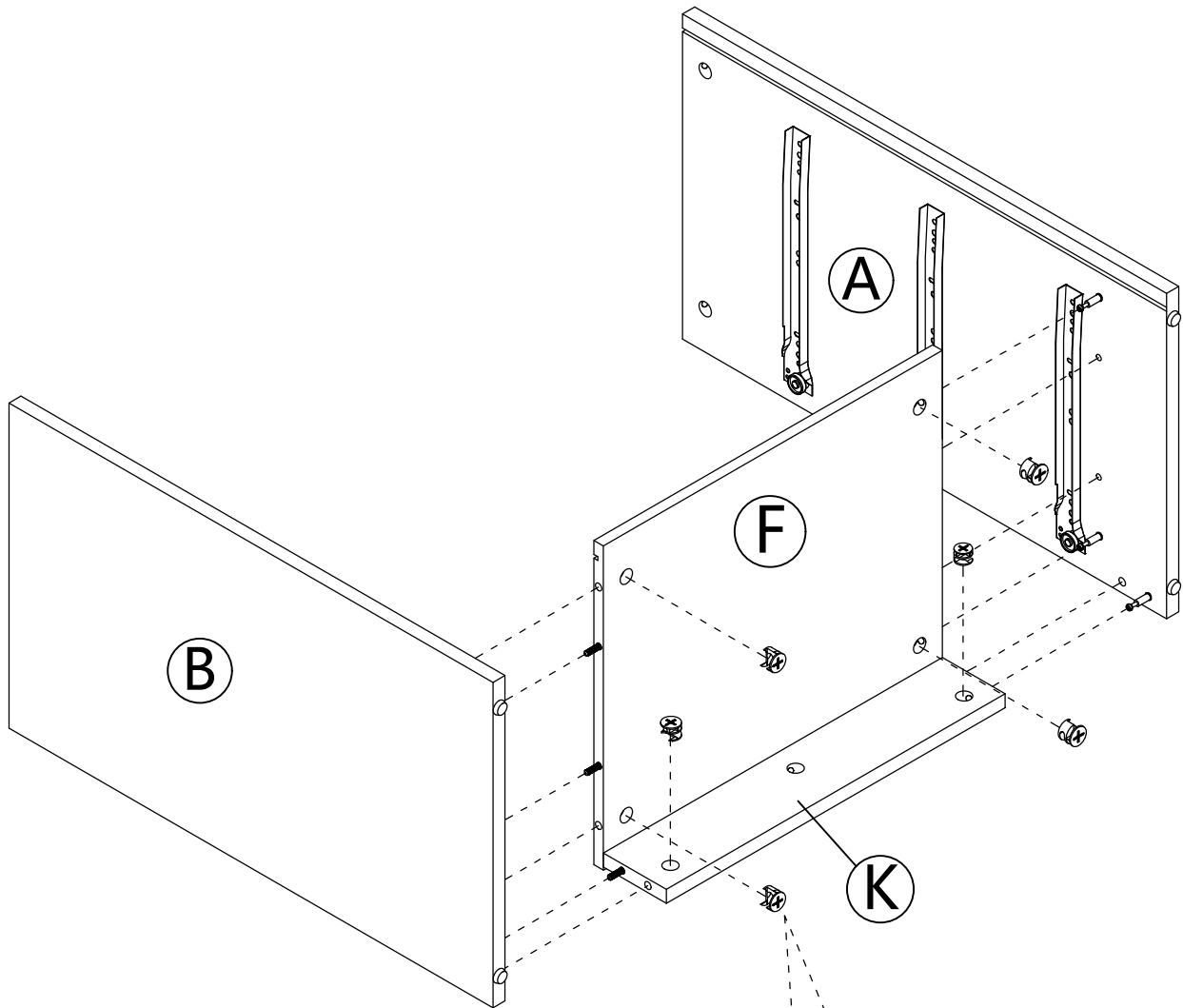
④	X4
	
$\phi 8 \times 30$	



Proper orientation of CAM LOCK

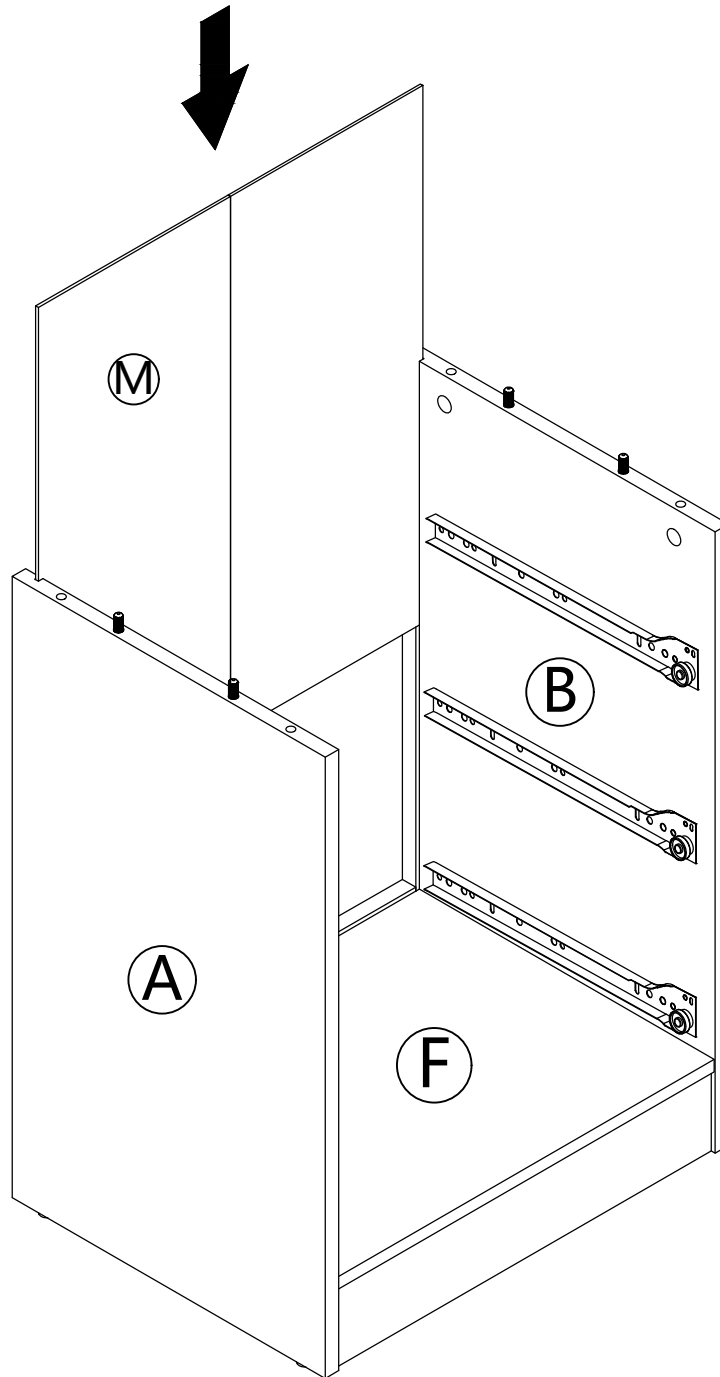
# STEP 4

①	X6
	
Ø15*9.5	

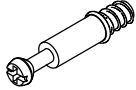


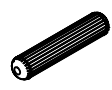
Proper orientation of CAM LOCK


# STEP 5




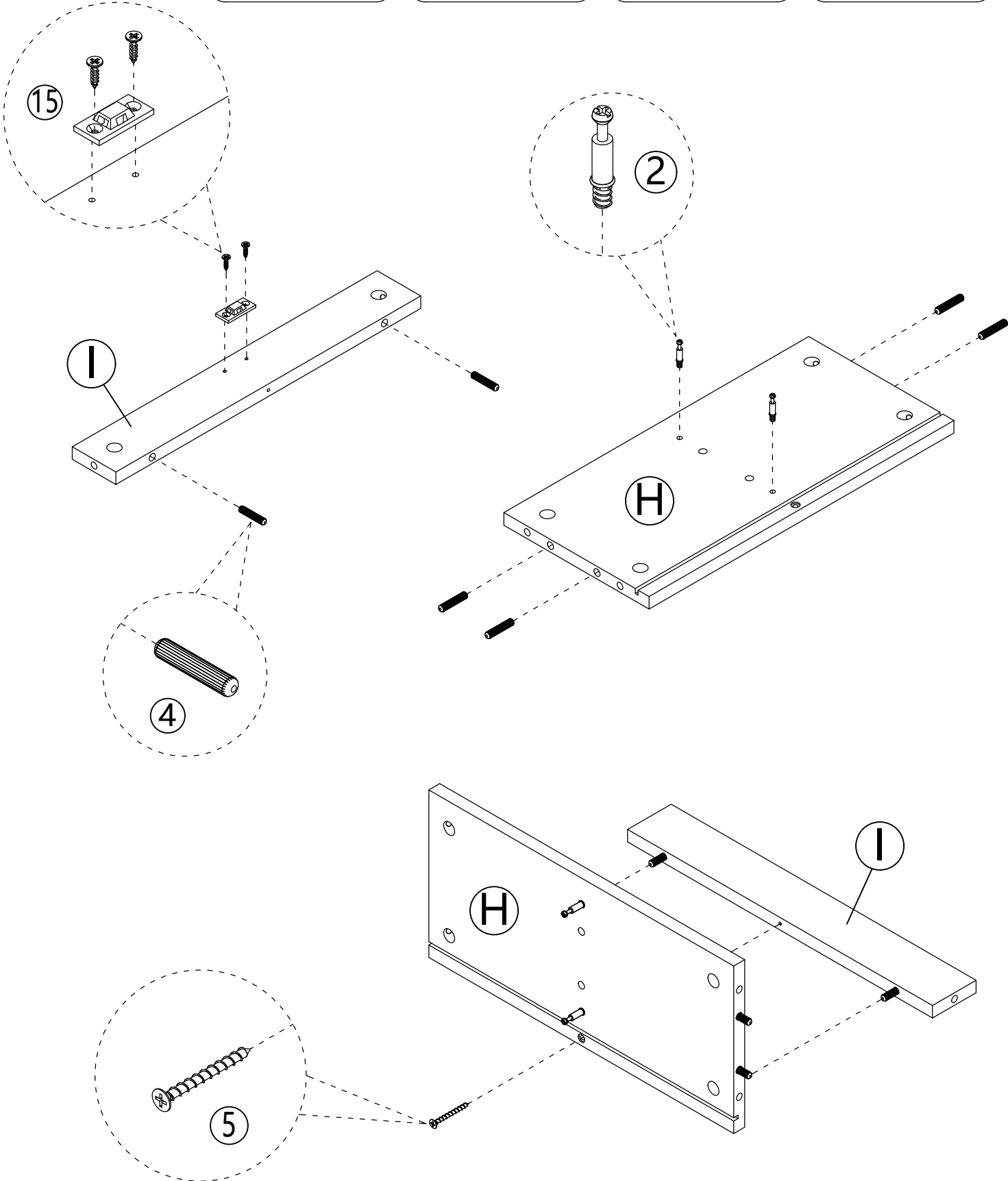
# STEP 6

②	X2
	
φ6*35	

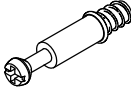
④	X6
	
φ8*30	


⑤	X1
	
φ4*35	

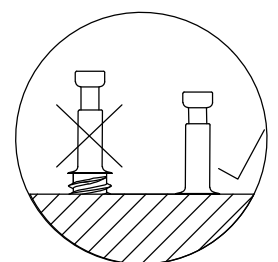
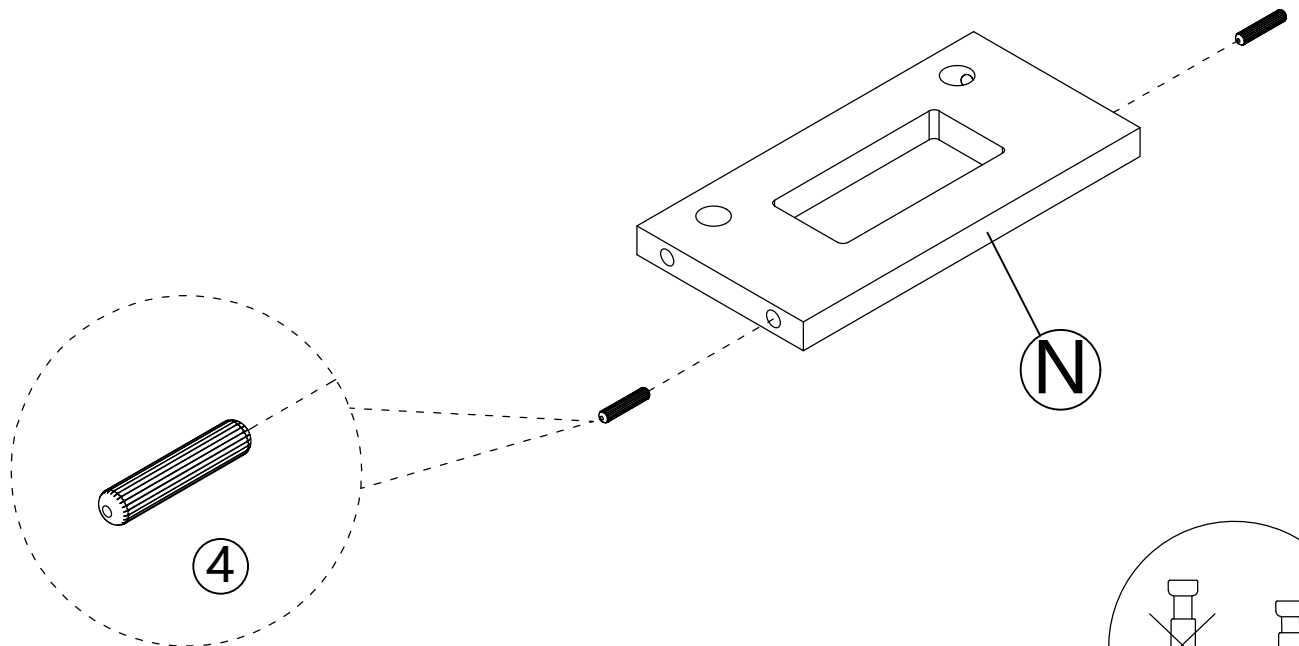
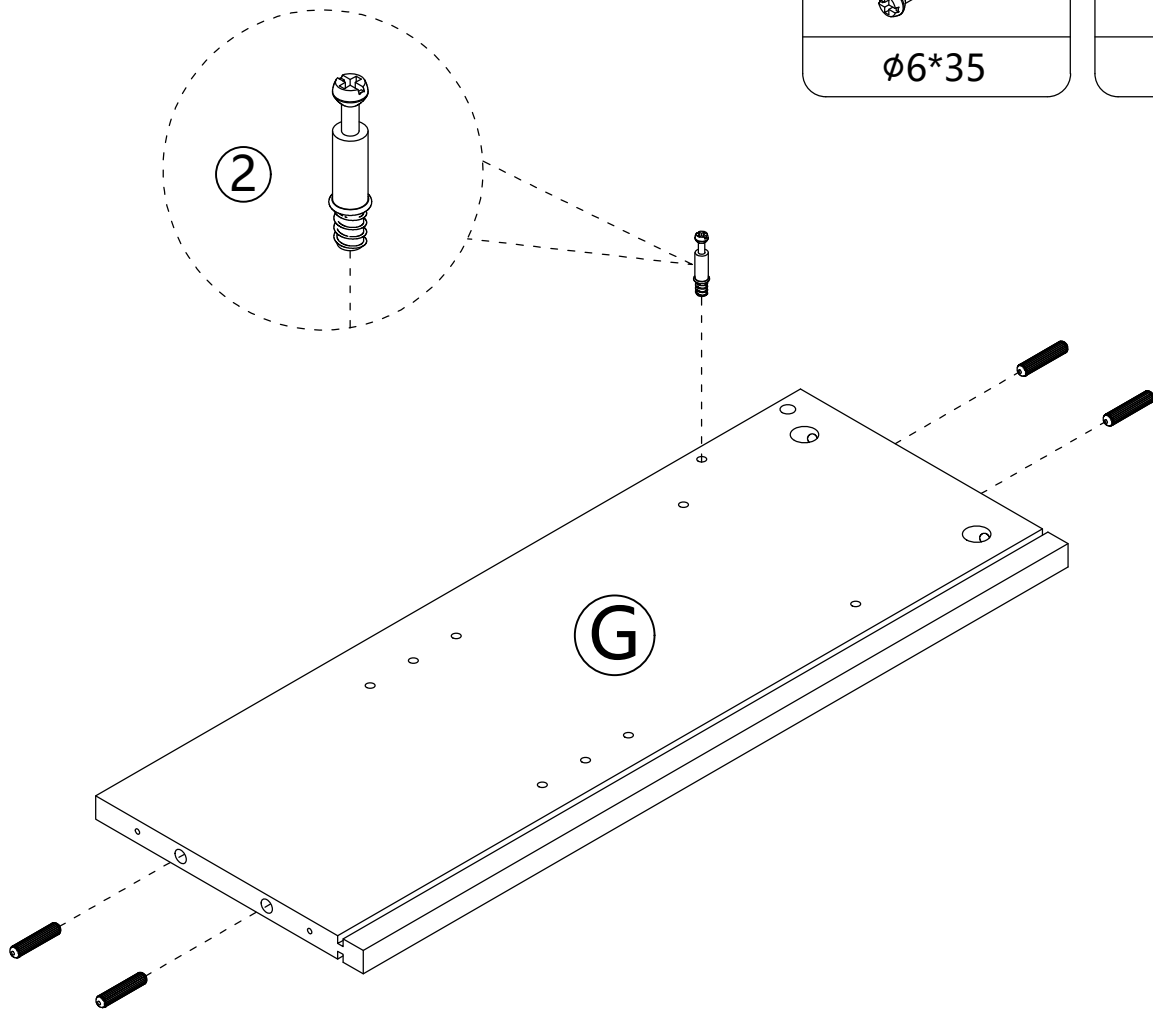
⑮	X1set
	
φ3.5*14	




# STEP 7

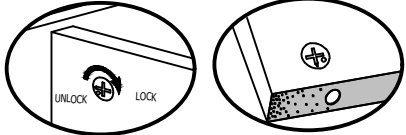
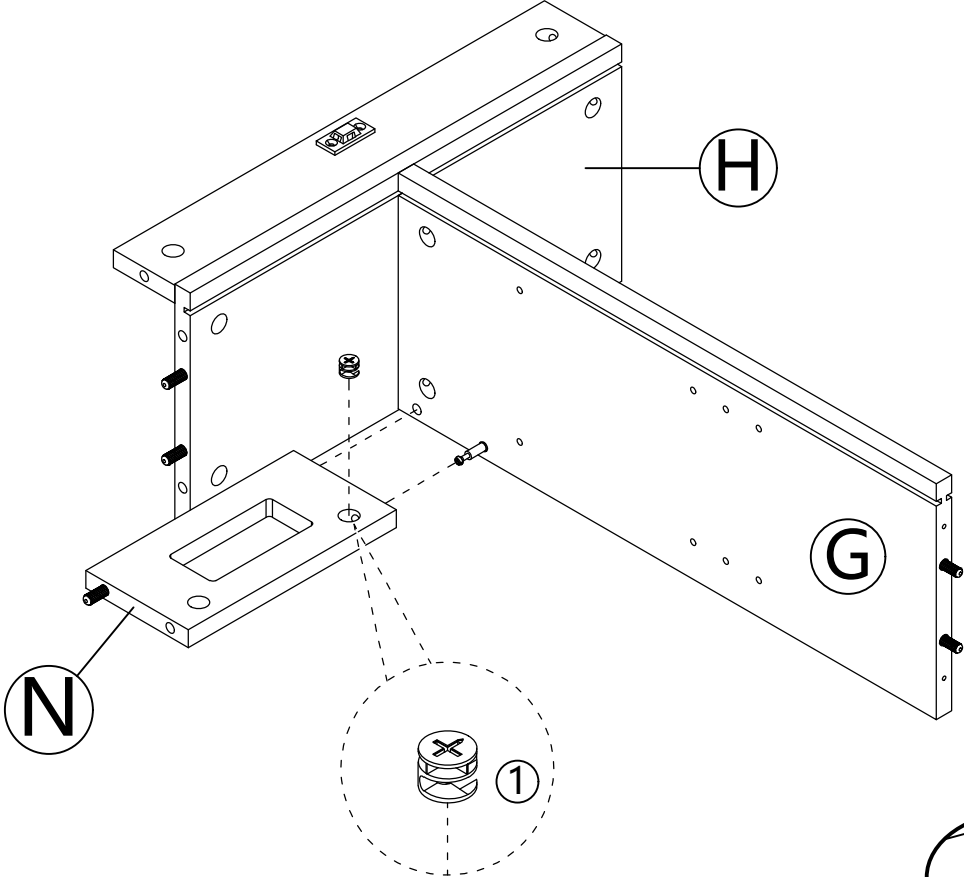
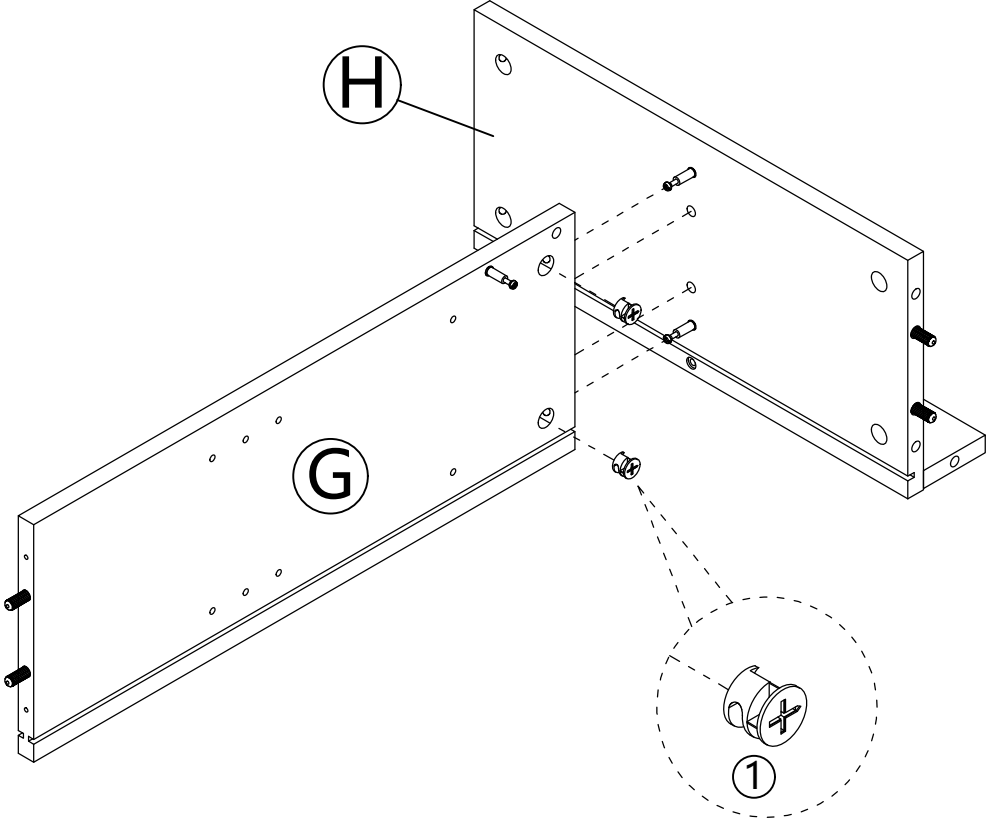
②	X1
	
ø6*35	

④	X6
	
ø8*30	



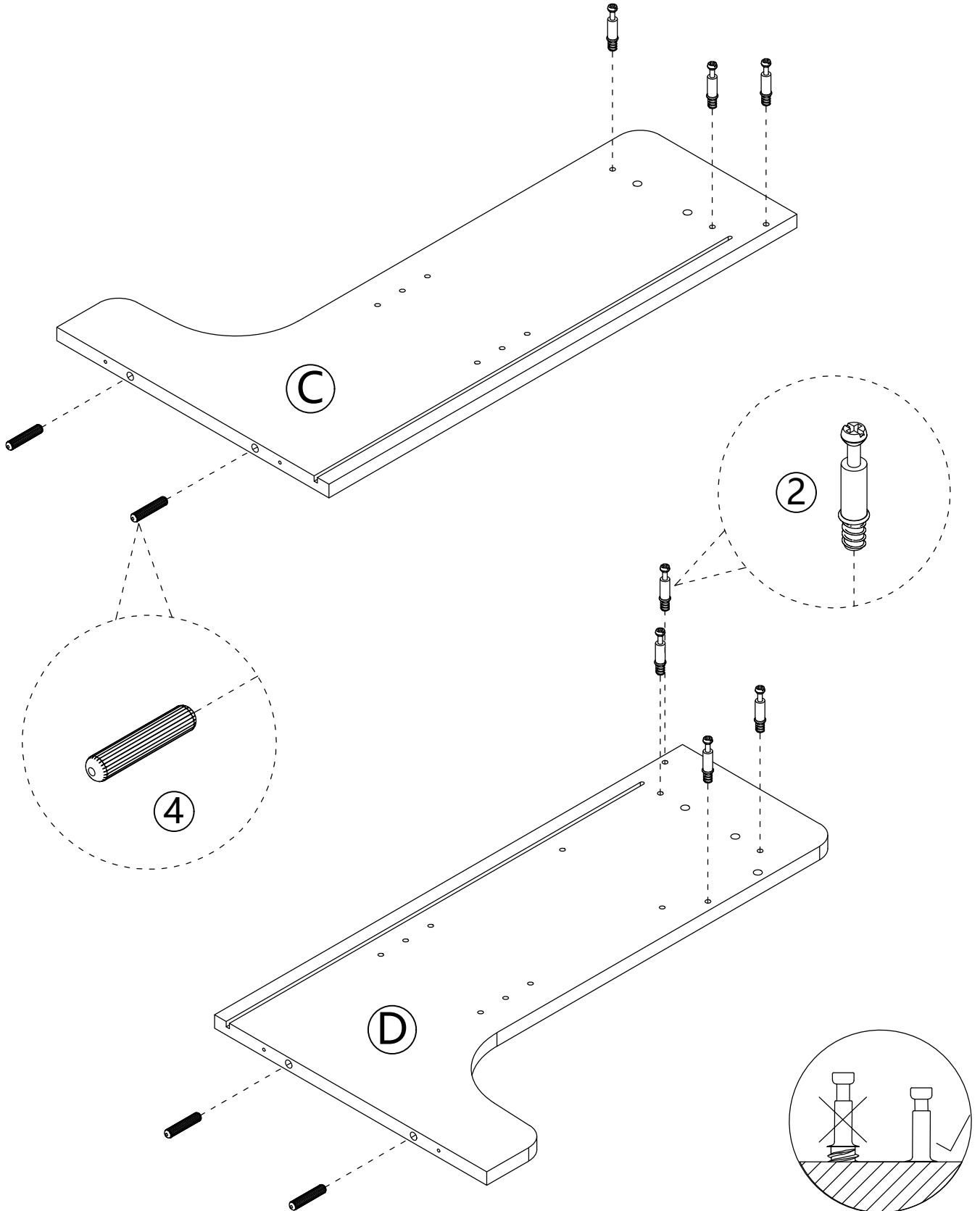
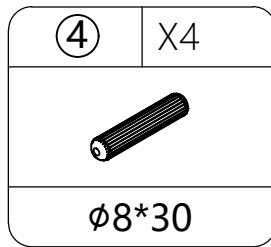
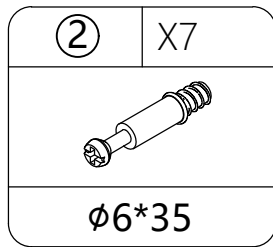
# STEP 8

①	X3
	
Ø15*9.5	




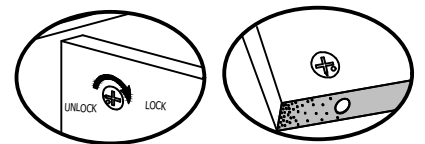
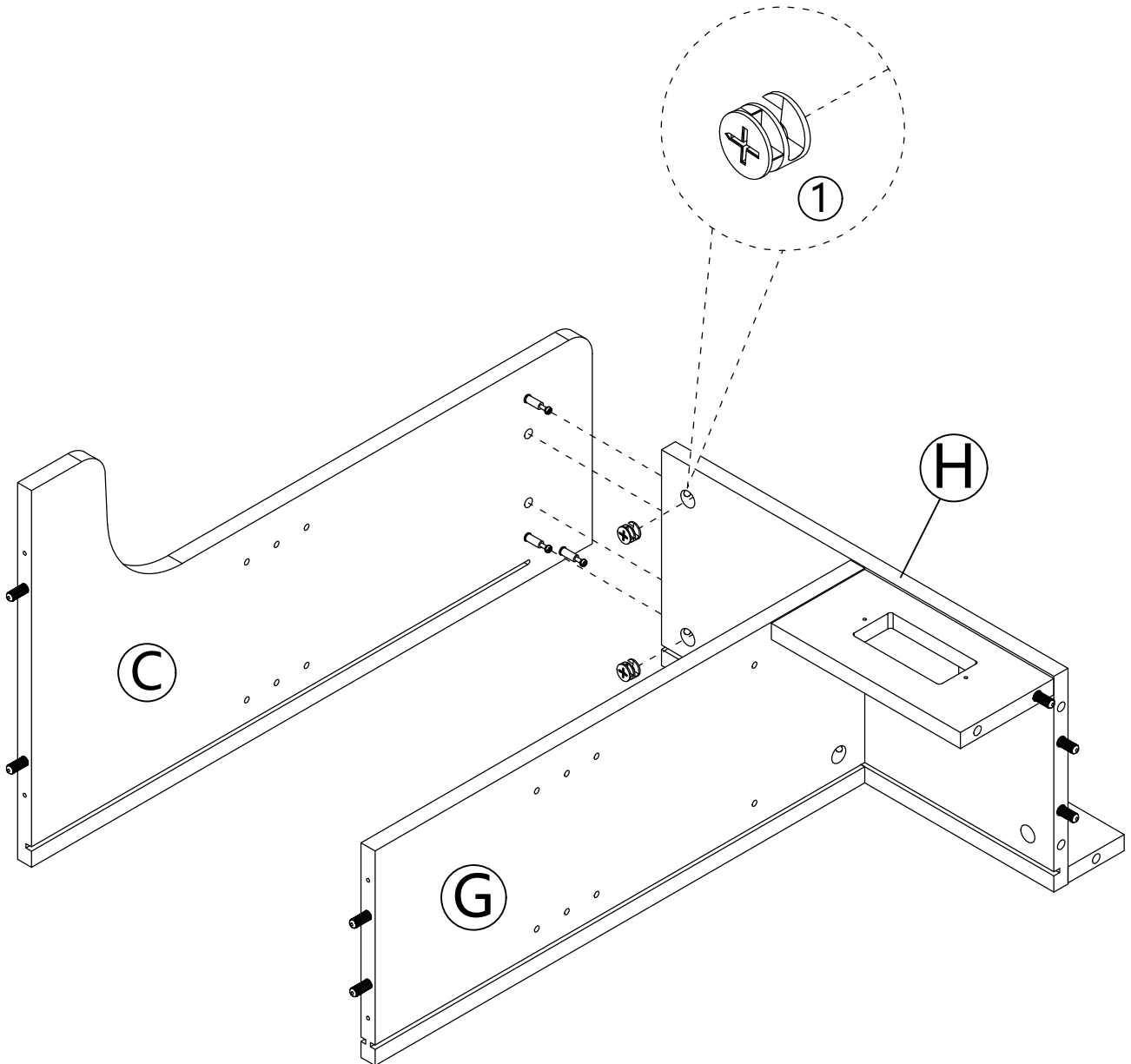
Proper orientation of CAM LOCK

# STEP 9




# STEP 10

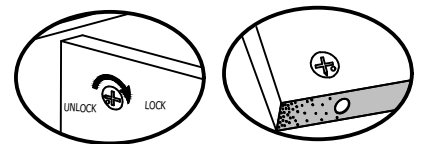
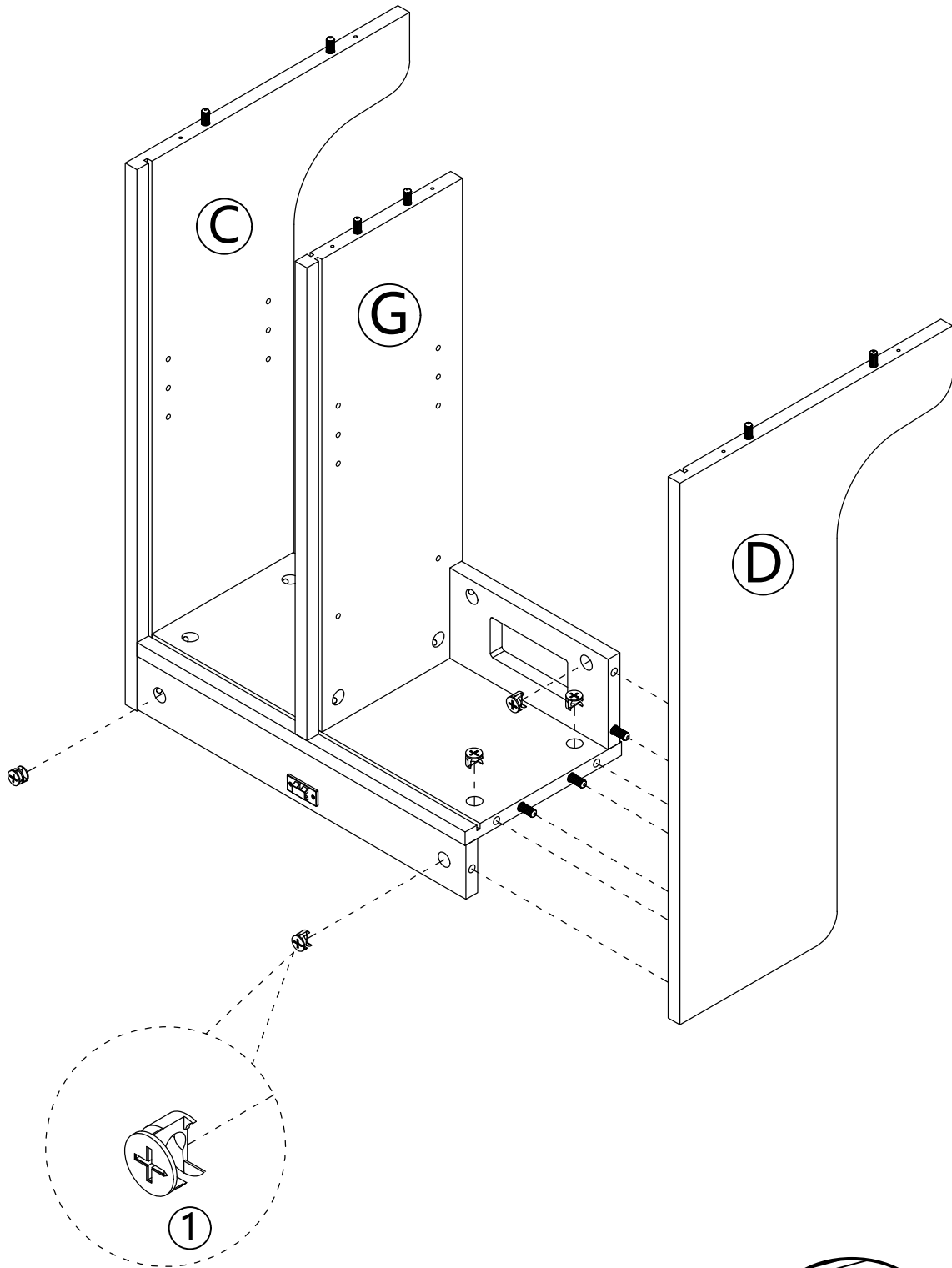
①	X2
	
Ø15*9.5	



Proper orientation of CAM LOCK

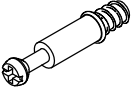
# STEP 11

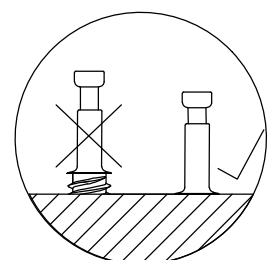
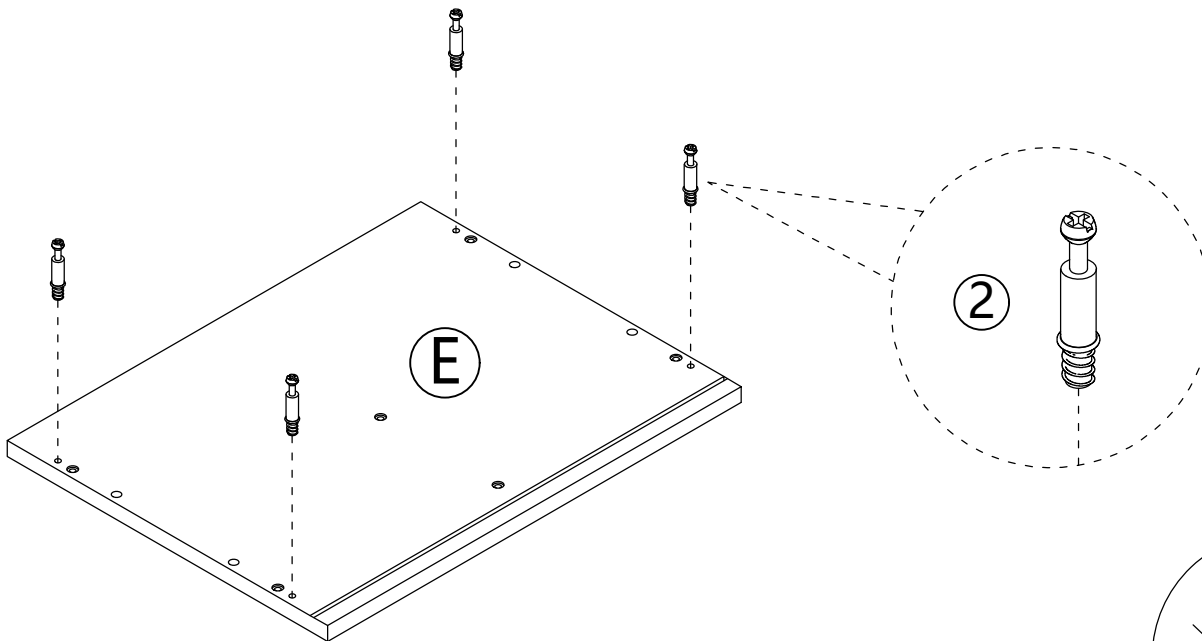
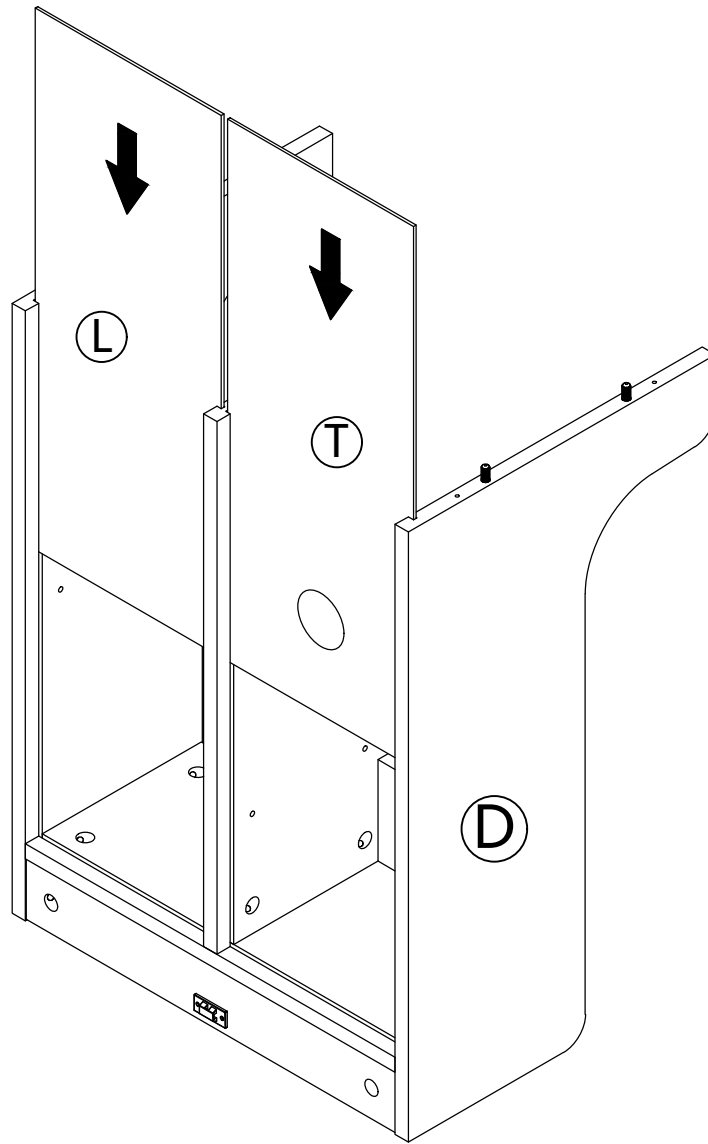
①	X5
	
Ø15*9.5	




Proper orientation of CAM LOCK

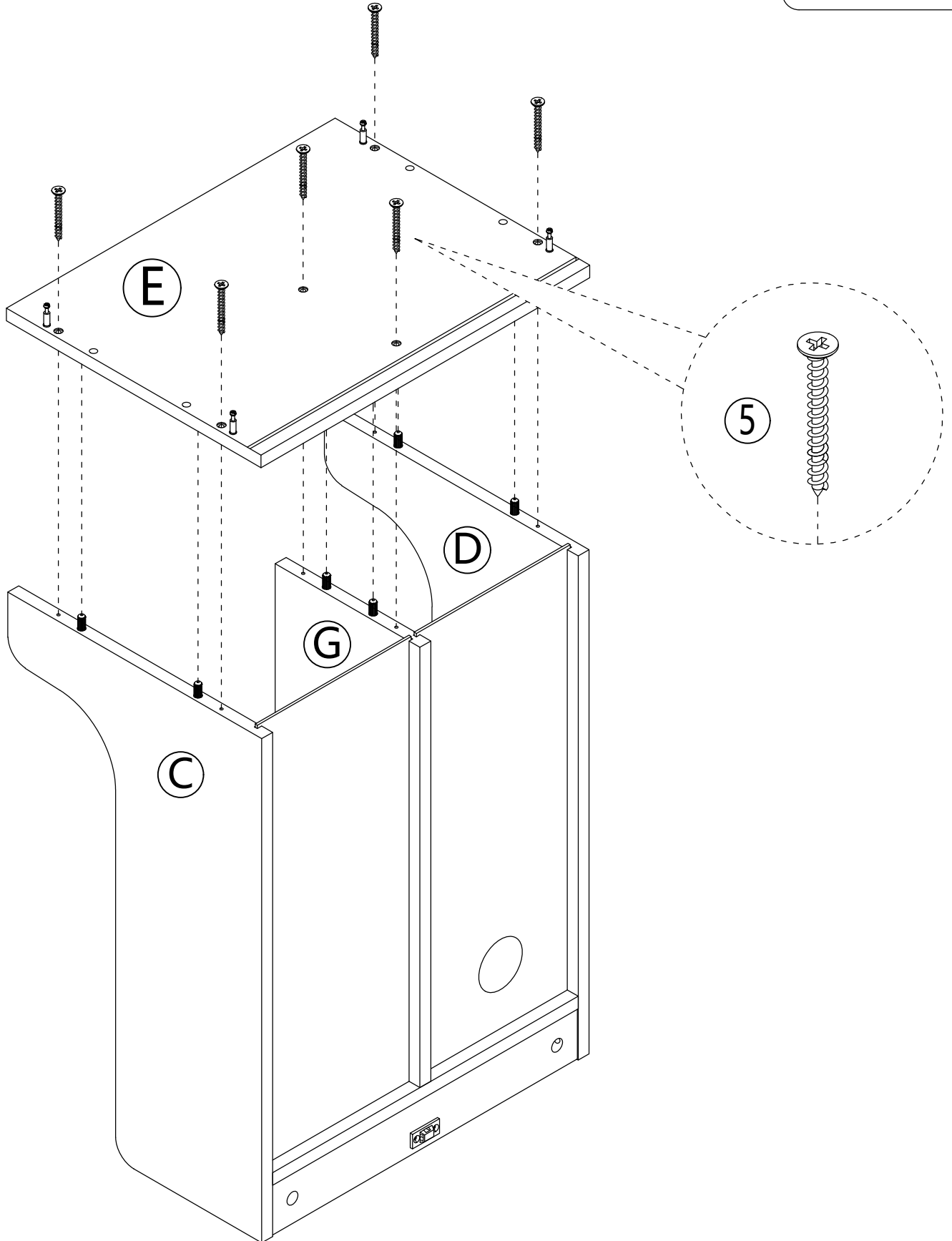
# STEP 12

②	X4
	
ø6*35	




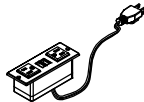
# STEP 13

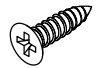
⑤	X6
	
Ø4*35	

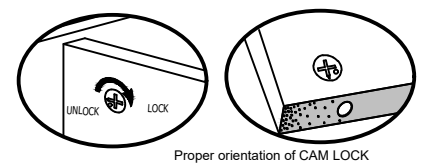
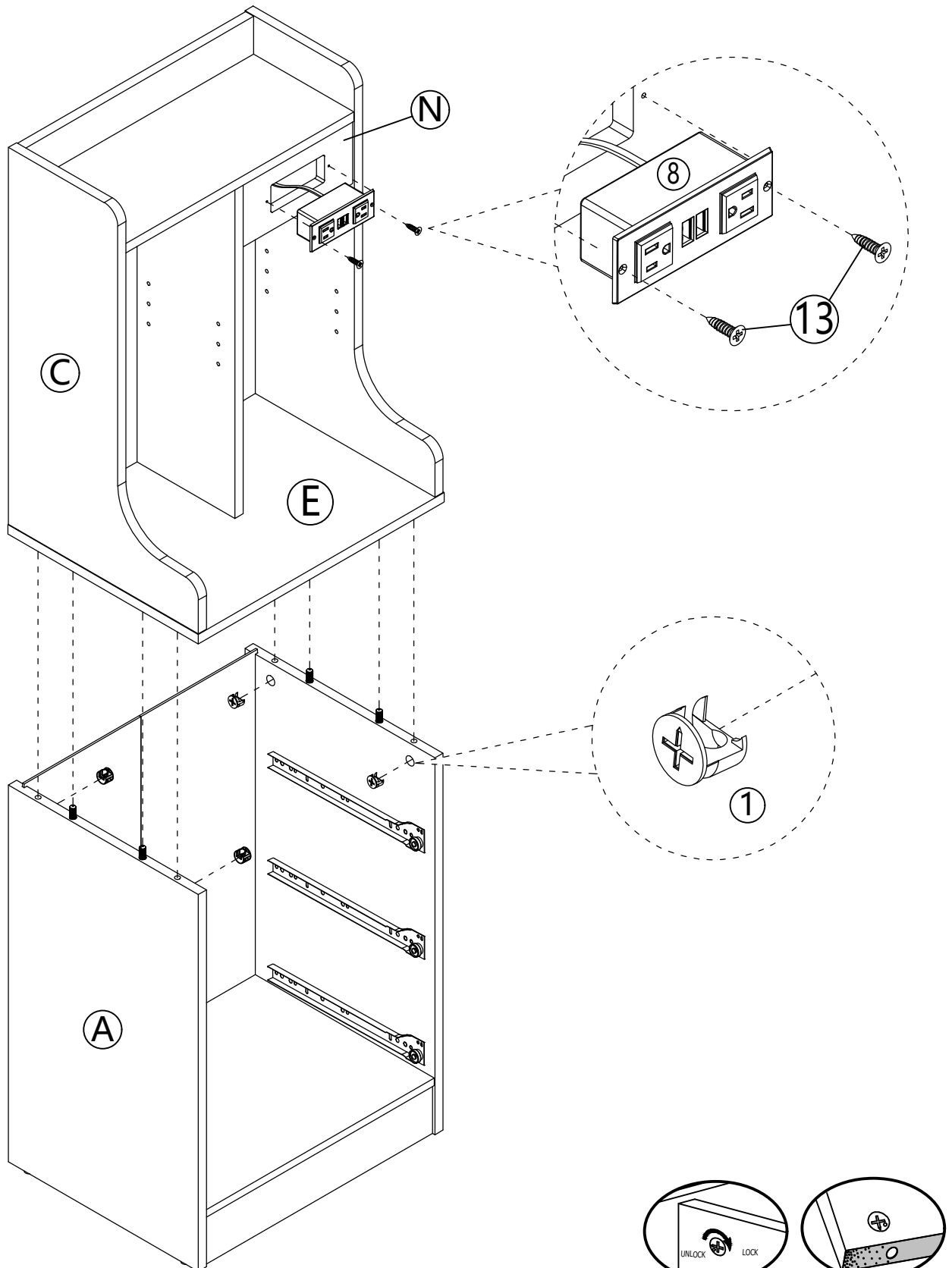


# STEP 14


①	X4
	
ø15*9.5	

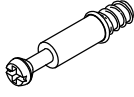
⑧	X1
	
L=1455mm	


⑬	X2
	
ø3*12	

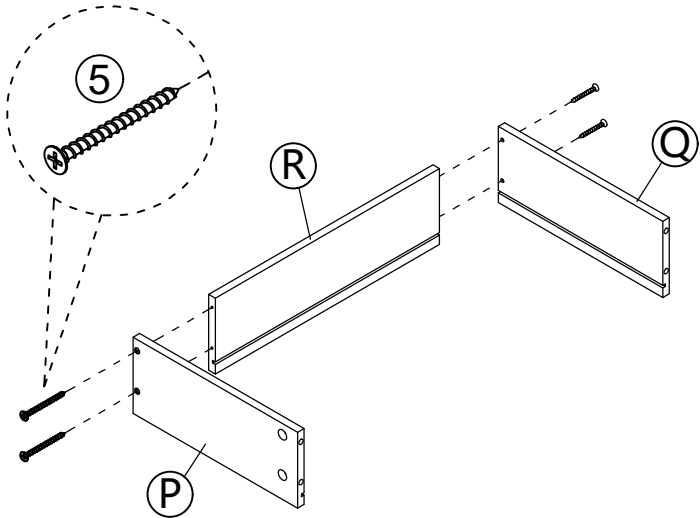


# STEP 15

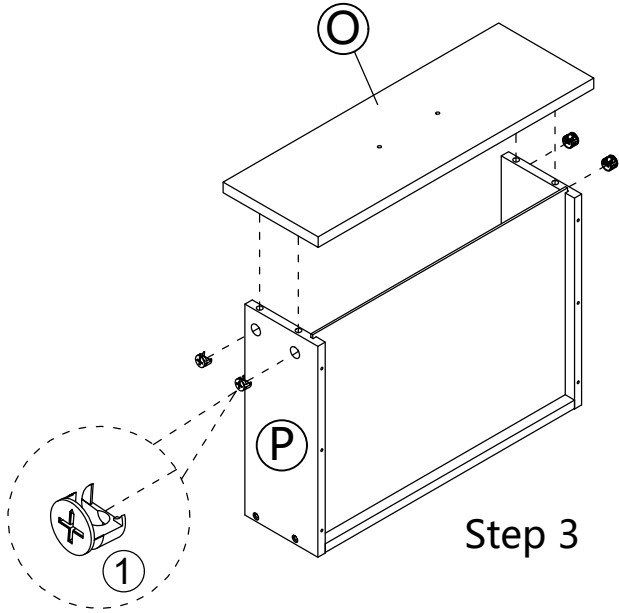
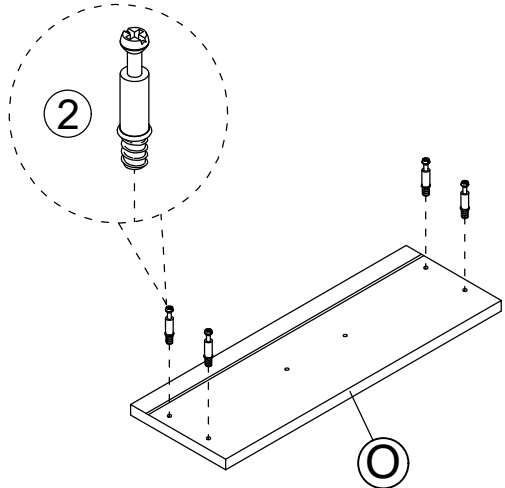
①	X12
	
Ø15*9.5	

②	X12
	
Ø6*35	

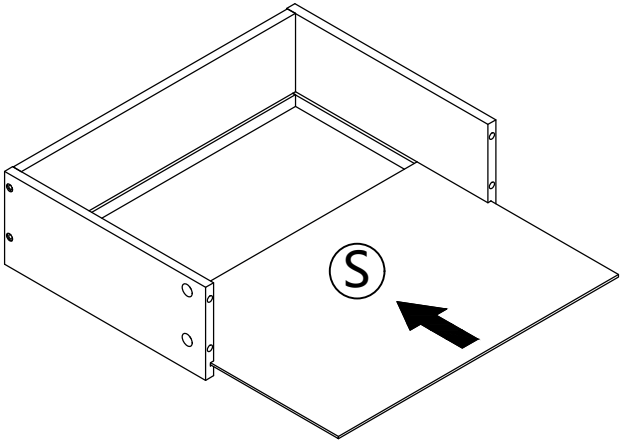
⑤	X12
	
Ø4*35	



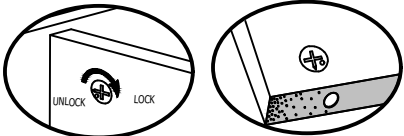
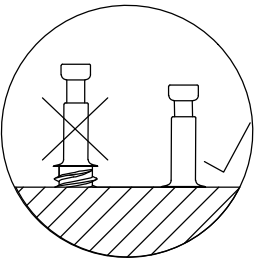
Step 1



Step 3




Step 2

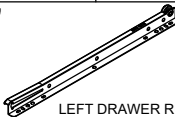


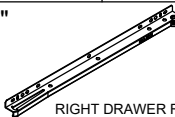
Proper orientation of CAM LOCK

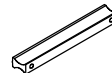
**X3**


# STEP 16

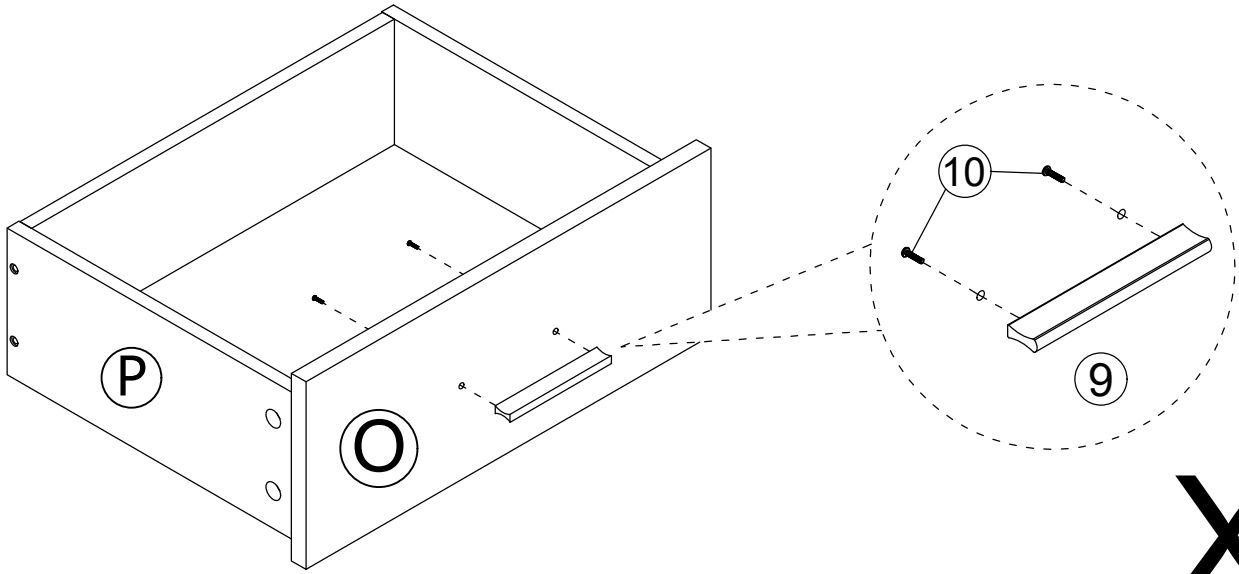
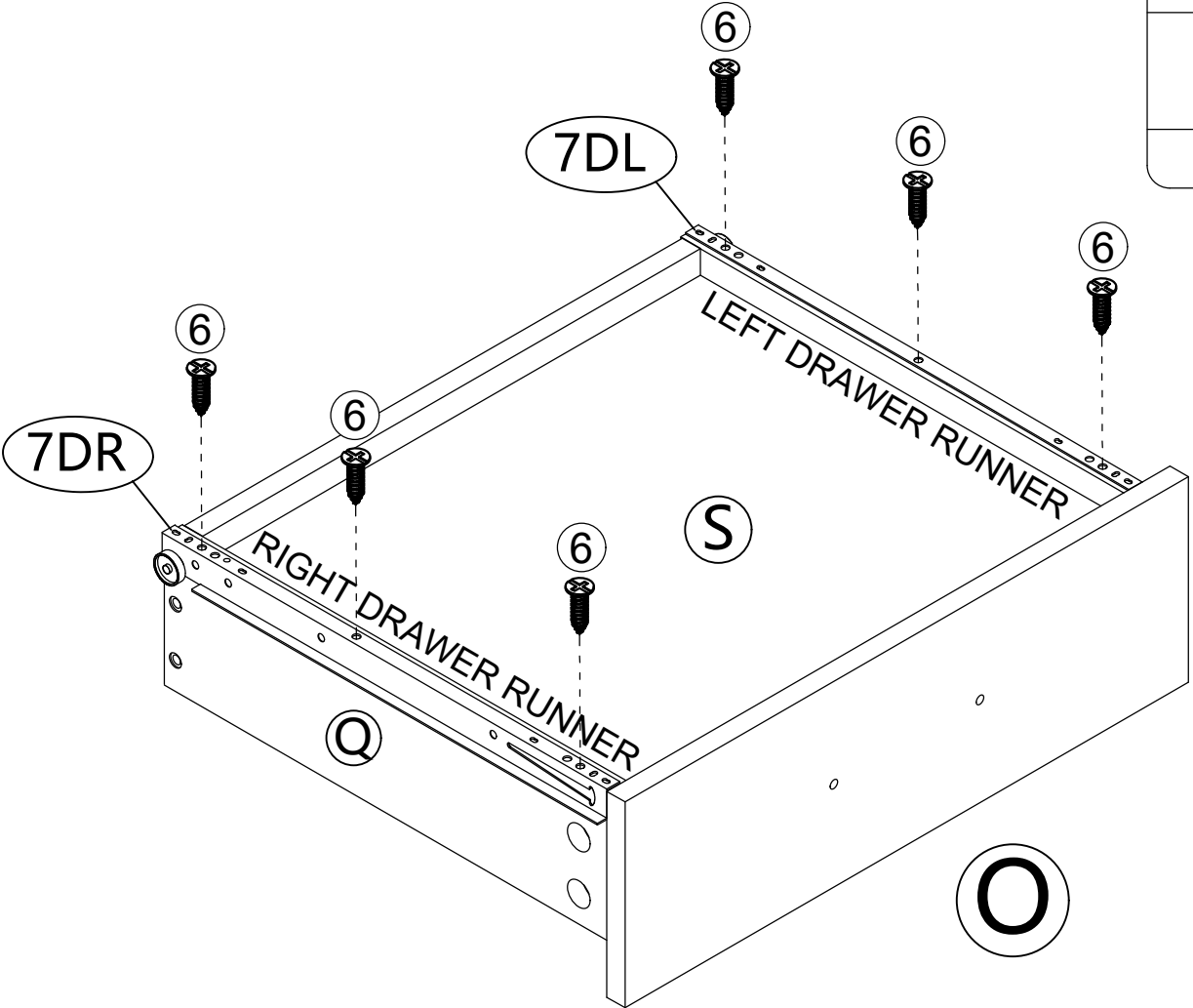
⑥	X18
	
φ3.5*14	

7DL	X3
12"	
LEFT DRAWER RUNNER	
300mm	

7DR	X3
12"	
RIGHT DRAWER RUNNER	
300mm	

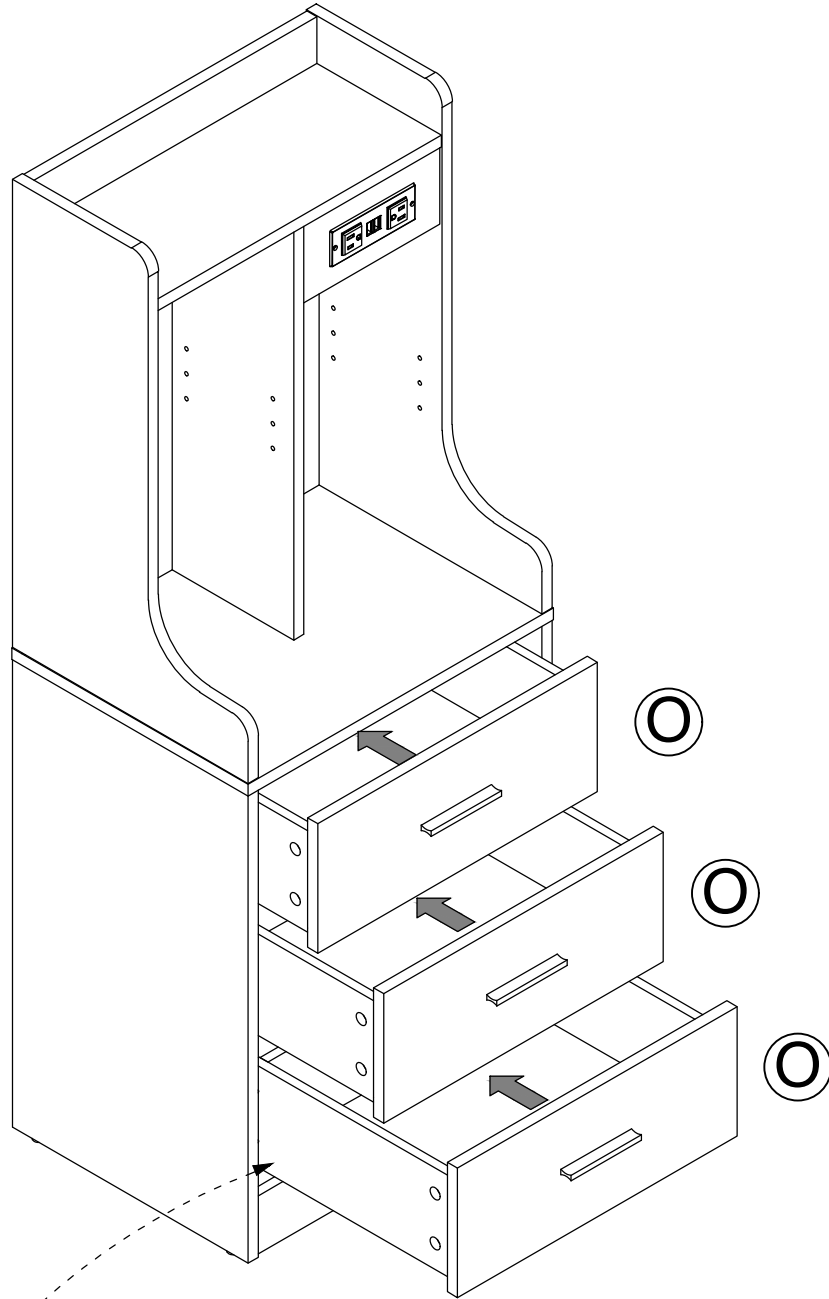
⑨	X3
	
106*16*8	

⑩	X6
	
φ4*18	

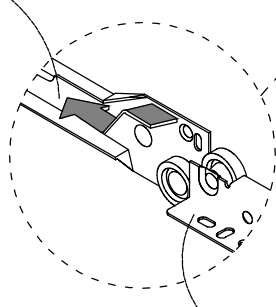


**X3**

# STEP 17


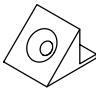


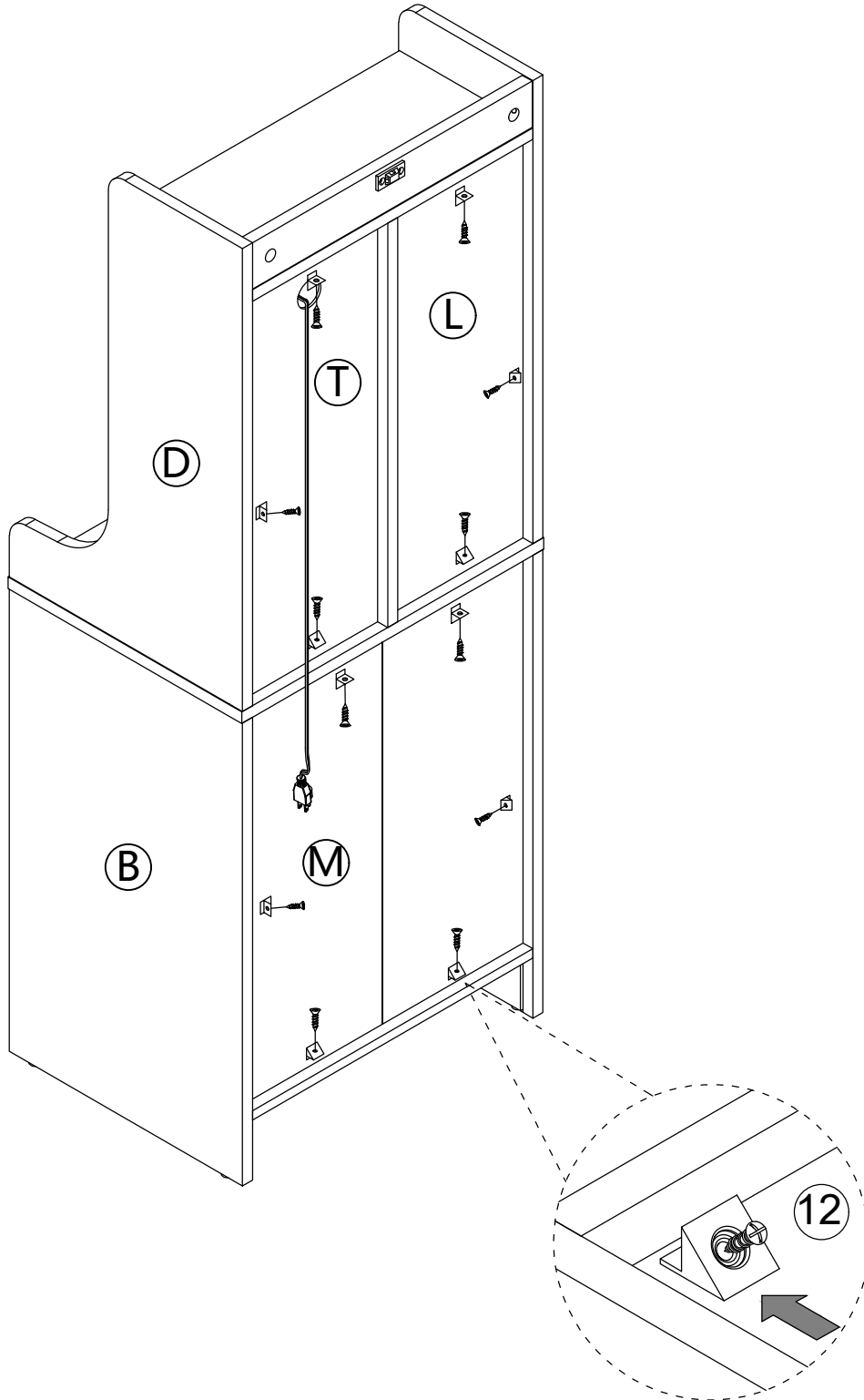
Cabinet Slide



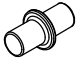
Drawer Slide

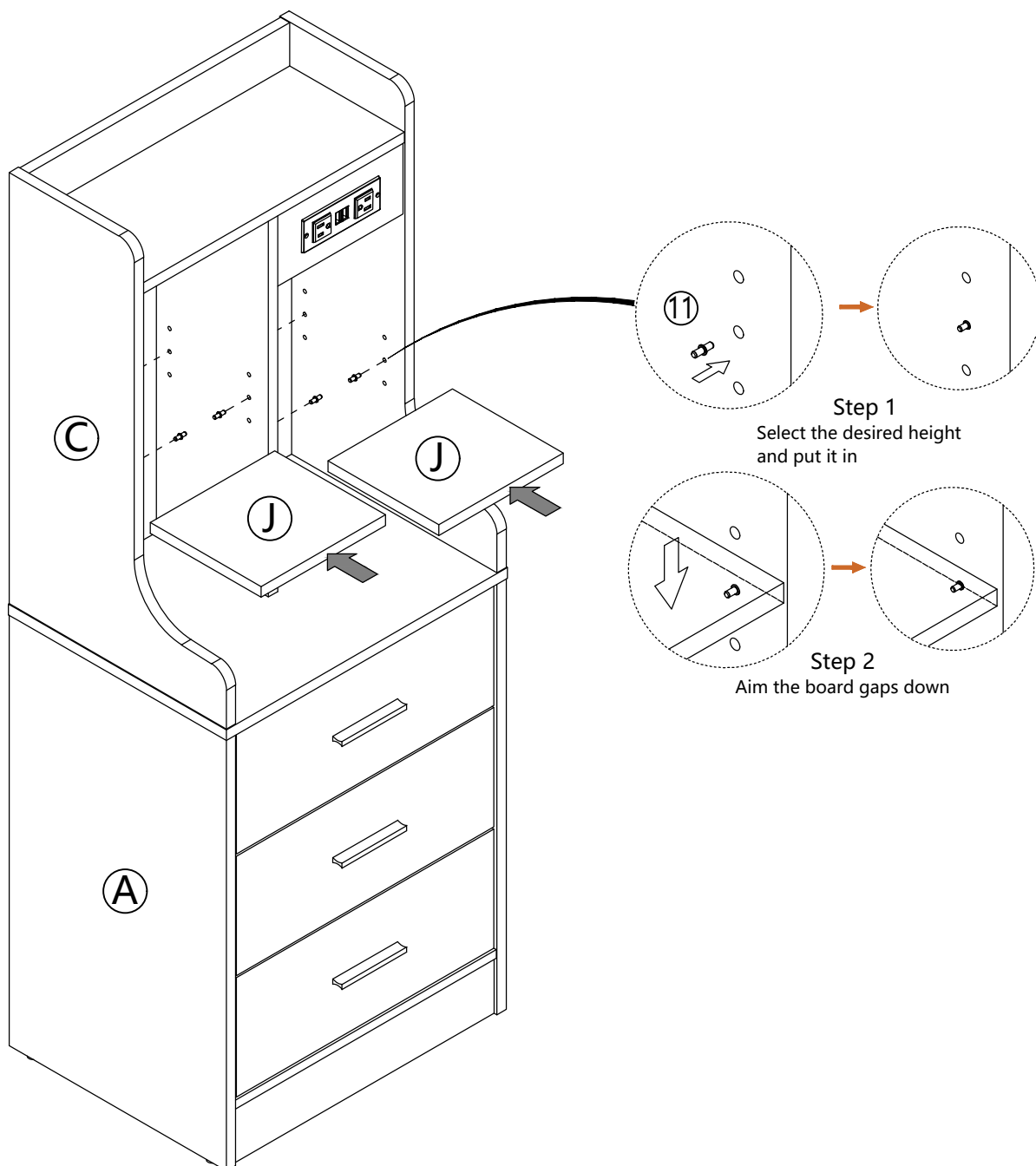
# STEP 18

12	X12set
 Ø3X14mm	

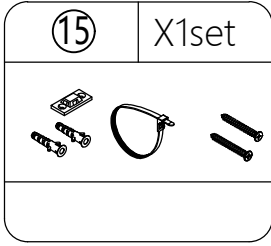


# STEP 19

11	X8
	
ø5*16	



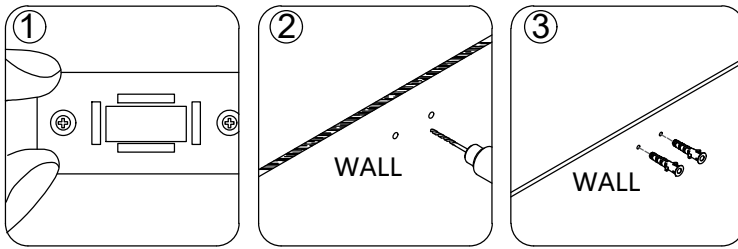
# STEP 20



**NOTE:**The tipping restraint hardware included is for wooden stud wall construction. It must be attached to a wall stud. Depending upon your wall construction different anchor hardware maybe required. Please contact your local hardware store for assistance. Young children can be seriously injured by tipping furniture. You must install the tipping restraint hardware with the unit to prevent the unit from tipping, causing any accidents or damage. The tipping restraints are intended only as a deterrent and are not a substitute for proper adult supervision. The tipping restraints are not earthquake restraints. If you wish to add the extra security of earthquake restraints, they must be purchased and installed separately.



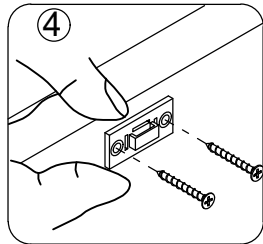
## Install the tipping restraint hardware



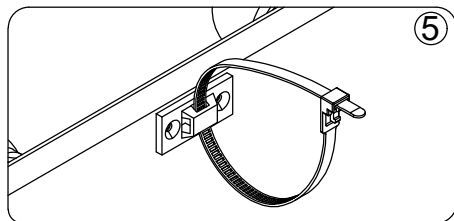
1. make mark on the wall

2. drill two  $\phi 6$  holes on the wall

3. put two anchors in the holes



4. fix the device on the wall by the long screws



5. Push the cabinet close to the wall so that the two bases are close to each other, and then put on nylon tie to tighten it.

