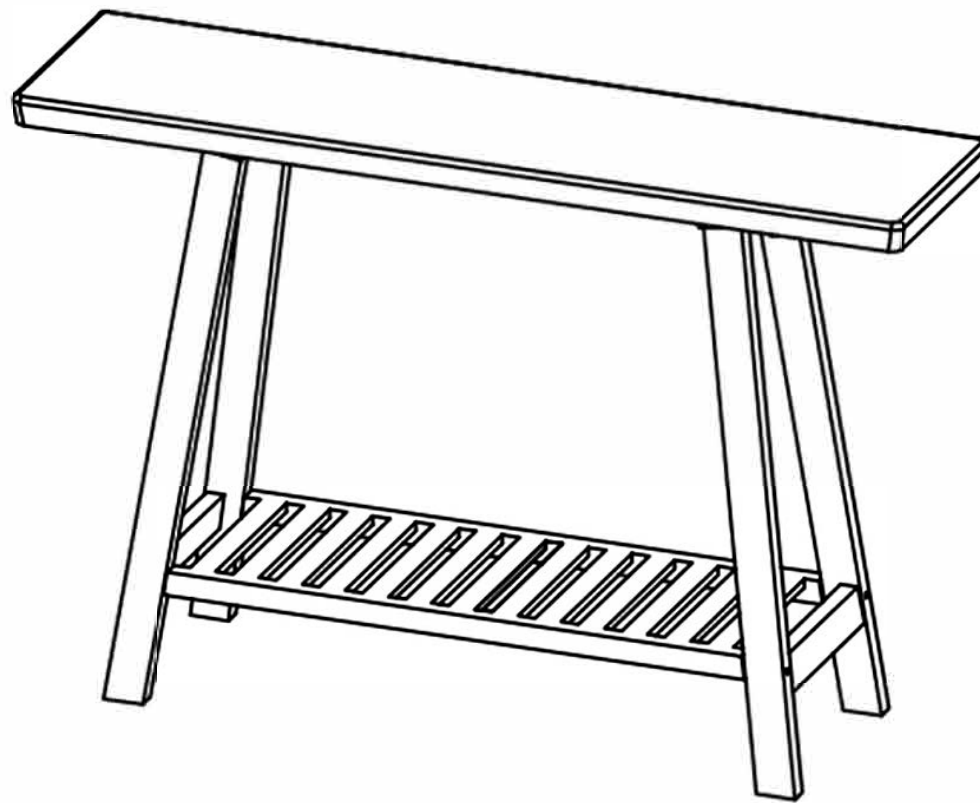



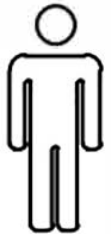

ASSEMBLY INSTRUCTIONS

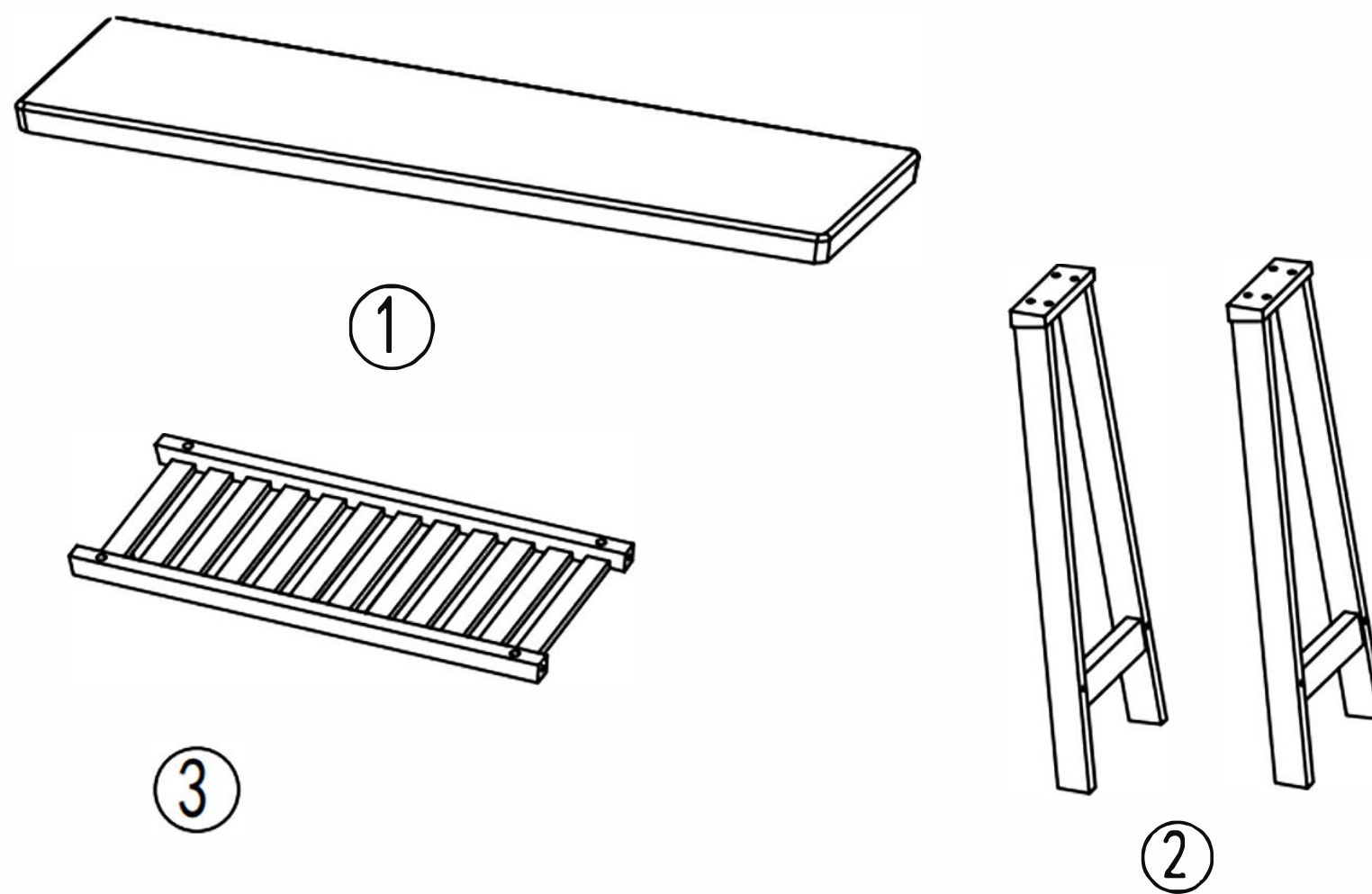
Caution : Please check whether the bolts are loose every 3-6 months and tighten the bolts .













NOTE: To reduce the risk of furniture tipover. Always install tipover restraint provided.

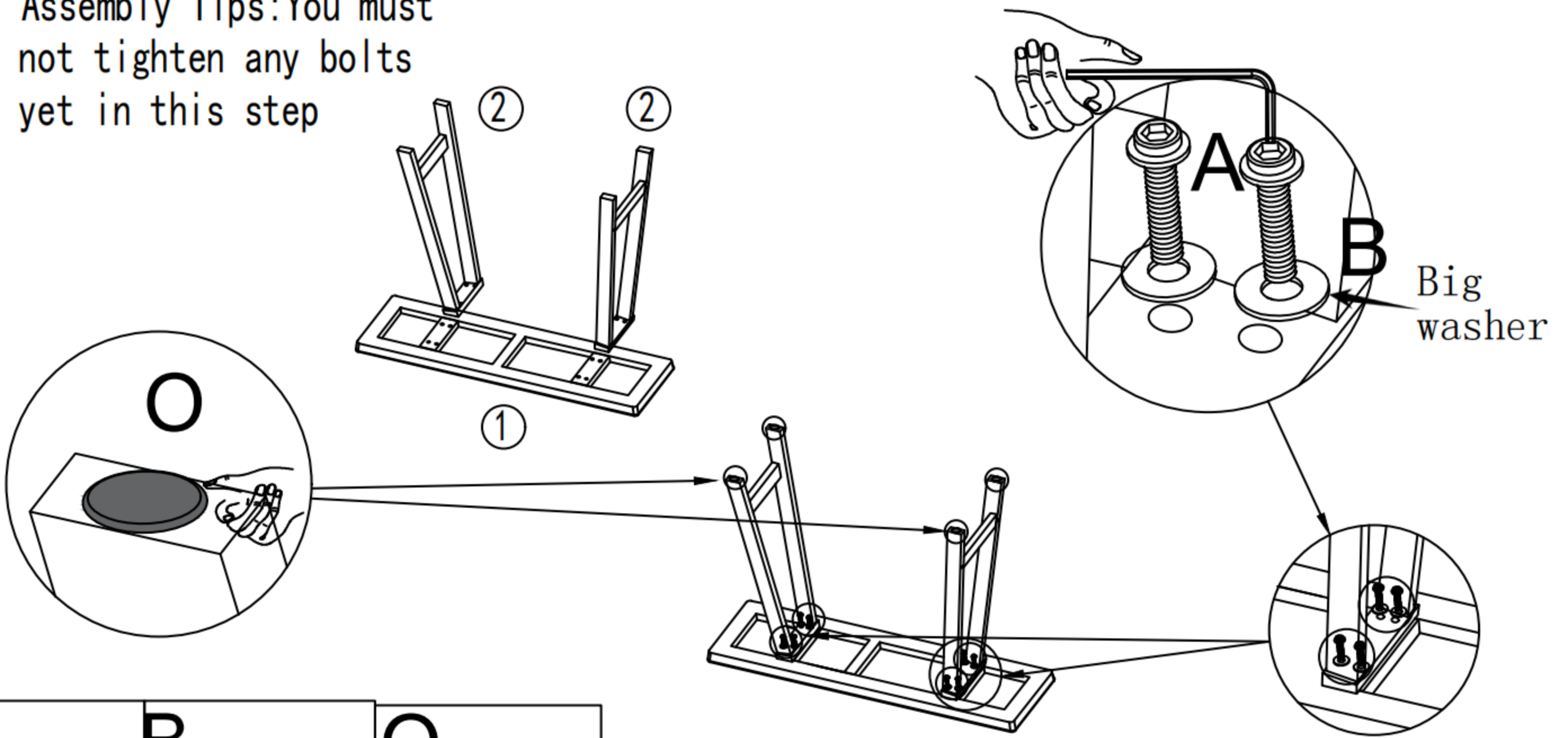
If there is any missing, please kindly send us messages to let us know the name of missing part regarding to the first page of instructions. We will send replacement to you asap. We are concerned about each customer's experience, if there is any loss or damage, please contact us at any time, we will provide effective solutions. Please attach your Order ID so that we can assist you better.




 10MIN		
--	---	---



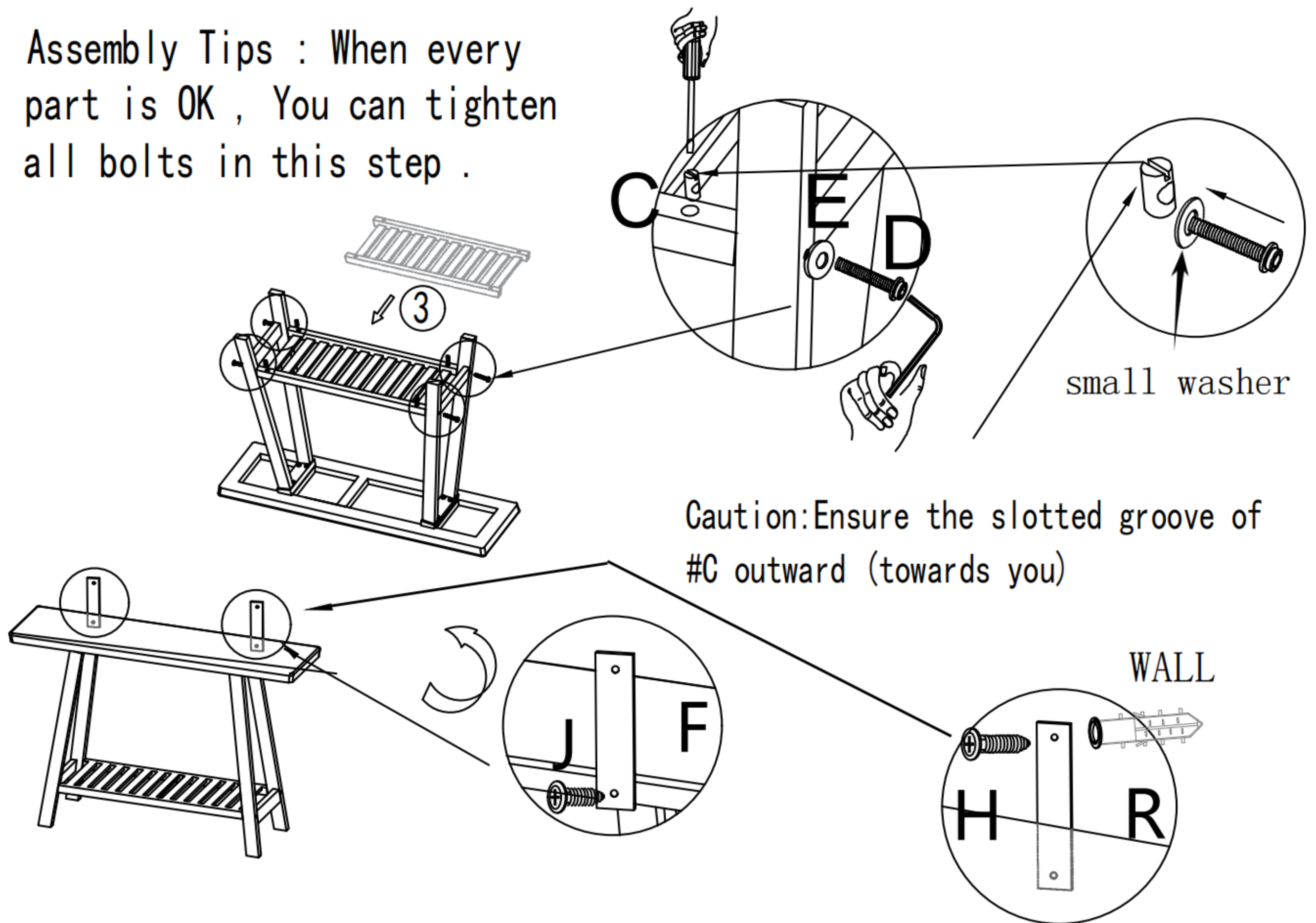
F  x2	J  Ø4*14mm x2	H  Ø4*35mm x2	R  x2	O  x4+2
A  Ø6*40mm x8+1	B  x8+1	C  Ø6*15mm x4+1	D  Ø6*70mm x4+1	E  x4+1








1 Assembly Tips: You must not tighten any bolts yet in this step



<p>A</p>  <p>Ø6*40mm x8</p>	<p>B</p>  <p>x8</p>	<p>O</p>  <p>x4</p>
---	---	---

2 Assembly Tips : When every part is OK , You can tighten all bolts in this step .



<p>C</p>  <p>Ø6*15mm x4</p>	<p>D</p>  <p>Ø6*70mm x4</p>	<p>E</p>  <p>x4</p>	<p>F</p>  <p>x2</p>	<p>J</p>  <p>Ø4*14mm x2</p>	<p>H</p>  <p>Ø4*35mm x2</p>	<p>R</p>  <p>x2</p>
---	---	---	--	---	---	---