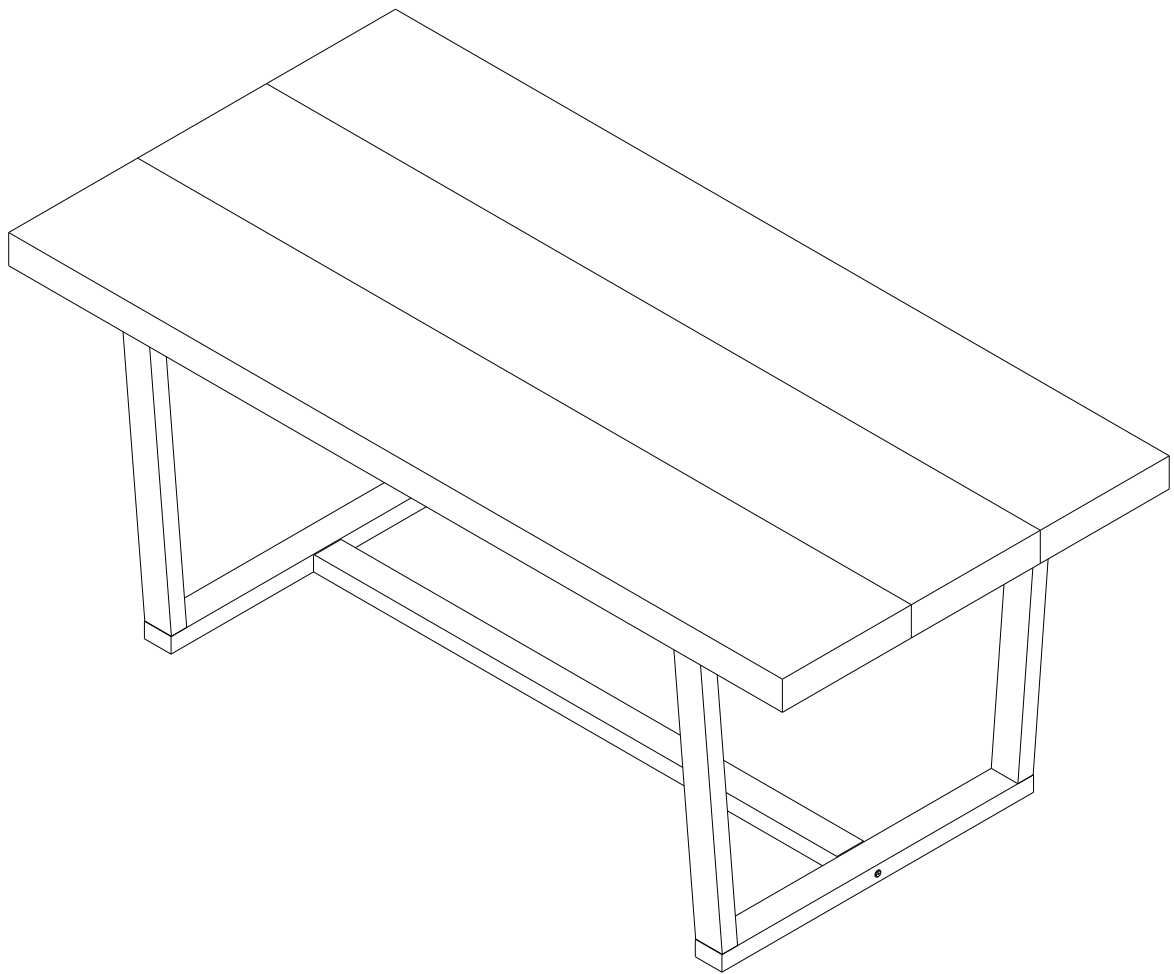
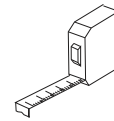
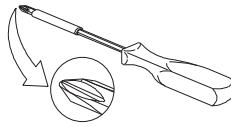
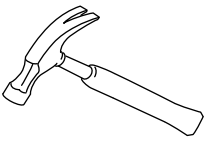


Assembly Instructions



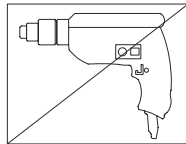
General assembly guidelines

- I. Ensure that all parts and hardware are available before beginning assembly.
- II. Follow each step carefully to ensure the proper assembly of this product.
- III. Two people are recommended for ease in the assembly of this product.
- IV. The three main types of hardware used to assemble this product are wood dowels, screws and bolts.
- V. A hammer, a Phillips head screwdriver and a tape measure are required of this product.

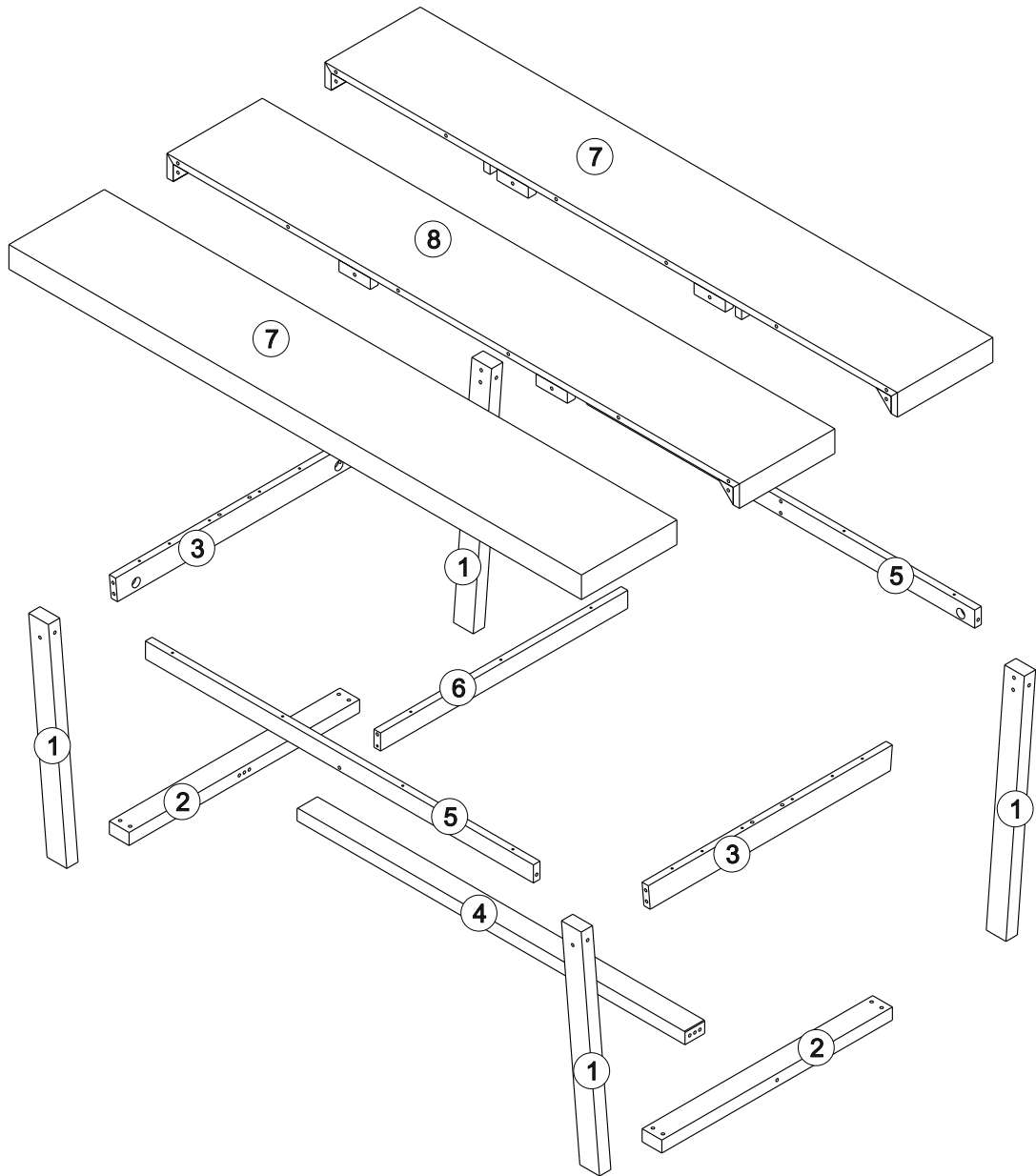


Tape measure

- VI. Power tools should not be used to assemble this product.

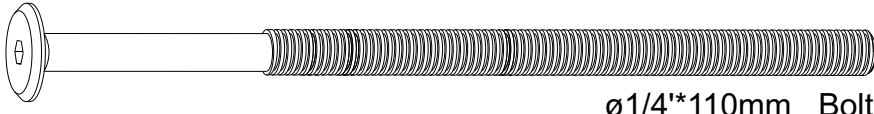
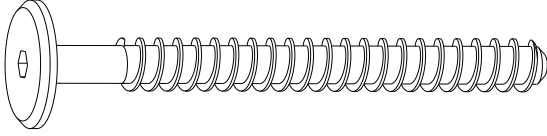
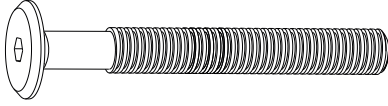
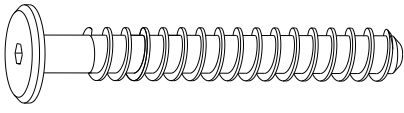
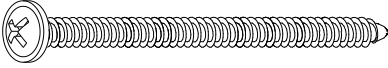
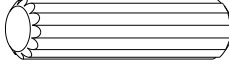





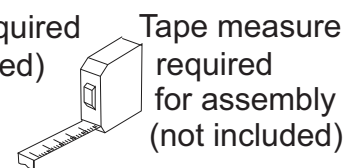
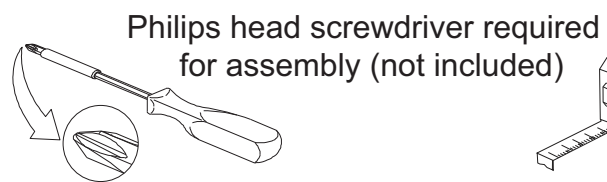
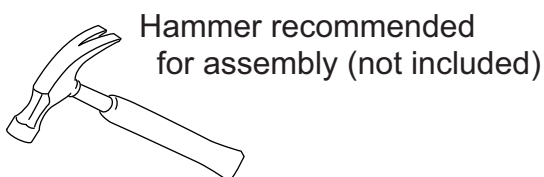
Parts List



Part #	Description	Qty
1	Foot Post	04 pcs
2	Lower Batten	02 pcs
3	Upper Batten	02 pcs
4	Lower Center Batten	01 pc
5	Upper Support Rail	02 pcs
6	Upper Center Batten	01 pc
7	Side Top Panel	02 pcs
8	Center Top Panel	01 pc

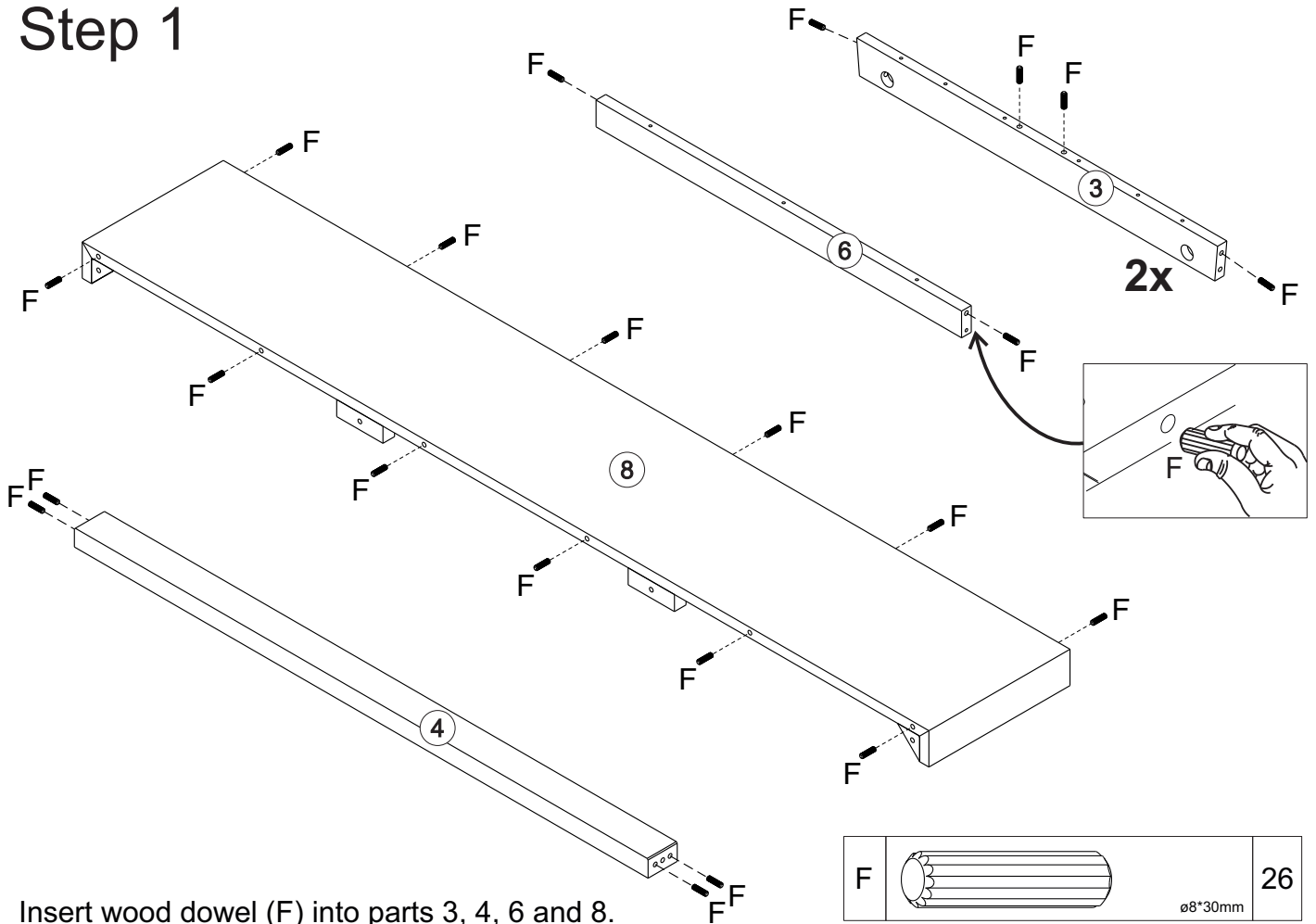
Hardware List

A		ø1/4"*110mm Bolt		10 pcs
B		ø7*70mm	Bolt	08 pcs
C		ø1/4"*50mm	Bolt	08 pcs
D		ø7*50mm	Bolt	02 pcs
E		ø4*50mm	Screw	23 pcs
F		ø8*30mm	Wooden dowel	26 pcs
G		ø1/4"	Barrel nut	10 pcs
H			Plastic foot	04 pcs
I		M4	Hex key	01 pc



*The hardware quantities listed above are required for proper assembly
Some extra hardware may also have been included.*

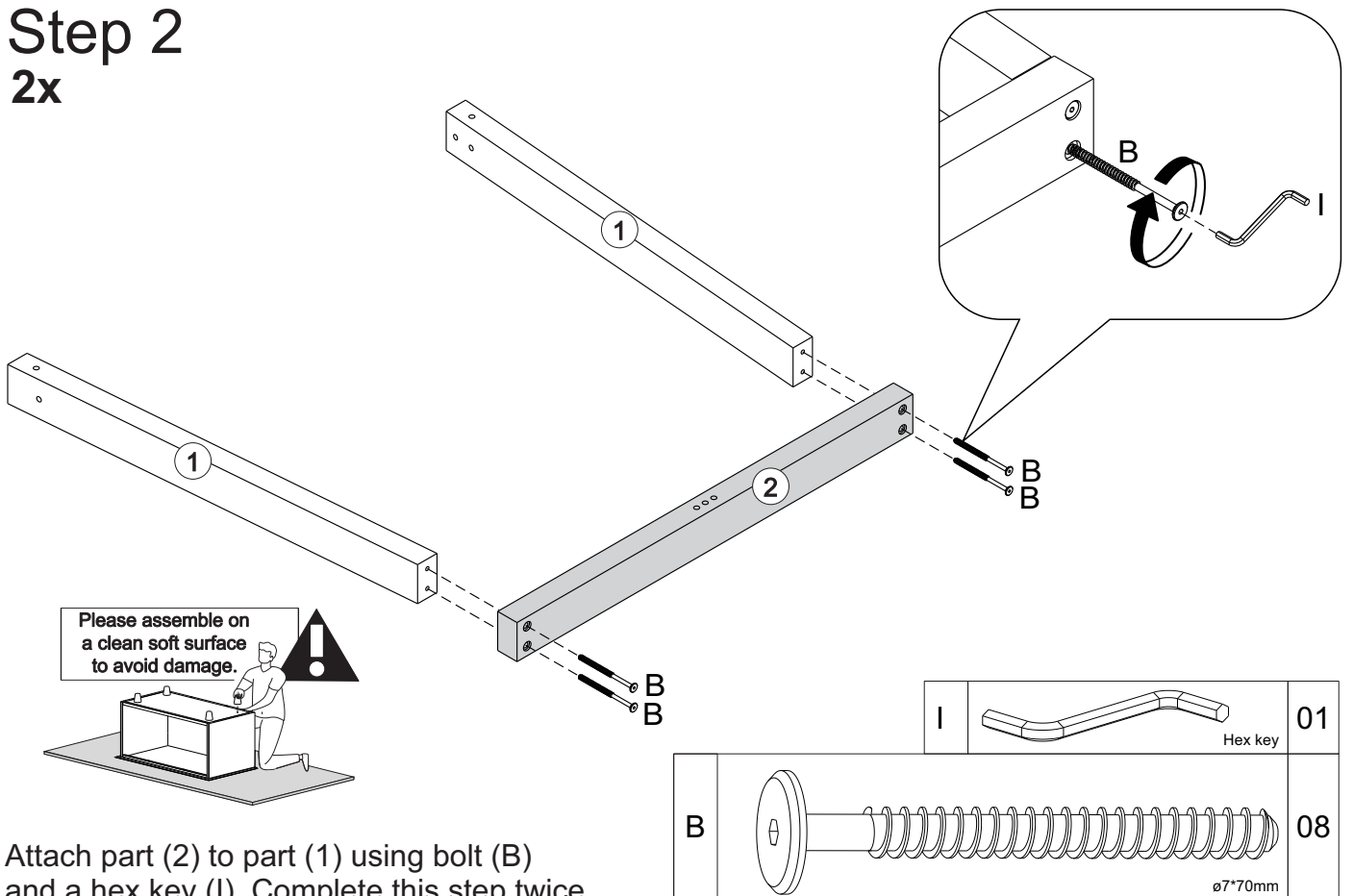
Step 1



Insert wood dowel (F) into parts 3, 4, 6 and 8.

Step 2

2x

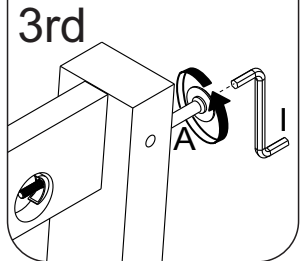
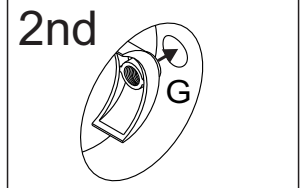
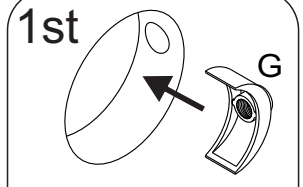
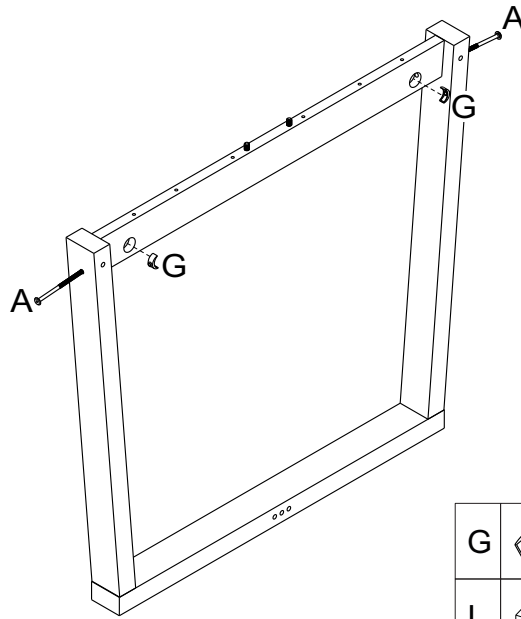
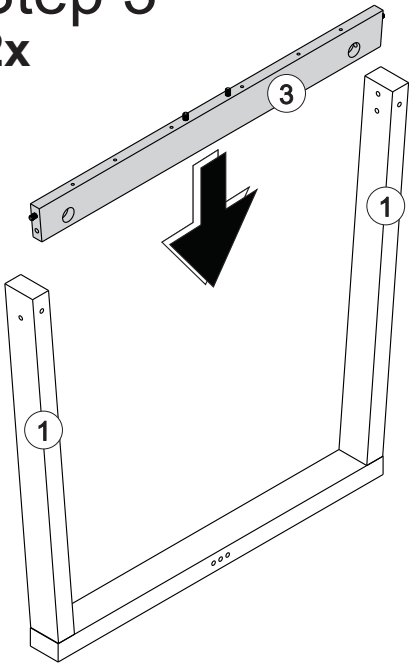




Please assemble on a clean soft surface to avoid damage.

Attach part (2) to part (1) using bolt (B) and a hex key (I). Complete this step twice.


Step 3

2x

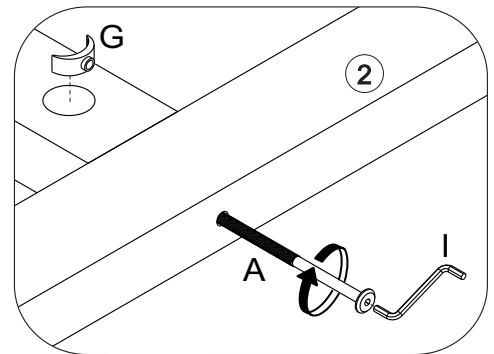
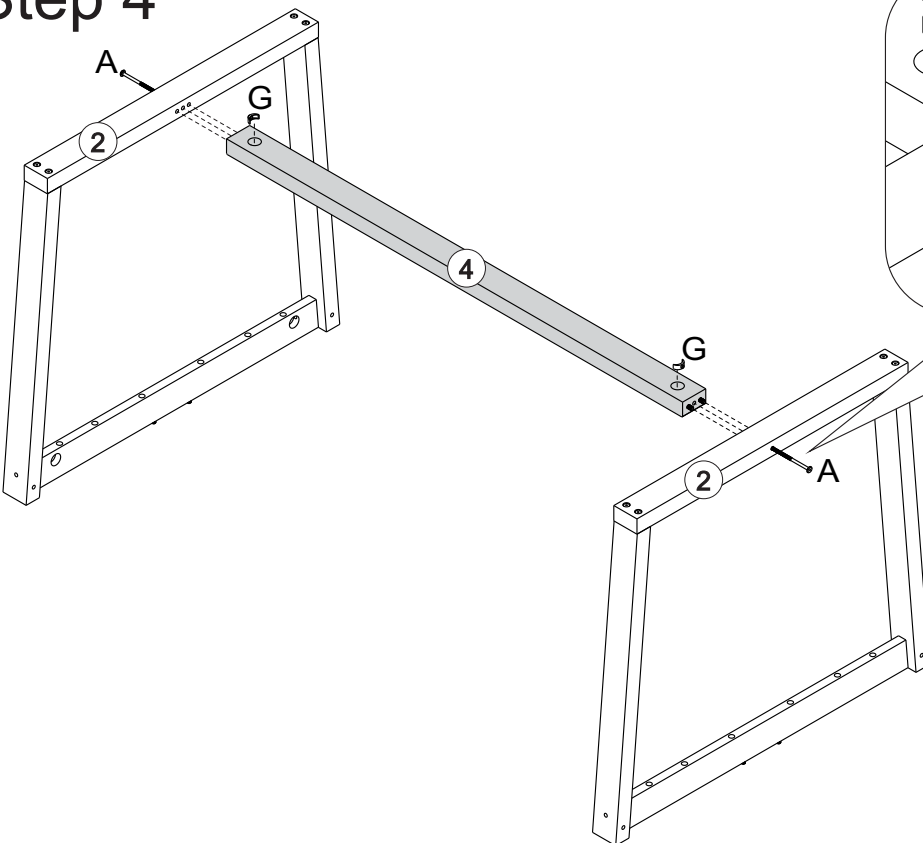




G		Barrel nut	04
I		Hex key	01

Attach part (3) to parts (1) using bolt (A) with barrel nut (G) and hex key (I). Complete this step twice.

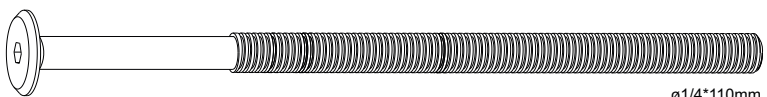
A			04
			$\text{ø}1/4 \times 110\text{mm}$

Step 4

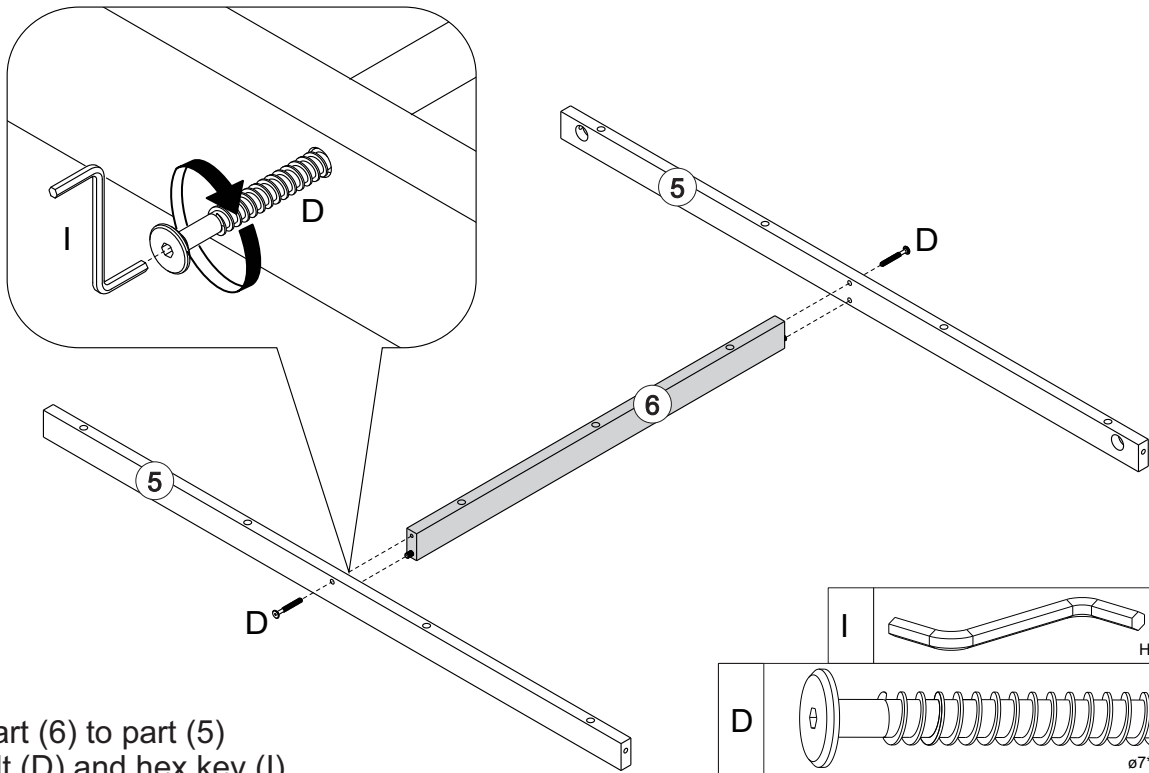


G		Barrel nut	02
I		Hex key	01

Attach part (4) to parts (2) using bolt (A) with barrel nut (G) and hex key (I).

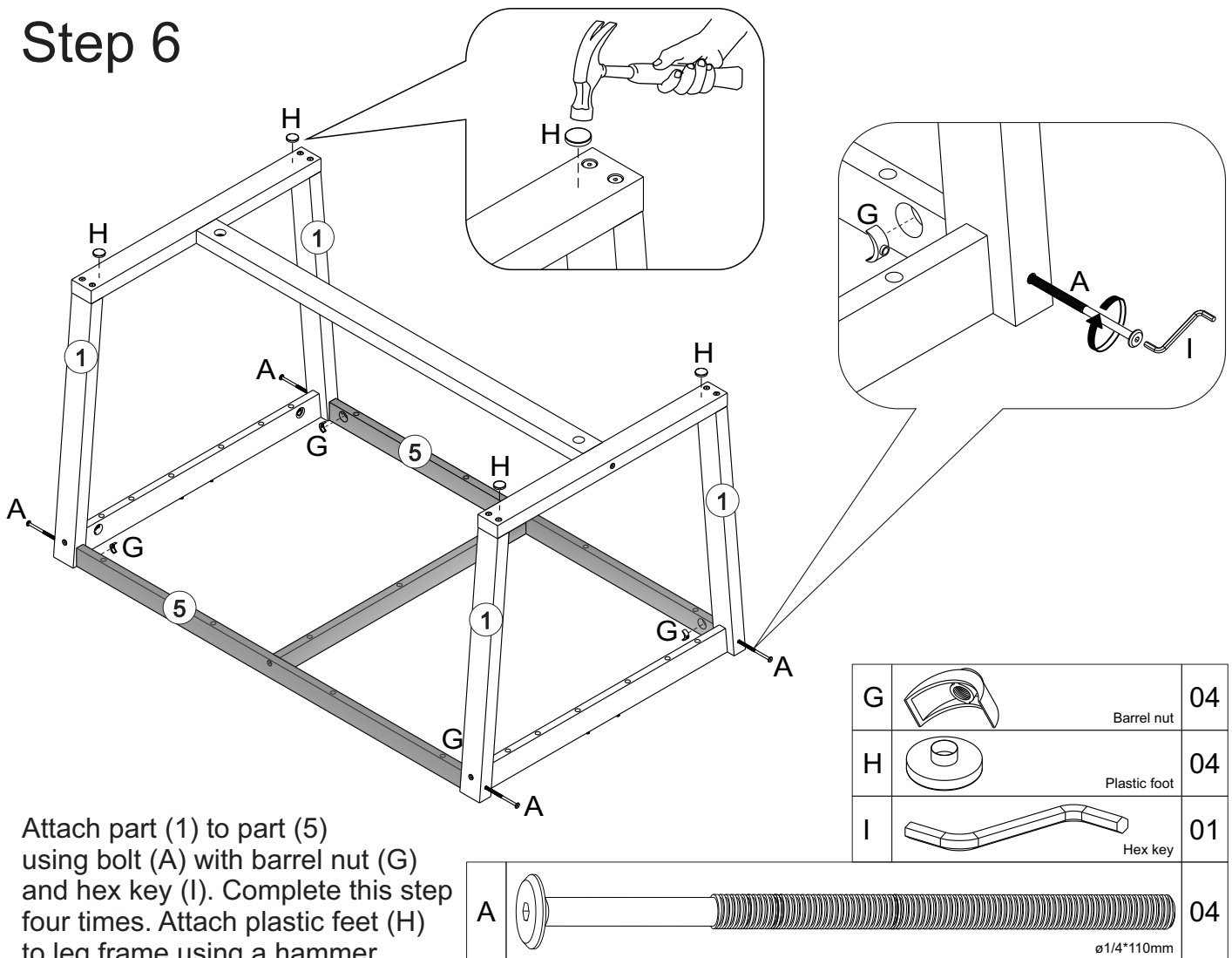
A			02
			$\text{ø}1/4 \times 110\text{mm}$

Step 5



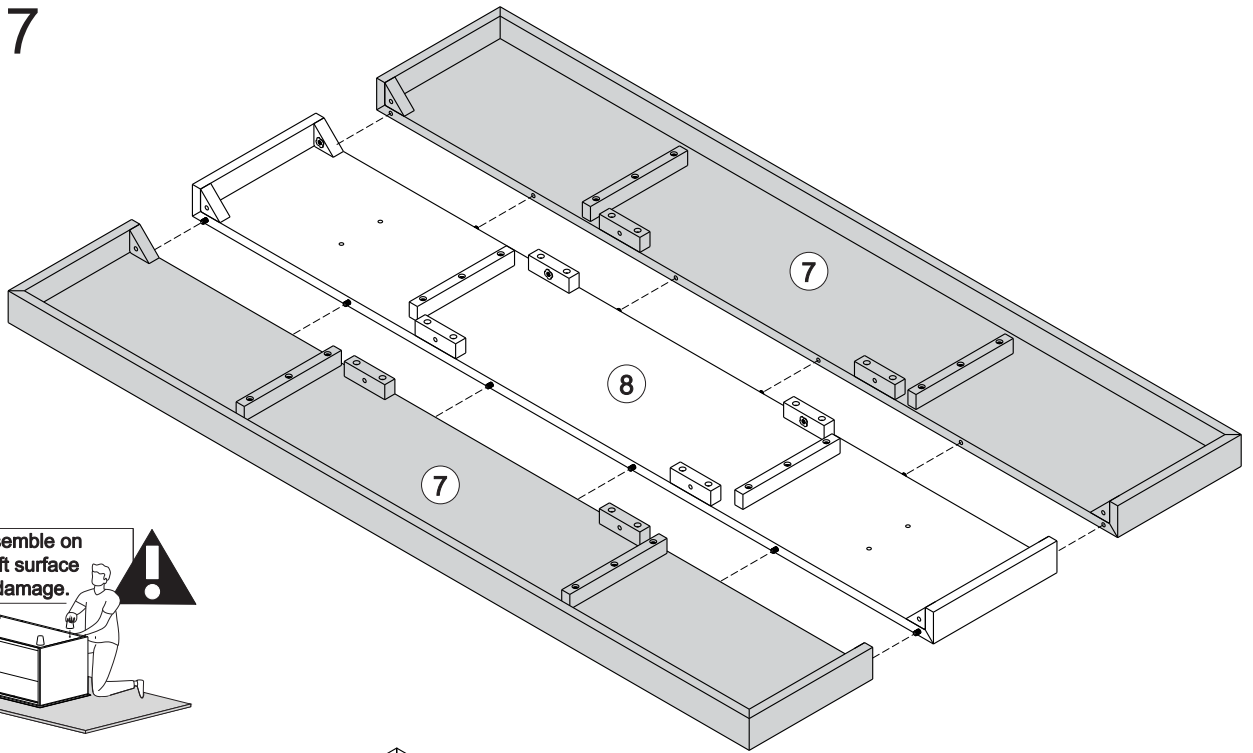
Attach part (6) to part (5) using bolt (D) and hex key (I).

Step 6

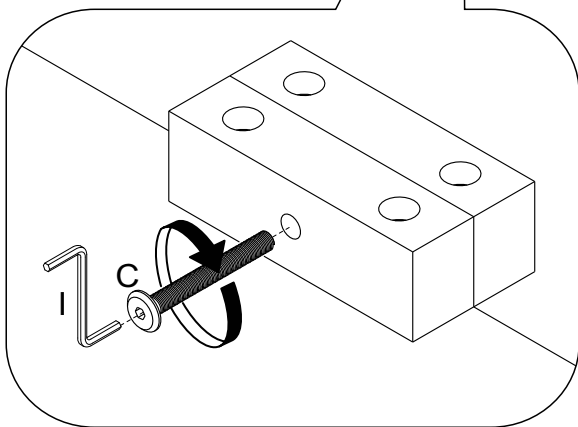
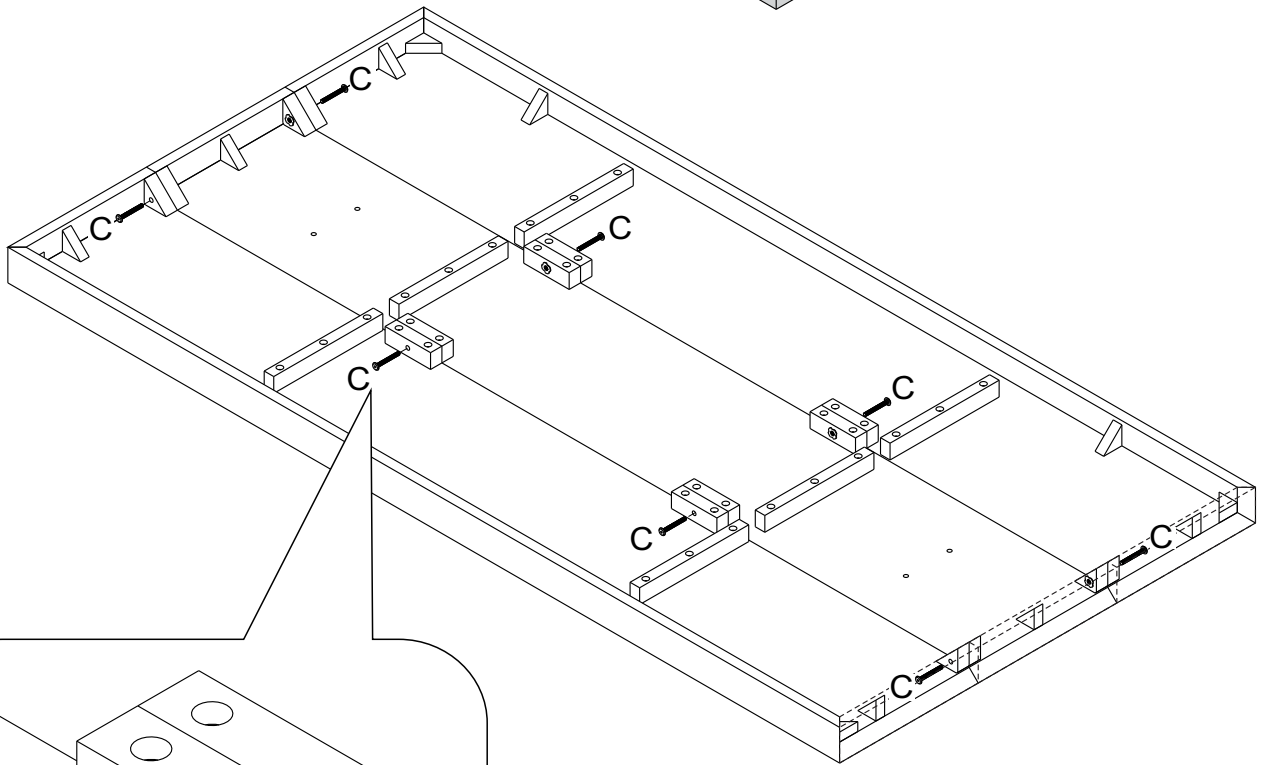


Attach part (1) to part (5) using bolt (A) with barrel nut (G) and hex key (I). Complete this step four times. Attach plastic feet (H) to leg frame using a hammer.

Step 7



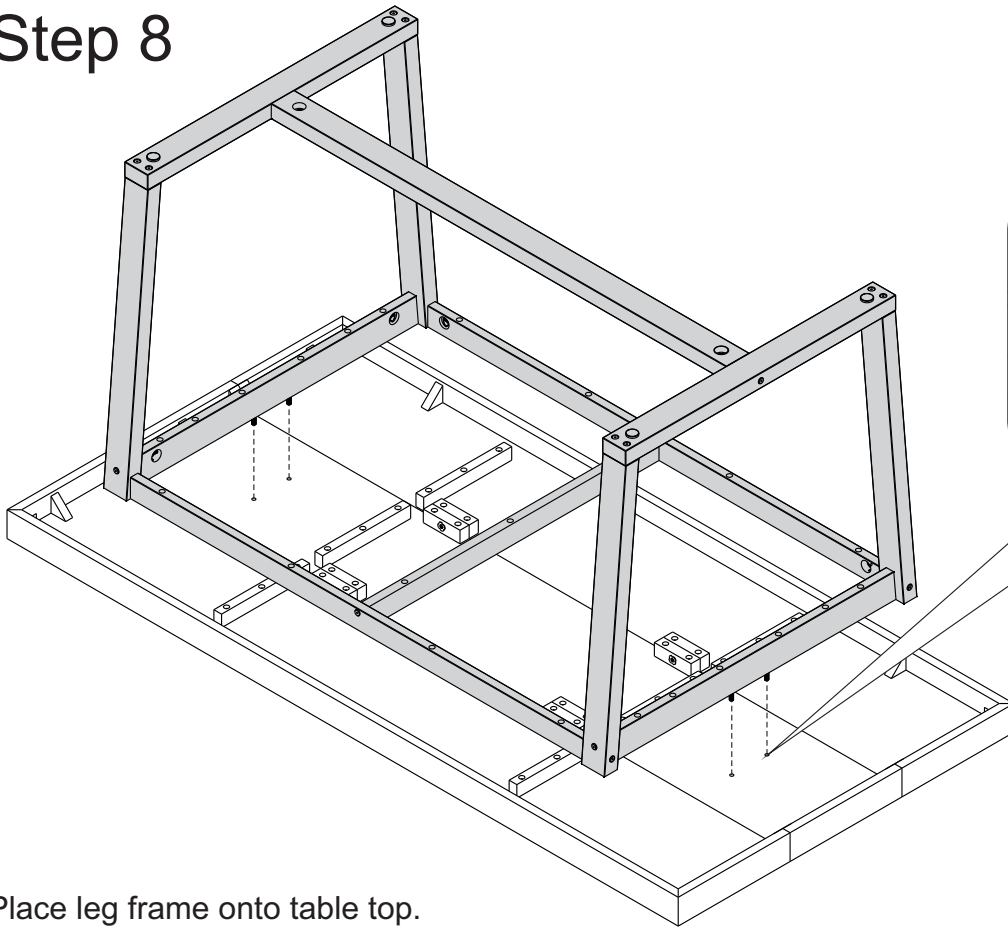
Please assemble on a clean soft surface to avoid damage.



Attach parts (7) to part (8).
Secure the pieces using bolt (C) and hex key (I).

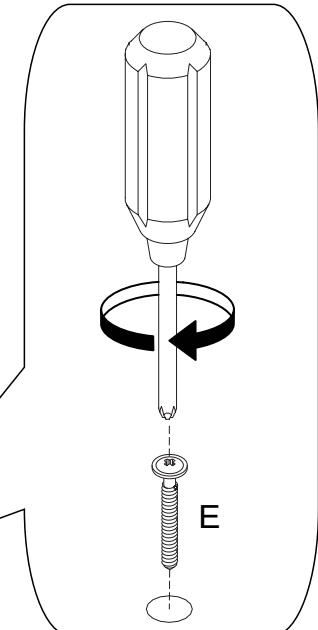
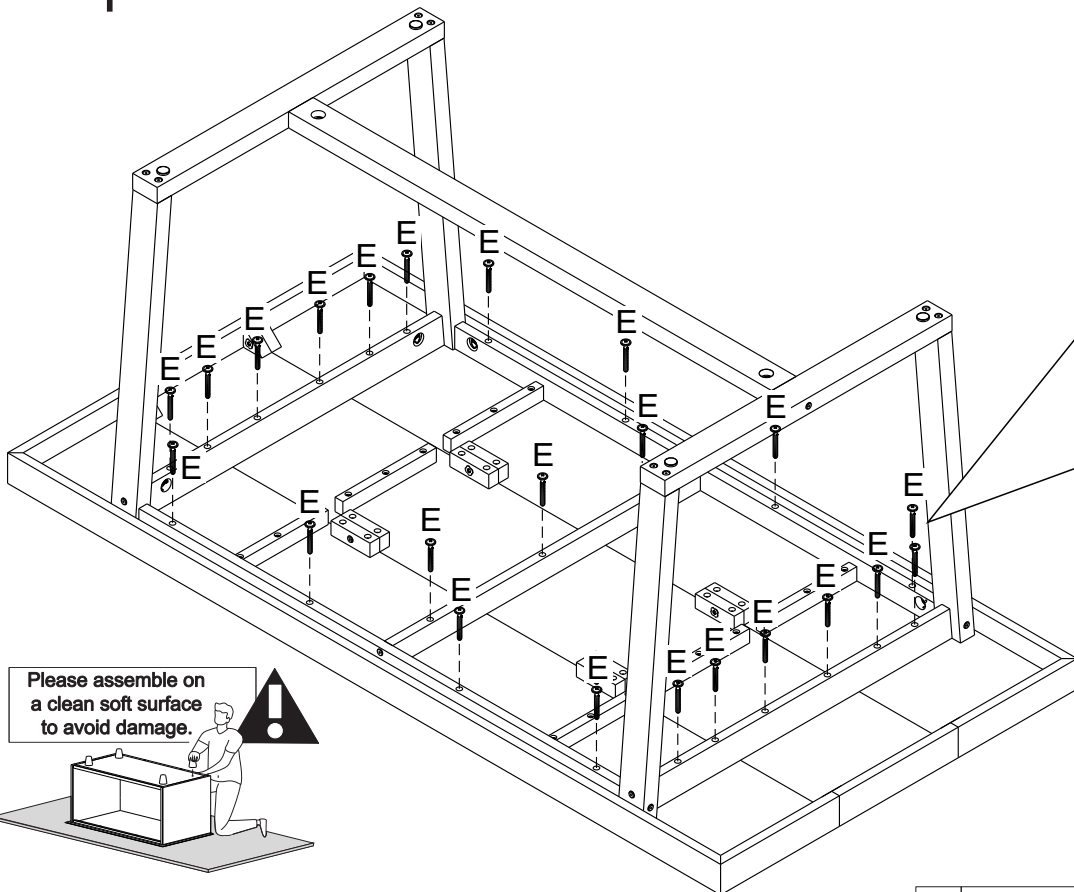
I		01 Hex key
C		08 ø1/4"×50mm

Step 8

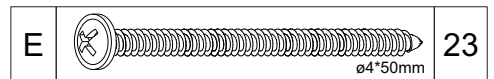


Place leg frame onto table top.

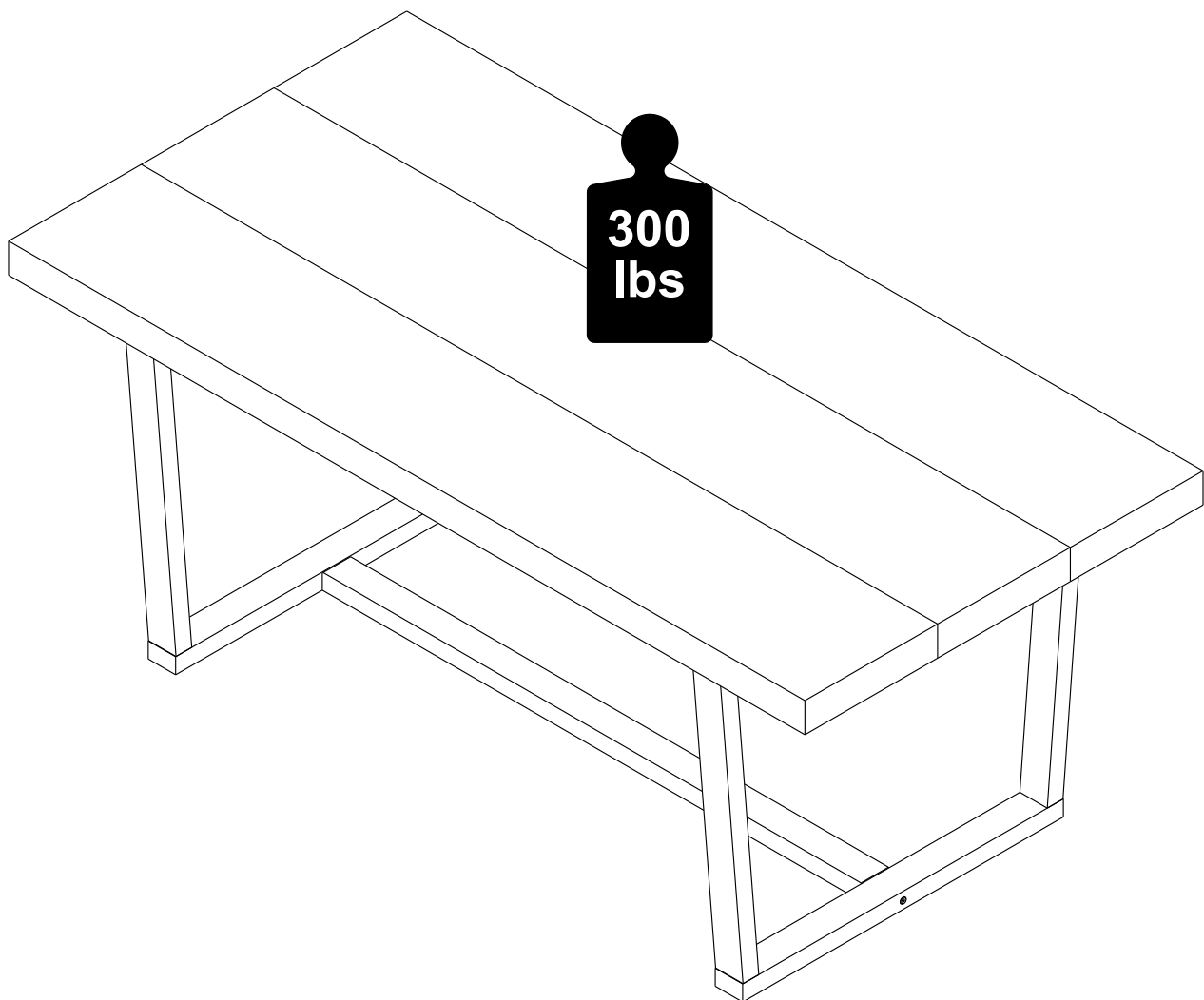
Step 9



Secure leg frame onto table top using screw (E) and a screwdriver.



Step 10



Distributed weight.