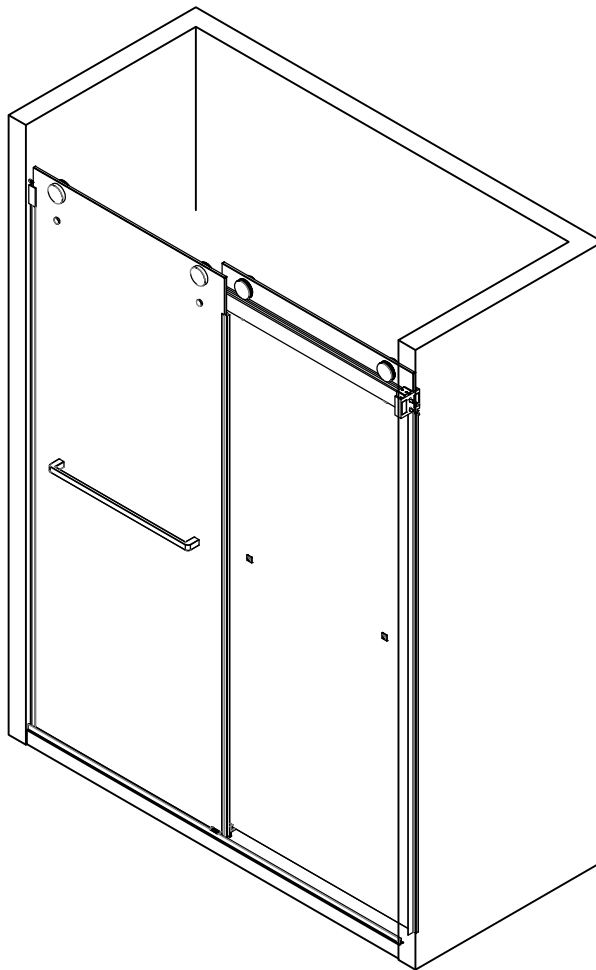


Shower Door
3/8" glass (10mm)

INSTALLATION GUIDE

CAUTION: To reduce the risk of breakage, keep corner protectors on glass while installing
Keep corner protectors for use in case future adjustments are needed.
Consult your local plumbing codes prior to installation.



Applicable model: KJ56K8222、 KJ56K9222、 K08 Series.

PLEASE DO NOT RETURN THE PRODUCT TO THE STORE.
For any questions, contact us at:
zjbc_service@outlook.com

TOOLS REQUIRED

Drill Bits

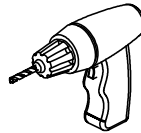


Ø1/4" (6mm) &
Ø5/16" (8mm) DIA
HSS

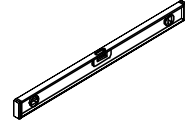
Screw Driver



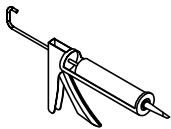
Drill



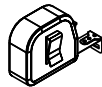
Level



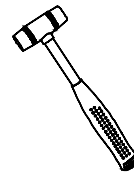
Silicone



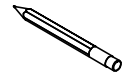
Measuring Tape



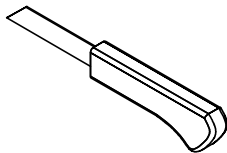
Soft Head Hammer



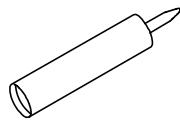
Pencil



Knife



Sealant



MASONRY DRILL BIT FOR TILE Ø6mm



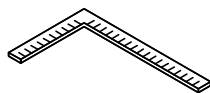
Safety Glasses



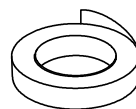
Glove



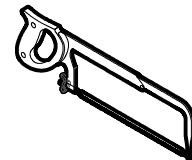
Carpenter's Squarer



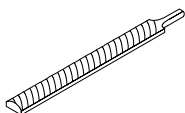
Masking or painter's tape



Hack Saw



Metal File



CAUTION: When cutting or drilling metal components or when handling glass, to reduce the risk of personal injury, protective eye wear, gloves, and closed-toe shoes are required.

SAFETY INFORMATION

CAUTION

Please carefully read the following important safety information before handling or installing this shower. There is a risk of serious injury while handling this product.

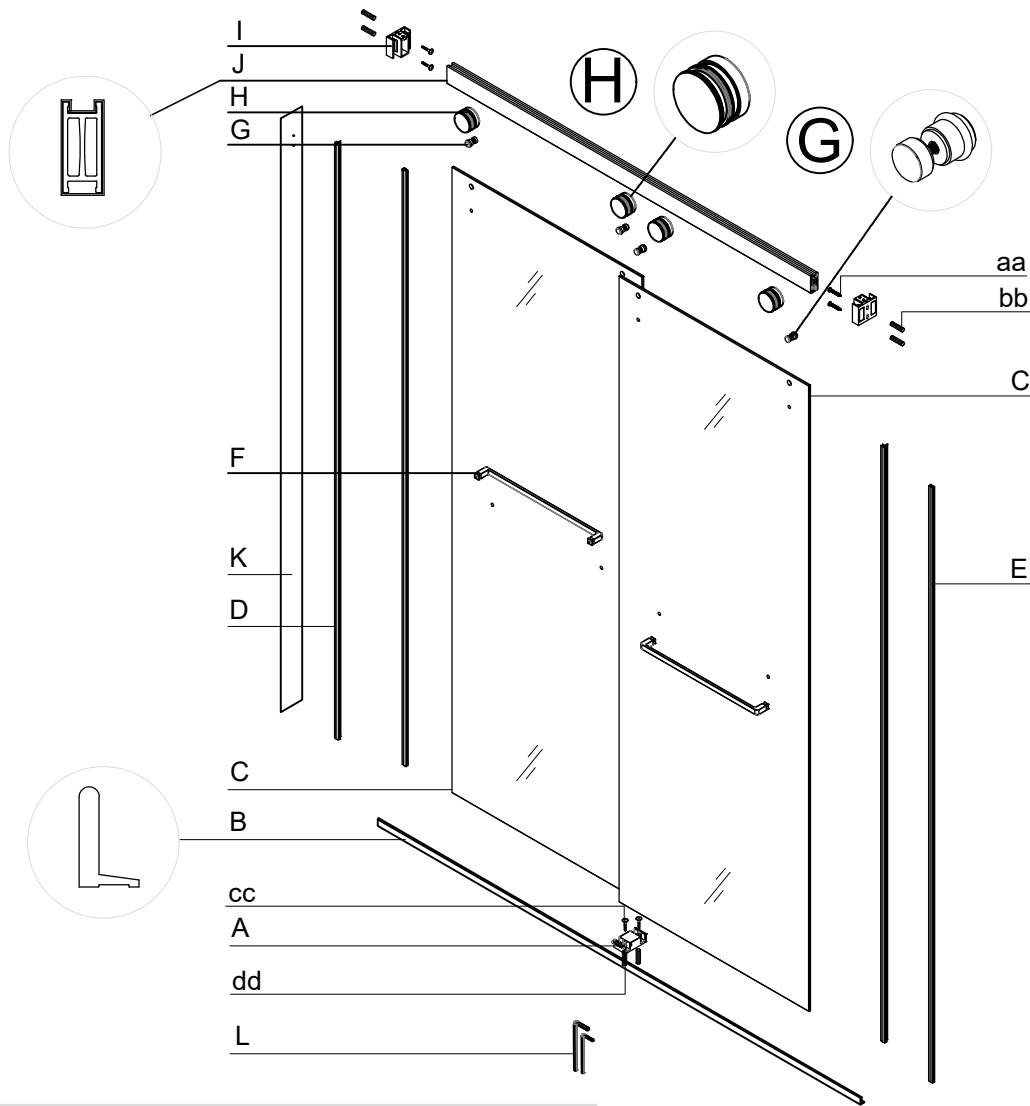
To minimize these risks, please note:

- Always wear safety glasses and gloves while handling.
- Always follow the installation instructions.
- Inspect glass for damage before installation.
- Extreme caution should be taken while handling the glass during installation as the tempered glass may shatter if in contact with a hard surface.
- Do not cut or modify the tempered glass as it will shatter if cut.
- Carefully remove product from packaging and keep packaging until installation is complete.
- Inspect all parts for damage or missing; if there is damage or part missing to the unit prior to installation, please contact customer service at the number provided in this guide.
- Cover the drain with tape to prevent the loss of small parts.
- The shower base and finished walls should be installed before beginning the shower door installation.
- During the installation, protect the shower floor with a drop cloth to avoid damage.
- This product should be installed by two people who are familiar with construction requirements. Professional installation is recommended!
- Keep this installation manual for future reference

NOTE: Two people should perform this installation.



DOOR ASSEMBLY



CARTON PARTS IDENTIFICATION

See following pages for detailed component diagrams

PART#	DESCRIPTION	QTY
A	Slider Block	1
B	Bottom Rail	1
C	Door panel	2
D	Water blocking material-A	2
E	Water blocking material-B	2
F	Handle	2

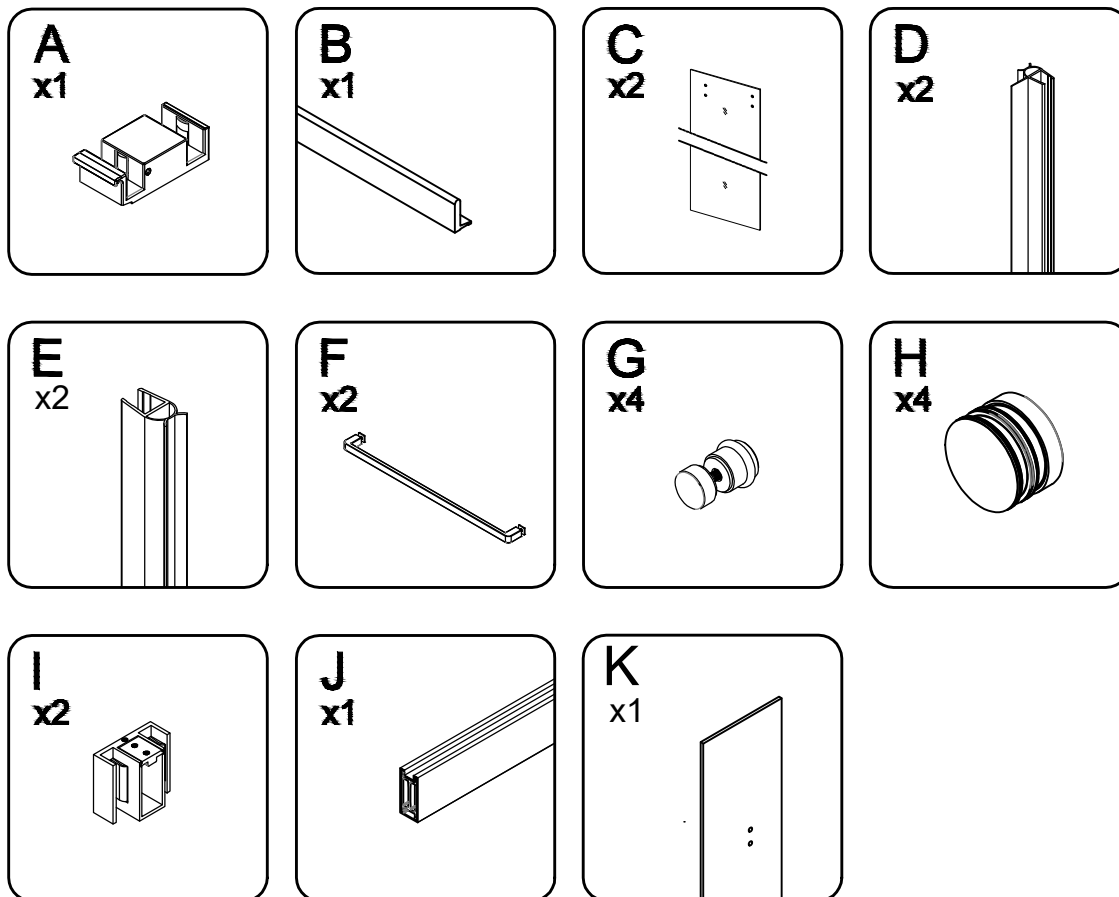
PART#	DESCRIPTION	QTY
G	Anti-Jump Assembly	4
H	Roller	4
I	Wall Bracket Assembly	2
J	Upper Guide Rail	1
K	Auxiliary hole template	1
L	2.5mm & 5mm allen wrench	2



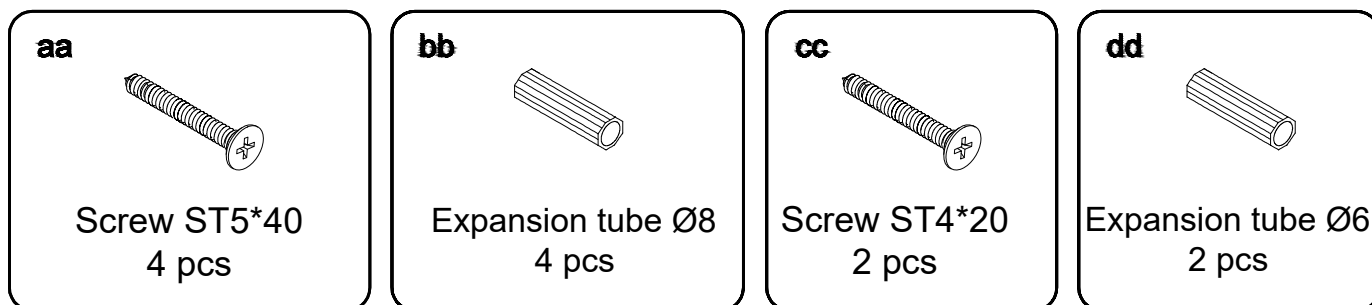
Inspect all parts for missing prior to installation!
Contact us for any part missing

CARTON PARTS IDENTIFICATION

See following pages for detailed component diagrams



HARDWARE CONTENT

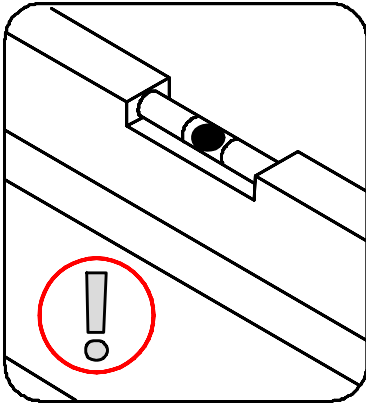
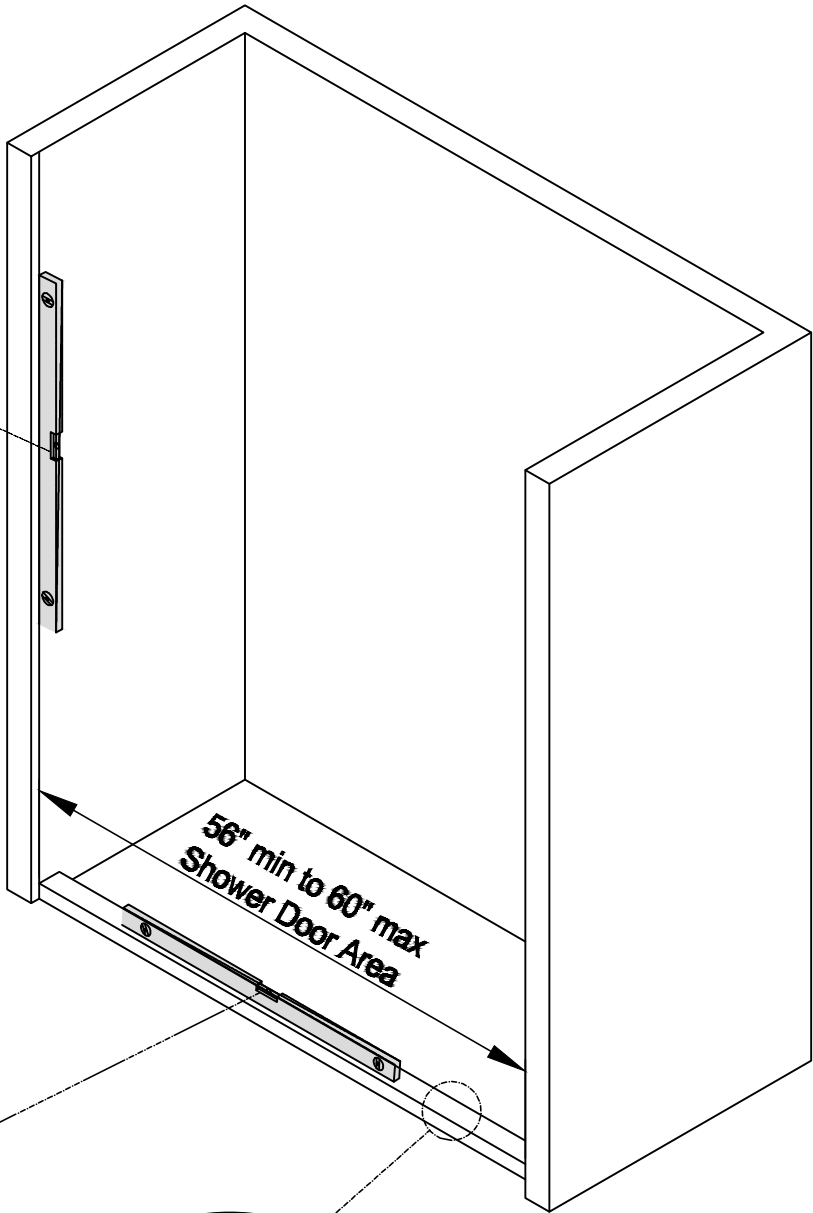
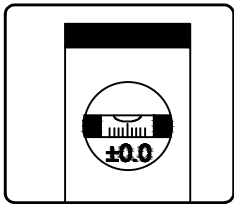


**NOTE: Inspect all parts for missing prior to installation!
Contact us for any part missing.**

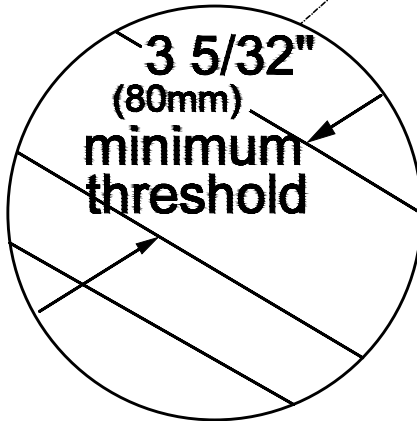
Model Specific Preparation



REQUIRED:



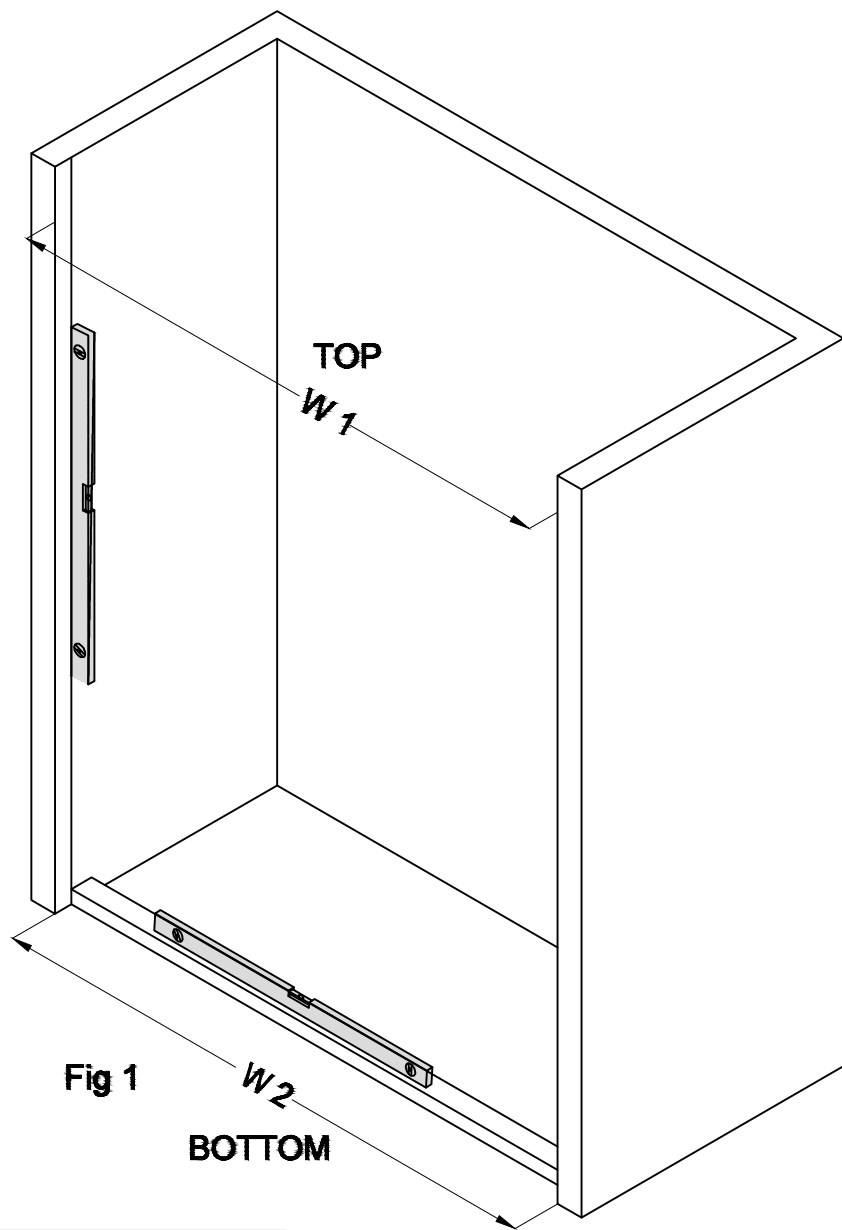
Threshold must be level



1 Measure the finished opening width.

NOTE

- 1. Measure the finished opening width at the bottom and at the model height. Use these dimensions as "W1" (top) and "W2"(bottom) in step #2.
- 2. Also check the threshold for level and the walls for plumb.(Fig 1)



_____ Finished opening top (W1)

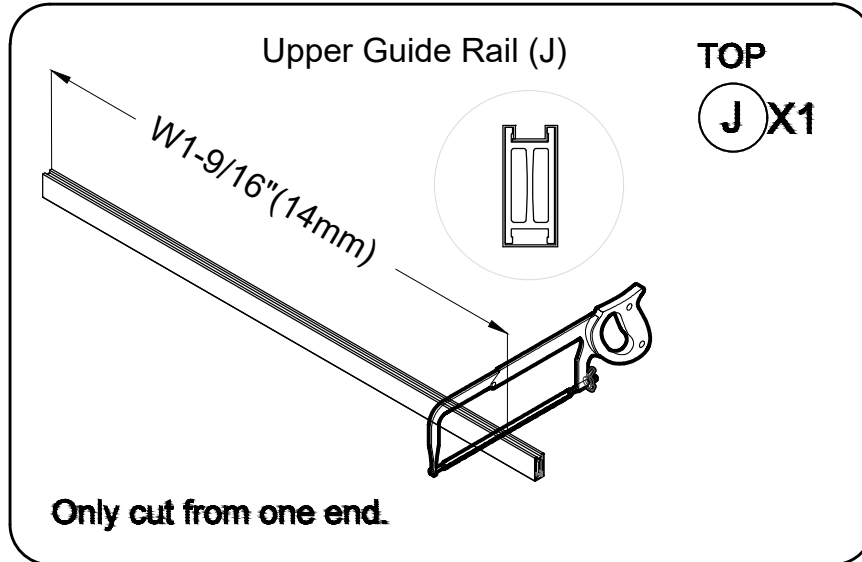
_____ Finished opening bottom (W2)

2

Cut the Upper Guide Rail (J) and the Bottom Rail (B) to fit your finished opening using either a miter saw or a hacksaw



Cut the Upper Guide Rail (J) to: "W1"(top)dimension -9/16"(14mm)



Cut the Bottom Rail (B) to: "W2"(bottom)dimension
Use a metal file to remove any burrs from the cut ends.

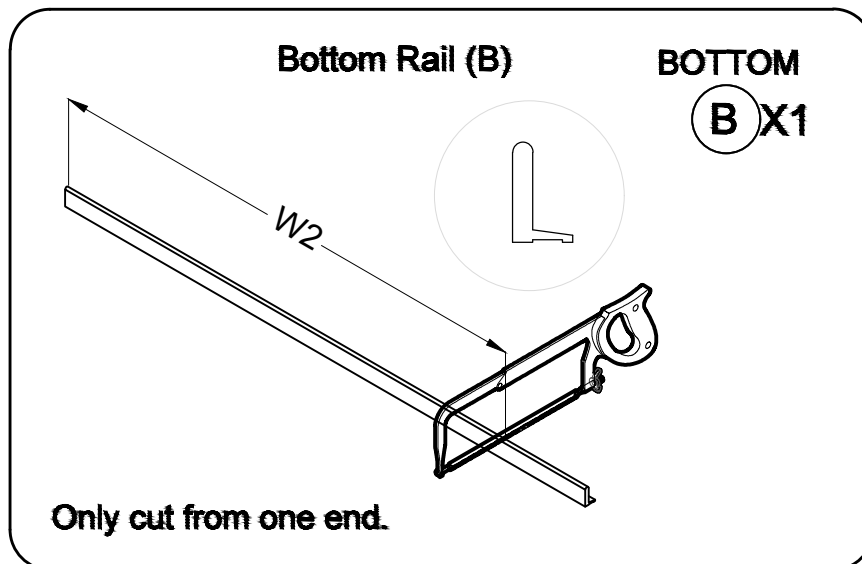


Fig 2

NOTE

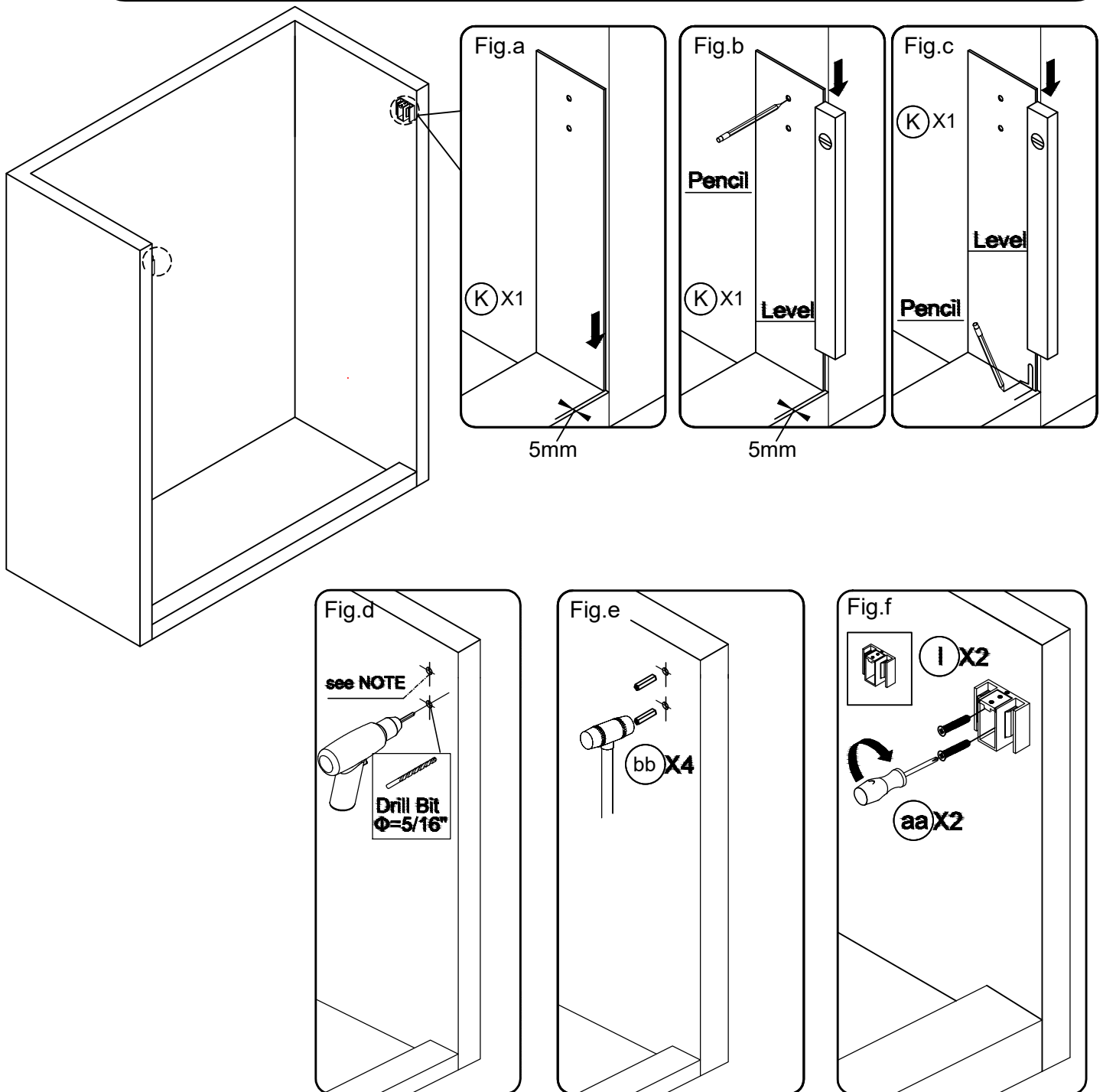
Only the Upper Guide Rail (J) and Bottom Rail (B) need to be cut to fit the finished opening size.

3

Wall Bracket Assembly Installation

NOTE

1. Measure 3/16" (5mm) from the outer edge of the auxiliary hole template (K), as shown in Fig a.
2. Note: The end with two holes faces upward. Mark the hole positions as shown in Fig b.
3. Mark the position of the Bottom Rail as shown in Fig c.
4. Remove the auxiliary hole template (K) and drill holes according to Fig d.
5. Insert the Expansion tube (bb) into the holes, as shown in Fig e.
6. Install the Wall Bracket Assembly (I) onto the wall as shown in Fig f.
(Proceed with the same steps for the other wall.)



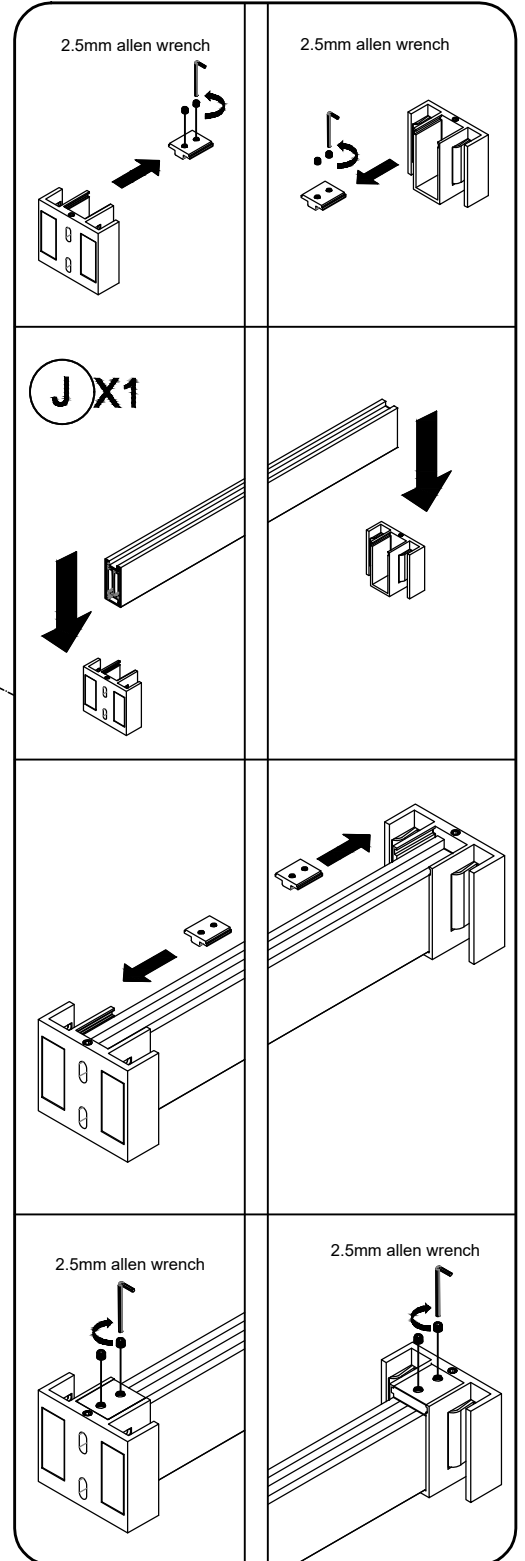
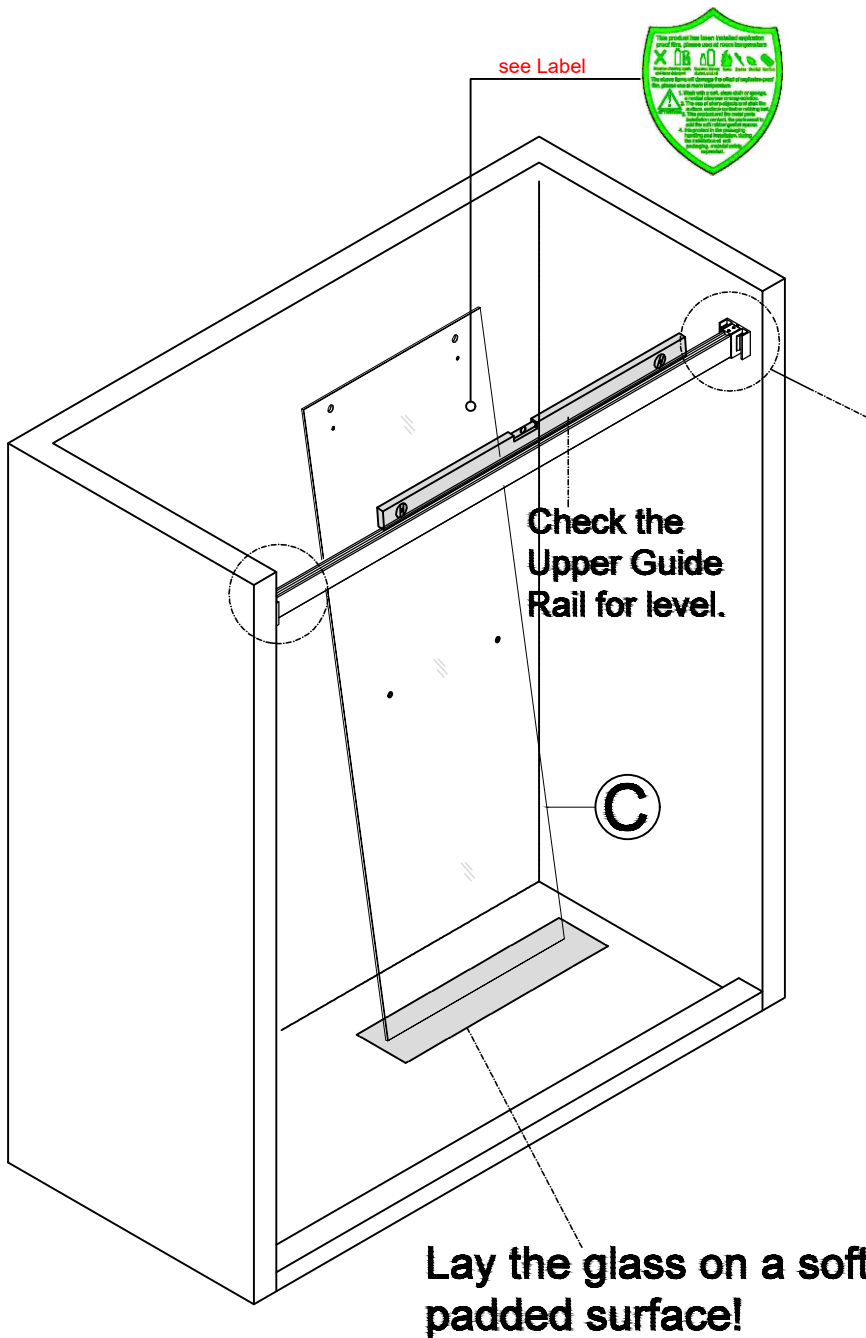
4

Upper Guide Rail Installation

1. Insert the **Upper Guide Rail (J)** into the installed **Wall Bracket Assembly (I)**.

NOTE

Put A Door Paner (C) inside the shower place before Install the Upper Guide Rail (J) and the label faces outside.

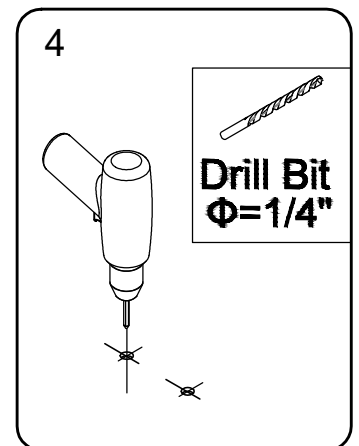
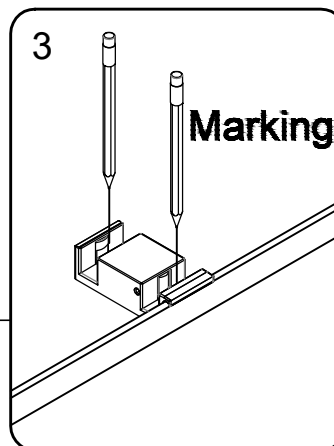
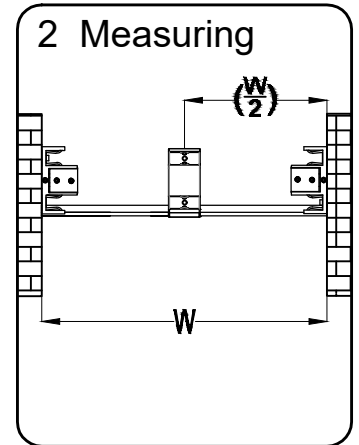
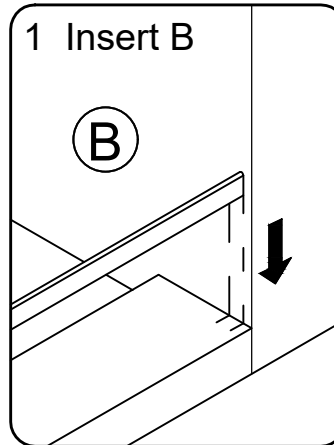
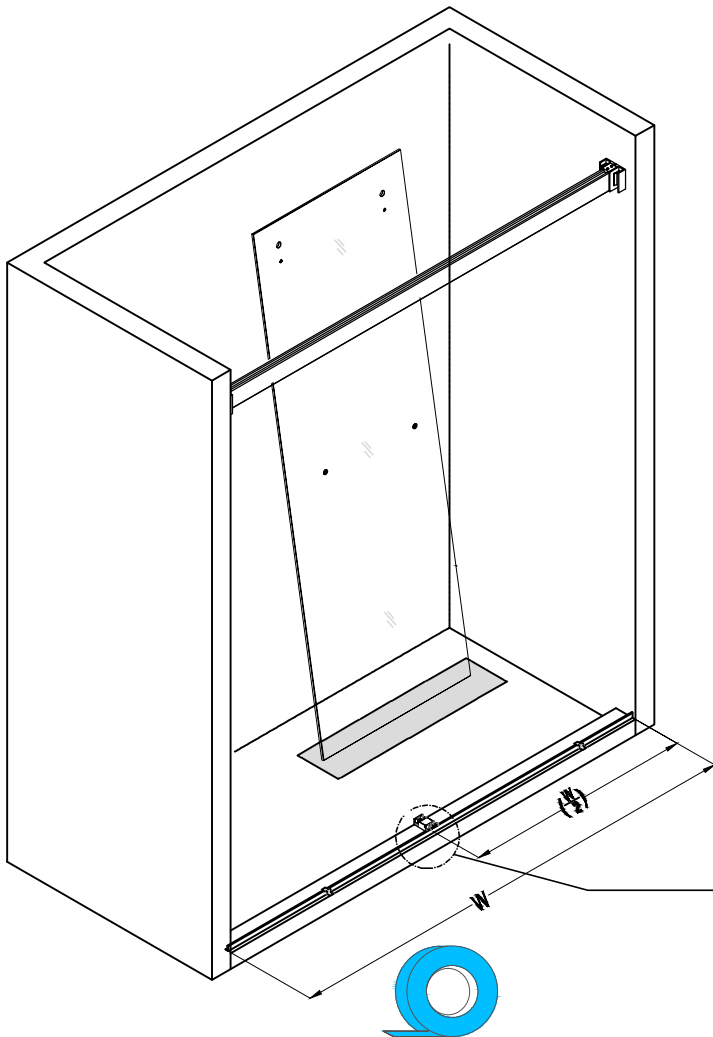


5

Slider Block & Bottom Rail Installation

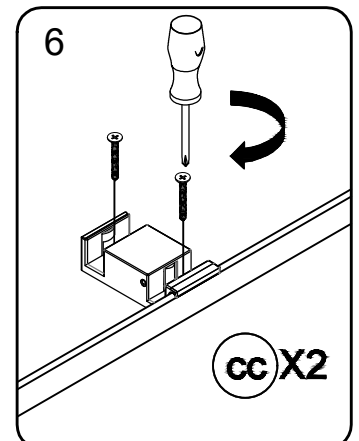
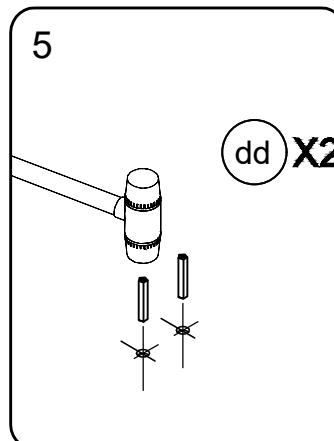
NOTE

Measure across the width of the threshold to locate and mark the center. Drill a $\text{\O}1/4"$ (6mm) hole and insert the Expansion tube $\text{\O}6$ (dd) and use the Screw ST4*20 (cc).



Use Painter's Tape to hold the Water seal

- 1、 Place the Bottom Rail (B) on the marked position.
- 2、 Position the Slider Block(A) to the middle of shower door.
- 3、 Mark the holes.
- 4、 Drill holes.
- 5、 Insert the Wall Anchors(dd).
- 6、 Install the Screws(cc).

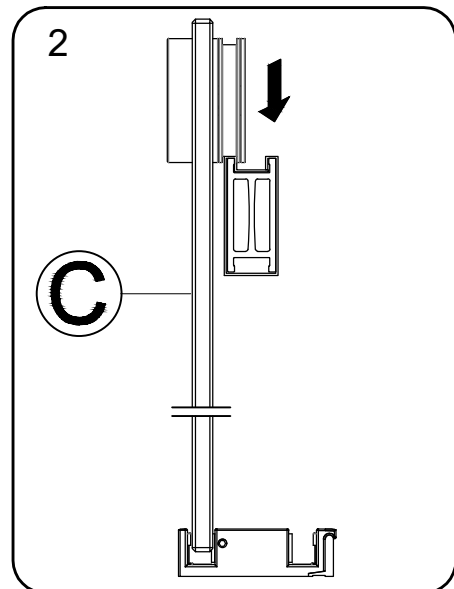
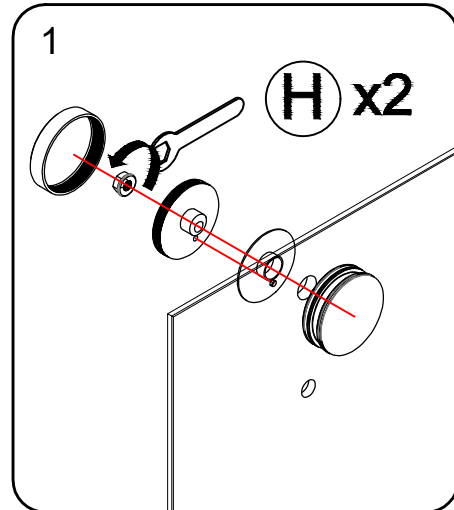
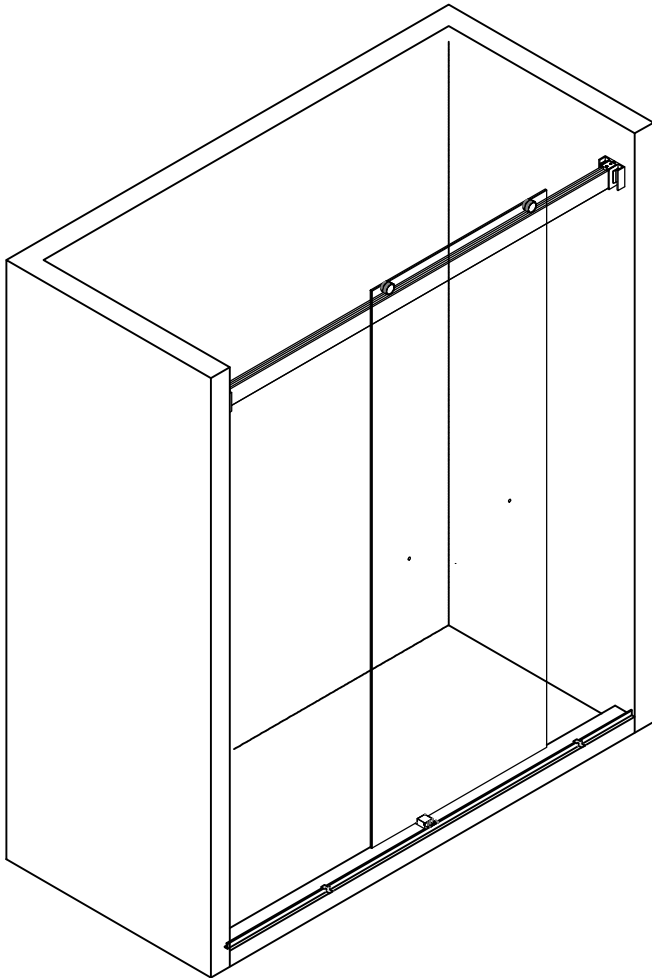


6

Inside Door panel Installation

NOTE

DO NOT install the towel bars on the glass until instructed.
DO NOT lift the glass using the towel bars.
This could result in damage to the glass and/or serious personal injury.
Always use an assistant or a professional grade glass suction cup when handling heavy glass.



NOTE

1. Remove the cap and screw from the Rollers(H) and attach the Roller(H) to the Inside Door Panel(C).
2. Insert the Inside Door Panel(C) into the Slider Block(A).

6-1

Outside Door panel & Outside Roller Installation

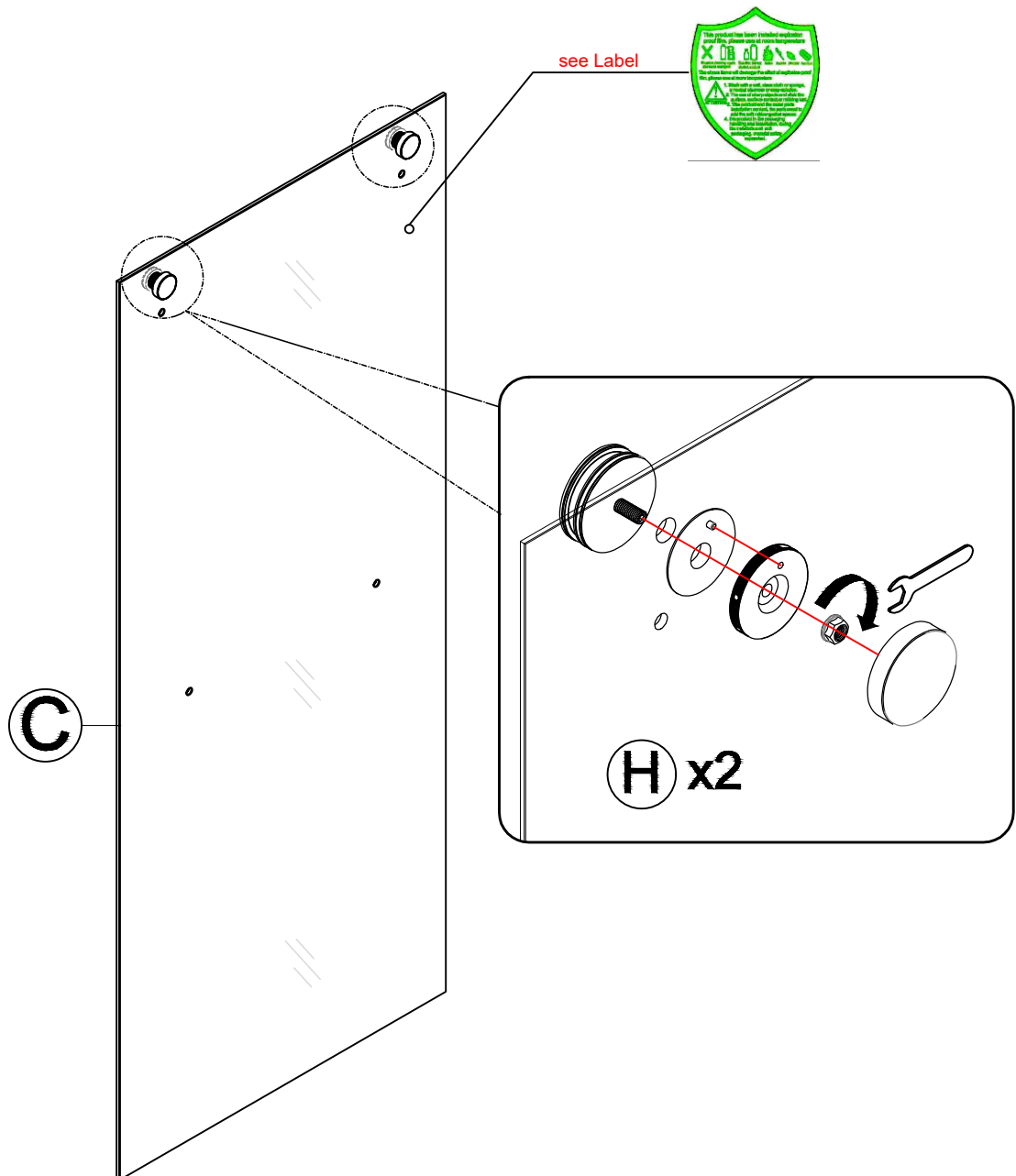
NOTE

DO NOT install the towel bars on the glass until instructed.
DO NOT lift the glass using the towel bars.

This could result in damage to the glass and/or serious personal injury.

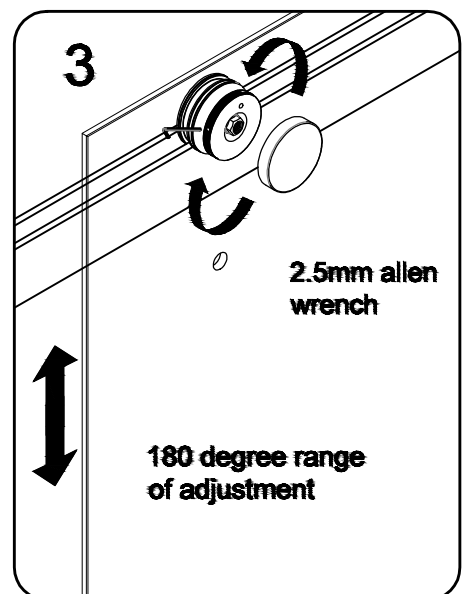
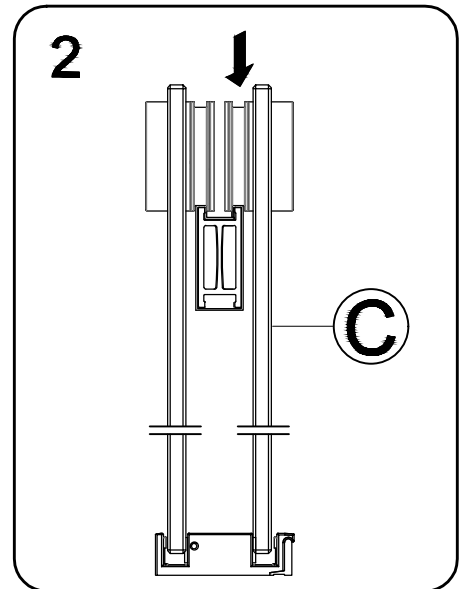
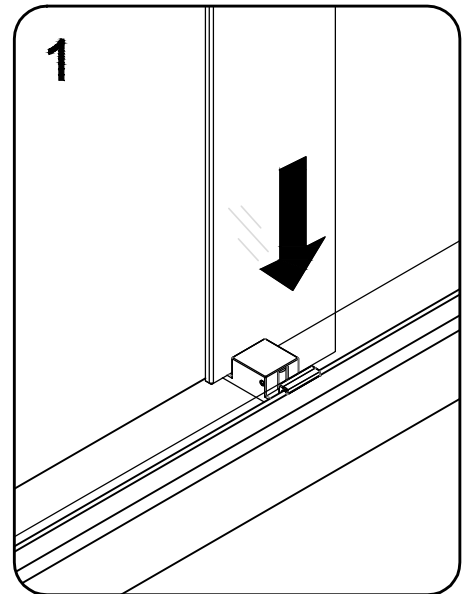
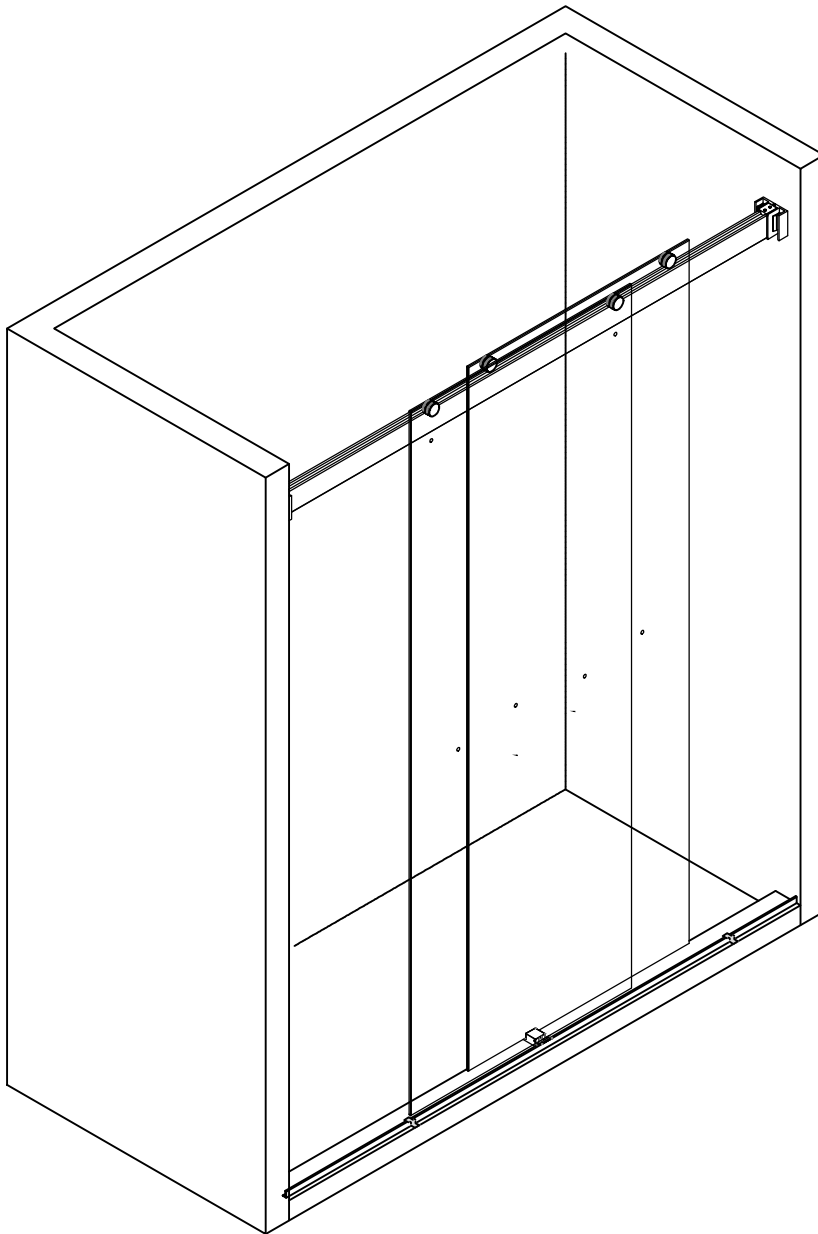
Always use an assistant or a professional grade glass suction cup when handling heavy glass.

Remove the cap and screw from the Rollers (H) and attach the Rollers (H) to the Door Panel (C). And the Label faces outside.



6-2

Door panel(outside) & Roller(outside) Installation

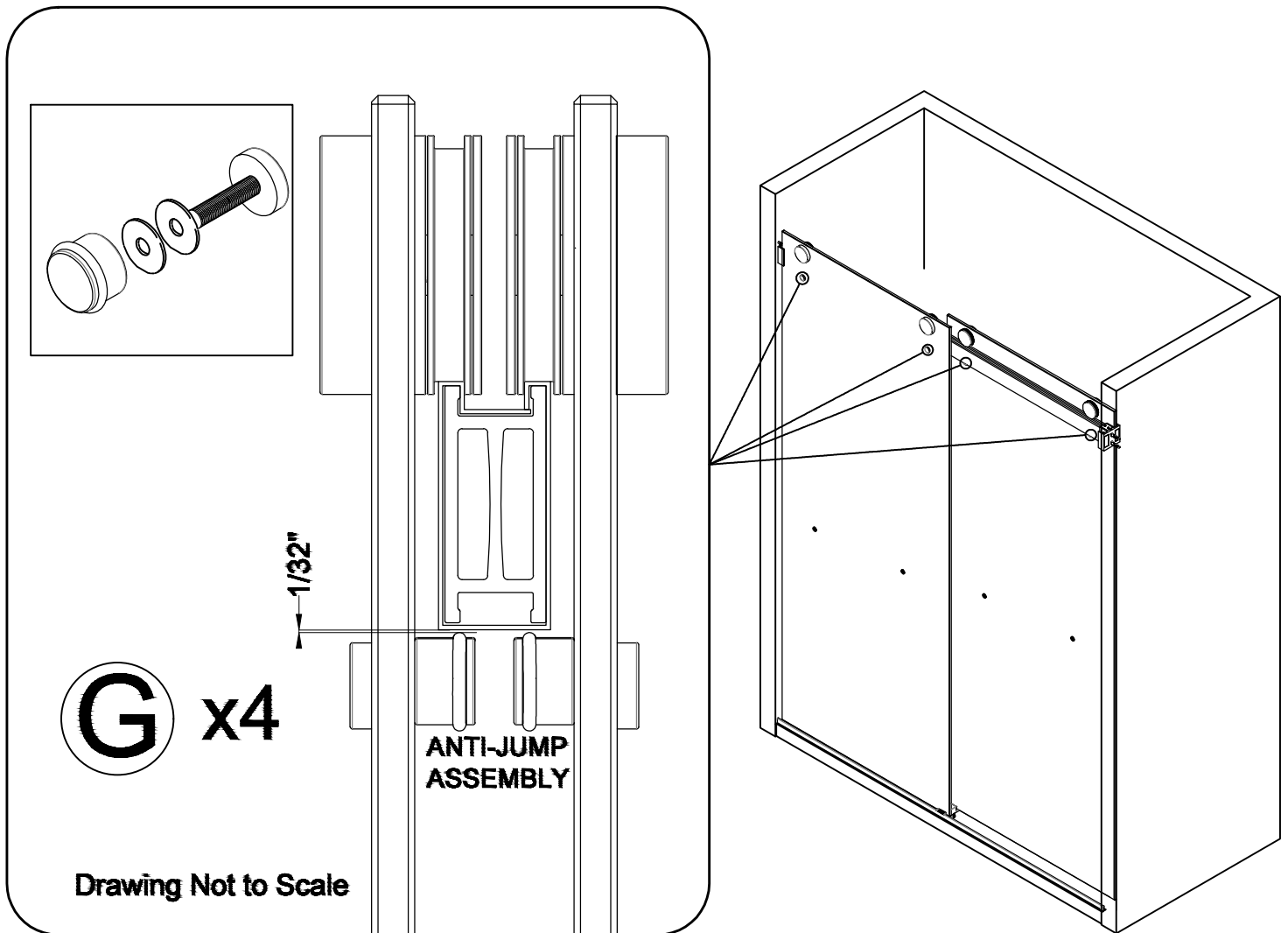


NOTE Adjust inside and outside rollers up or down so door aligns with wall.

7 Anti-jump assembly Installation

NOTE

Attach the Anti-jump Assembly (G) to the Door Glass (C) and to prevent the door glass from being lifted off of the Upper Guide Rail (J). Adjust the Anti-jump Assembly (G) to within 1/32" beneath the Upper Guide Rail (J).

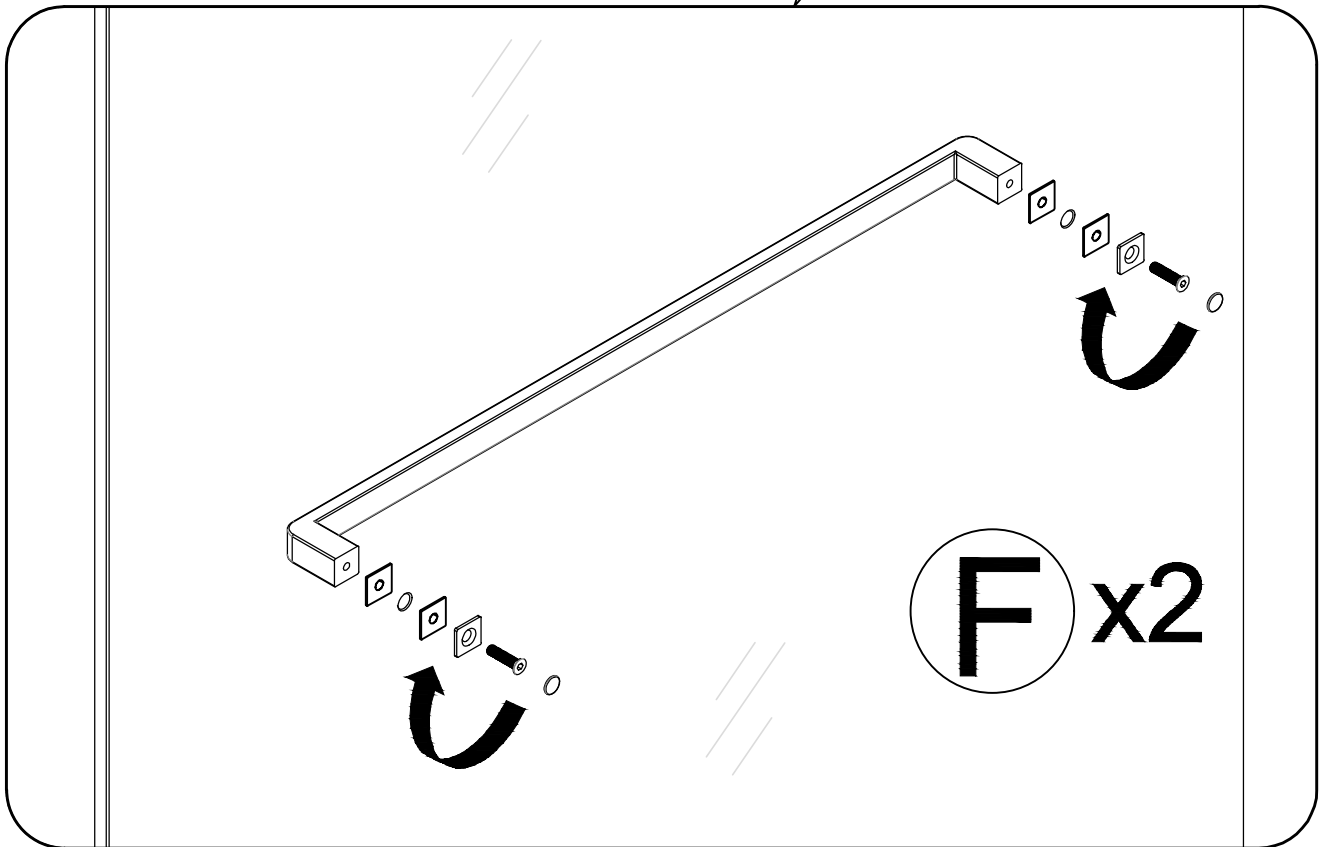
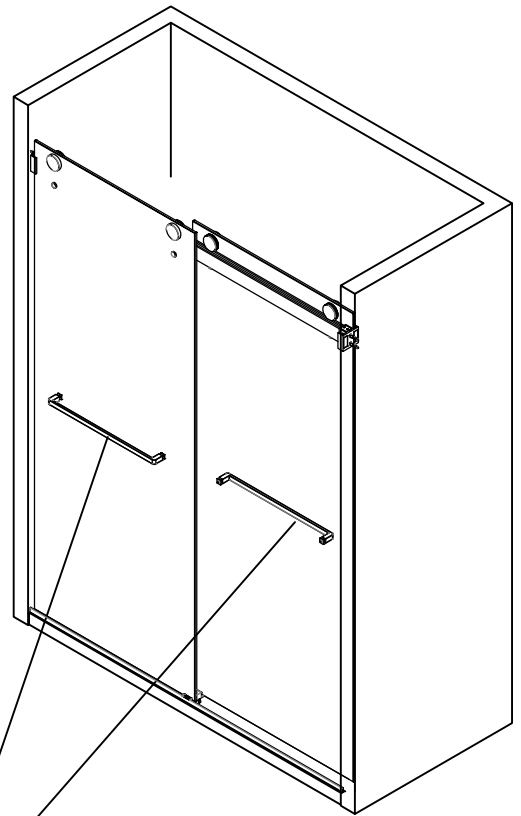


8

Handle Installation

NOTE

Attach the **Handle (F)** to the **Inside Door Panel (C)** and to the **Outside Door Panel (C)**. Be sure to use all of the supplied rubber gaskets to protect the glass.

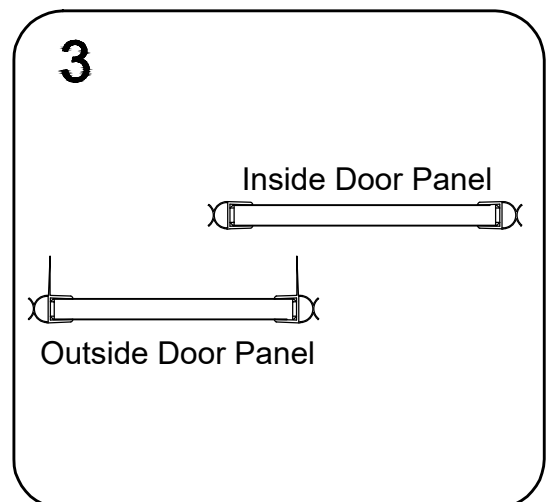
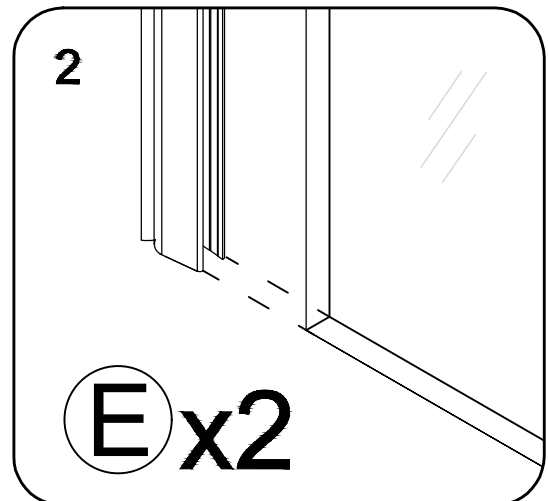
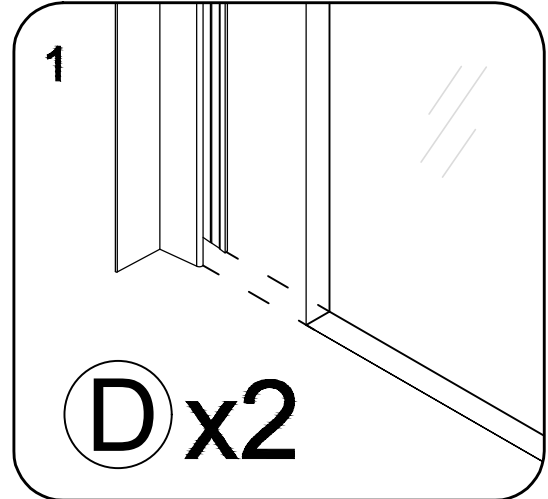
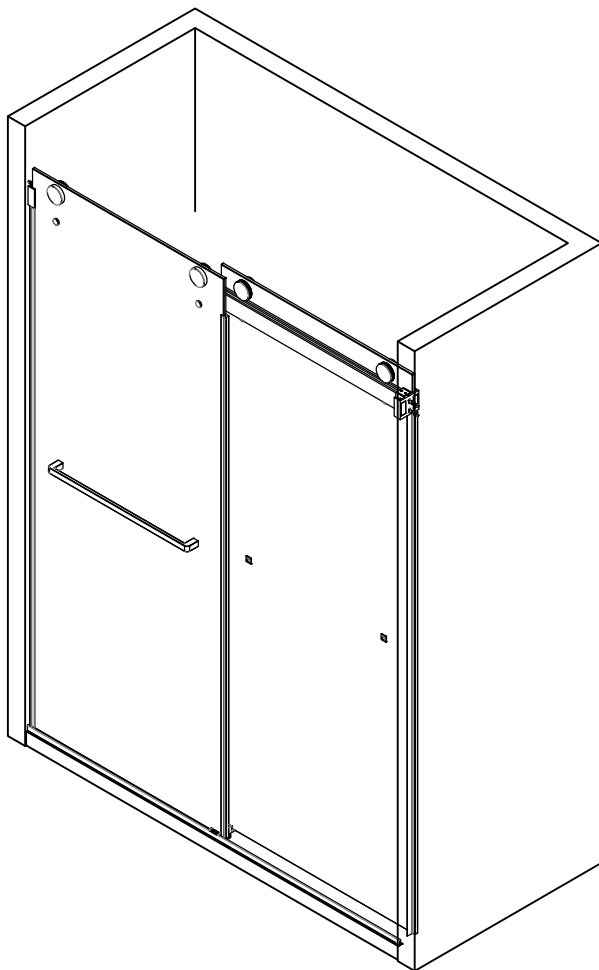


9

Water blocking material Installation

NOTE

1. The lower end of the waterproof seal strip should be flush with the bottom of the door panel (C), and the upper end should be flush with the bottom edge of the upper guide rail, as shown in Figs 1 and 2.
2. Install Water blocking material-B (E) on the inner door panel, and Water blocking material-A(D) on the outer door panel, as shown in Fig 3.
3. Ensure the door panel (C) is fully seated in the seal groove at the bottom.



10

SEALING

NOTE

The surfaces need to be clean and free of debris before applying silicone.

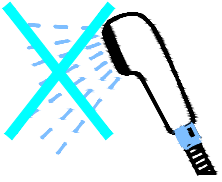
NOTE

Ensure that the Shower door closes tightly and opens smoothly. Apply a good quality silicone sealant along the Slider Block(A) and Bottom Rail(B).

!

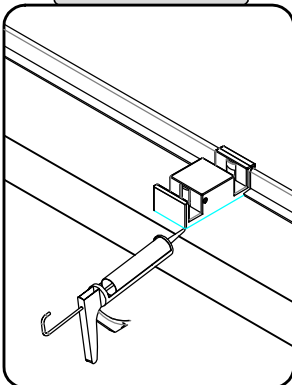
Allow 24 hours for the silicone to cure before using the shower.

24 hour

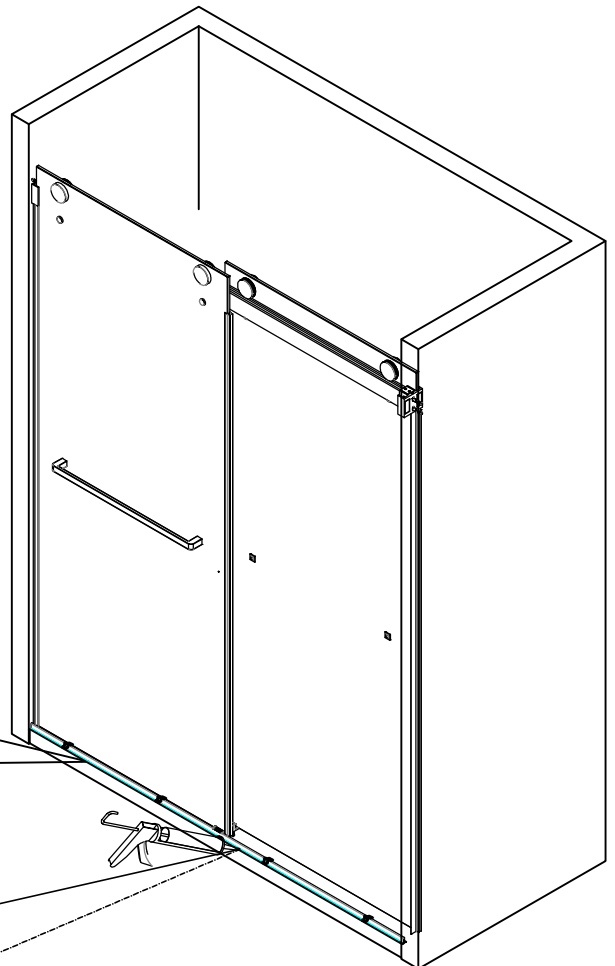
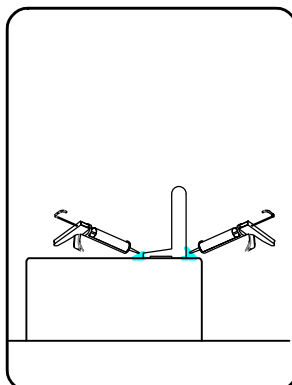


! Apply Silicone Sealant, (not supplied).

Inside View



Apply silicone around the bottom rail.



Use Painter's Tape to hold the Water seal tight in position while the silicone cures.