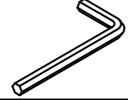



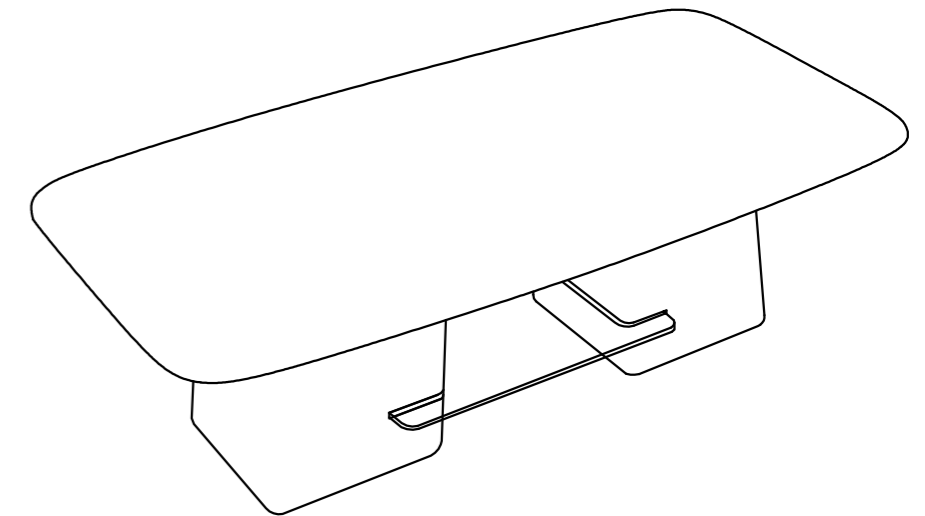
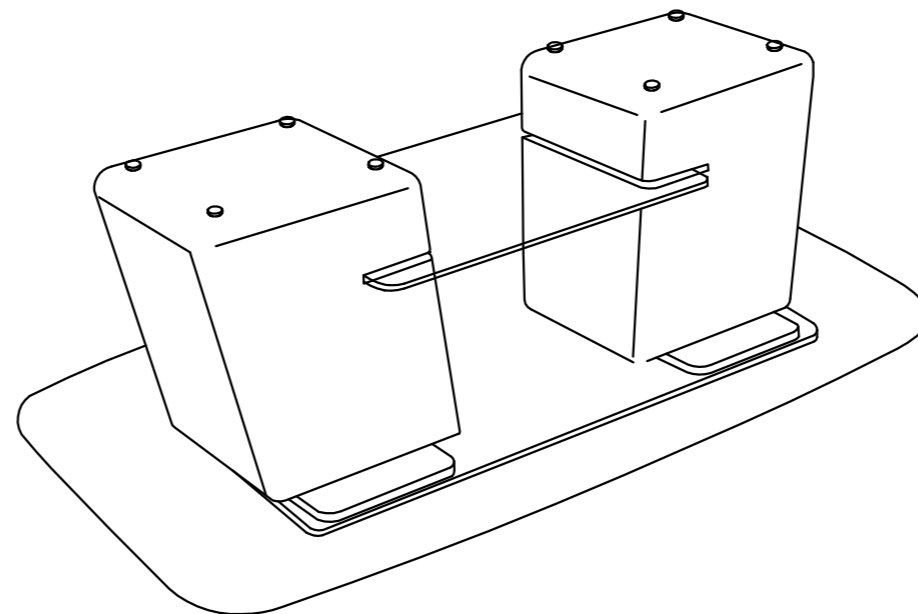
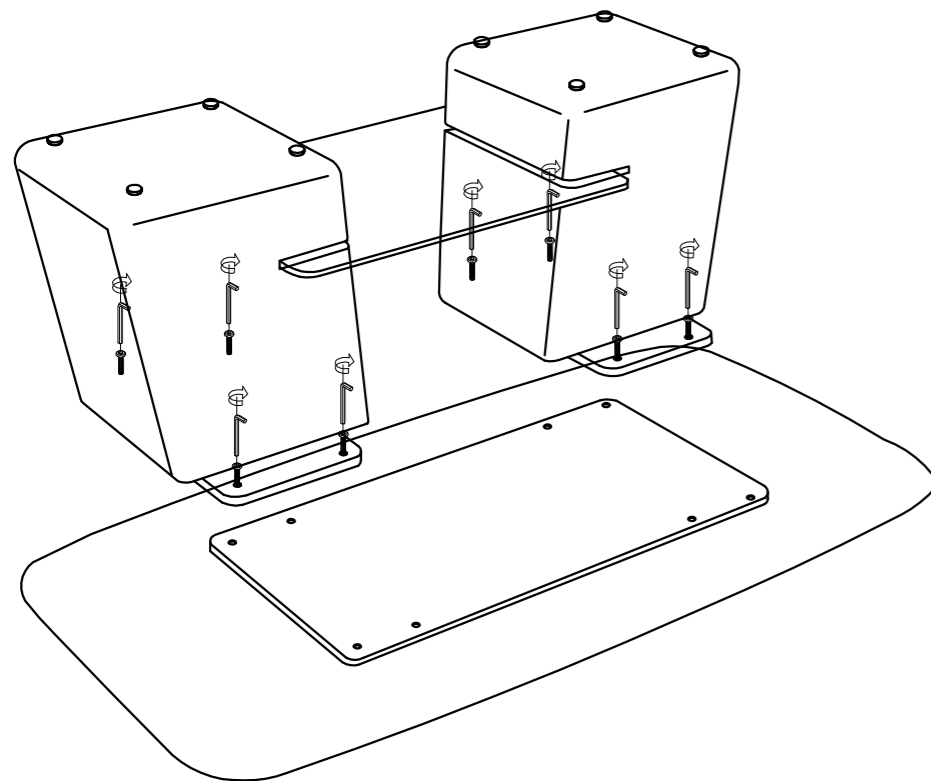
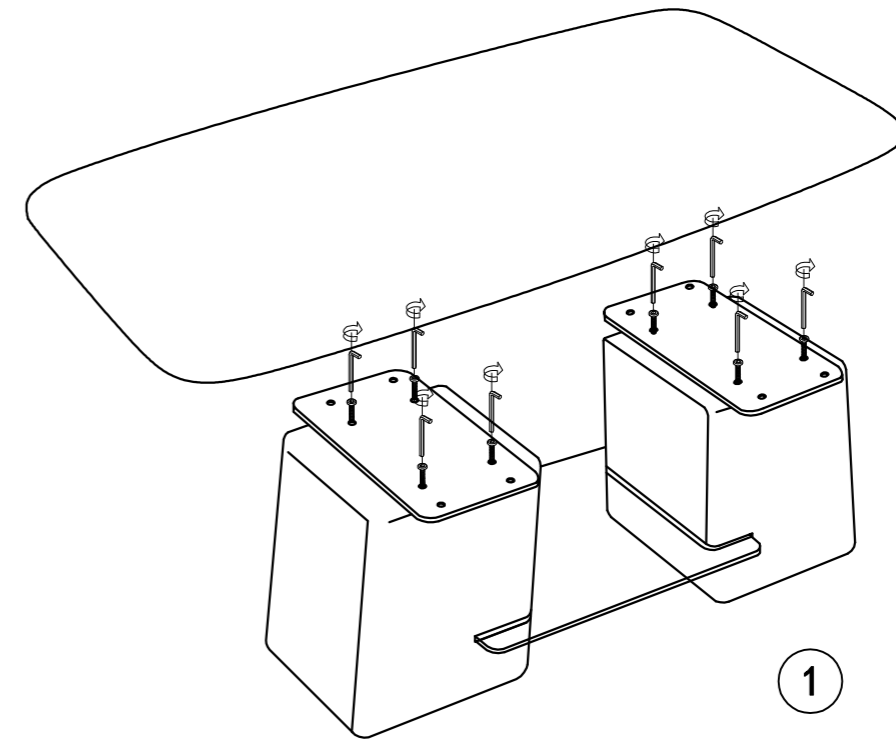
Installation & assembly

Product Name

table

Hardware Pack

Name	Shape	QTY	Name	Shape	QTY
4MM Hexagon wrench		1	M6*360 Guide screw		16



① Glass countertopx1 ,table legx2
Glassx1 ,align the gasket with the
hole position and tighten the screws.

③ Tighten the screws

② Turn the table top over and screw into the
holes in the bottom of the table top and
then into the holes in the base.

④ Set the table upright,completing the installation