

# SWING CHAIR

# ASSEMBLY MANUAL



## ASSEMBLY INSTRUCTION

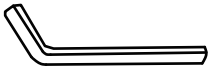
BEFORE ASSEMBLING, MAKE SURE THAT YOU LAY OUT AND IDENTIFY ALL PARTS LISTED BELOW IN THE PARTS LIST. INSTALL ON LEVEL GROUND.

INSTALL NOT LESS THAN 6 FEET FROM ANY OBSTRUCTION SUCH AS FENCE, GARAGE, HOUSE, OVERHANGING BRANCHES, LAUNDRY LINES, OR ELECTRICAL WIRES.

TIGHTEN ALL NUTS AND BOLTS SECURELY. ALL BOLTS SHOULD BE HAND TIGHTENED BEFORE USE. NEVER USE POWER TOOLS OR EXCESSIVE FORCE DURING ASSEMBLY AND TIGHTENING OF BOLTS.

IT IS RECOMMENDED TO BE AT LEAST 2 PEOPLE FOR A SAFE ASSEMBLY OF THE PRODUCT.

### TOOL REQUIRED:



ALLEN WRENCH



SMALL WRENCH

(PROVIDED)



2 PERSON  
ASSEMBLY

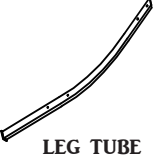


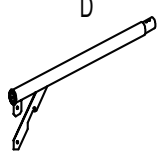
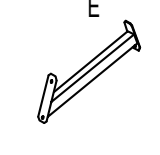
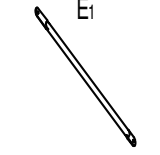
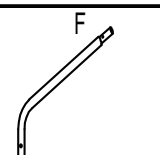
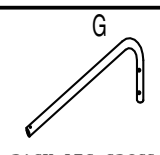
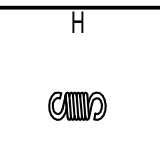
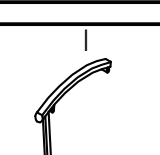
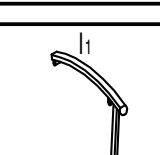
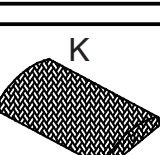
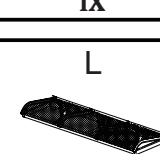
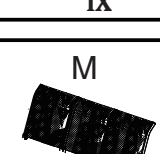
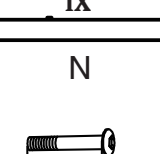
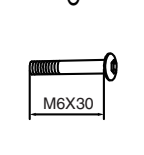

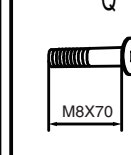
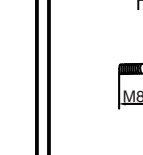
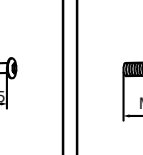
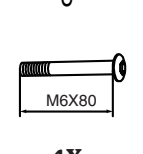
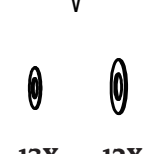

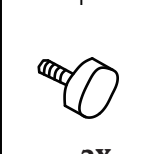
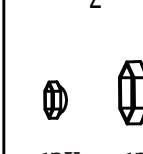

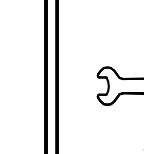
### Warning:

1. Do not kneel or stand on swing chair.
2. Do not exceed 700lbs weight limit.
3. Make sure swing is located on a solid level surface.



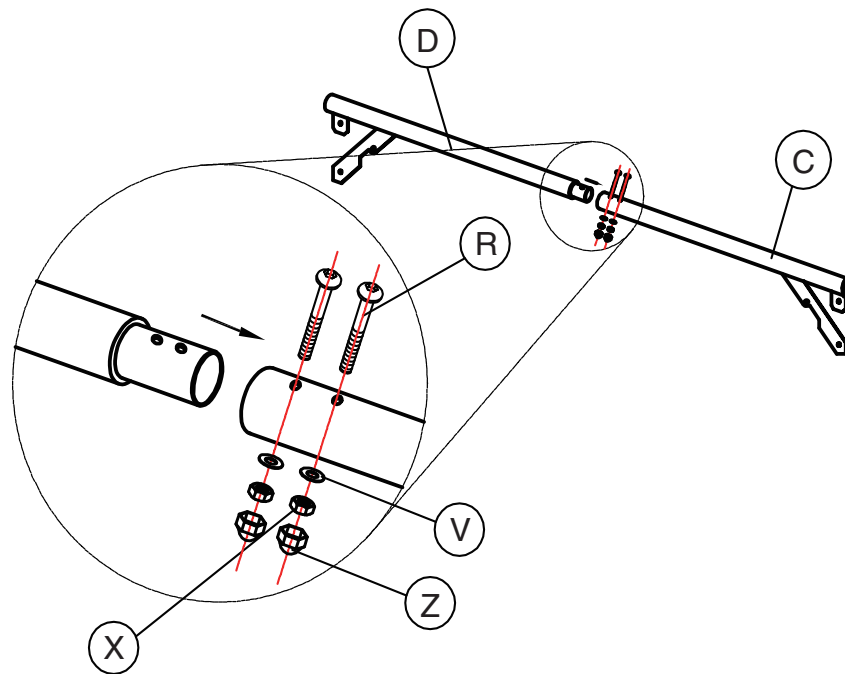
# PARTS LIST



<p>A</p>  <p>LEG TUBE 2X</p>	<p>B</p>  <p>LEG TUBE 2X</p>	<p>C</p>  <p>TOP CROSS BAR 1X</p>				
<p>D</p>  <p>TOP CROSS BAR 1X</p>	<p>E</p>  <p>LEG CROSS BAR 2X</p>	<p>E1</p>  <p>HANGING PIPE 4X</p>				
<p>F</p>  <p>BACK LEG CROSS BAR 1X</p>	<p>G</p>  <p>BACK LEG CROSS BAR 1X</p>	<p>H</p>  <p>BAR SPRING HOOK 2X</p>				
<p>I</p>  <p>ARMREST 1X</p>	<p>I1</p>  <p>ARMREST 1X</p>	<p>K</p>  <p>CANOPY 1X</p>				
<p>L</p>  <p>SEAT FRAME 1X</p>	<p>M</p>  <p>BACK FRAME 1X</p>	<p>N</p>  <p>M8X32 2X</p>				
<p>O</p>  <p>M6X30 1X</p>	<p>P</p>  <p>M6X40 8X</p>	<p>Q</p>  <p>M8X70 2X</p>	<p>R</p>  <p>M8X55 2X</p>	<p>S</p>  <p>M8X75 6X</p>		
<p>U</p>  <p>M6X80 4X</p>	<p>V</p>  <p>13X 12X</p>	<p>X</p>  <p>13X 12X</p>	<p>Y</p>  <p>2X</p>	<p>Z</p>  <p>13X 12X</p>	<p>AA</p>  <p>2X</p>	<p>BB</p>  <p>1X</p>

## Step-1

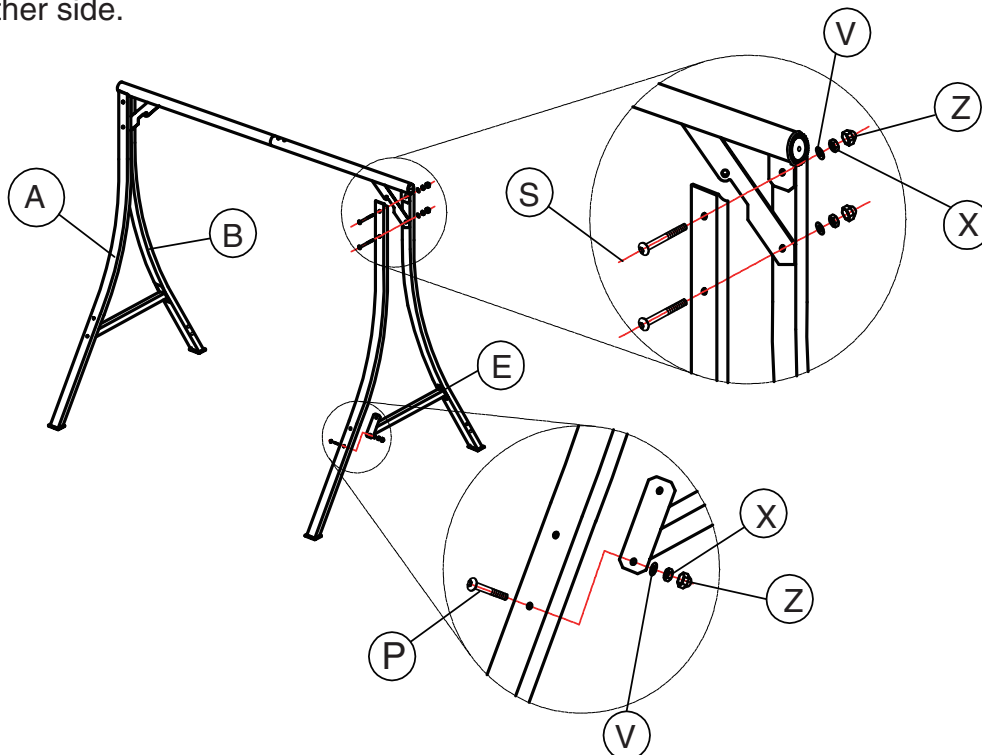
Connect part D and part C to build the beam using bolt R washer V, nut X and plastic end-cap Z as shown in diagram.



## Step-2

Connect part A and part B using bolt S washer V, nut X and plastic end-cap Z as shown in diagram.

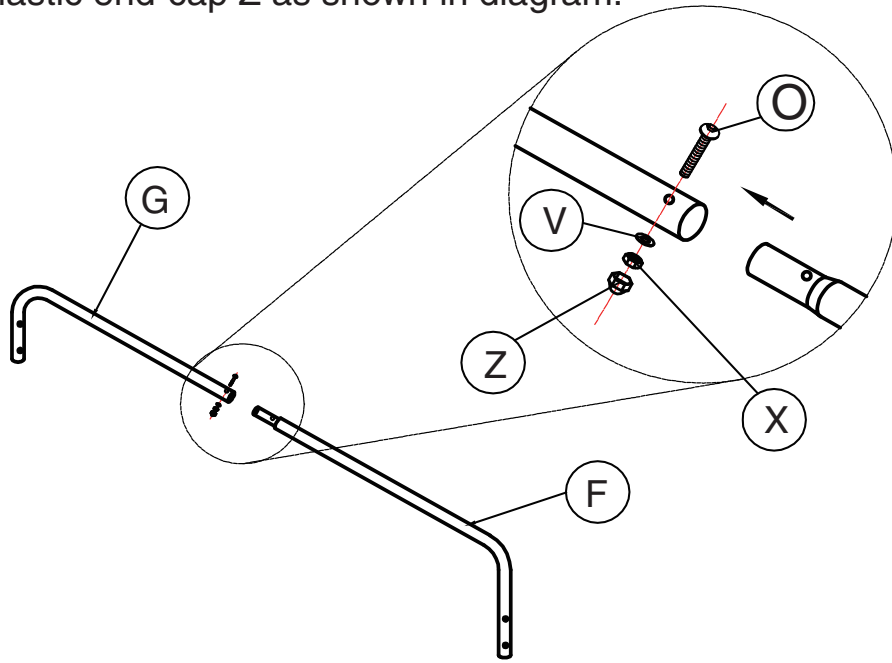
Attention: Both part A should be the same side, and both Part B should be in the other side.



Connect part E and part (A&B) using bolt P washer V, nut X and plastic end-cap Z as shown in diagram.

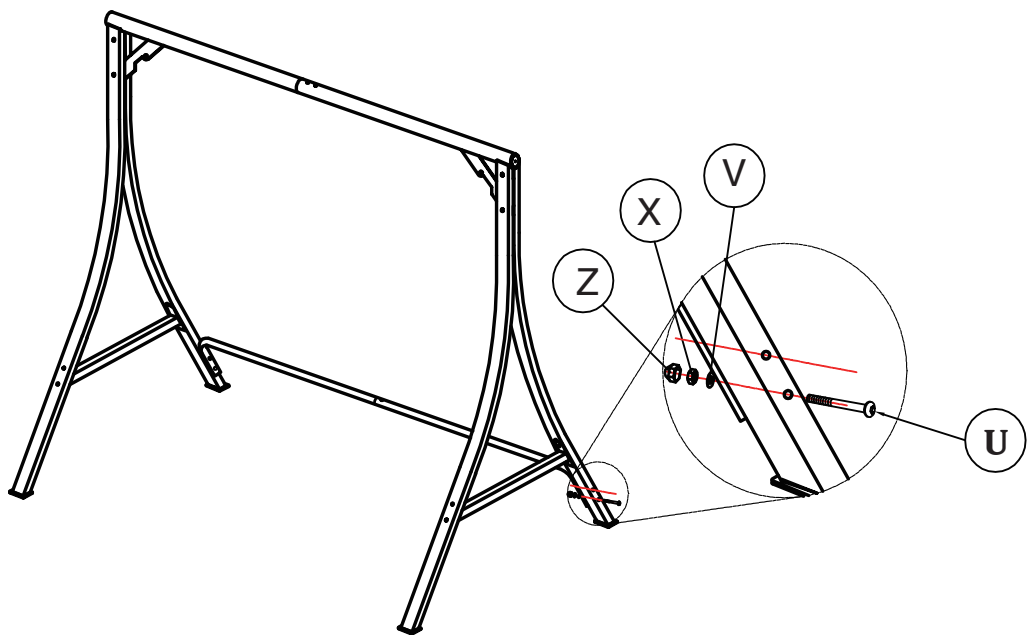
### Step-3

Connect part G and part F using bolt O washer V, nut X and plastic end-cap Z as shown in diagram.



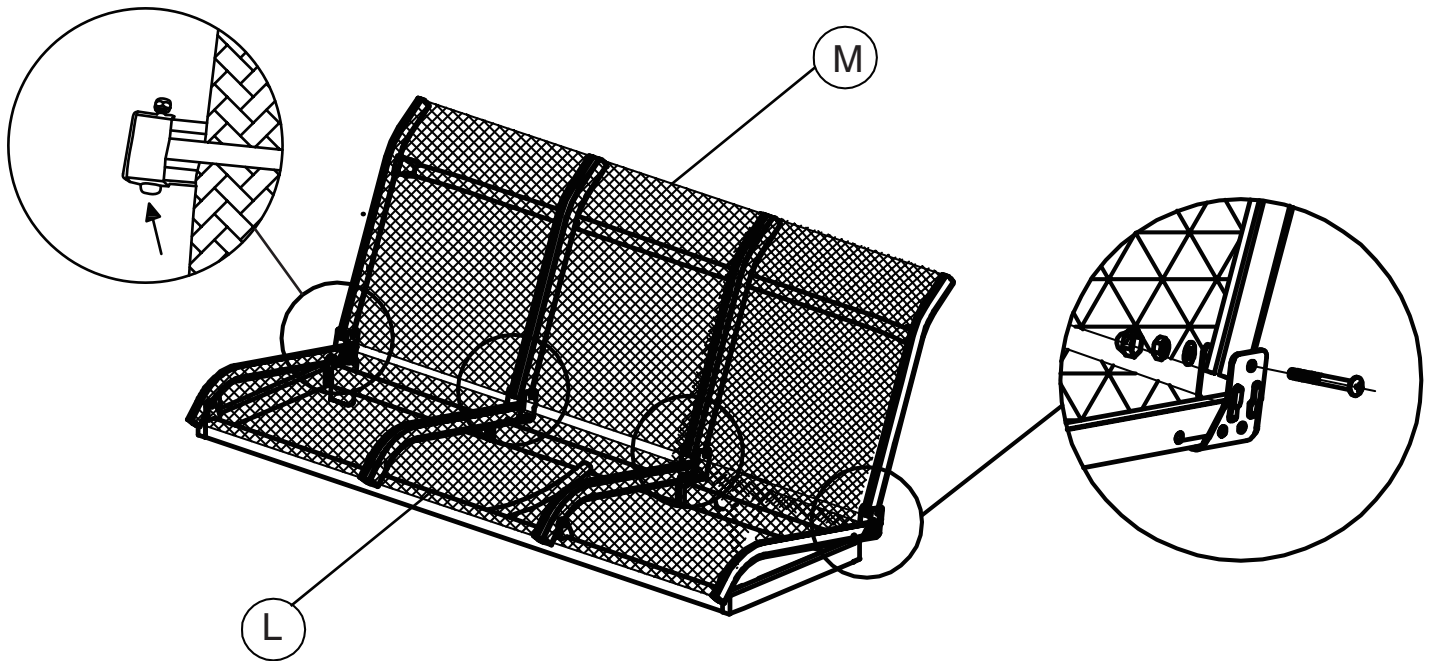
### Step-4

Connect rear foot tube with part B using bolt U washer V, nut X and plastic end-cap Z as shown in diagram.

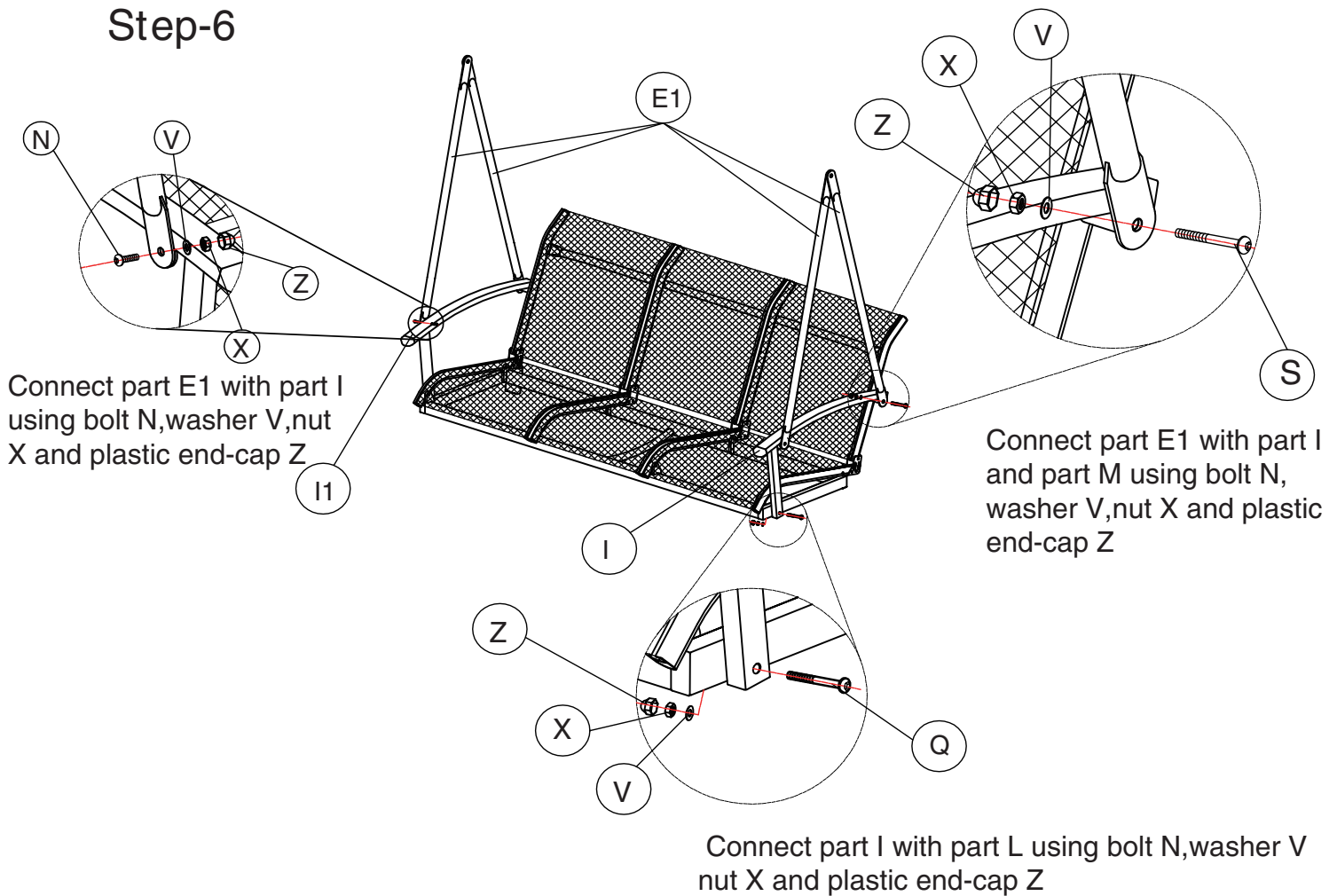


## Step-5 Set up seat & back together

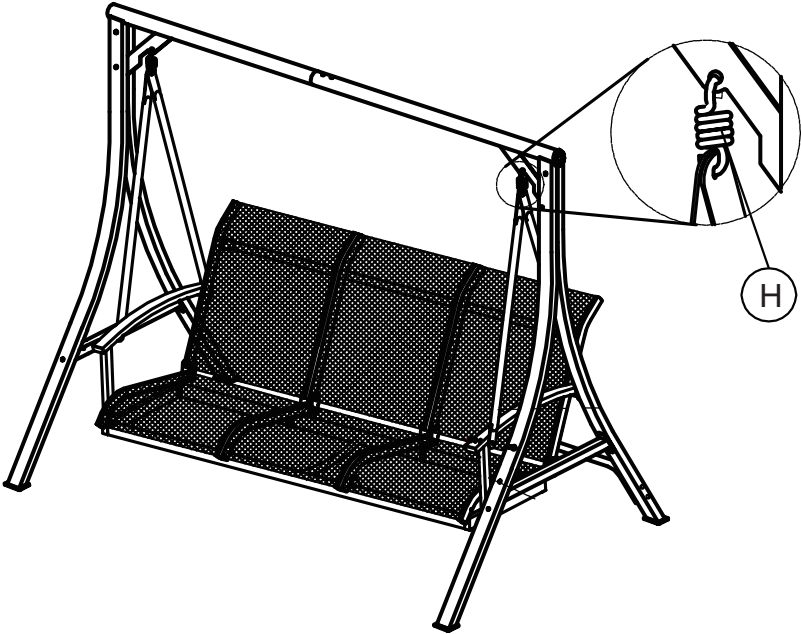
Loose the part M(back) screws first, then connect part L(seat) together by the screws.



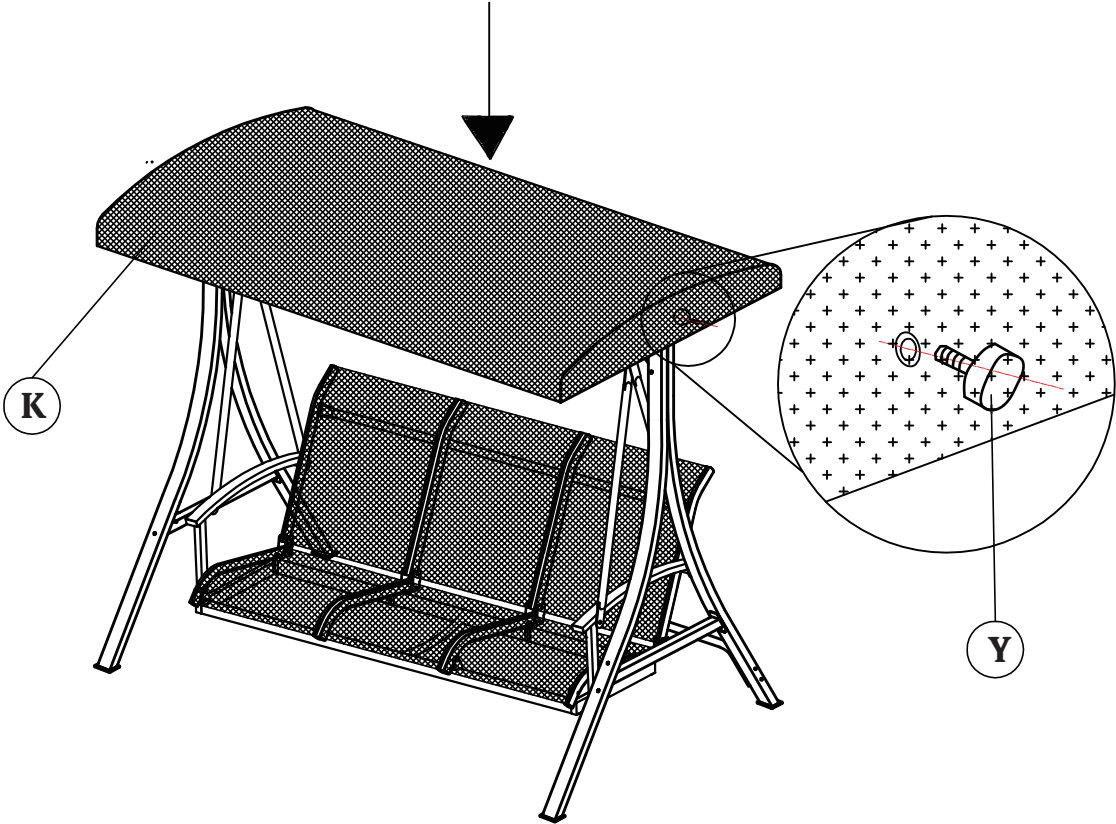
## Step-6



**Step-7** Use part H to hook the seat to the frame



**Step-8** Use Part Y to fix the canopy to the ends of the beam



**Step-9** Tight all of the screws.

