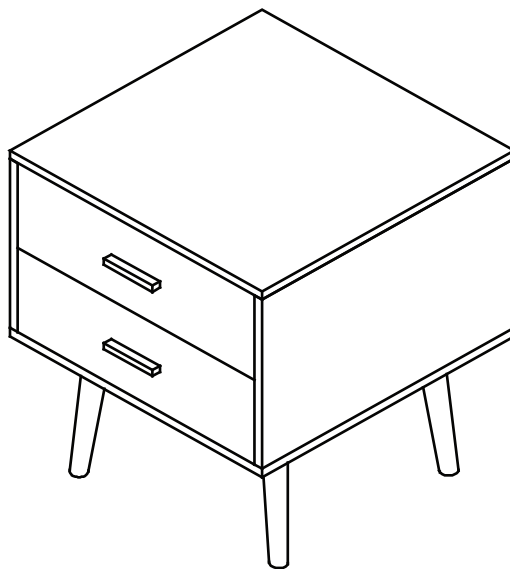


2 Drawer Side table



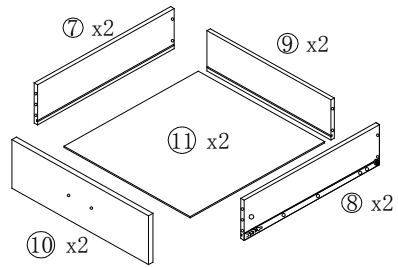
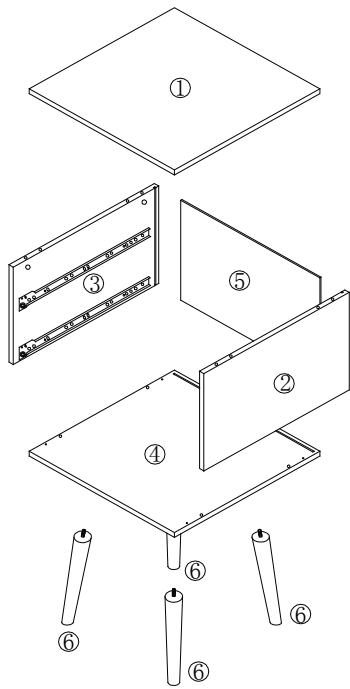
Assembly Instructions

We have designed our furniture with you, the customer in mind. Our clear, easy to follow step by step instructions will guide you through the project from start to finish.

Feel confident that this will be a fun and rewarding project. The final product will be a quality piece of furniture that will go together smoothly and give years of enjoyment.

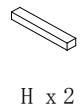
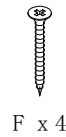


Please do not return to the store
. Broken or missing Hardware?
. Need help with Assembly?

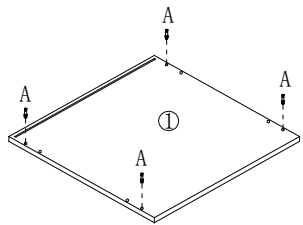


Assembling the unit with cams and wood dowels.

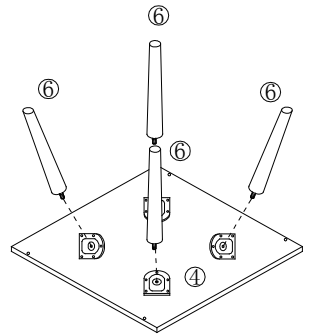
<p>Gently screw cam dowel into the threaded anchor.</p>	<p>Lightly glue one end of the wood dowel and tap halfway into hole.</p>	<p>Lightly glue wood dowel and connect to second panel by inserting dowels into holes.</p>	<p>Screw the cam gently into locked position.</p>



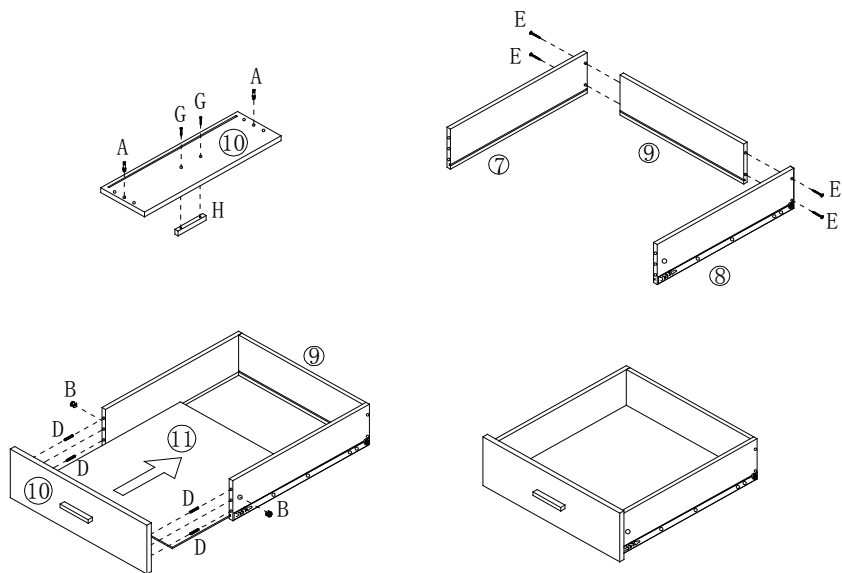
1



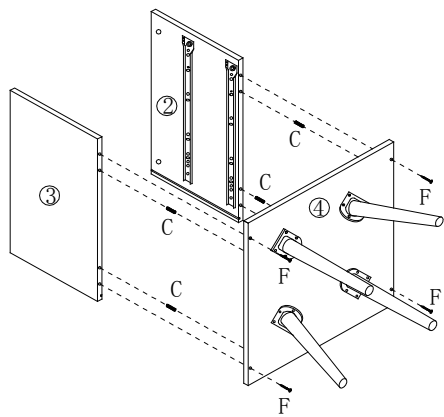
3



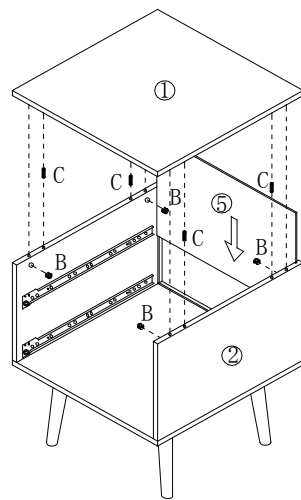
2



4



5



6

