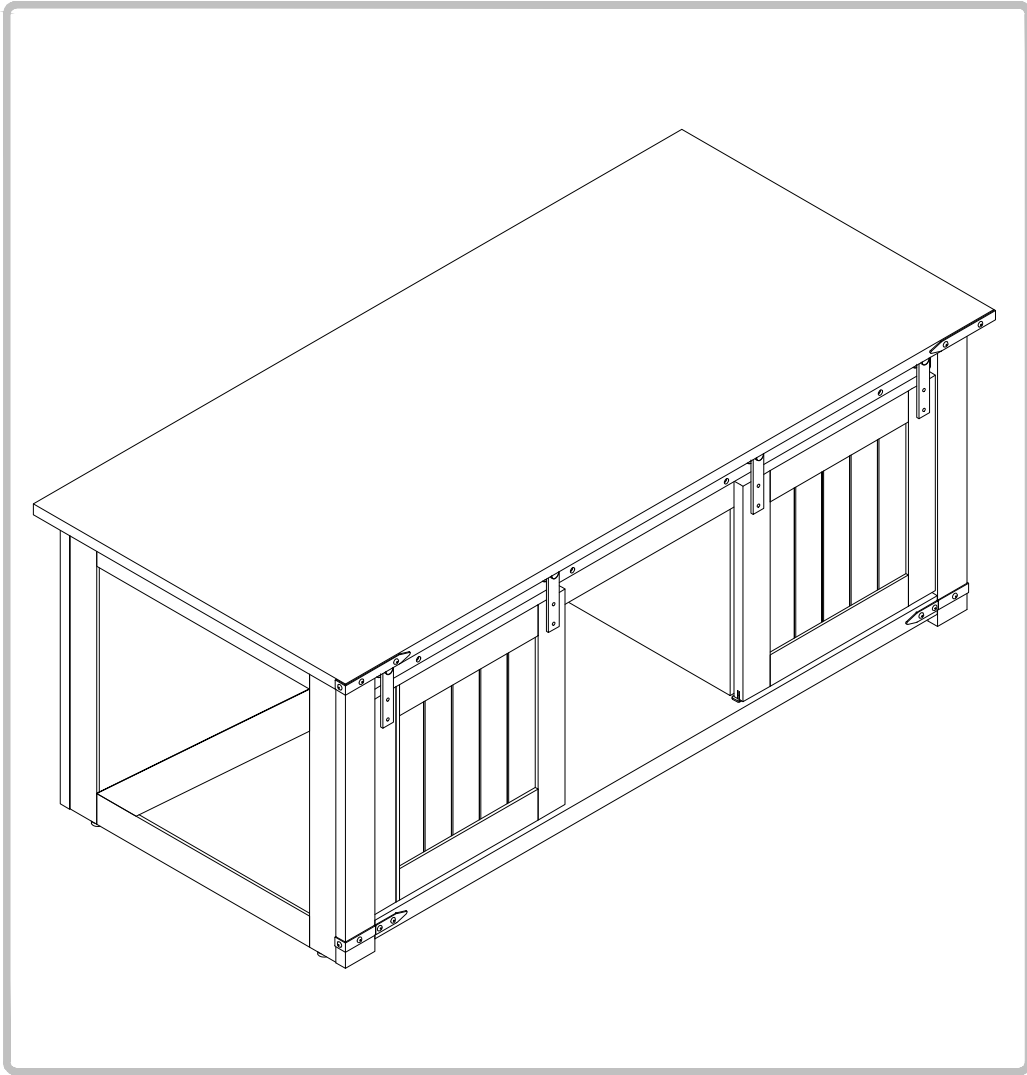


# Owner Manual



**2 ADULTS ASSEMBLY REQUIRED**  
**Se necesitan dos adultos para ensamblar**

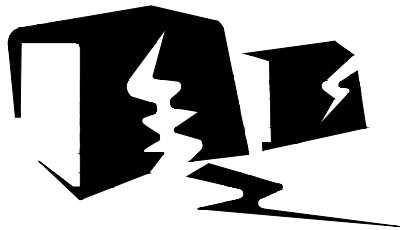
**THIS INSTRUCTION BOOKLET CONTAINS IMPORTANT SAFETY INFORMATION.  
PLEASE READ AND KEEP FOR FUTURE REFERENCE.**  
Date 2025-12-11

# BUYING TIPS By Customer Team

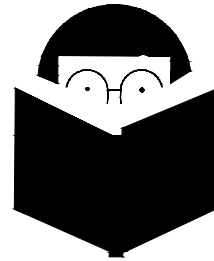
---



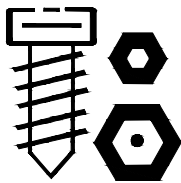
If you have any questions below, please feel free to contact us. We will respond within 24 hours.



ANY DAMAGE



READ INSTRUCTIONS  
CAREFULLY



MISS SOME PARTS



OTHER QUESTIONS

## GENERAL INFORMATION, TIPS AND TRICKS

1. Please read the Assembly Instructions prior to assembling this product.
2. Remove all hardware from the box and sort by size.
3. Check to see that all hardware and parts are present BEFORE assembling.
4. Ask a friend to assist you with the assembly of this furniture.
5. To avoid damage, assemble the product on a sturdy, level and protective surface.
6. Please wait until all steps are completed before fully tightening bolts.
7. Make sure all screws and bolts are tightly fastened before the unit is used.
8. CAUTION If you use an electric screwdriver to tighten screws, be careful to slow.
9. stop when the screws are tightened. Failure to do so may result in stripping of the screws.
10. If the installation kit is equipped with anti-tip device, It is recommended to secure the cabinet to the wall with screws after installation to prevent it from falling down.

## SAFETY INFORMATION

The accessory bag contains some small accessories , which should be kept away from children.

Kids are not allowed to climb or playwith the product for safety reasons.

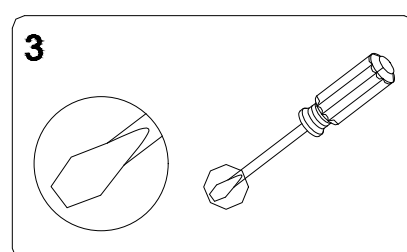
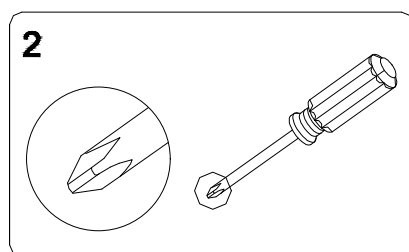
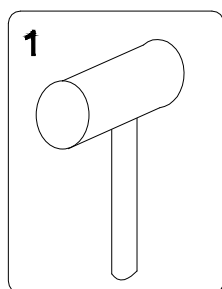
---

## NECESSARY TOOLS – YOU WILL NEED THESE TOOLS FOR ASSEMBLY

1.RUBBER MALLET

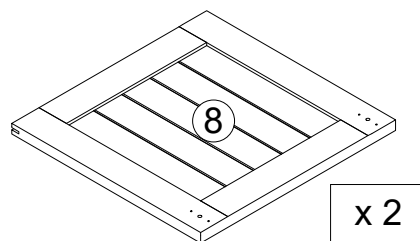
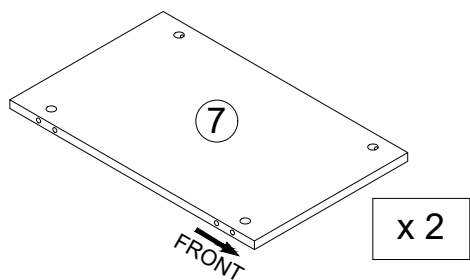
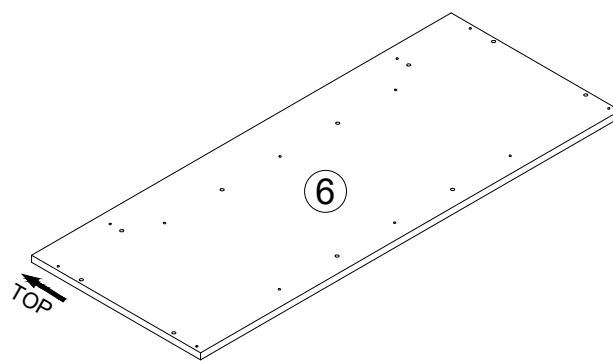
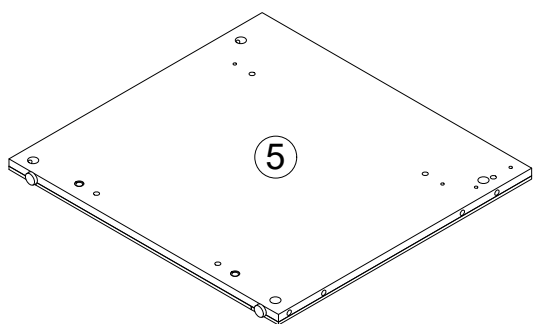
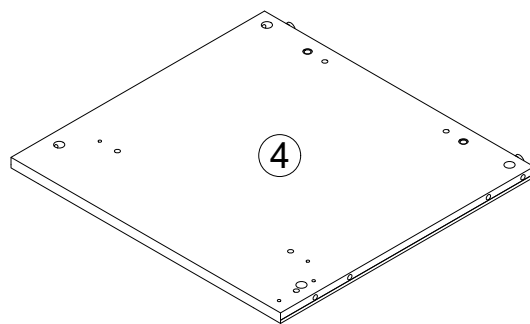
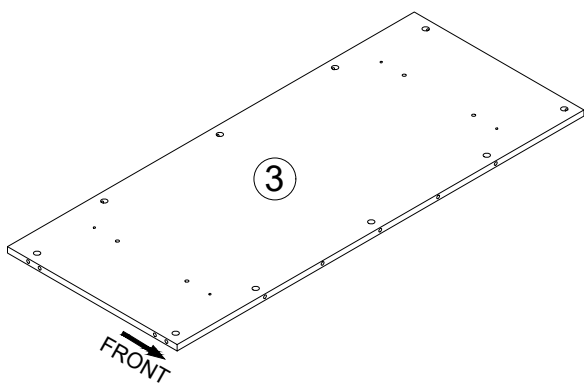
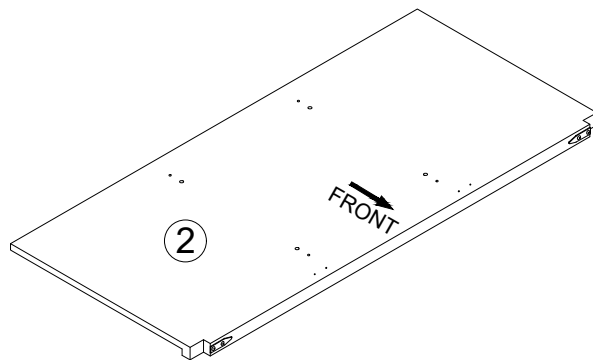
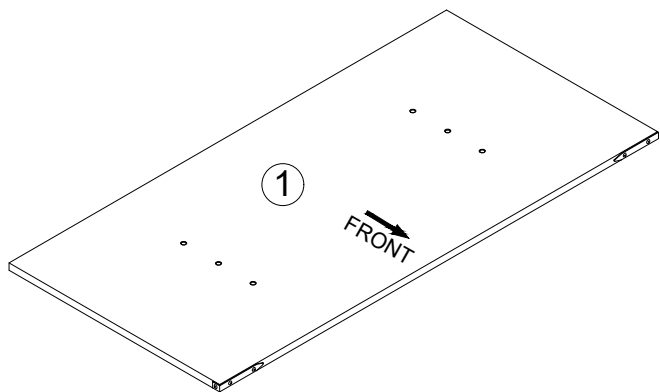
2.PHILLIPS HEAD SCREW DRIVER

3.FLAT HEAD SCREW DRIVER

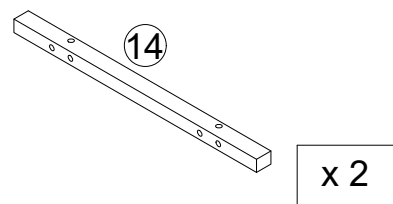
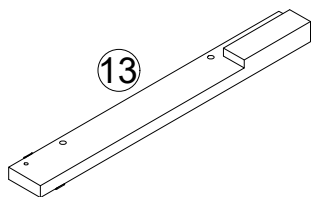
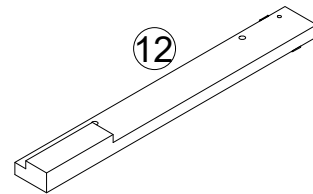
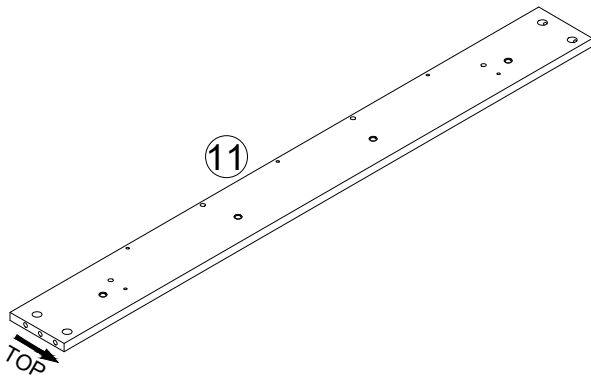
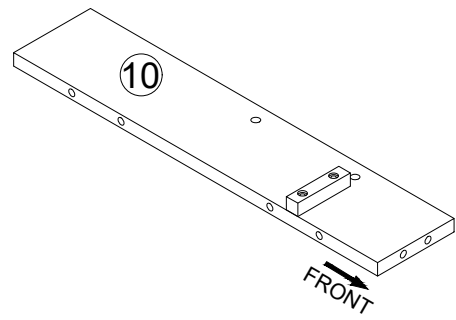
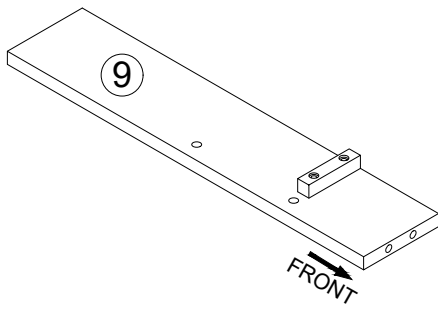


NOW YOU ARE READY TO BEGIN ACTUAL ASSEMBLY!

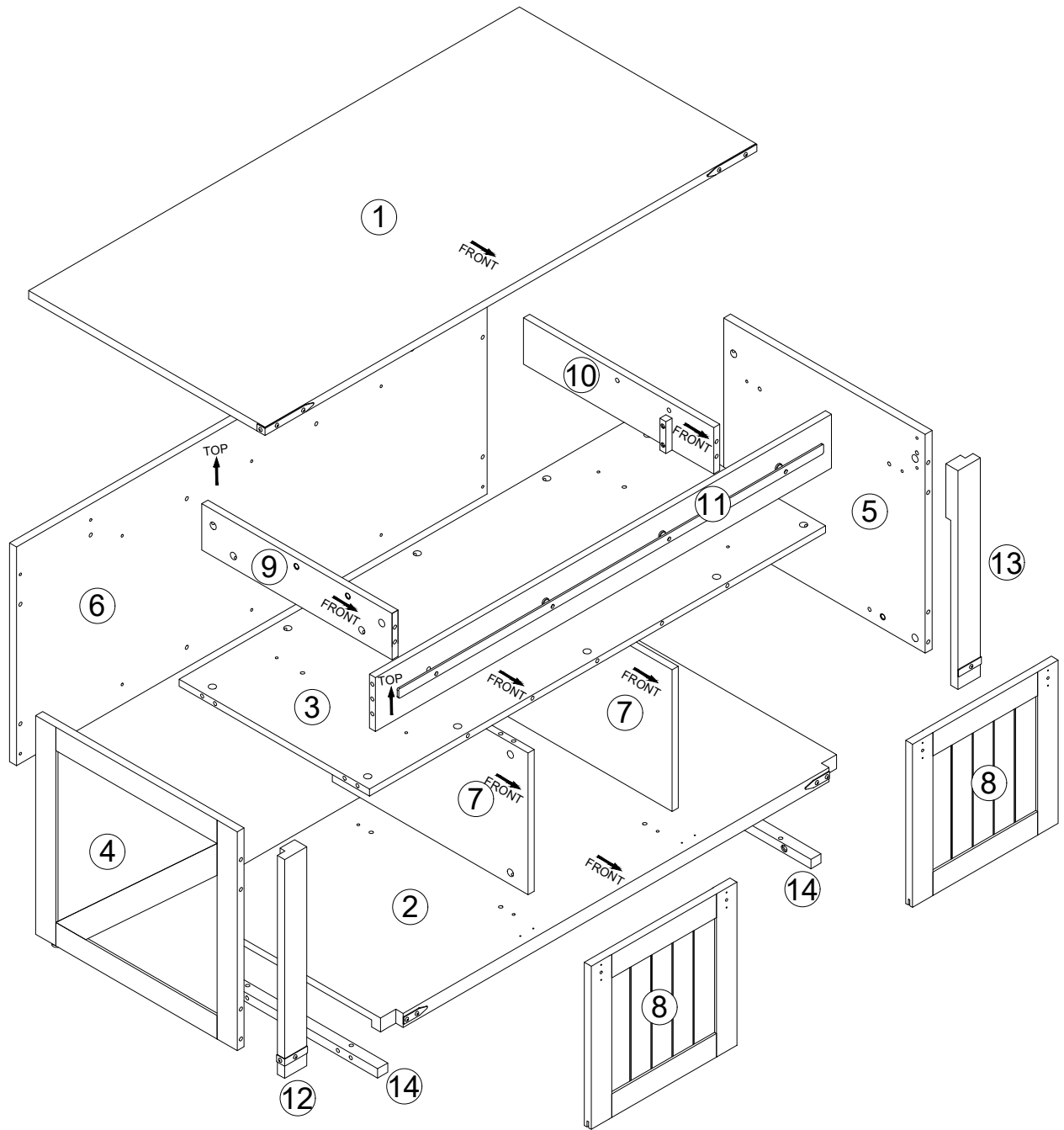
# BOARD IDENTIFICATION




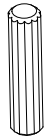


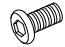
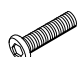
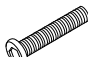
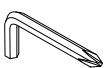

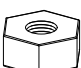

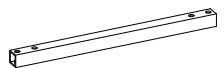

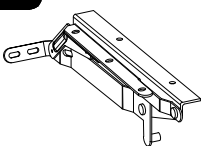
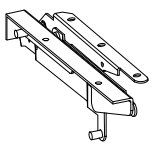
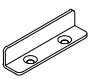


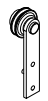


# BOARD IDENTIFICATION



# BOARD IDENTIFICATION



# HARDWARE IDENTIFICATION

<p><b>A</b></p>  <p>Glue Qty: 1</p>	<p><b>B</b></p>  <p>Wood Dowel Ø8*30mm Qty: 40</p>	<p><b>C</b></p>  <p>Cam Lock Ø15*12mm Qty: 41</p>	<p><b>D</b></p>  <p>Cam Bolt Ø7*34mm Qty: 41</p>	<p><b>E</b></p>  <p>Bolt Ø1/4*12mm Qty: 10</p>
<p><b>F</b></p>  <p>Bolt Ø1/4*30mm Qty: 12</p>	<p><b>G</b></p>  <p>Bolt Ø1/4*35mm Qty: 4</p>	<p><b>H</b></p>  <p>Hex key Qty: 1</p>	<p><b>I</b></p>  <p>Wrench Qty: 1</p>	<p><b>J</b></p>  <p>Nut Qty: 4</p>
<p><b>K</b></p>  <p>Crash pad Qty: 6</p>	<p><b>L</b></p>  <p>Metal tube Qty: 1</p>	<p><b>M</b></p>  <p>Metal tube Qty: 2</p>	<p><b>N</b></p>  <p>Left lift mechanism Qty: 1</p>	<p><b>O</b></p>  <p>Right lift mechanism Qty: 1</p>
<p><b>P</b></p>  <p>Angle bracket Qty: 2</p>	<p><b>Q</b></p>  <p>Screw Ø3.5*12*6mm Qty: 12</p>	<p><b>R</b></p>  <p>L-shaped metal bracket Qty: 4</p>	<p><b>S</b></p>  <p>Door guide roller Qty: 4</p>	<p><b>T</b></p>  <p>Screw Ø4*14*8mm Qty: 8</p>
<p><b>U</b></p>  <p>Sticker Qty: 29</p>				

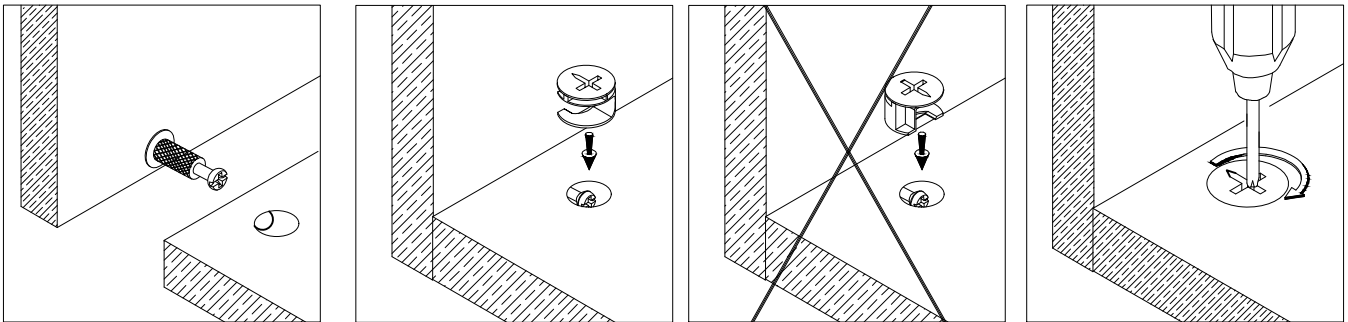
## CAM LOCK SYSTEM OPERATION

**NOTE:** When inserting the Cam Lock, make sure that the Open End of the Cam Lock faces the Cam Screw Entry. The Dowel will be inserted in the hole NEXT to the Cam Lock/Cam Screw Hole.

**NOTE:** The Cam Lock is backwards in this illustration. The Cam Screw can not connect to the Cam Lock because the Dowel is in the incorrect hole.

**NOTE:** To tighten, turn the Cam Lock CLOCKWISE until the arrow point AWAY from the connected Panel.

**NOTE:** DO NOT USE AN AUTOMATIC SCREWDRIVER TO TIGHTEN CAM LOCKS, DO NOT OVER-TIGHTEN.

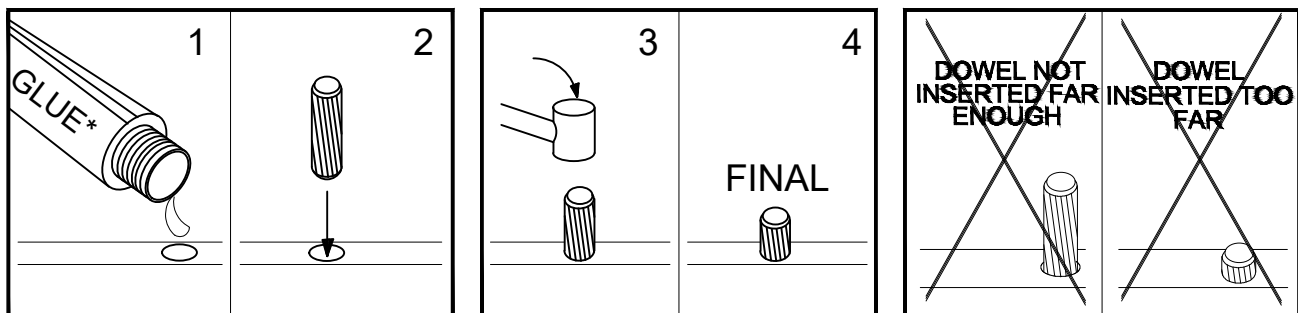


## IMPORTANT

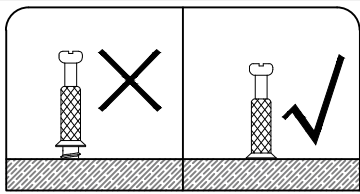
Before you begin: Open, identify and count all parts prior to assembly. Lay out parts on a flat and non-abrasive surface.

**NOTE:** IT IS VERY IMPORTANT TO USE GLUE WITH THE DOWELS. EXCESS GLUE CAN BE WIPED OFF WITH A DAMP CLOTH.

Insert Dowel at least half way by tapping lightly with a rubber mallet (not included), IF NECESSARY.



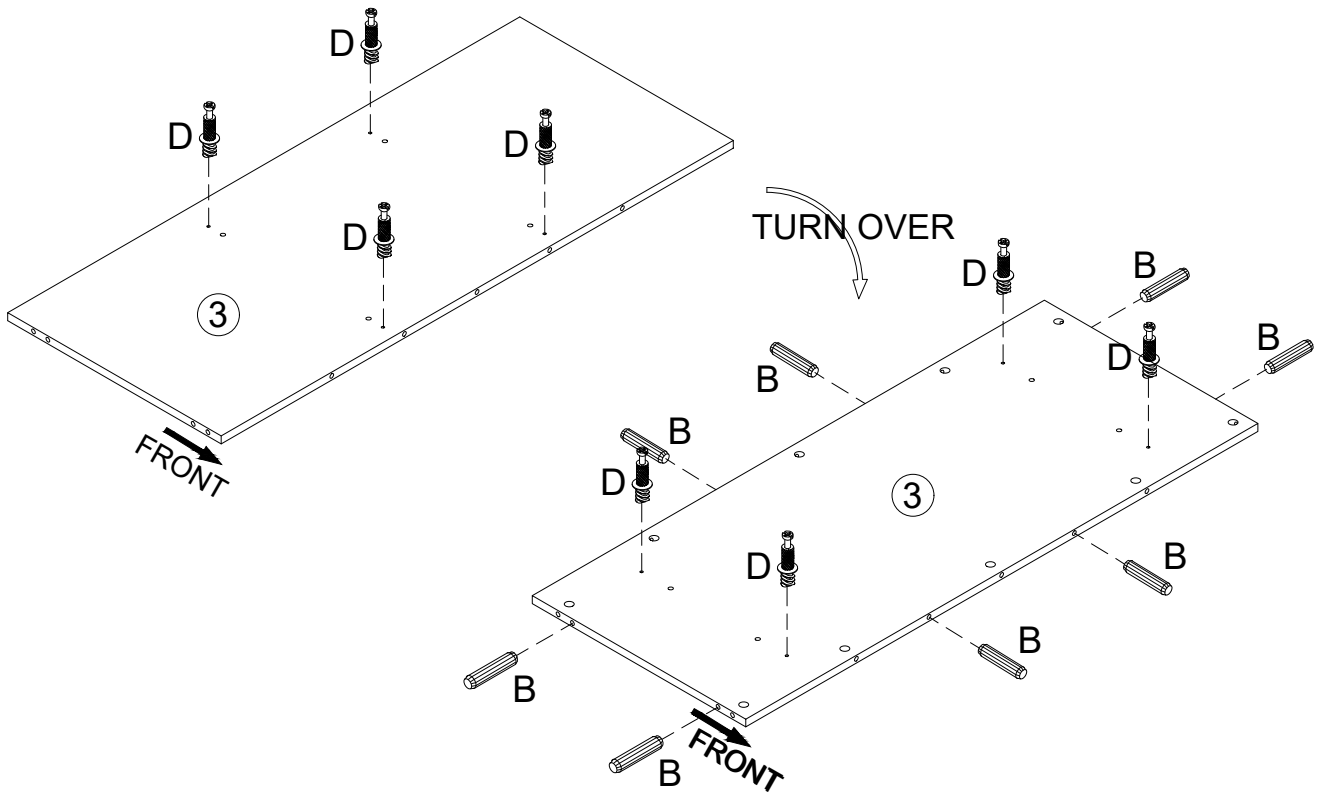
**STEP 1**



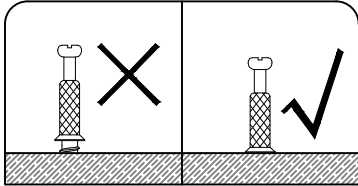
**B**  
**8x**



**D**  
**8 x**



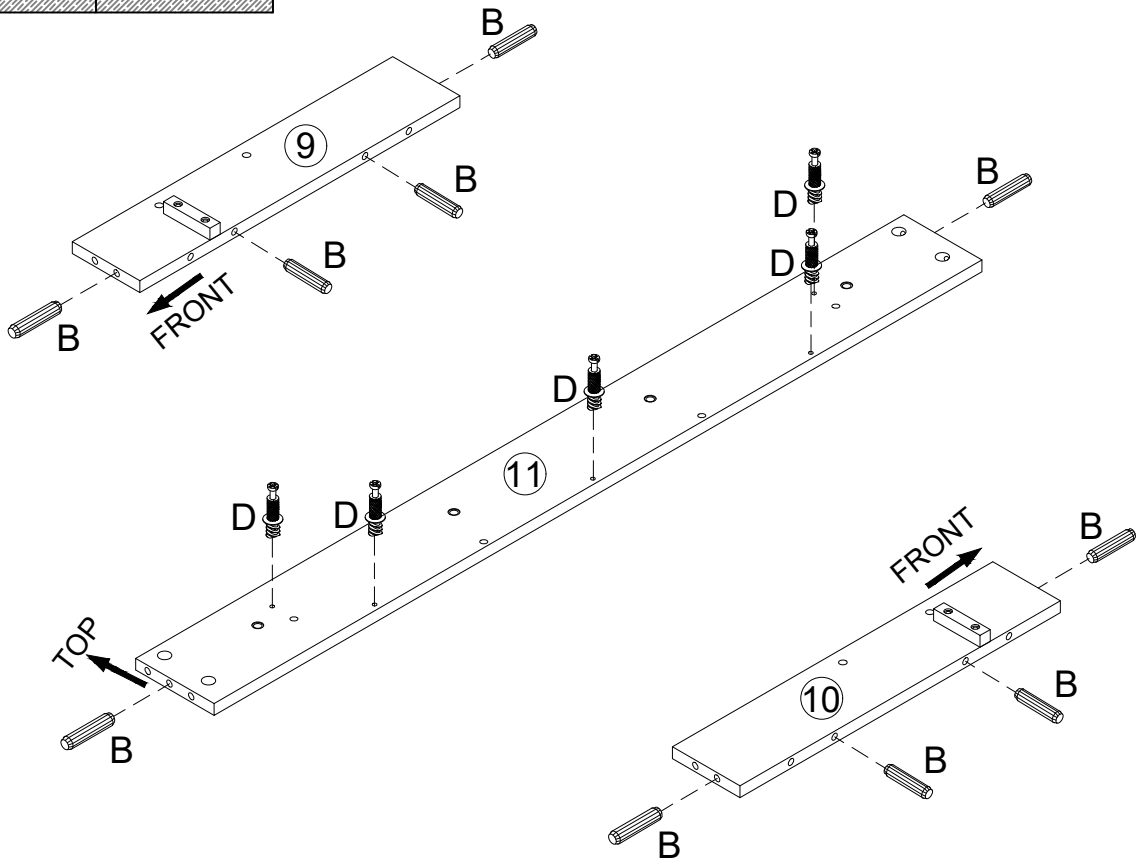
**STEP 2**



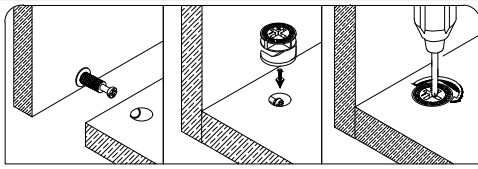
**B**  
**10x**



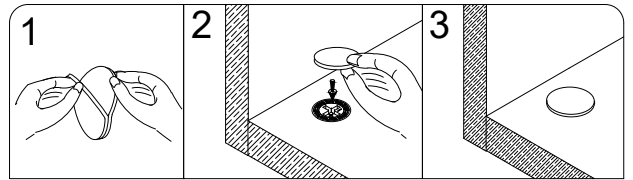
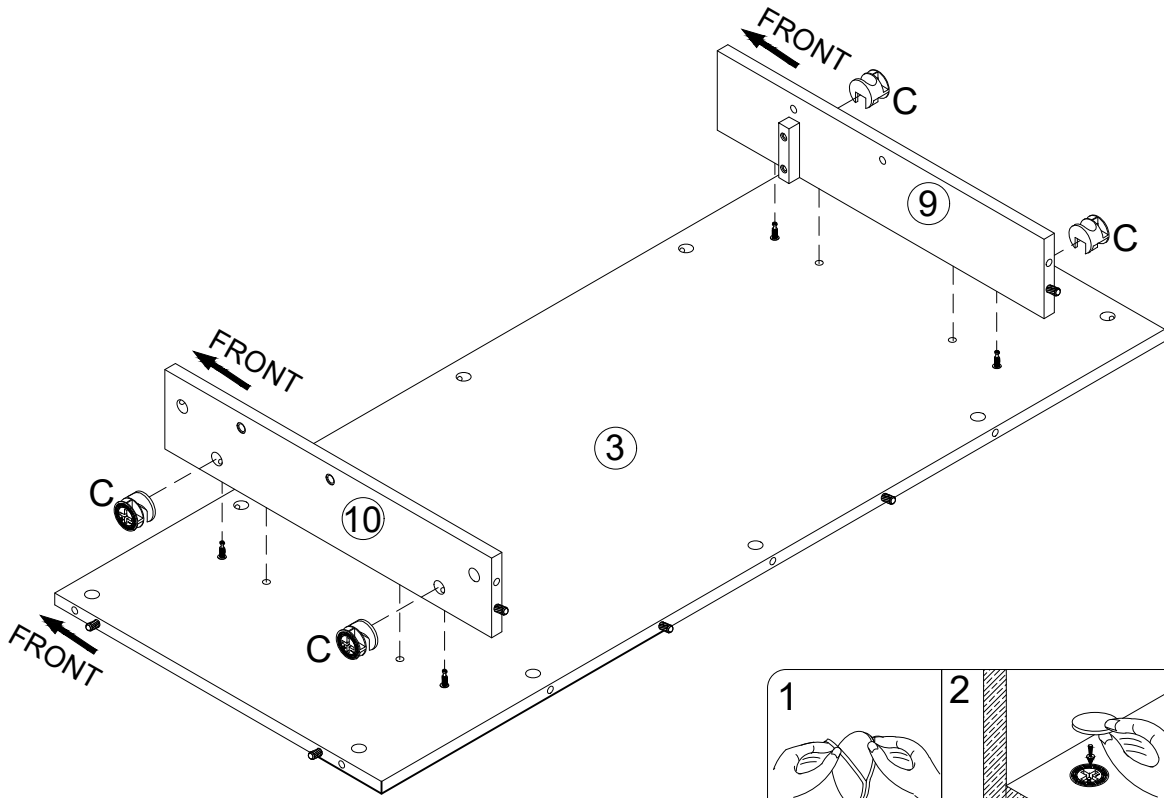
**D**  
**5 x**



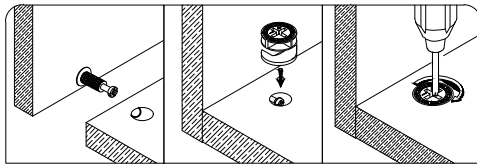
**STEP 3**



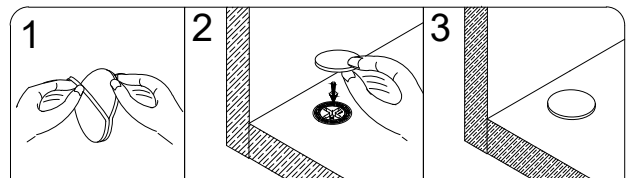
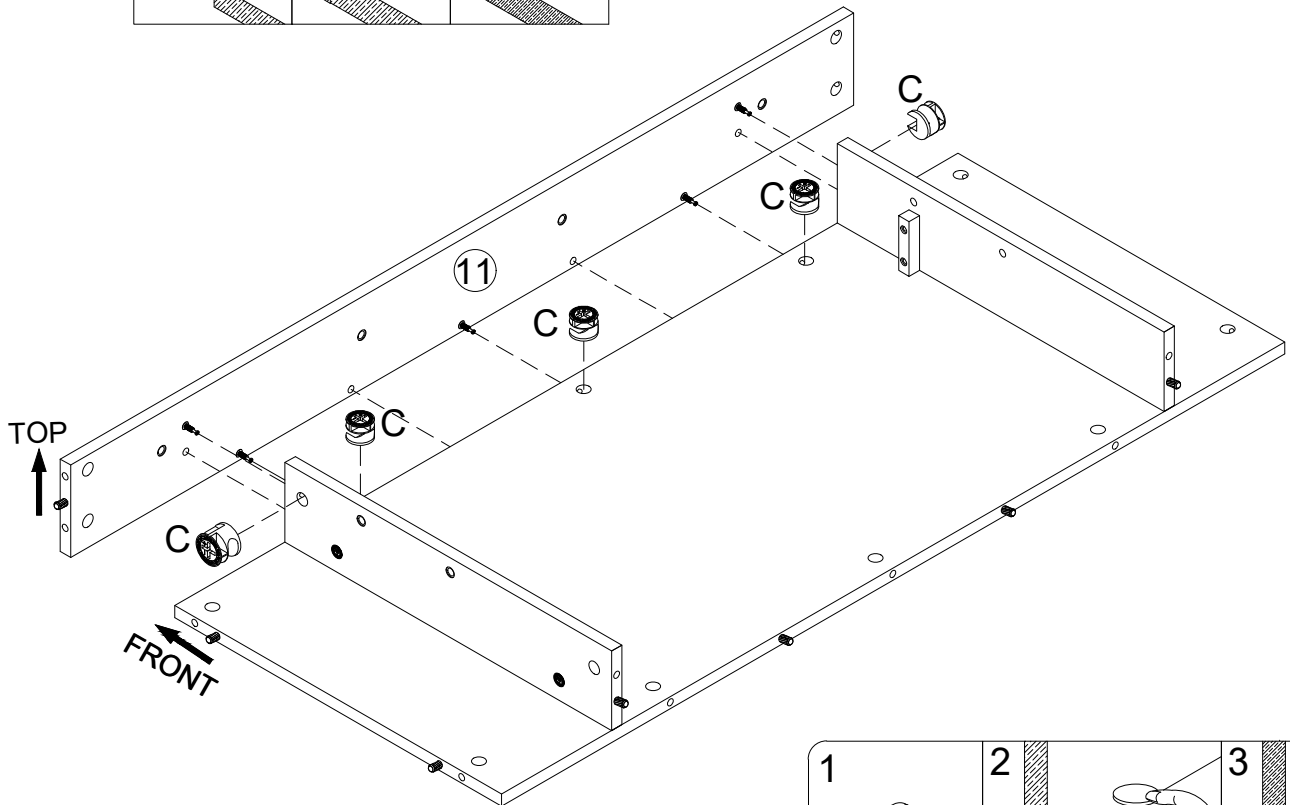
<b>C</b>		<b>U</b>	
<b>4 x</b>		<b>4 x</b>	



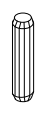
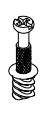
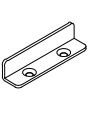
**STEP 4**

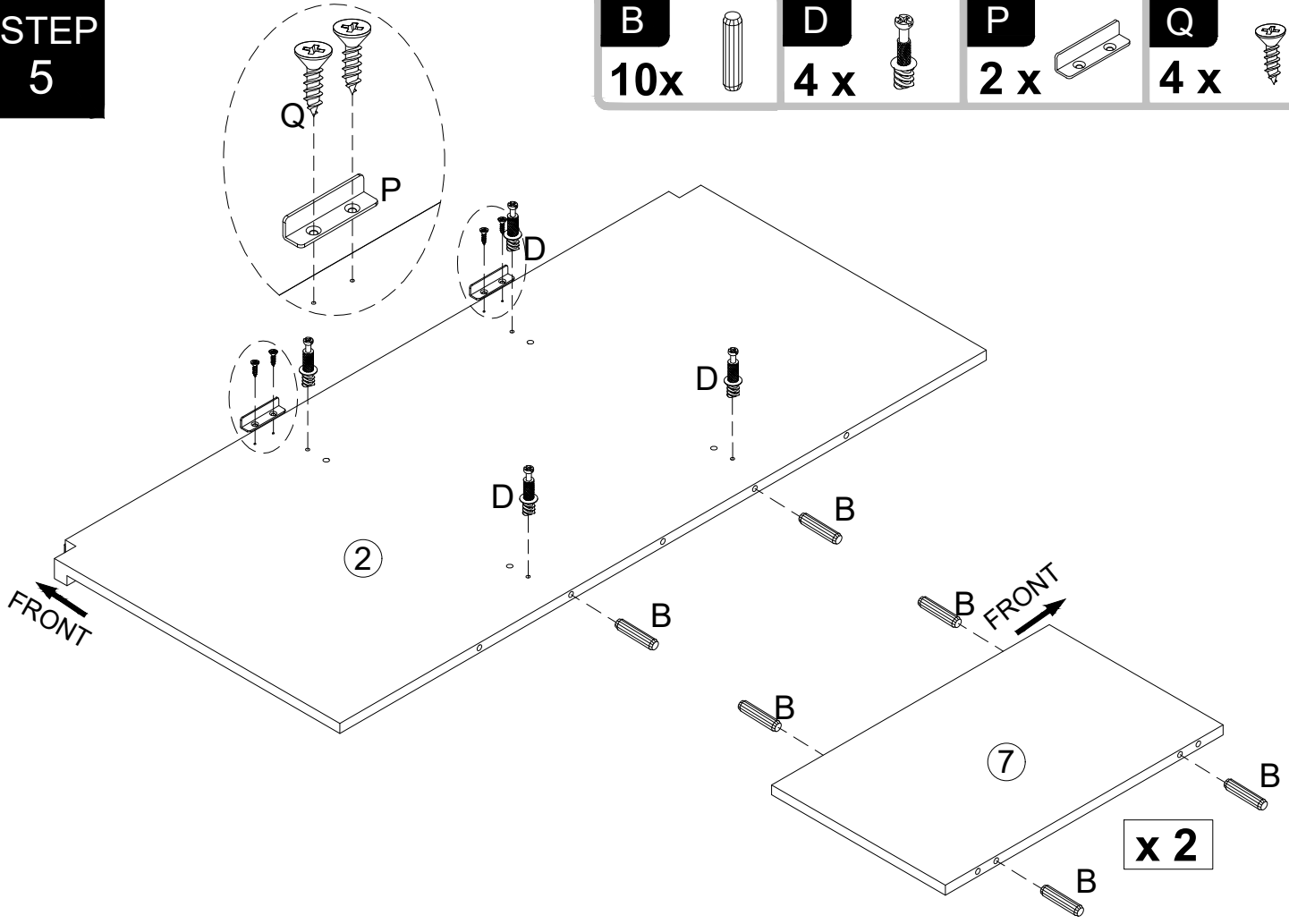


<b>C</b>		<b>U</b>	
<b>5 x</b>		<b>5 x</b>	



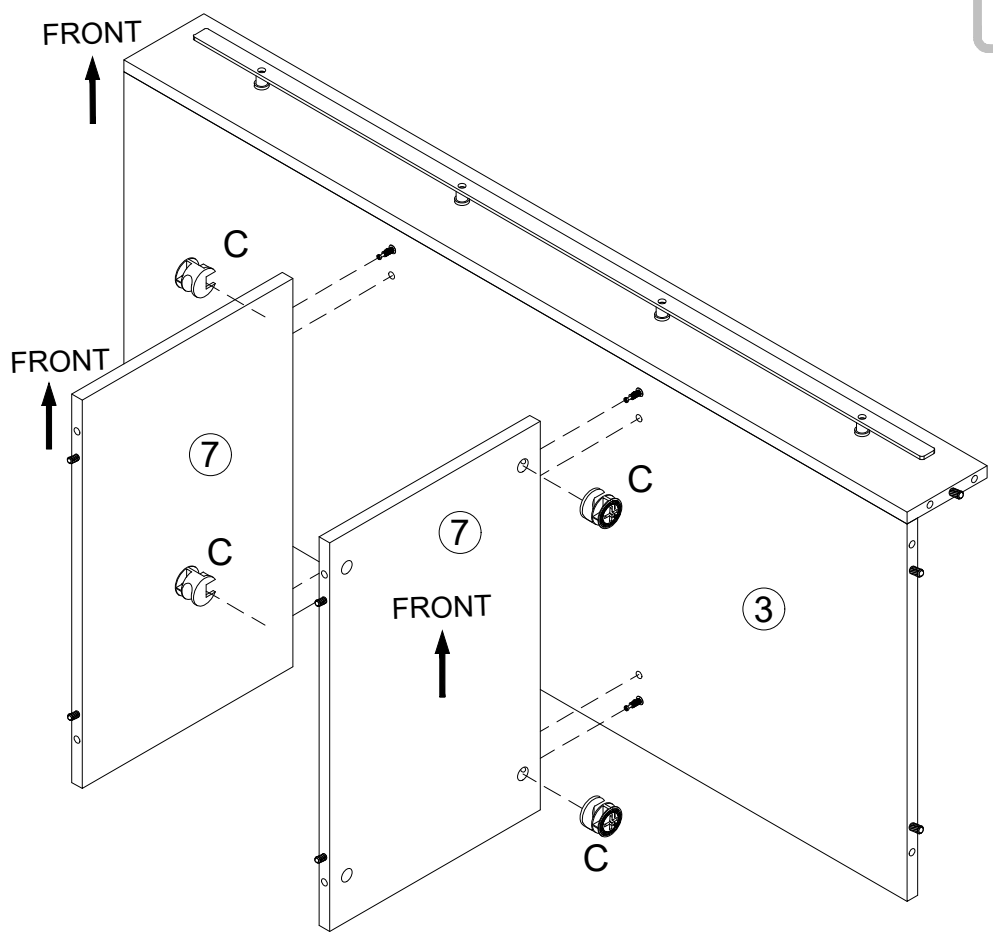
**STEP**  
**5**

- B** 10x 
- D** 4x 
- P** 2x 
- Q** 4x 

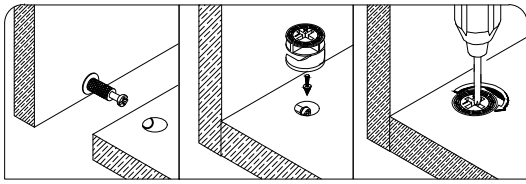


**STEP**  
**6**

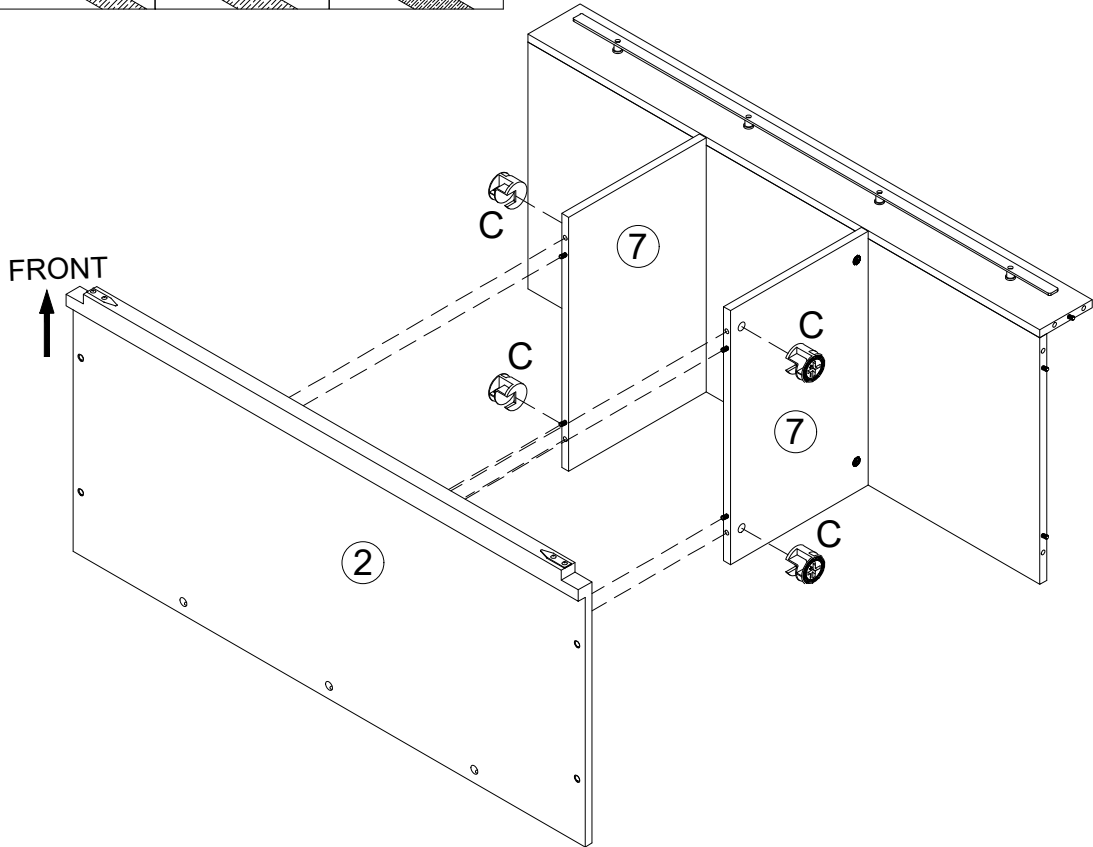
- C** 4x 



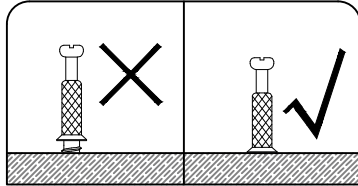
**STEP**  
**7**



**C**  
**4 x**



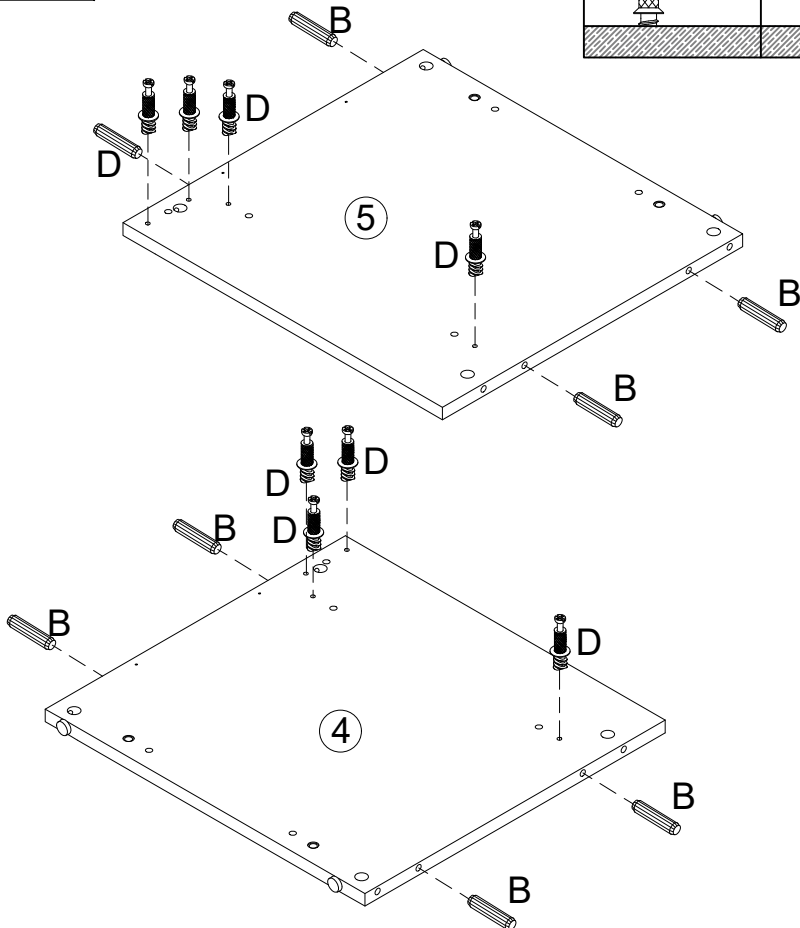
**STEP**  
**8**



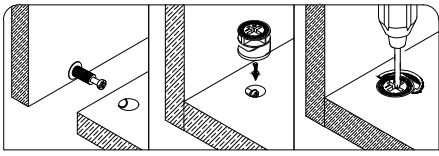
**B**  
**8 x**



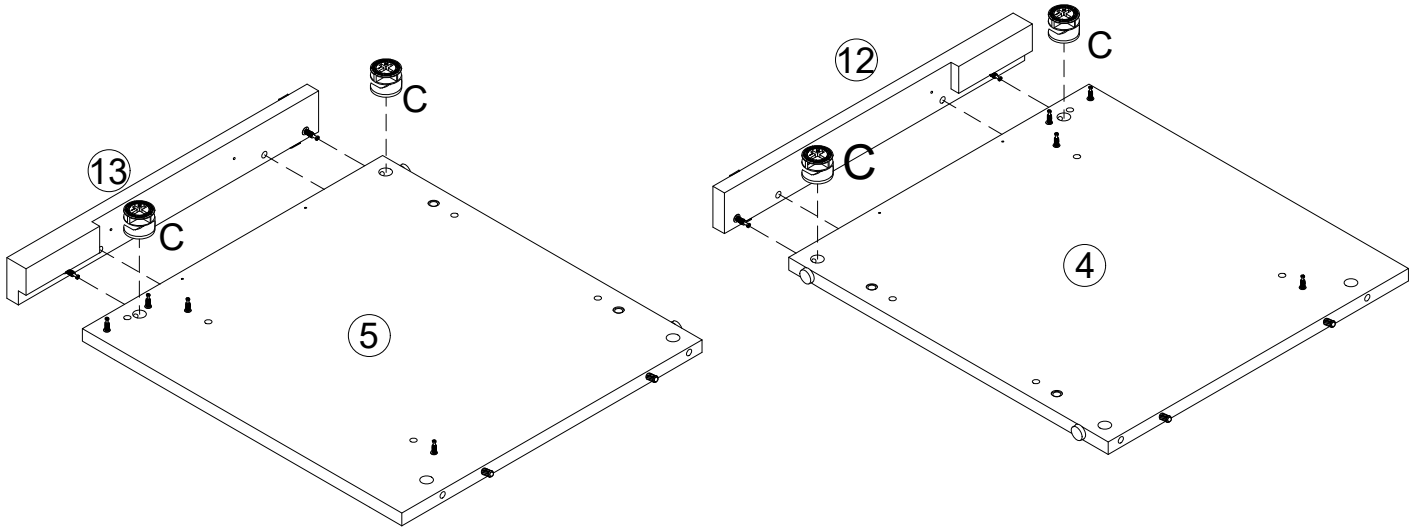
**D**  
**12 x**



**STEP**  
**9**



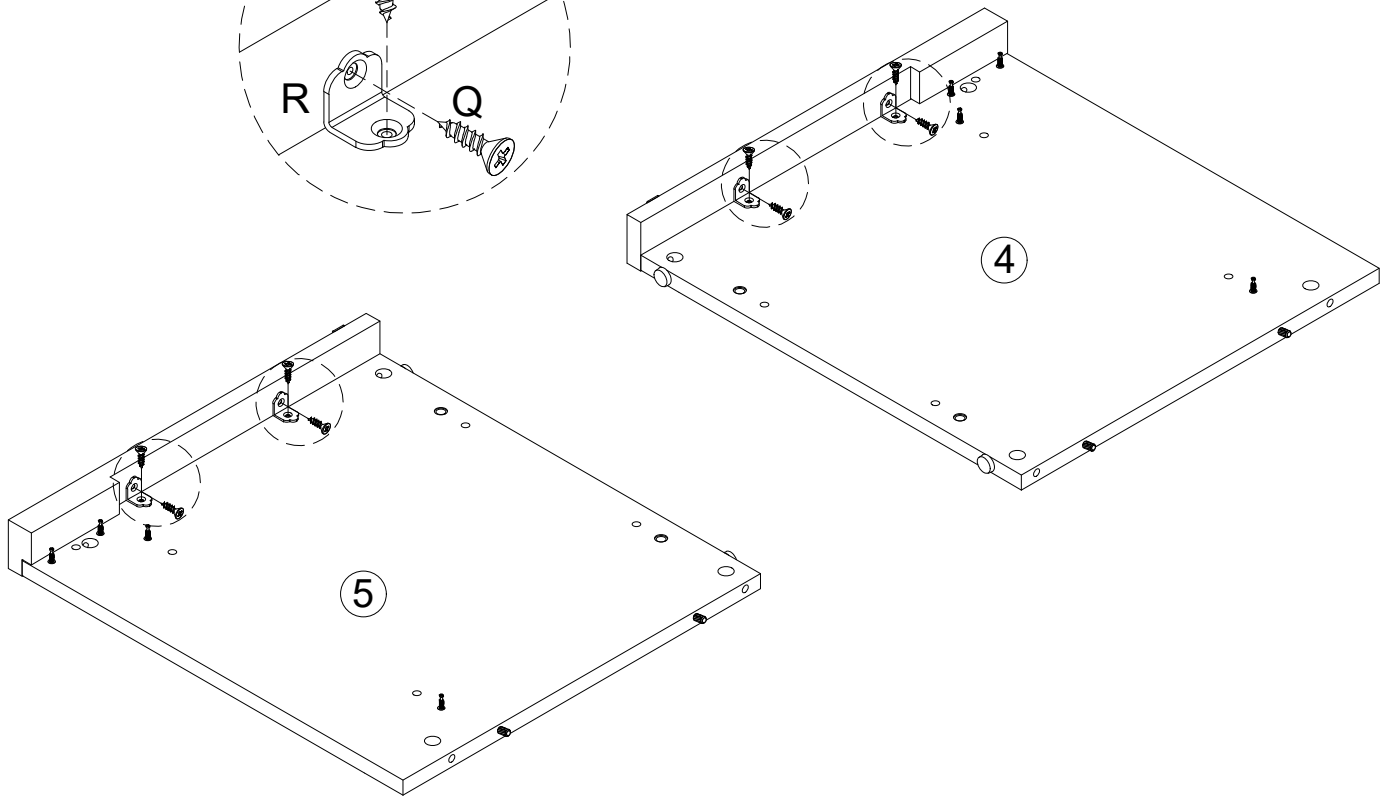
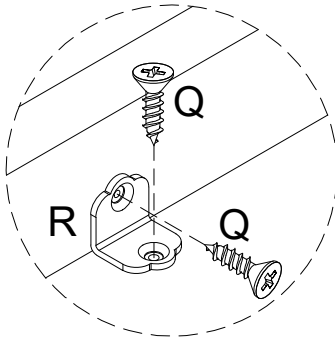
**C**  
**4 x**



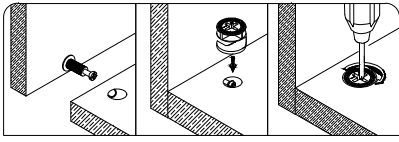
**STEP**  
**10**

**R**  
**4 x**

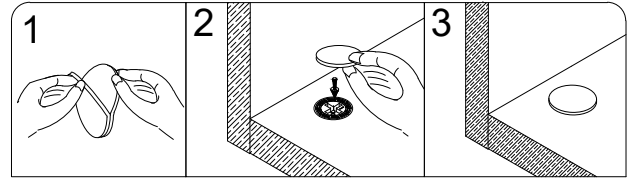
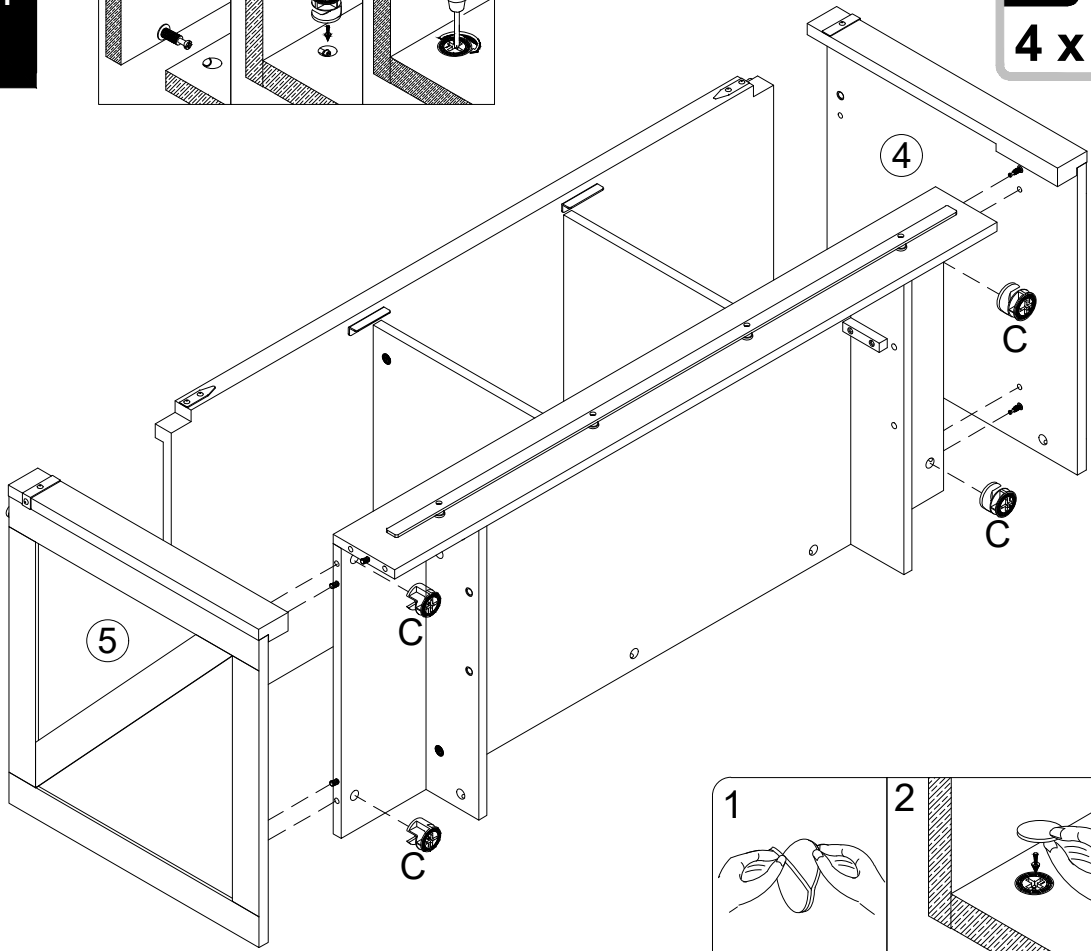
**Q**  
**8 x**





**STEP**  
**11**

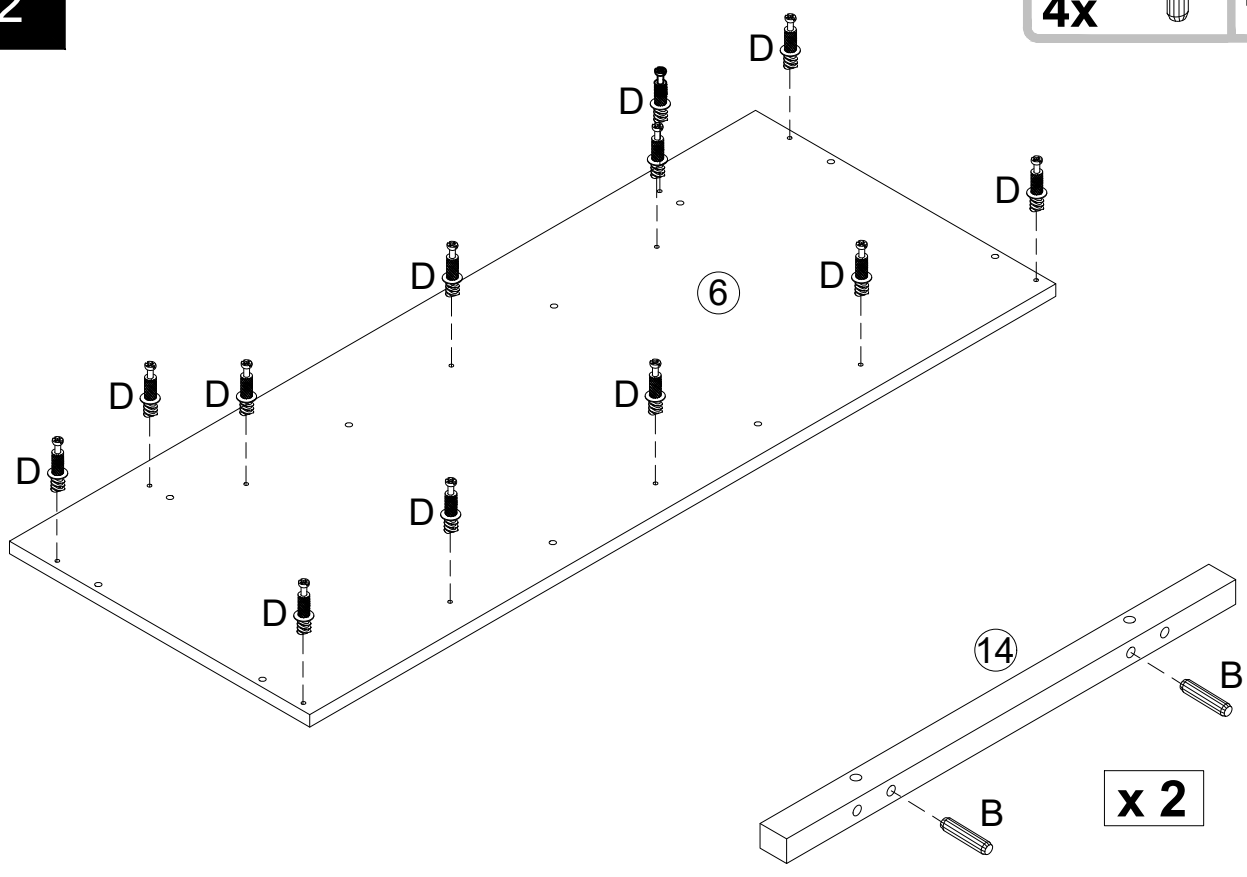


**C** 4 x  **U** 4 x 



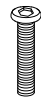
**STEP**  
**12**

**B** 4 x  **D** 12 x 

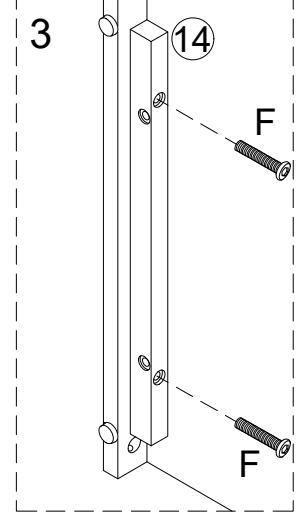
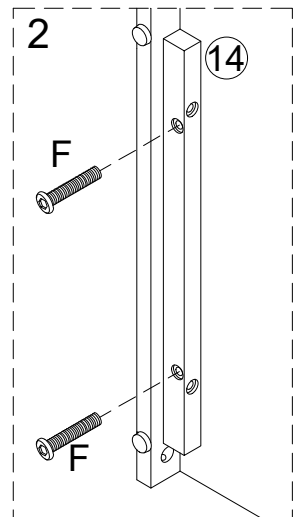
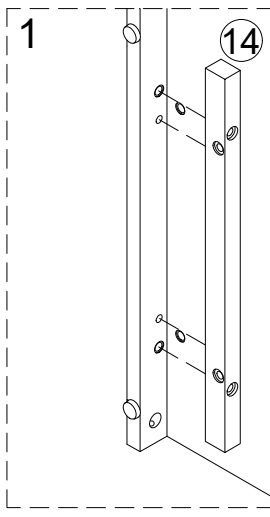
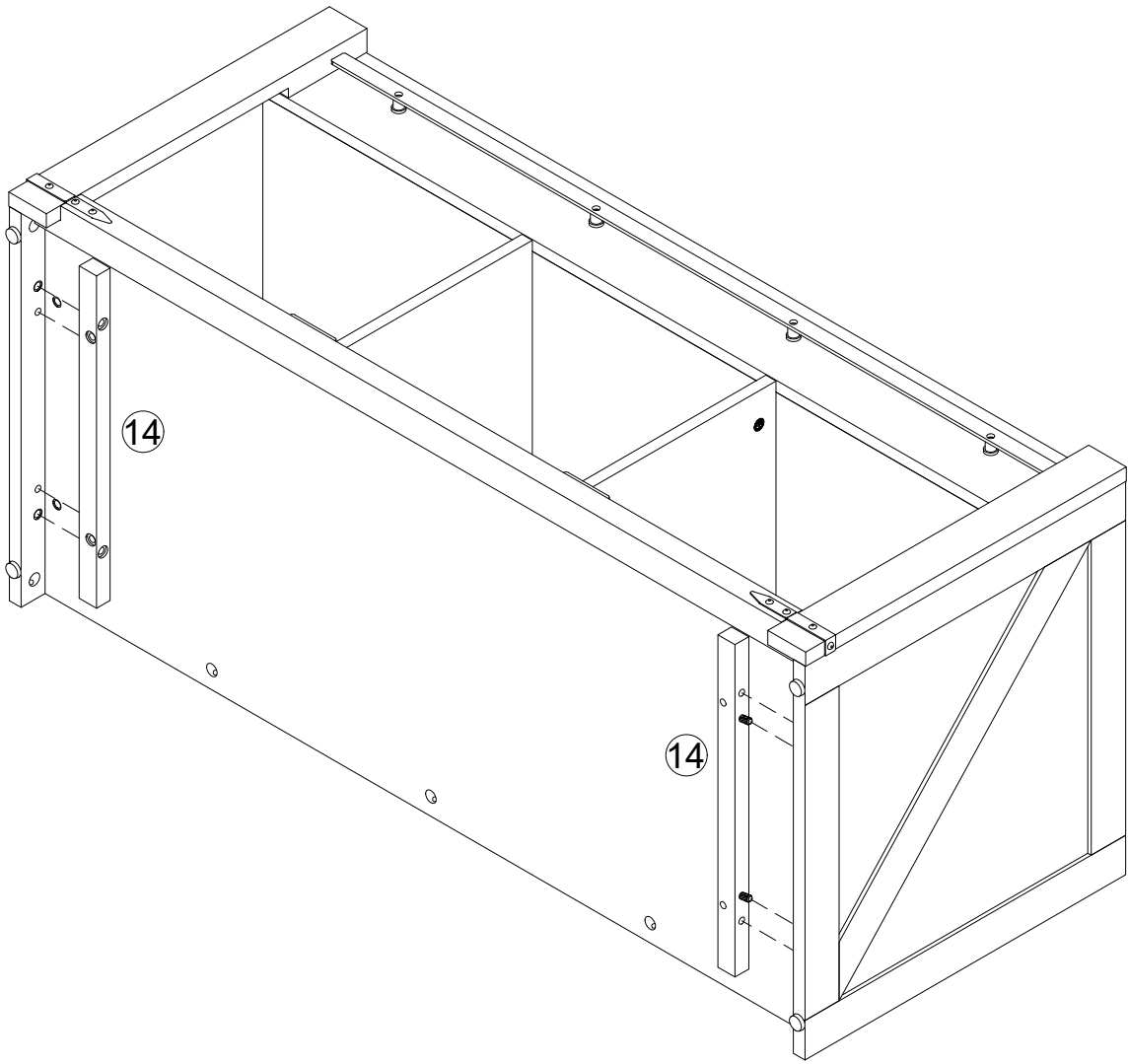


**STEP**  
**13**

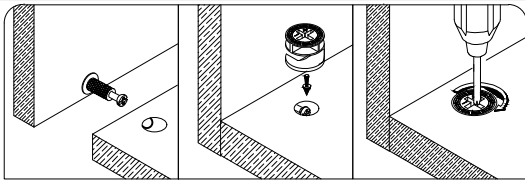
**F**  
**8 x**




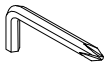
**H**



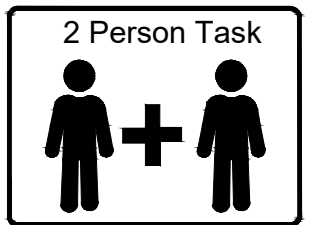
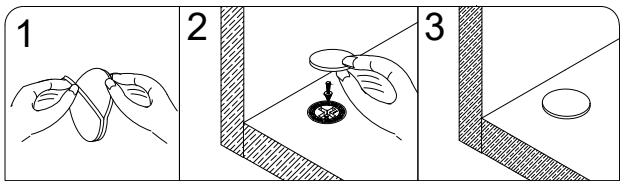
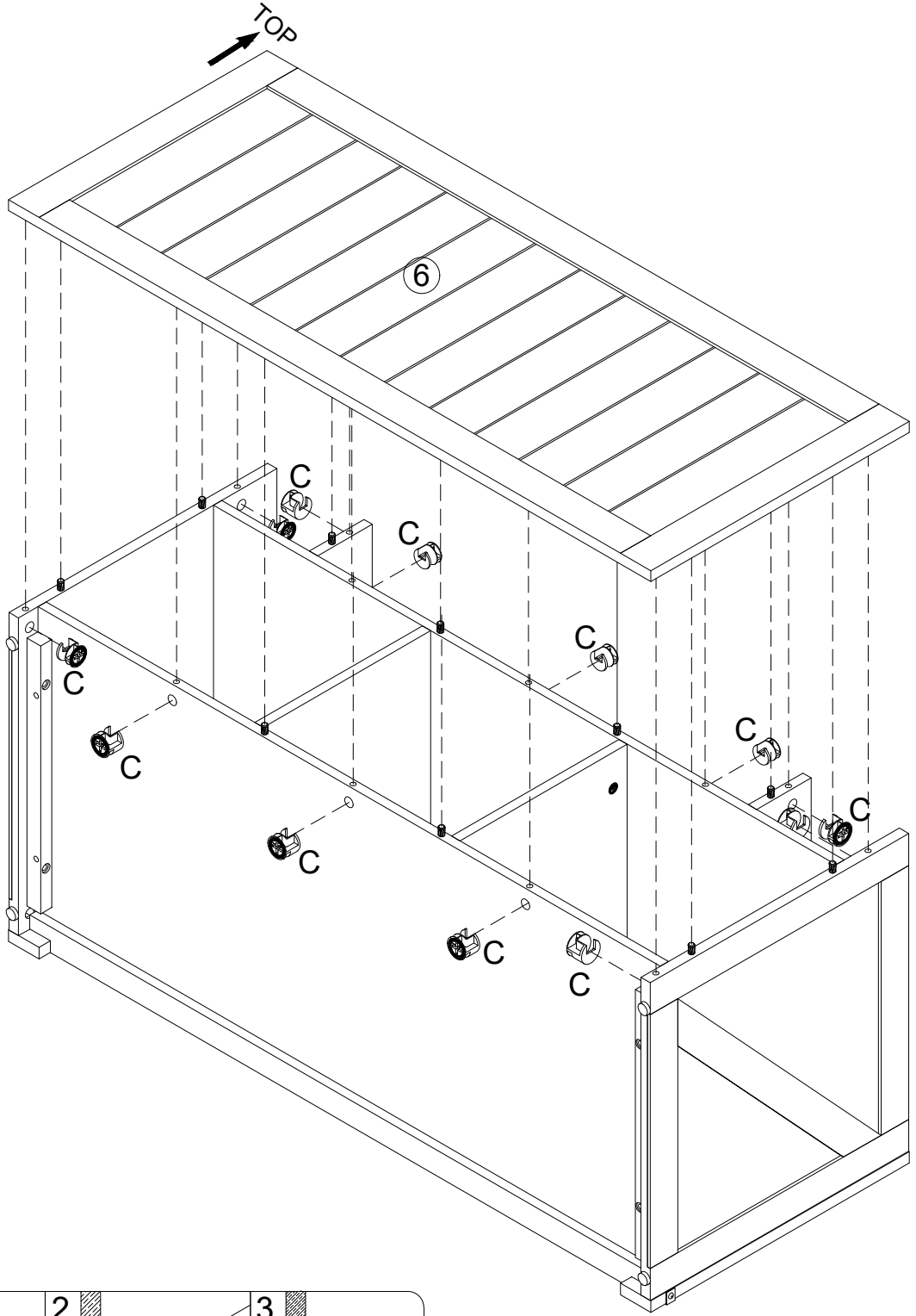
**STEP**  
**14**



**C**  
**12 x** 

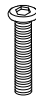
**H** 

**U**  
**12 x** 

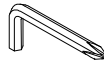


**STEP**  
**15**

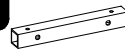
**G**  
**4 x**



**H**



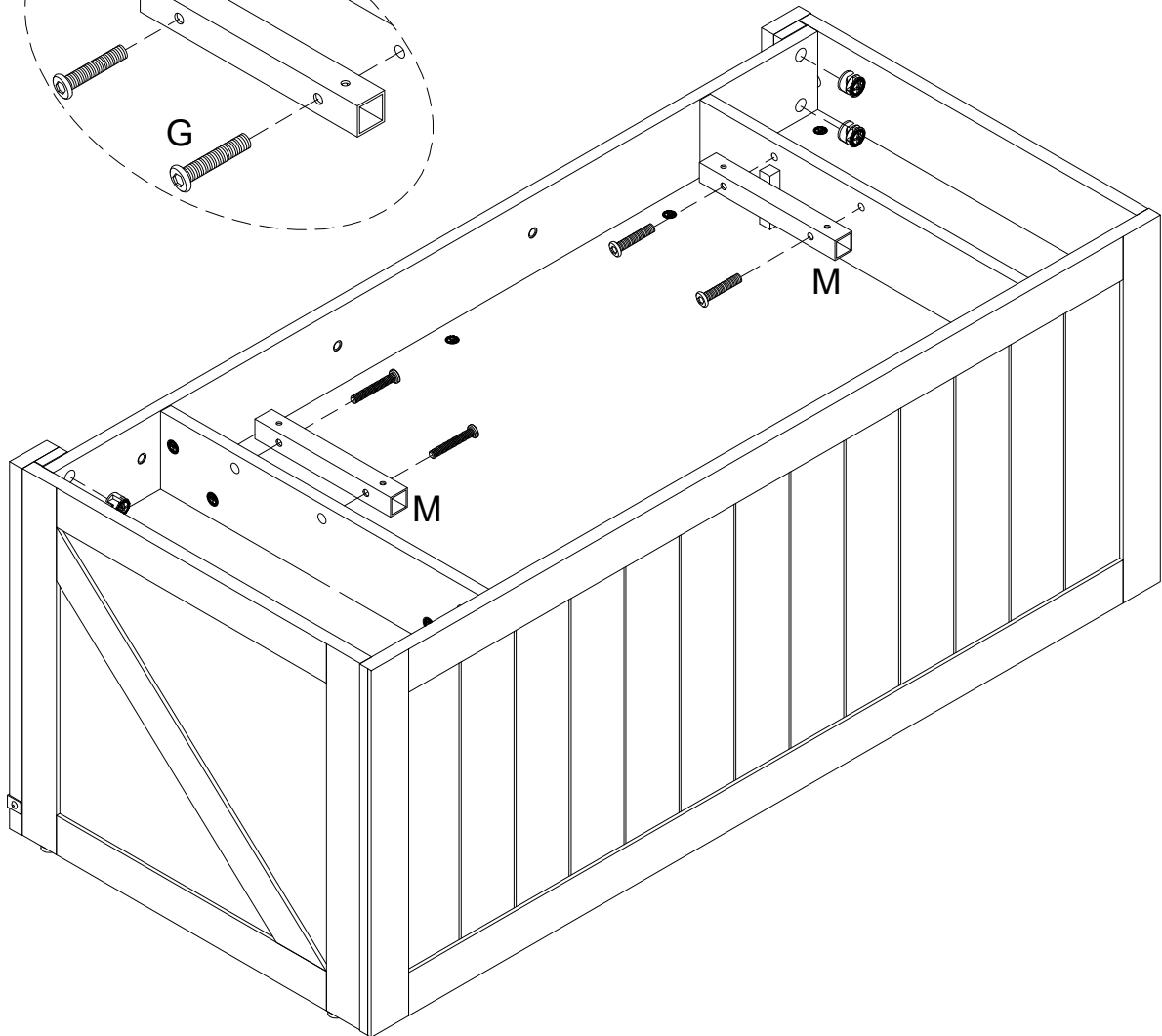
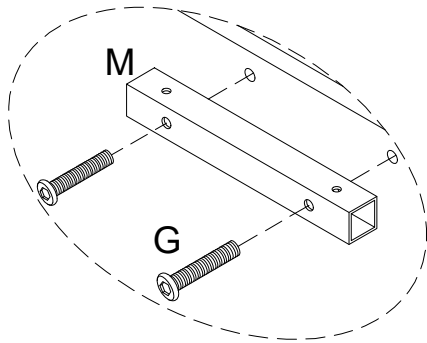
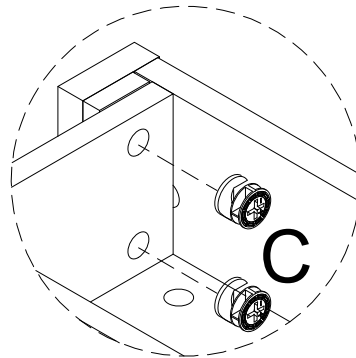
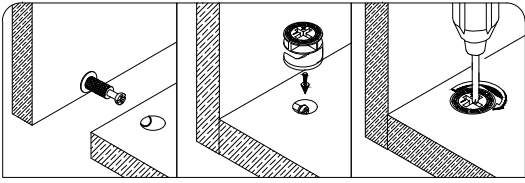
**M**  
**2 x**



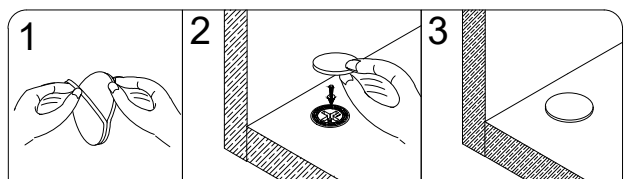
**C**  
**4 x**



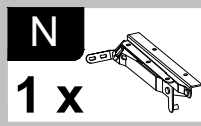
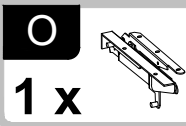
**U**  
**4 x**



Attach (M) to (9), (10) with (G) as illustrated.

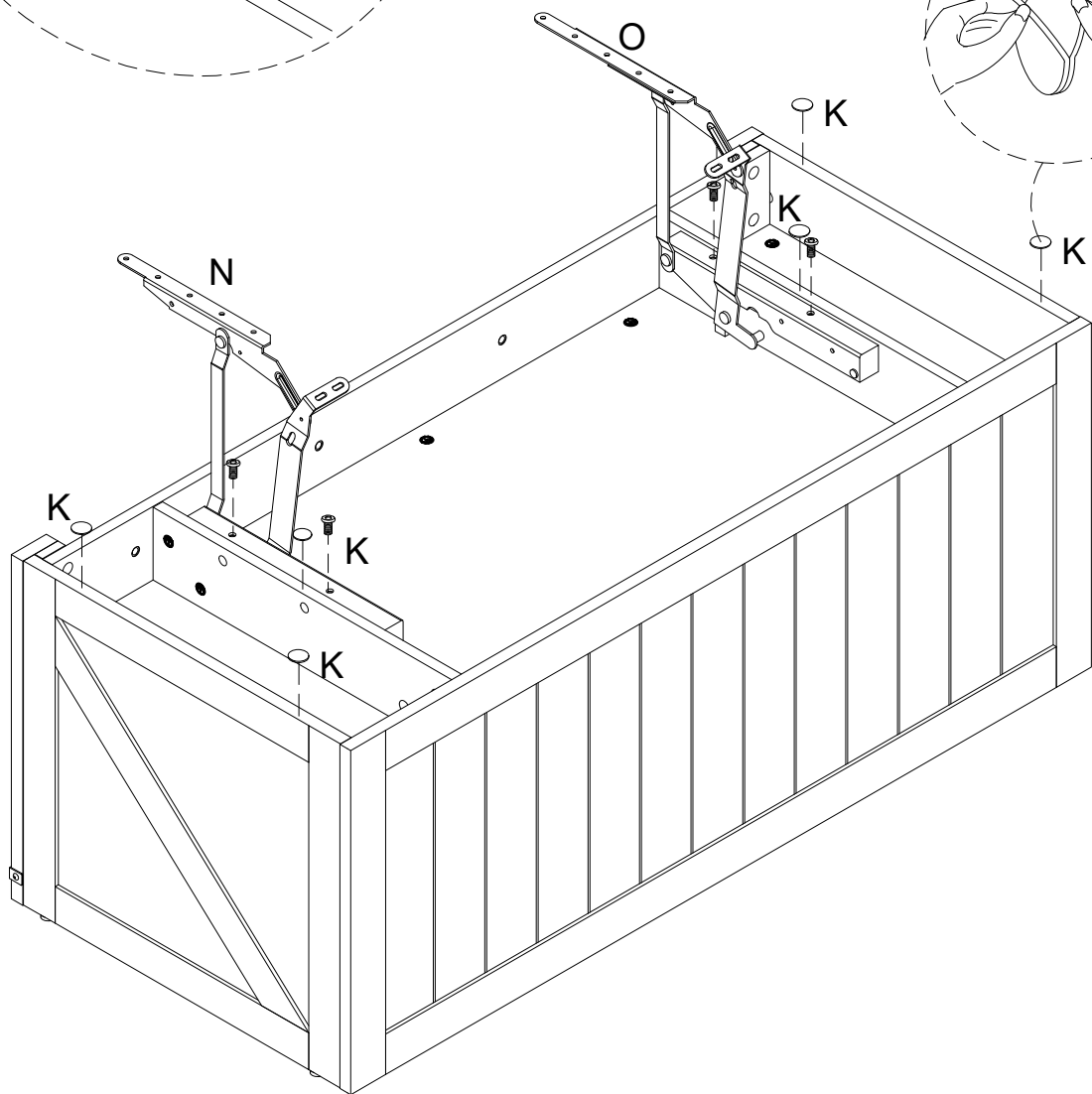
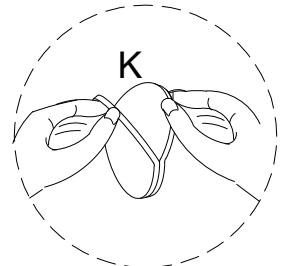
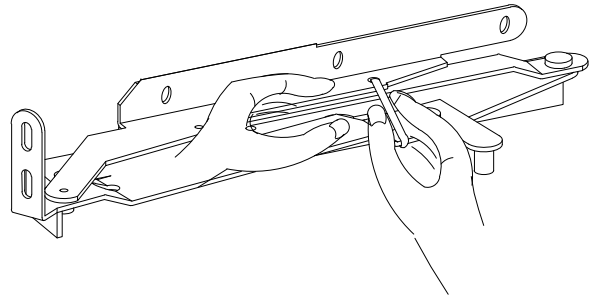
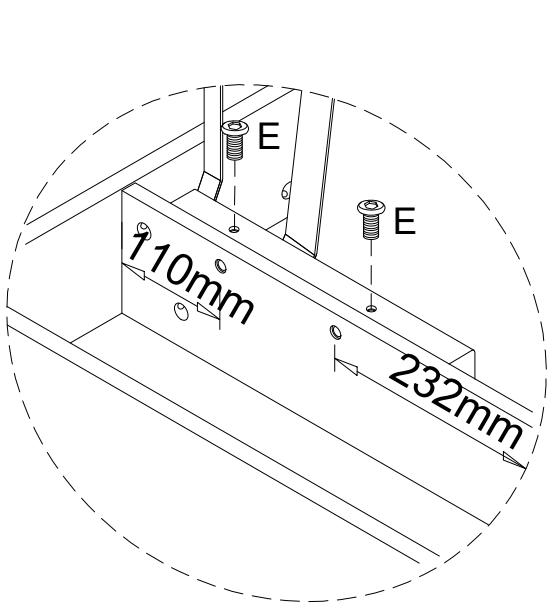


**STEP**  
**16**



Attach (N), (O) to (M) with (E) as illustrated.

**⚠ CAUTION: Mechanism spring under tension. Use caution when removing.**



**STEP  
17**

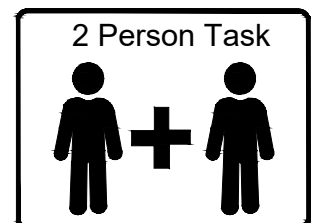
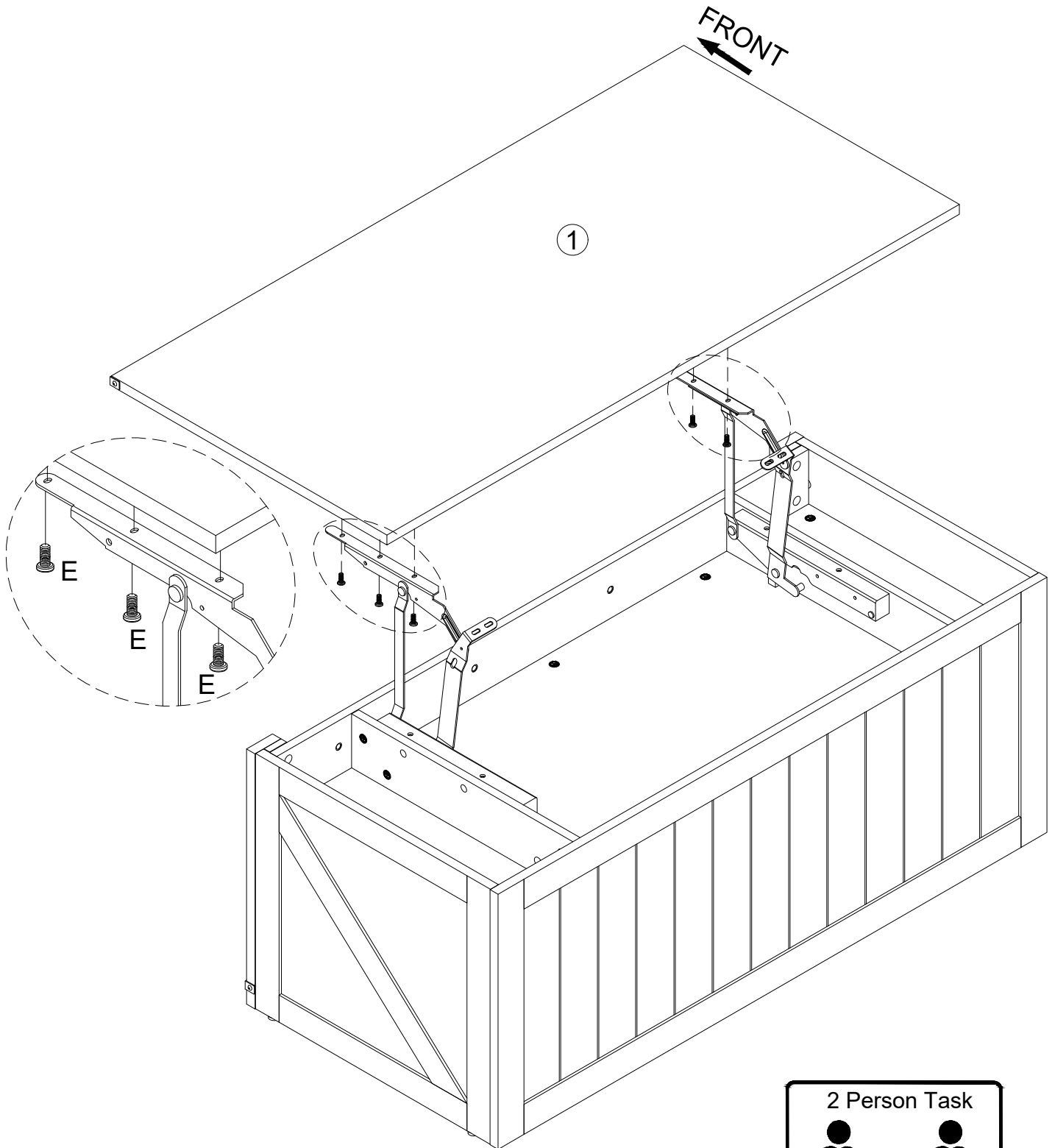
**E**  
**6 x**



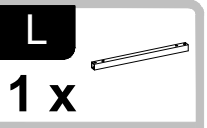
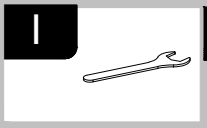
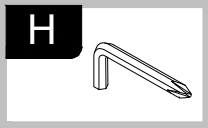
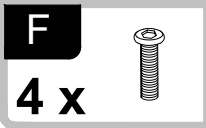
**H**



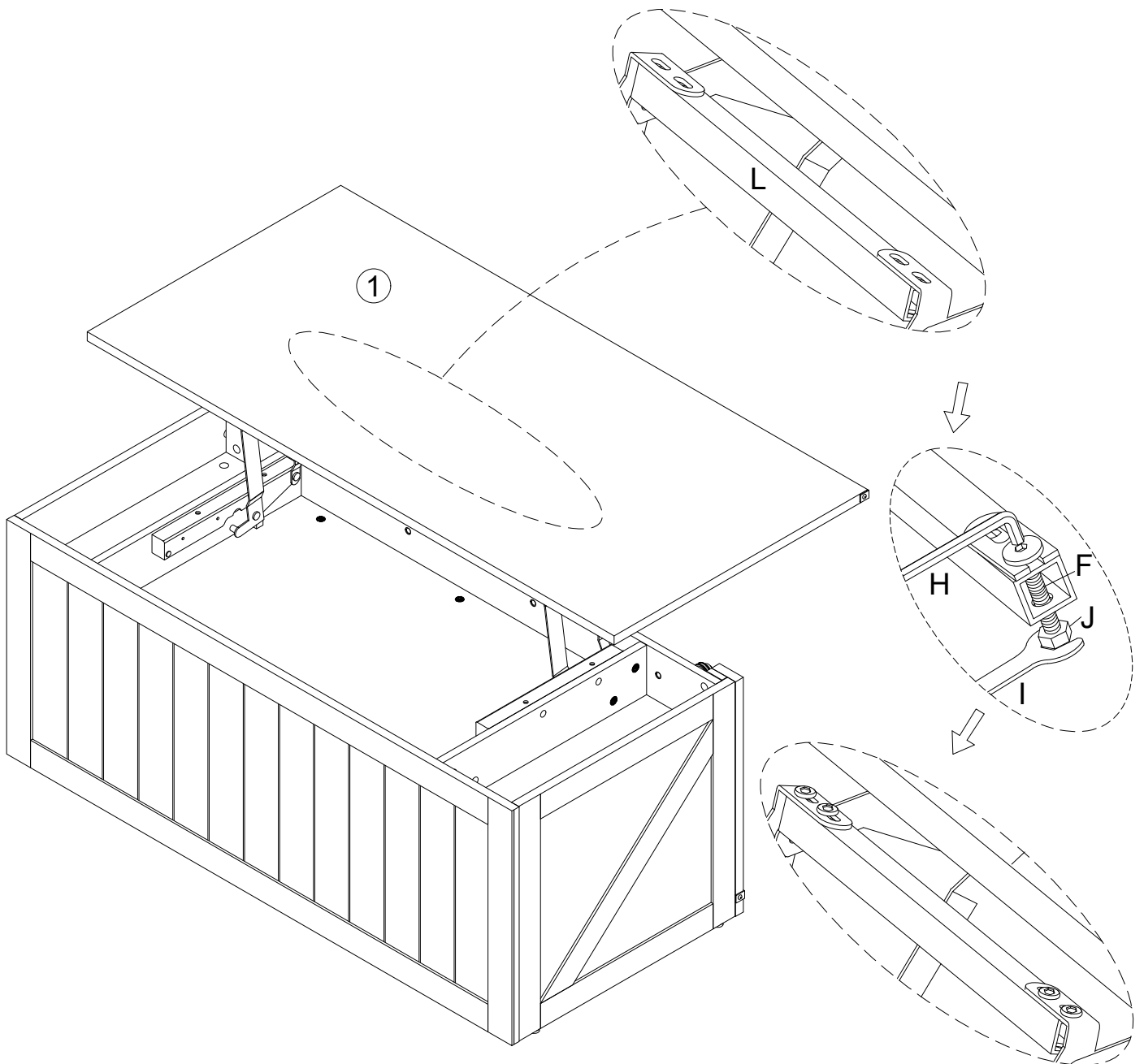
Attach (1) to (N), (O) with (E) as illustrated.



**STEP**  
**18**



Attach (L) to (N), (O) with (F) and (J) as illustrated.

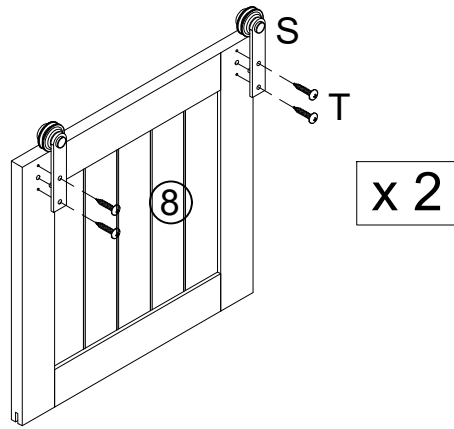


**STEP  
19**

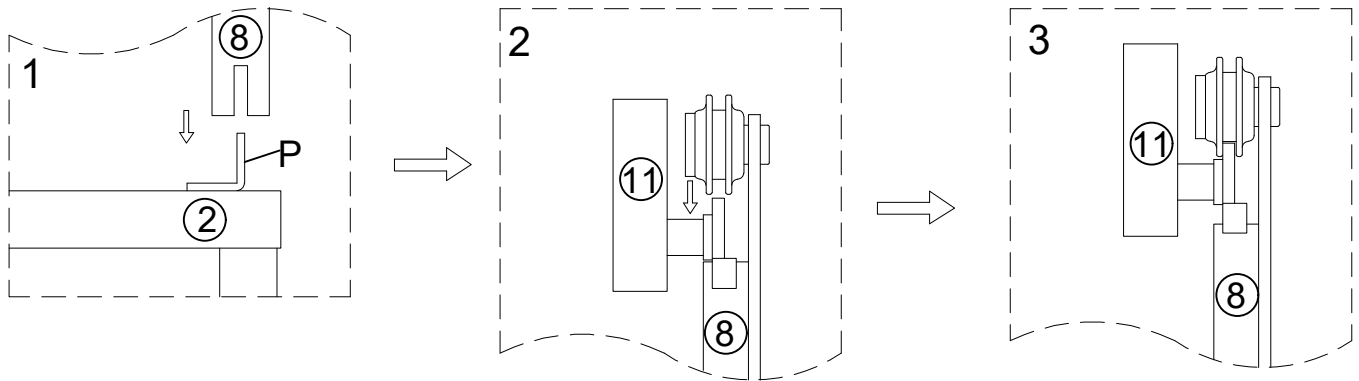
**S**  
**4 x**



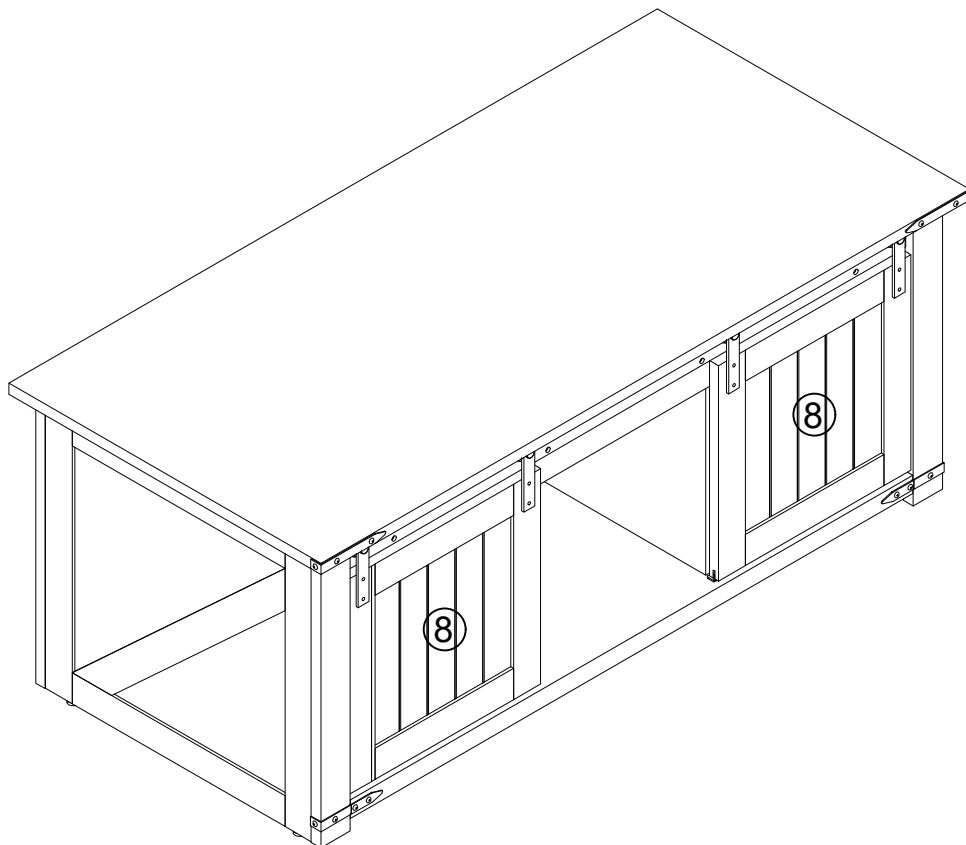
**T**  
**8 x**



How to install sliding door? Please refer to the below illustrations.



Part 2--Bottom frame Part 11--Door track Part 8--Sliding door Part P--Angle bracket



## Care and Maintenance

- Use a soft, clean cloth that will not scratch the surface when dusting.
- Use of furniture polish is not necessary. Should you choose to use polish, test first in an inconspicuous area.
- Using solvents of any kind on your furniture may damage the finish.
- Never use water to clean your furniture as it may cause damage to the finish.
- Always use coasters under beverage glasses and flowerpots.
- Liquid spills should be removed immediately. Using a soft, clean cloth, blot the spill gently. Avoid rubbing.
- Always use protective pads under hot dishes and plates. Heat can cause chemical changes that may create spotting within the furniture finish.
- Stains or marks from crayons or ink markers will be difficult to remove.
- In the event that your furniture is stained or otherwise damaged during use, we recommend that you call a professional to repair your furniture.
- Check bolts/screws and nuts periodically and tighten them if necessary.

## Caring for Wood Furniture

It is best to keep your furniture in a climate-controlled environment. Extreme temperature and humidity changes can cause fading, warping, shrinking and splitting of wood. It is advised to keep furniture away from direct sunlight as sun may damage the finish.

Proper care and cleaning at home will extend the life of your purchase. Following these important and helpful tips will enhance your furniture as it ages.