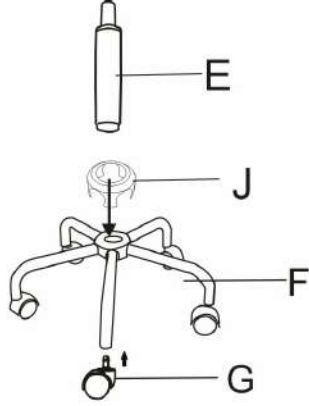
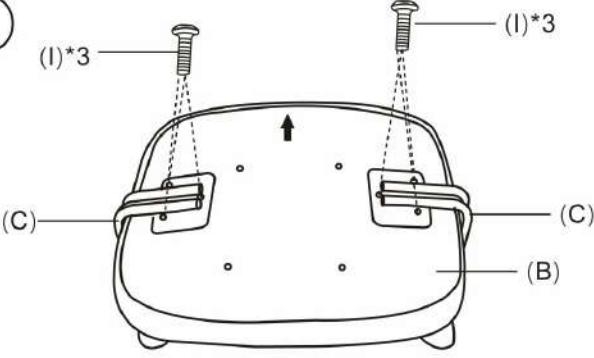
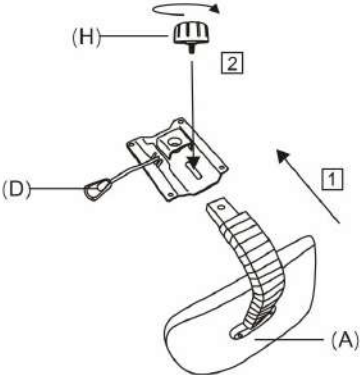
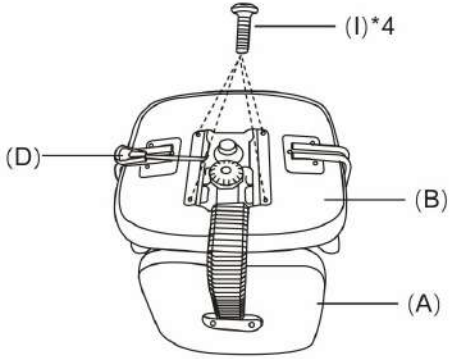
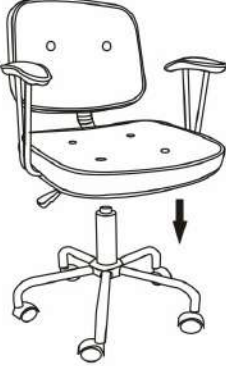

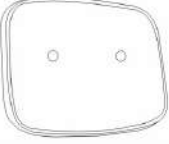

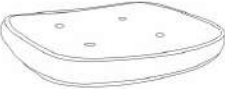


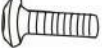






ASSEMBLY INSTRUCTION

▽ PARTSxQTY

▽ ASSEMBLY PROGRAM

| | |
|--|--|
| <p>①</p>  <p>E J F G</p> | <p>②</p>  <p>(I)*3 (I)*3 (C) (C) (B)</p> |
| <p>③</p>  <p>(H) 2 1 (D) (A)</p> | <p>④</p>  <p>(I)*4 (D) (B) (A)</p> |
| <p>⑤</p>  | <p>⑥</p>  |

| | |
|---|--|
| <p>Ax1</p>  | <p>Gx5</p>  |
| <p>Bx1</p>  | <p>Hx1</p>  |
| <p>Cx2(L)X®</p>  | <p>Ix10</p>  |
| <p>Dx1</p>  | <p>Jx1</p>  |
| <p>Ex1</p>  | <p>Kx1</p>  |