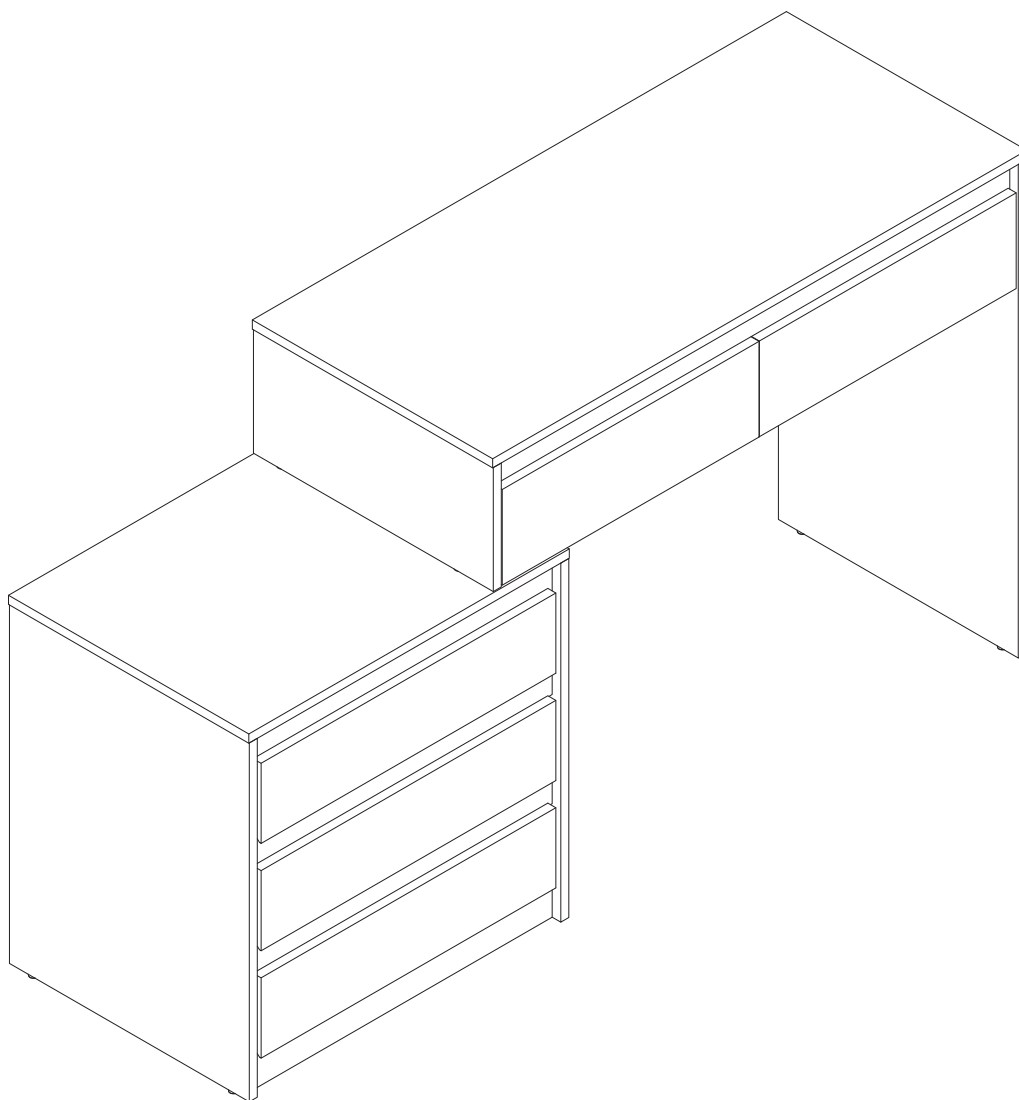


# ***Tribesigns***

DESIGNED FOR LIFE

## **Assembly Instructions**



**Computer Table**

Model No.  
**HOGA-F2253**



**LITTLE TREE**  
Little Tree by Tribesigns

[www.tribesigns.com](http://www.tribesigns.com)



# Contact Us

## We're here to help you.




Your satisfaction is our top priority. If you encounter any issues with this product, such as missing or damaged parts, we're here to help. Please retain the original packaging and take photos of the packaging and the product, then contact us as soon as possible.

### Warm Tips

1. Carefully read these instructions and keep them for future reference.
2. Check the parts list and confirm everything's there before starting assembly.
3. When assembling, put all parts on a soft, smooth surface like a carpet to avoid scratches.
4. Don't fully tighten screws until all parts are confirmed in place to avoid misalignment.

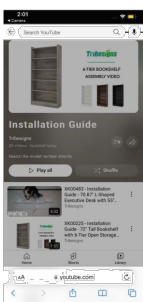
### How to Get the Assembly Video

**Step 1** Scan the QR code.



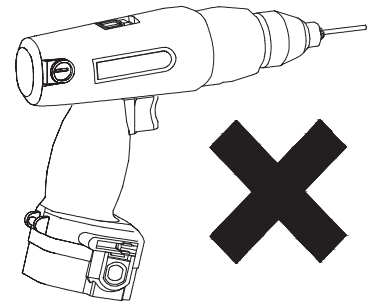
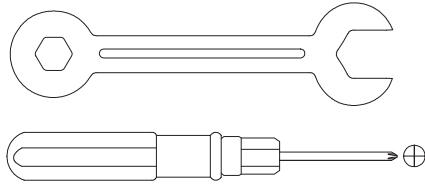
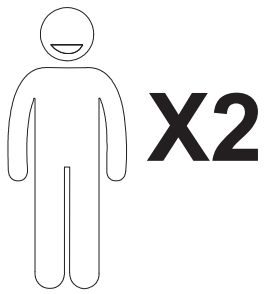
Installation Video

**Step 2** Search with the Model No. (on the bottom left corner of the title page)



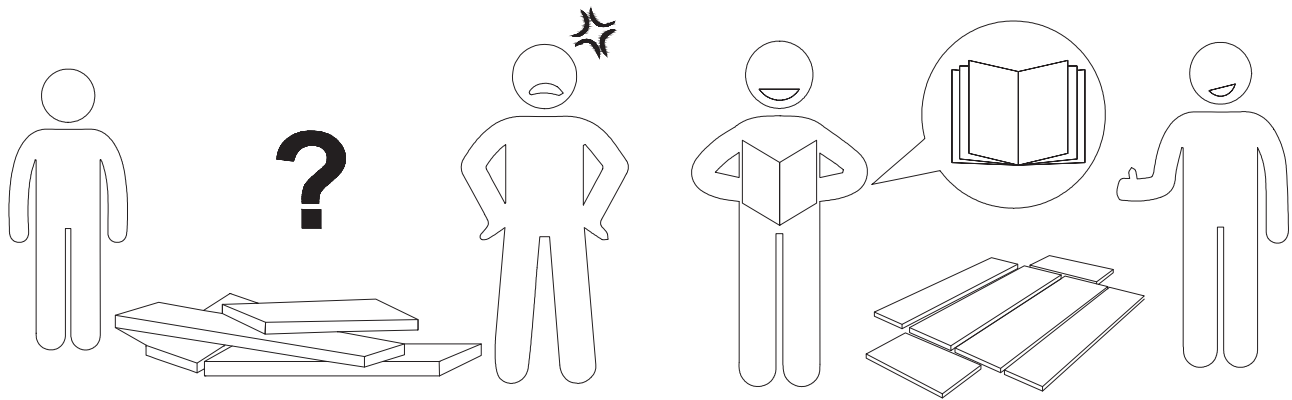
HOGA-F2253

Note: If you can't find the assembly video, please contact us.



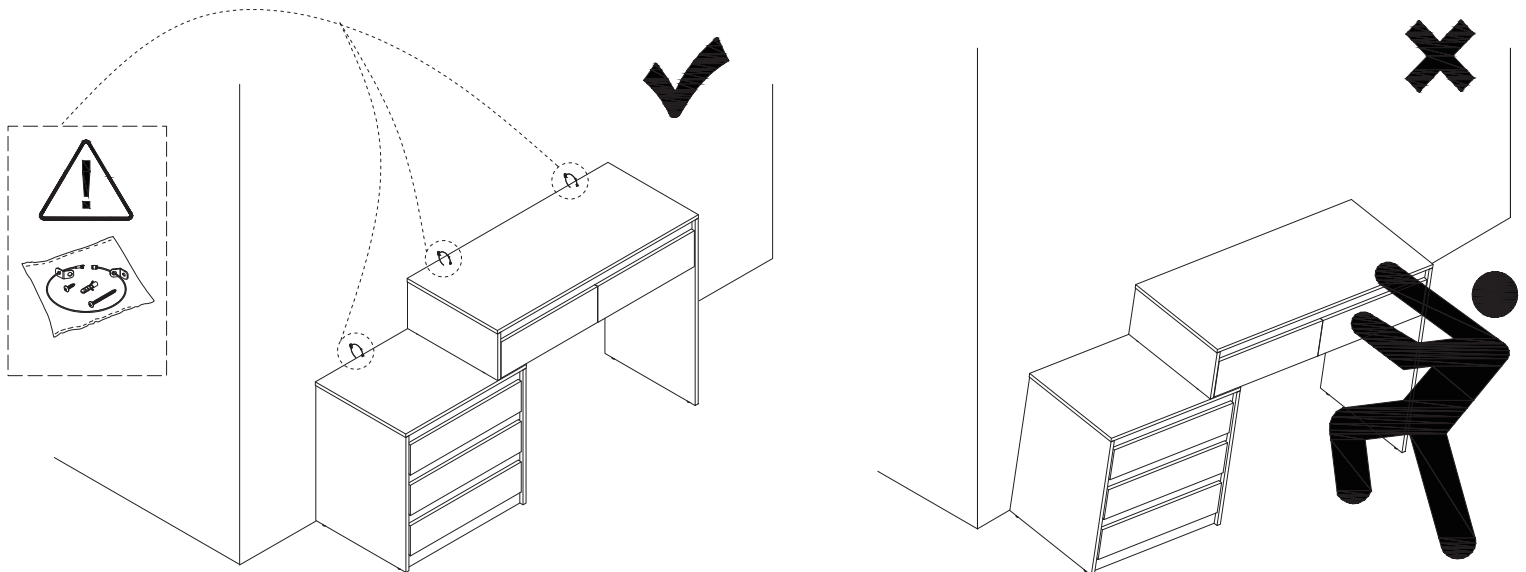
We recommend using hand tools for assembly.

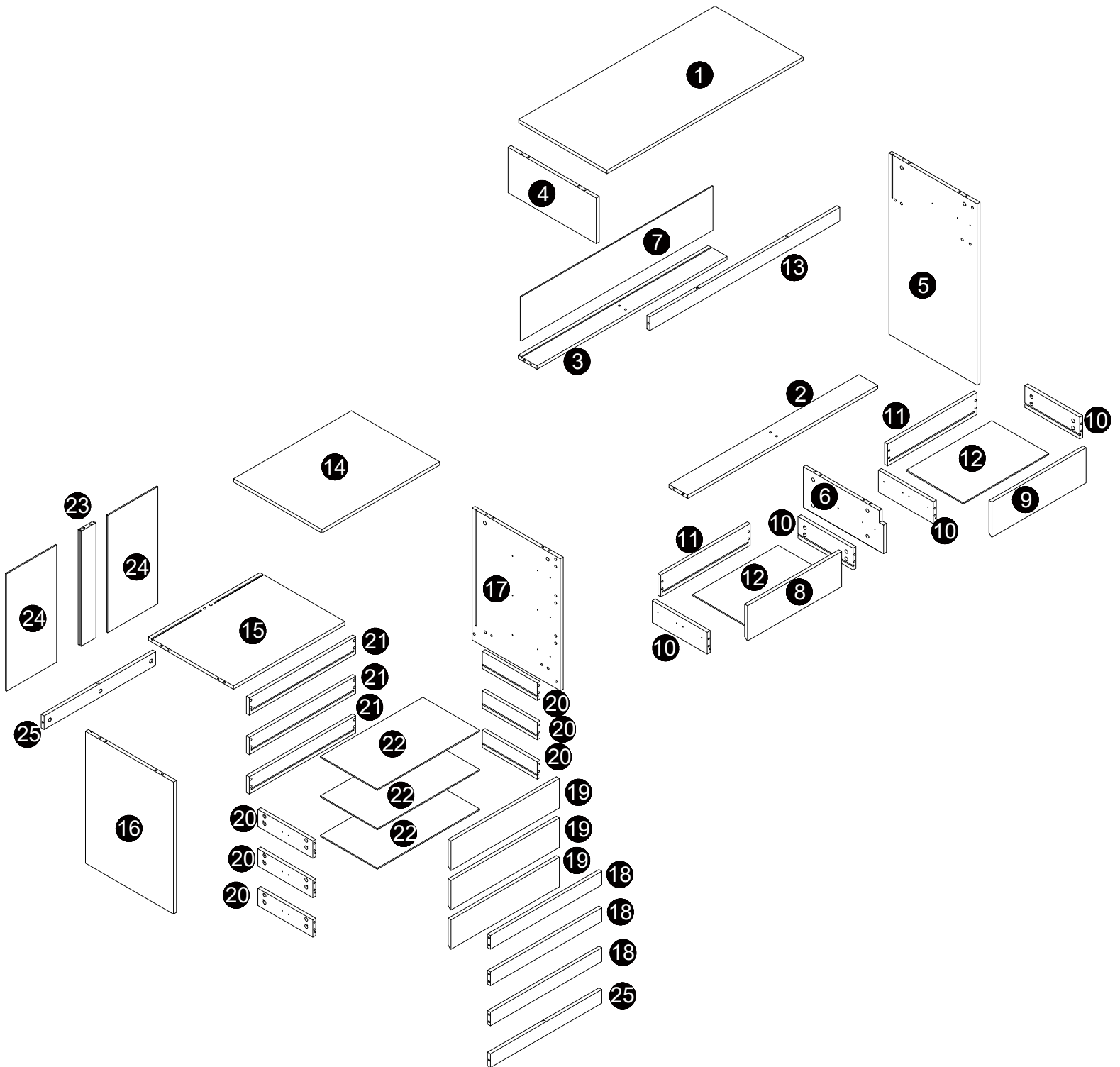
If an electric screwdriver is used, reduce power and torque to avoid damage to the product.



### Install the Anti-Tip Straps

Using the anti-tip straps can reduce the risk of tipping over, but can not eliminate it.



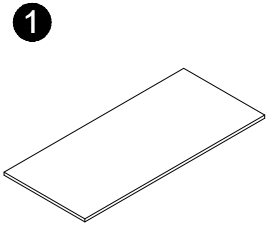
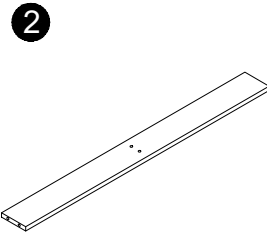
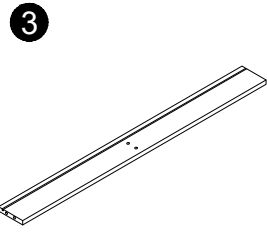
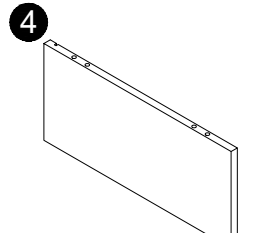
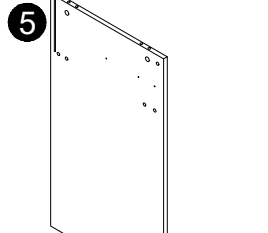
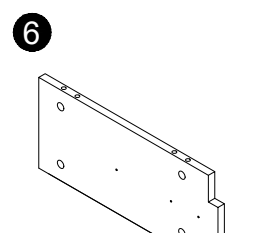
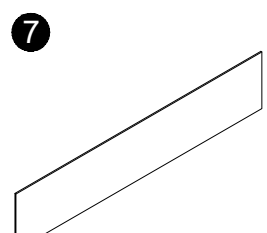
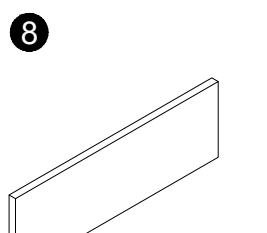
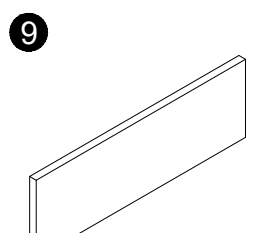
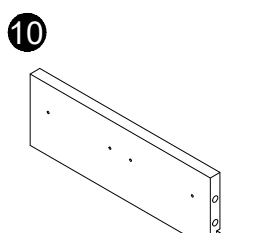
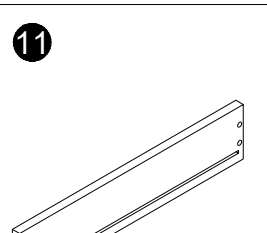
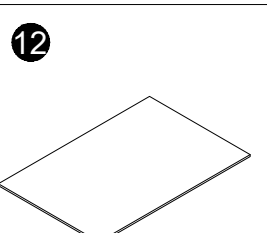
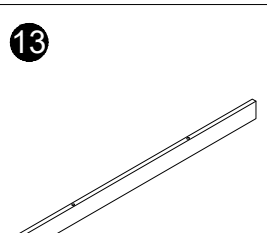
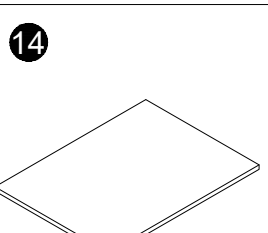
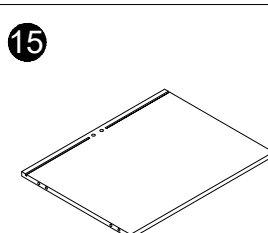
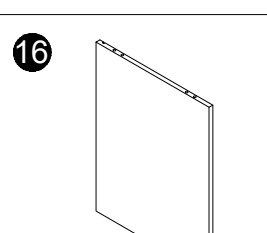
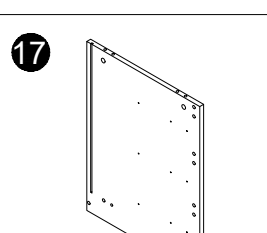
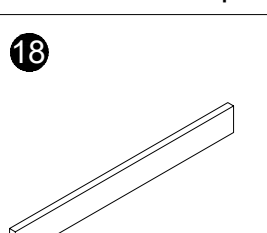
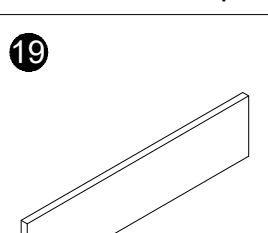
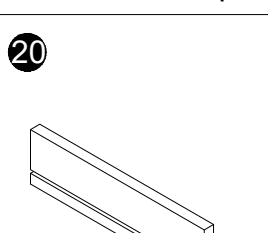
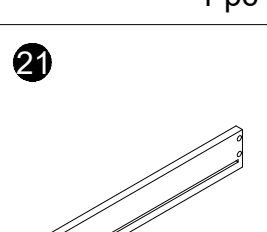

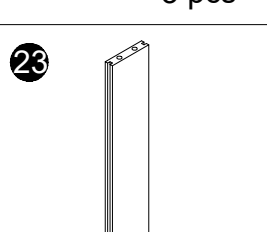
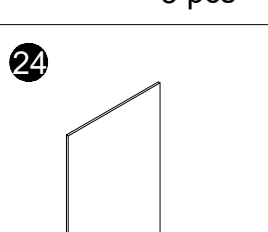
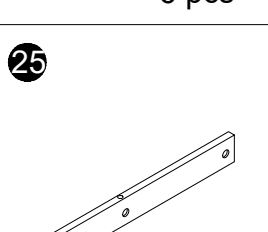


**⚠ Caution**

Make sure all parts are included. Most board parts are labeled or stamped on the raw edge. Contact us for a free replacement if you encounter any damaged or missing parts.

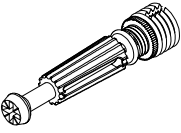
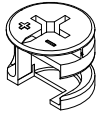
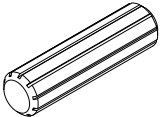
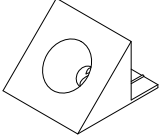
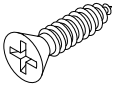
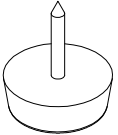


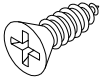
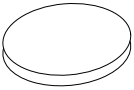
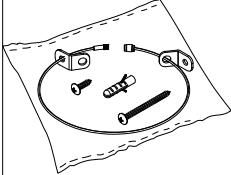
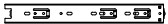
# Parts List

 1 pc	 1 pc	 1 pc	 1 pc	 1 pc
 1 pc	 1 pc	 1 pc	 1 pc	 4 pcs
 2 pcs	 2 pcs	 1 pc	 1 pc	 1 pc
 1 pc	 1 pc	 3 pcs	 3 pcs	 6 pcs
 3 pcs	 3 pcs	 1 pc	 2 pcs	 2 pcs



## Hardware List

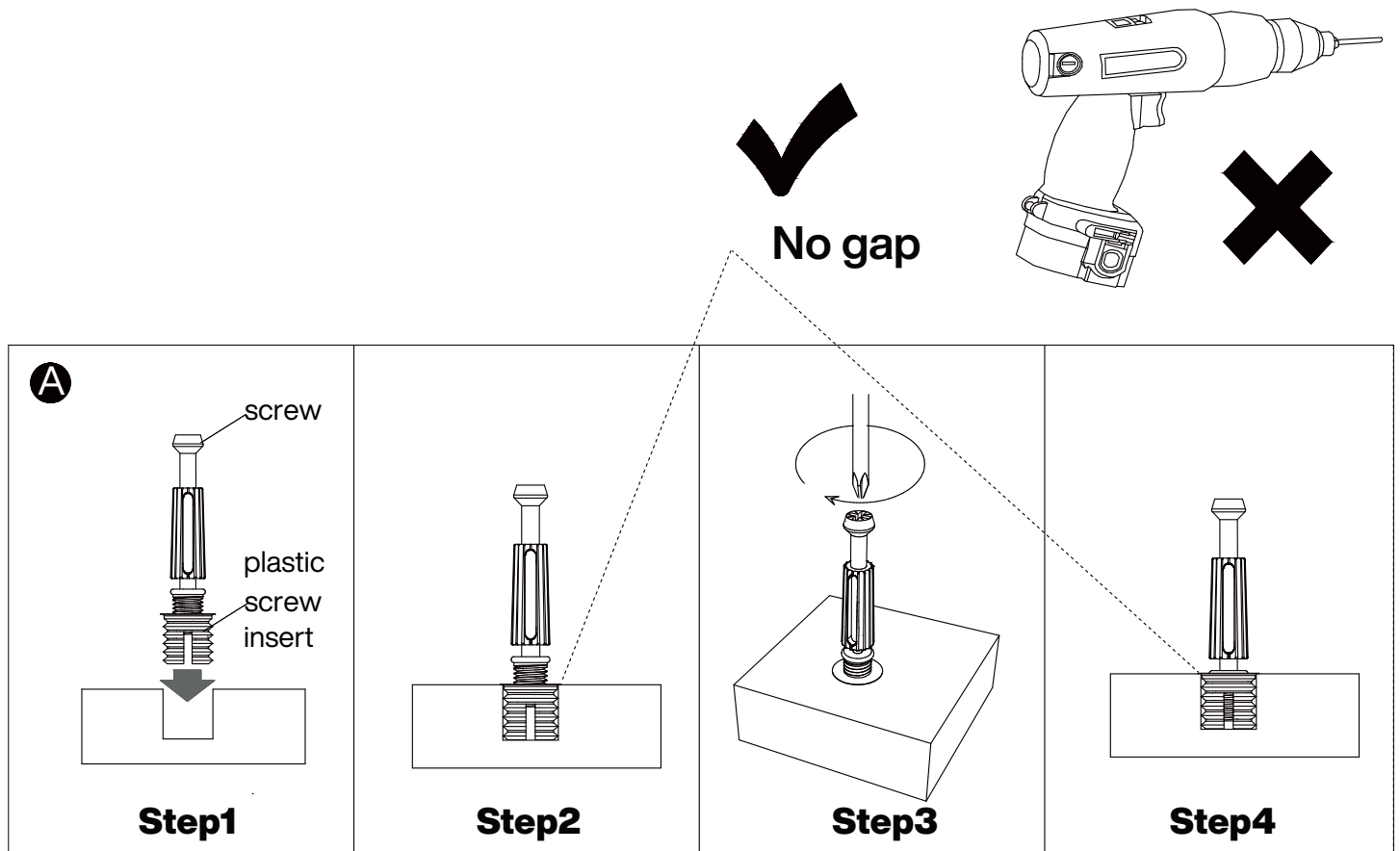
A	B	C	D	E	F
					
M6x40mm	Ø15x12mm	Ø8x30mm	17x16x10.5mm	Ø3x18mm	Ø14x4mm
<b>91 pcs</b>	<b>91 pcs</b>	<b>17 pcs</b>	<b>17 pcs</b>	<b>17 pcs</b>	<b>7 pcs</b>

G	H	I	J		
					
Ø3.5x14mm	Ø14x2.2mm		290x35mm		
<b>61 pcs</b>	<b>2 pcs</b>	<b>3 pcs</b>	<b>10 pcs</b>		

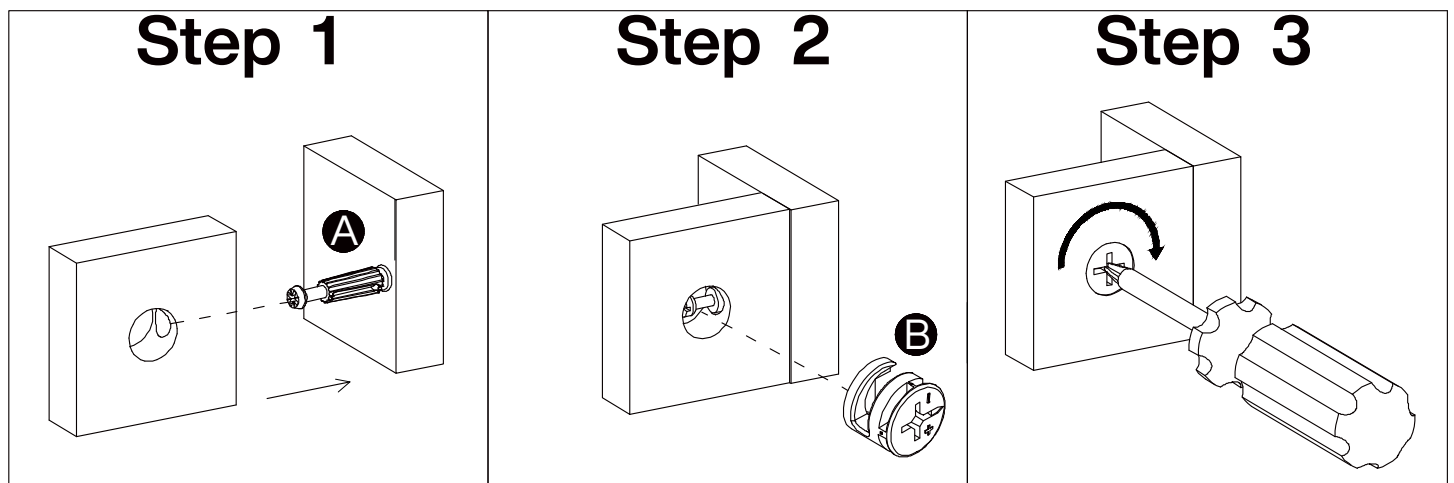


## Installation of Cams and Pins

Step 1-2: Align the plastic part with the mounting hole and press it in. If you can't press it in, loosen the screw counter clockwise or completely remove the screw from the plastic part and try again.  
Step 3-4: After pressing the plastic part into place, use a screwdriver to tighten the screw clockwise.



Screw the pin into the hole. Set the cams correctly by aligning the head of the cams with the lock pins. Lock the cam by turning the cam head with a screwdriver until it is tightened. Please do not use an electric screwdriver to assemble the unit.

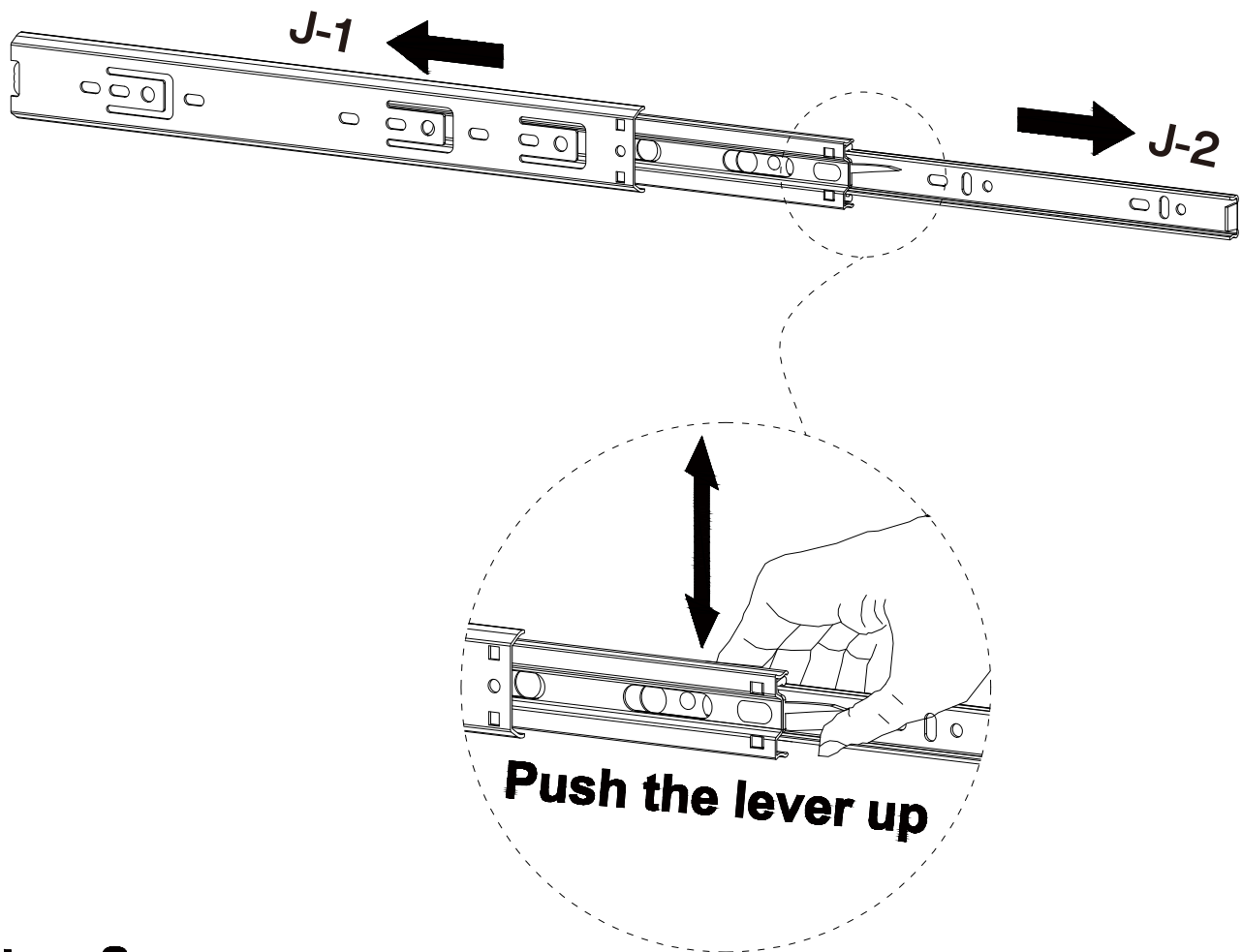




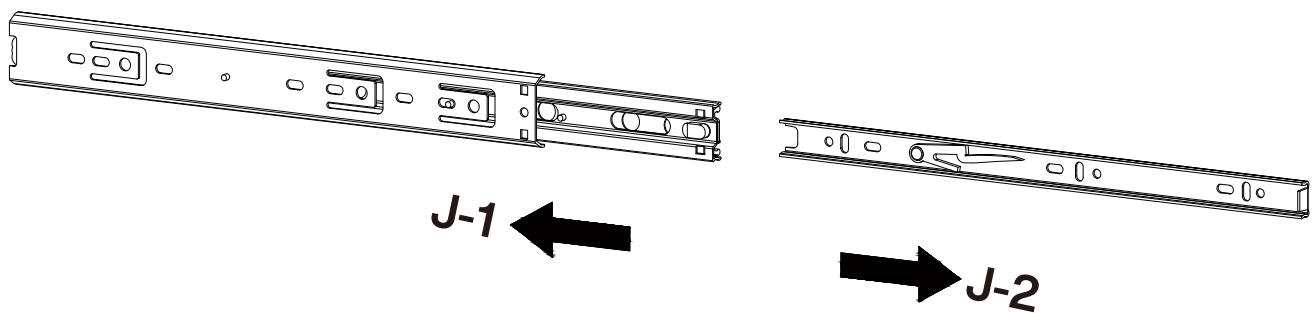
Please split component "J" into "J-1" and "J-2" before assembling the slide and then proceed to the next step of assembly

### Step 1

Pull apart component "J" to each side, and then gently push up the lever of component "J-2"

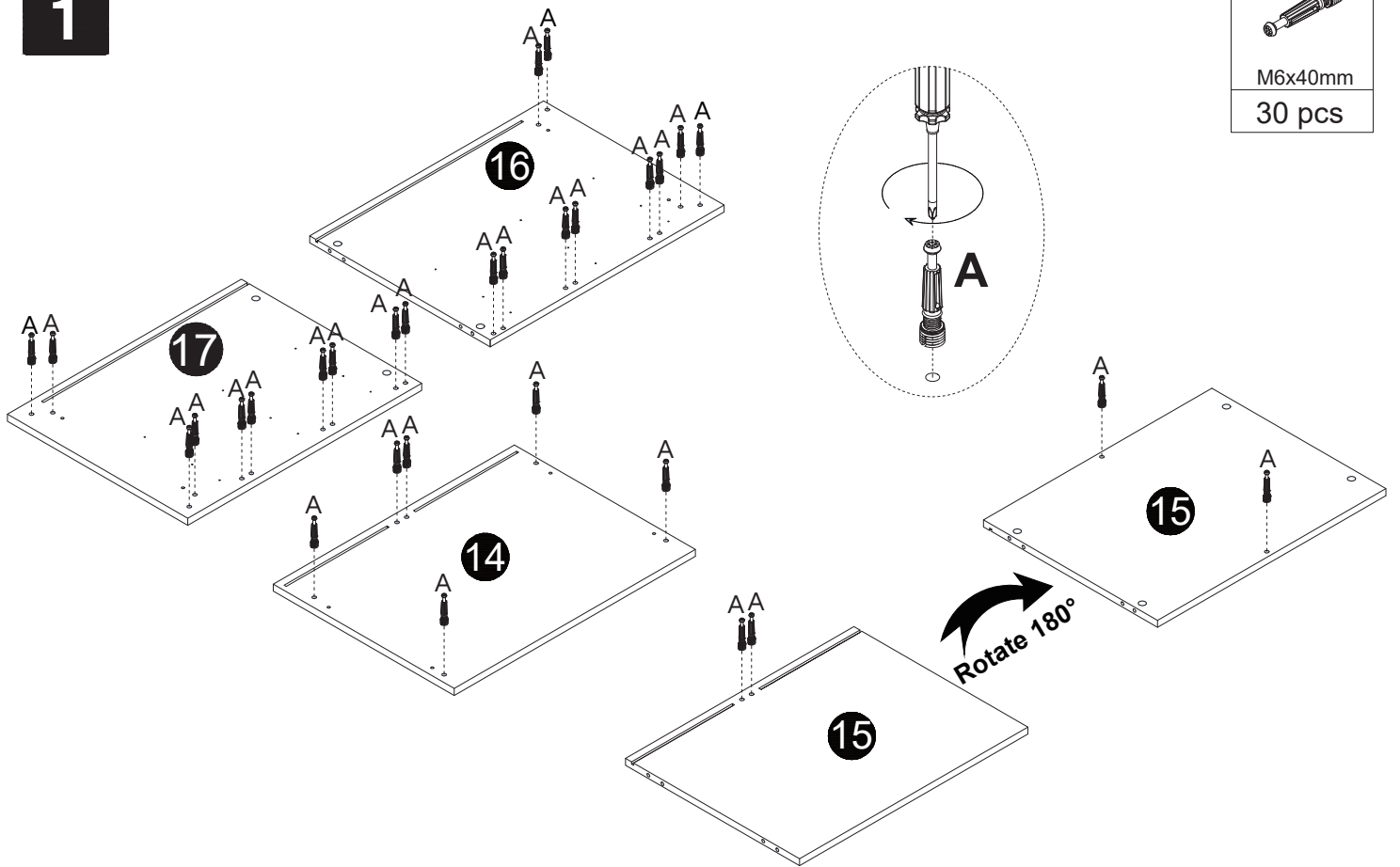



### Step 2 Split component "J-1" and "J-2"



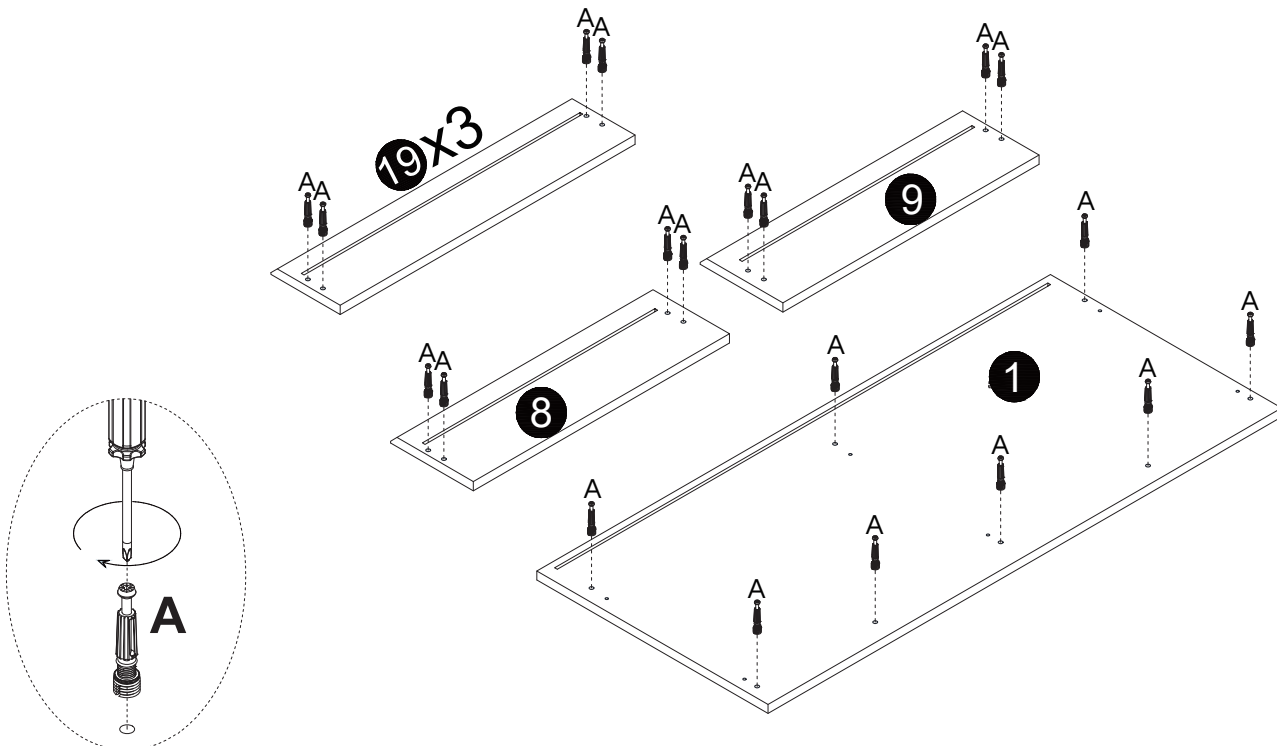



1



<b>A</b>

M6x40mm
30 pcs

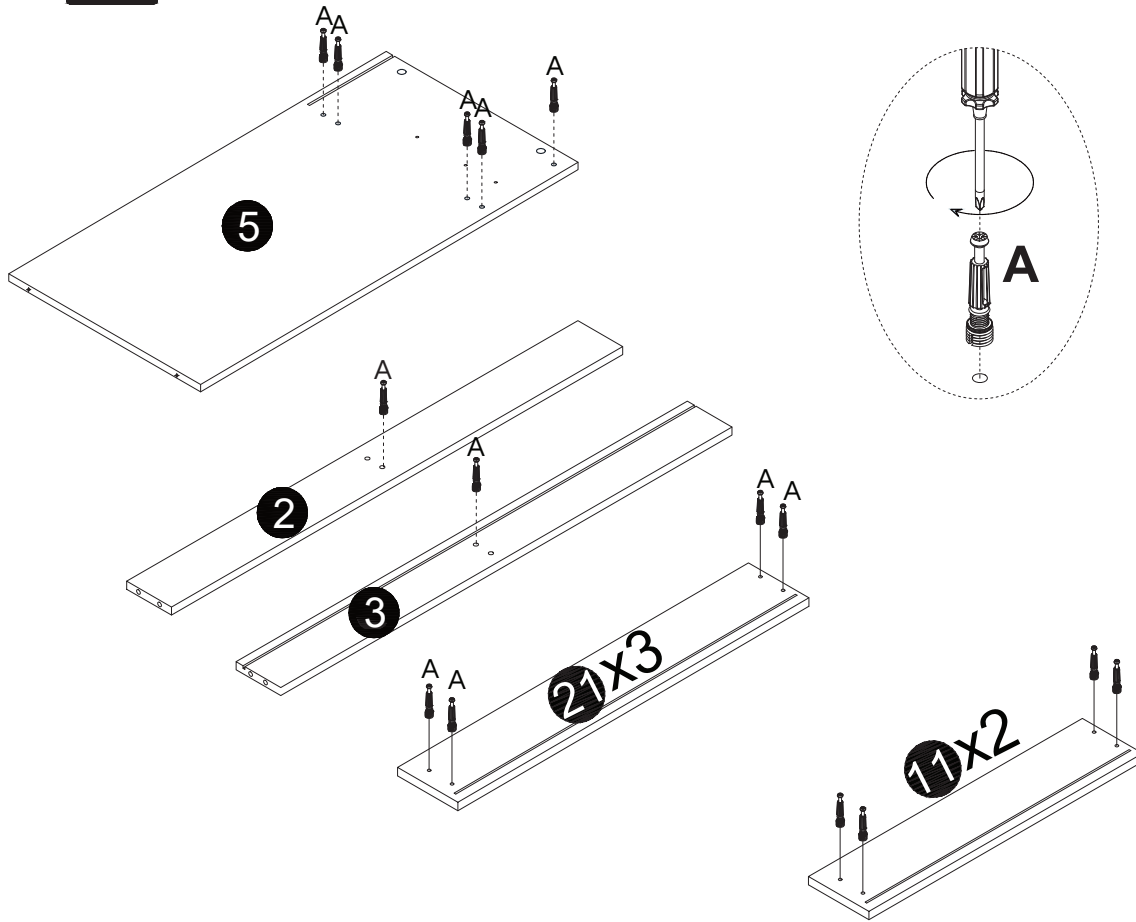
2



<b>A</b>

M6x40mm
28 pcs



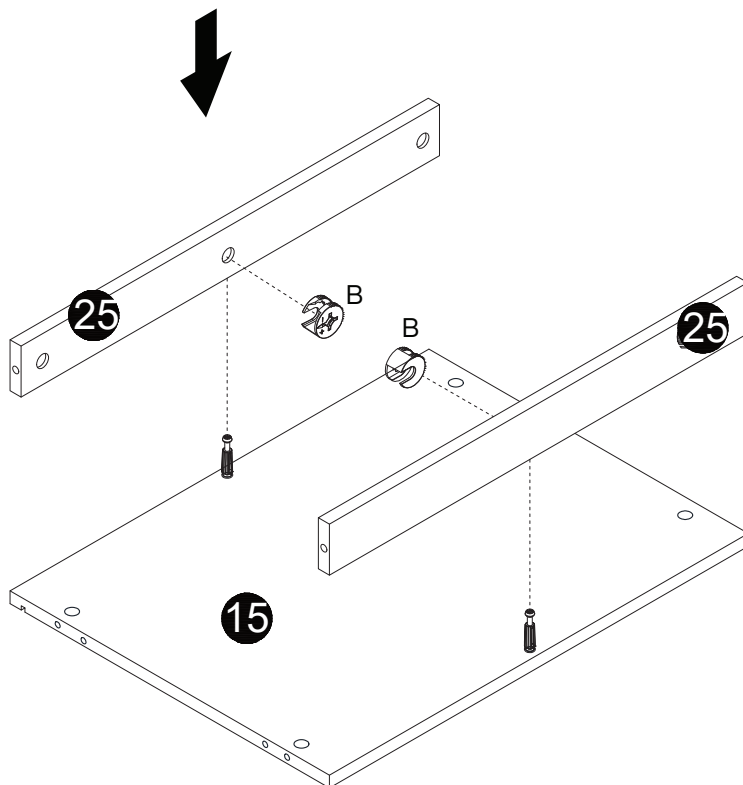
3




<b>A</b>

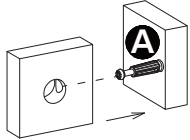
M6x40mm
32pcs

4

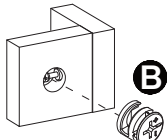


<b>B</b>

Ø15x12mm
2 pcs

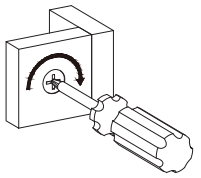
**Step 1**



**Step 2**

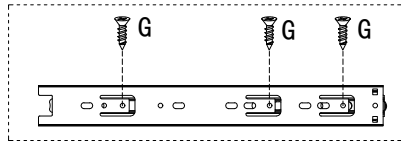


**Step 3**



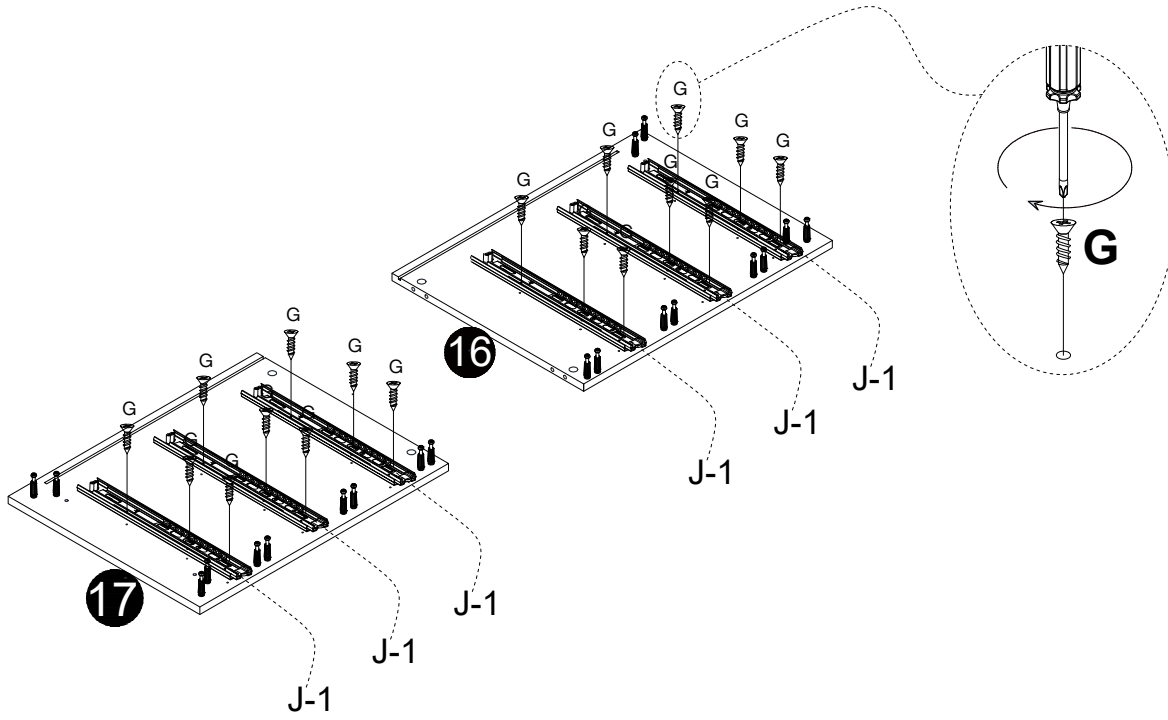


5

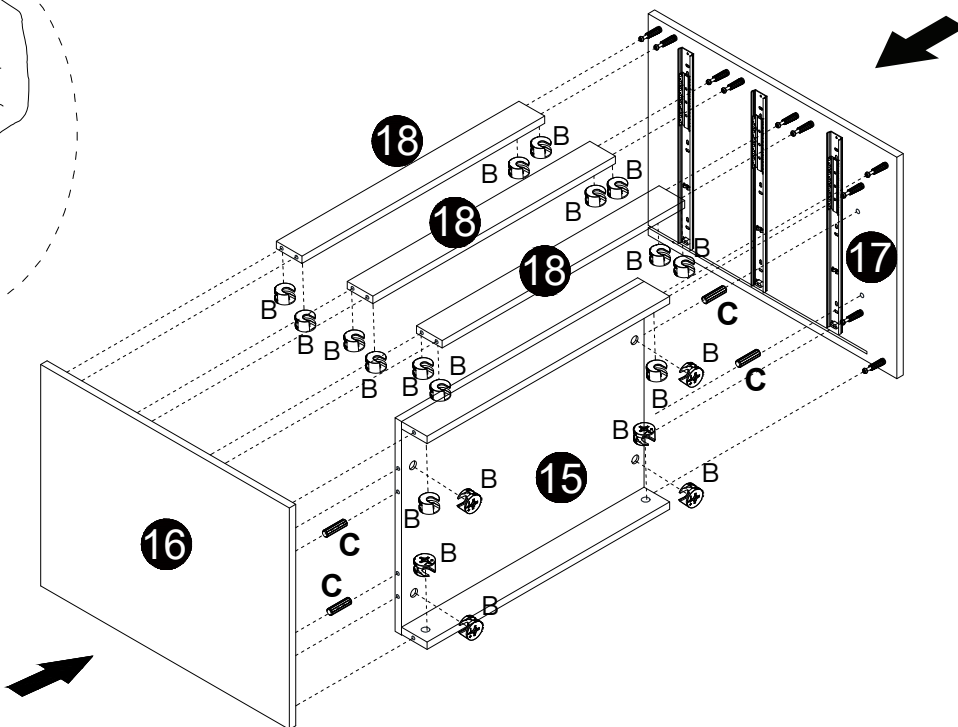
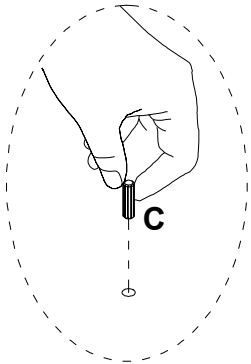


J-1

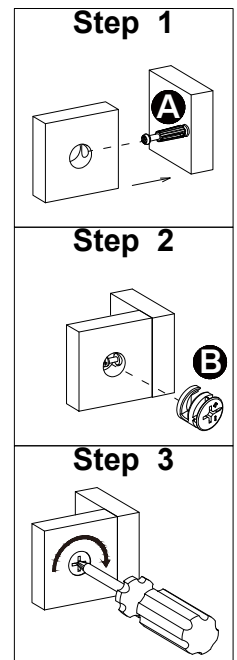
J	G
290x35mm	Ø3.5x14mm
6 pcs	18 pcs



6

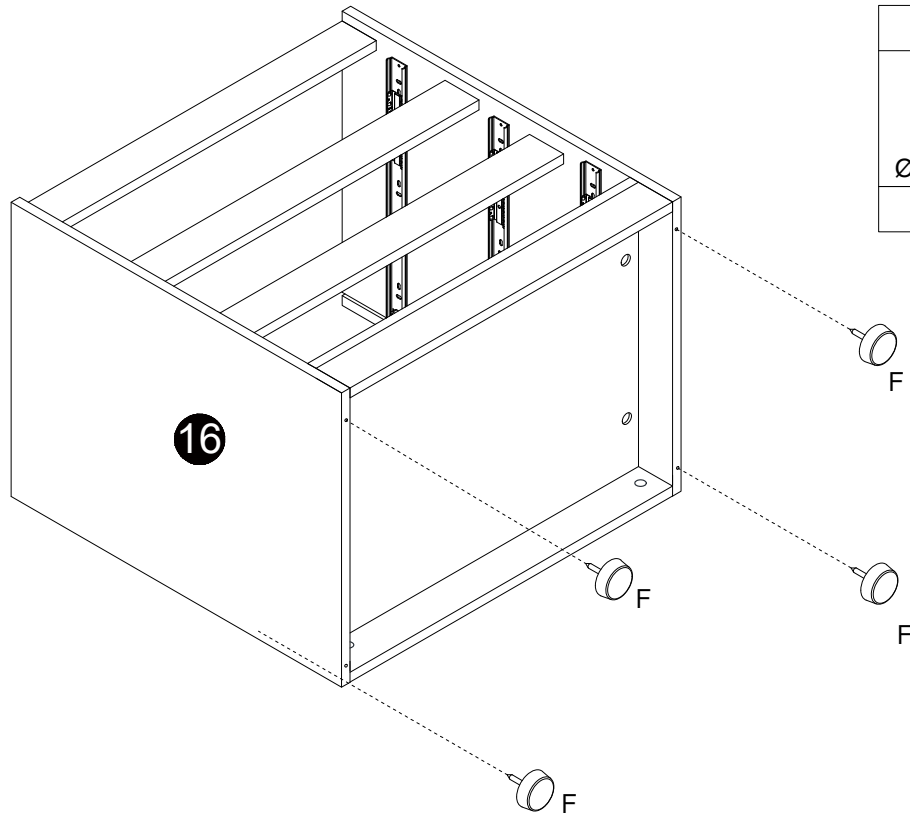
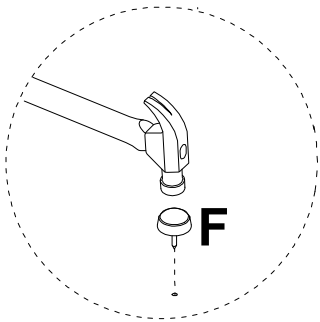


B	C
Ø15x12mm	Ø8x30mm
20 pcs	4 pcs





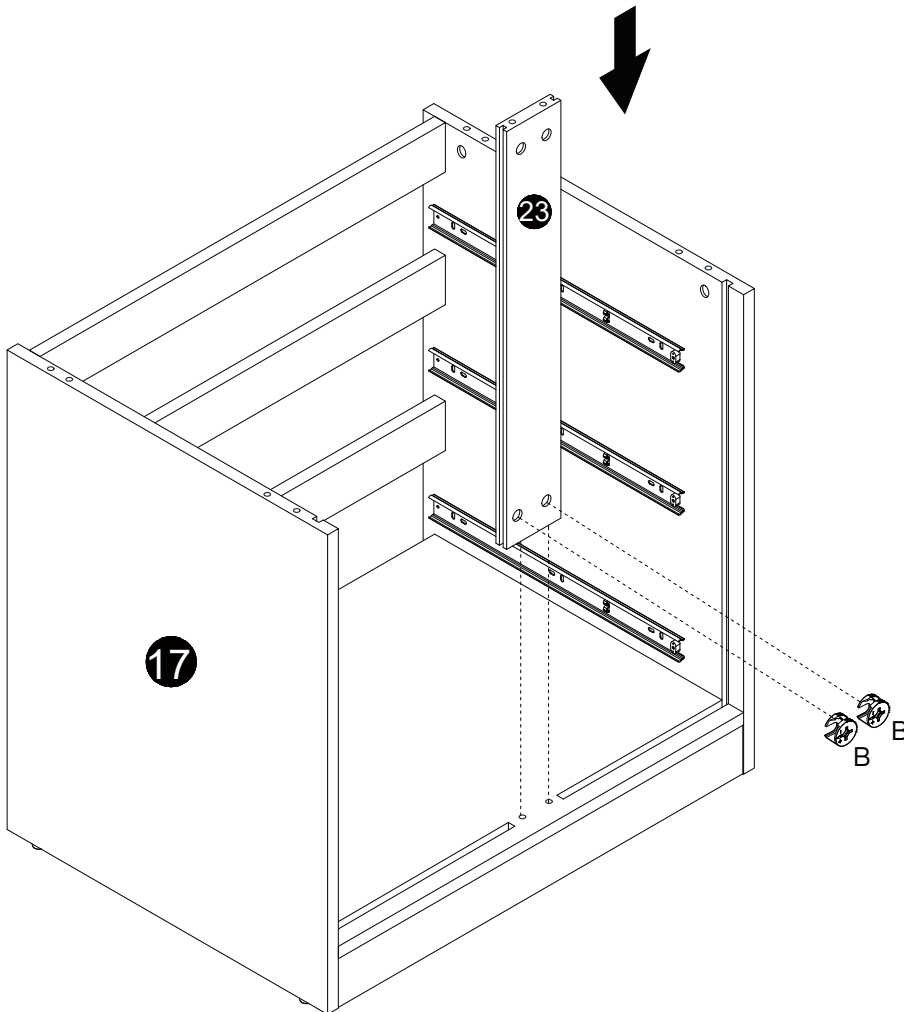
7



<b>F</b>
Ø14x4mm
4 pcs

**⚠ Caution! Tap lightly**

8



<b>B</b>
Ø15x12mm
2 pcs

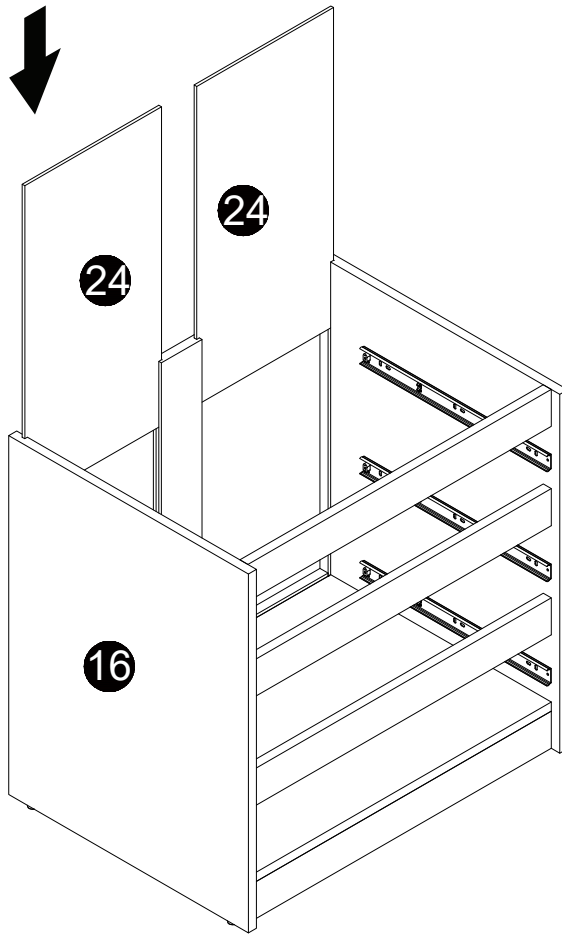
**Step 1**

**Step 2**

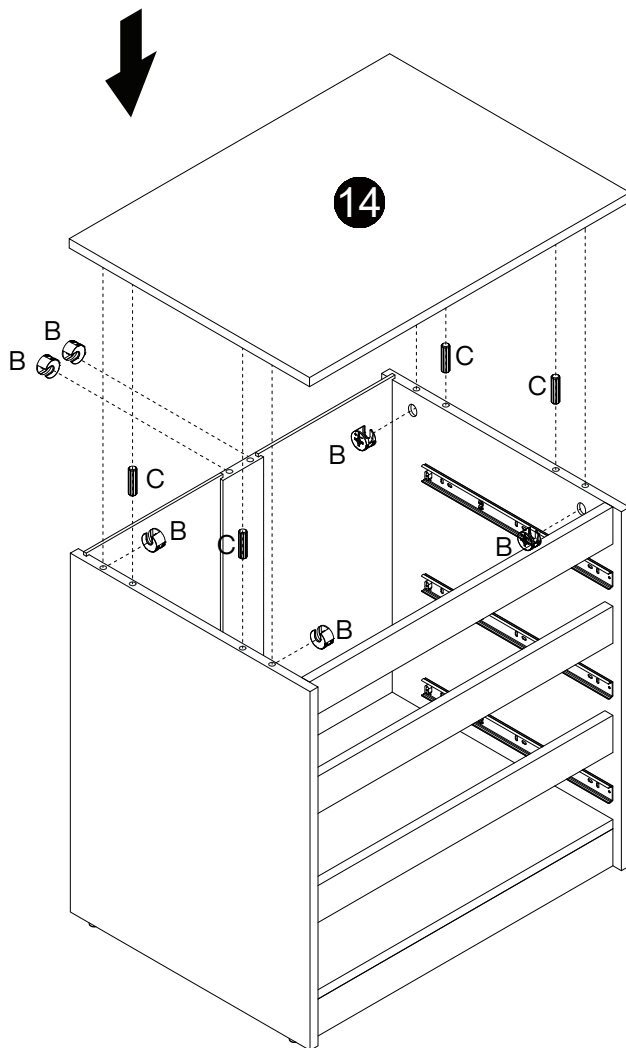
**Step 3**

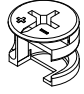
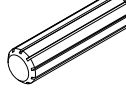


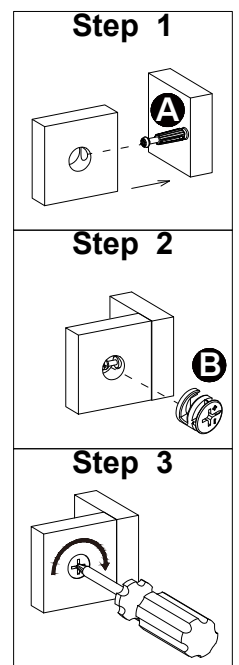
9



10

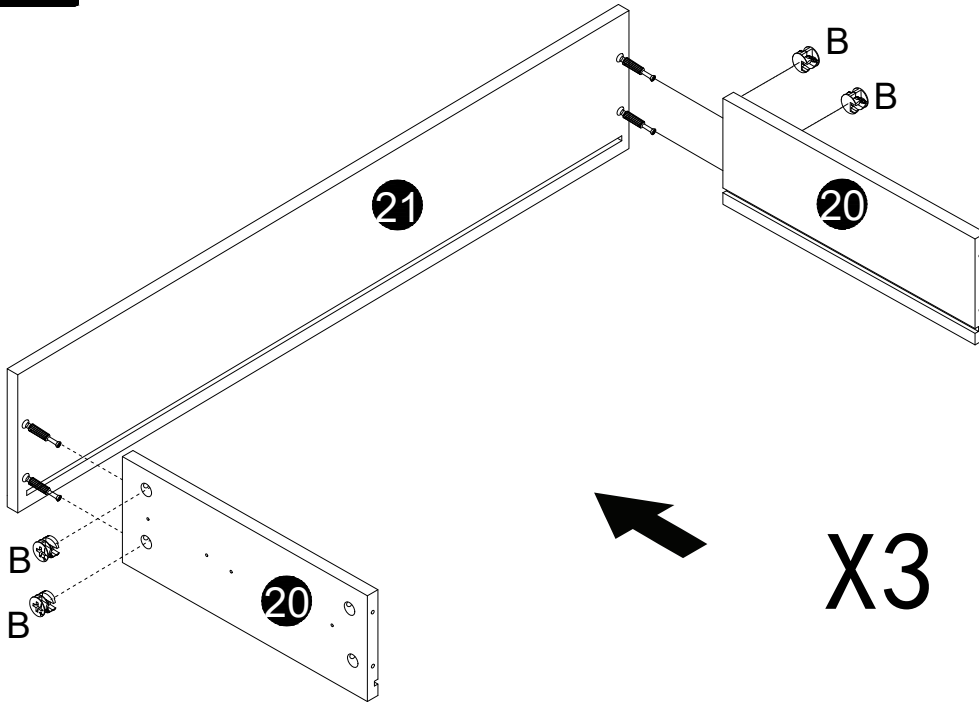


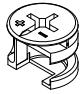
B	C
	
Ø15x12mm	Ø8x30mm
6 pcs	4 pcs



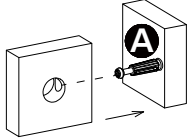


11

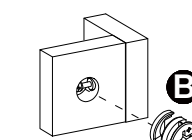


<b>B</b>

Ø15x12mm
12 pcs

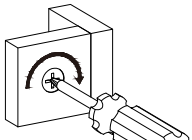
**Step 1**



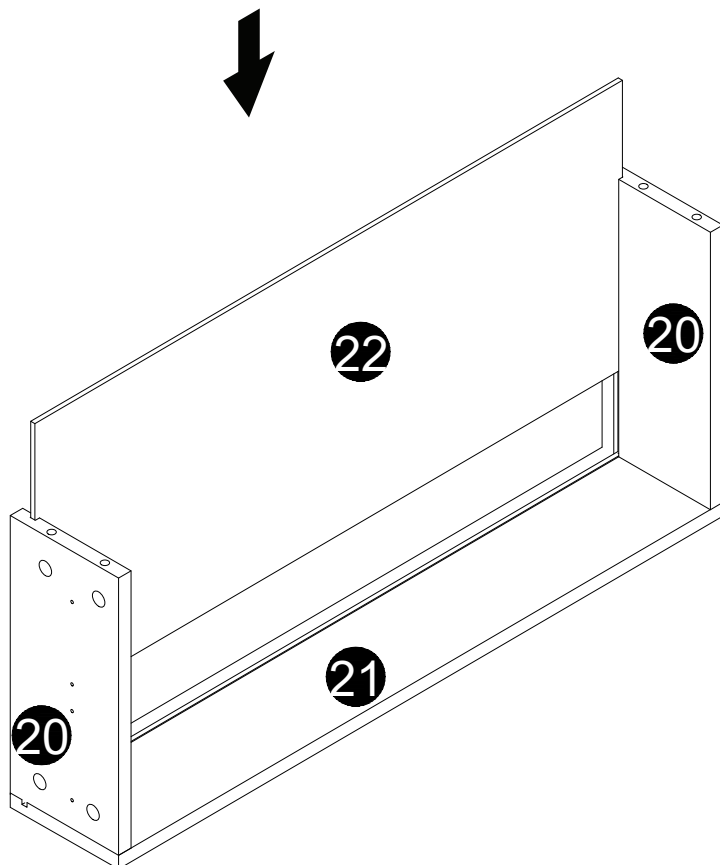
**Step 2**



**Step 3**



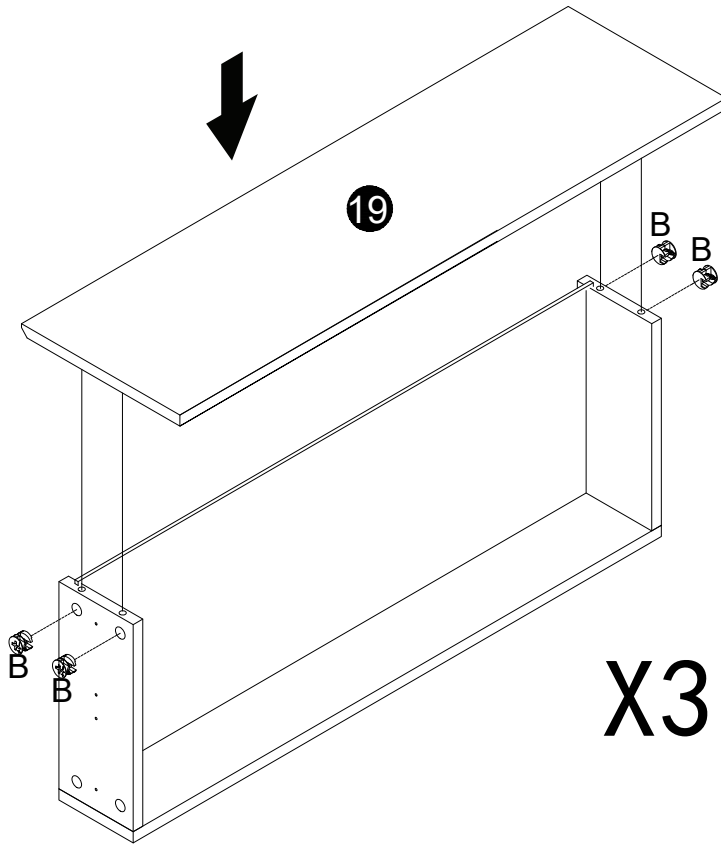
12




X3

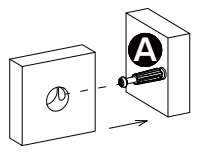


13

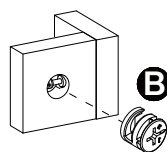


<b>B</b>

Ø15x12mm
12 pcs

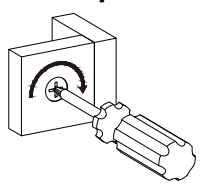
**Step 1**



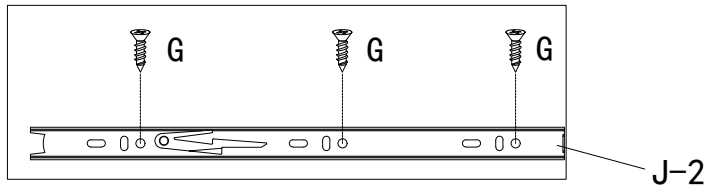
**Step 2**


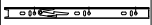


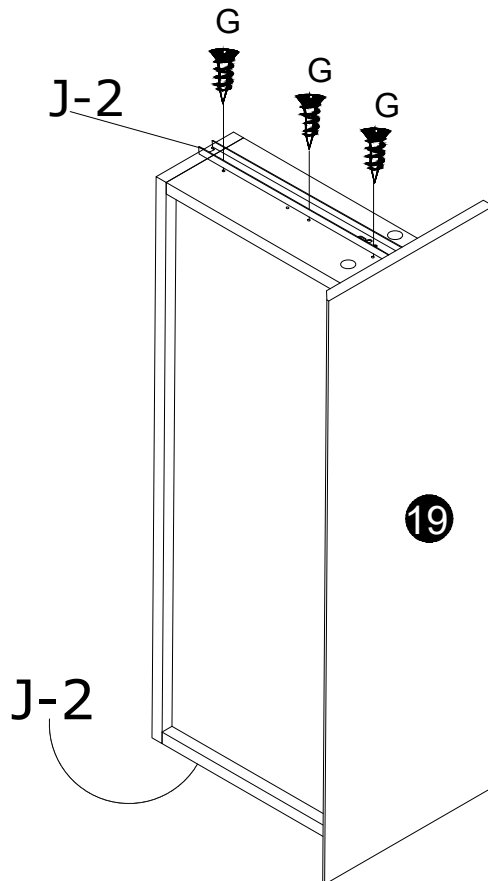
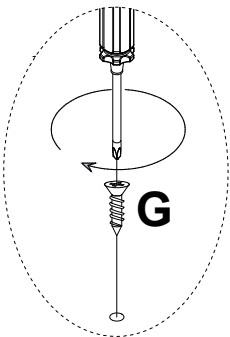
**Step 3**



14



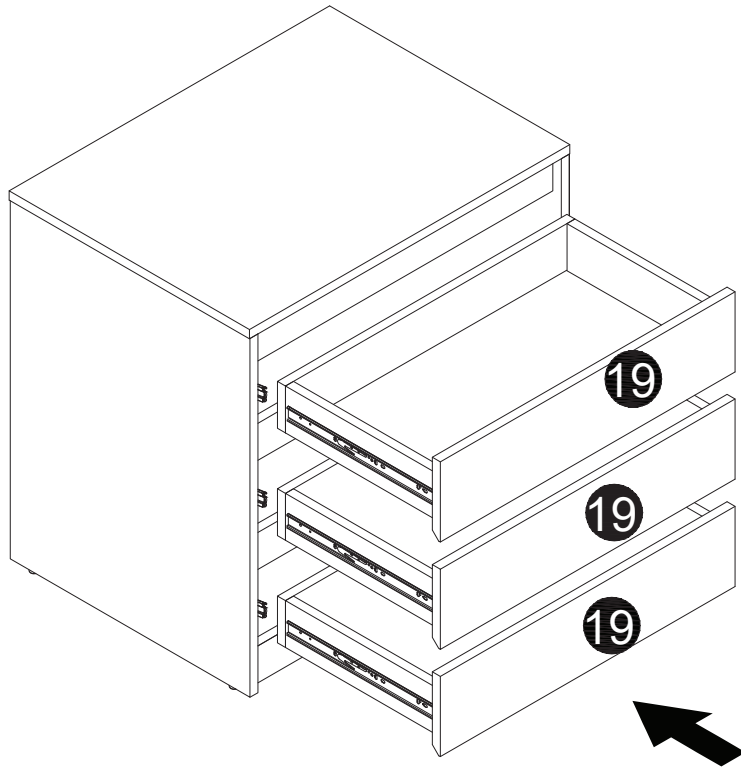
<b>G</b>	<b>J</b>
	
Ø3.5x14mm	290x35mm
18 pcs	6 pcs



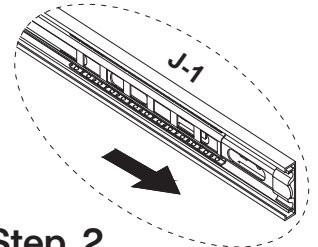
X3



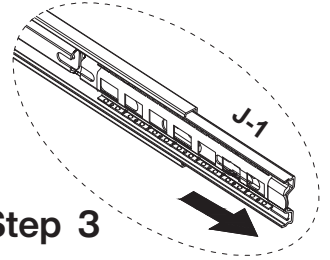
15



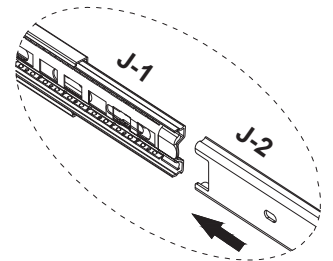
Step 1



Step 2

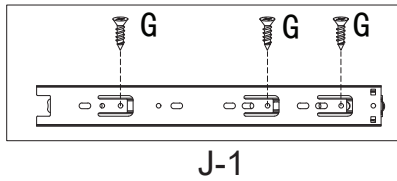


Step 3



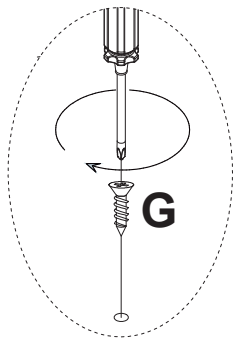
Before installation, slide the inner iron pieces of #J-1 to the outermost side. Then align it with #J-2 and gently push it inward to complete the slide installation.

16

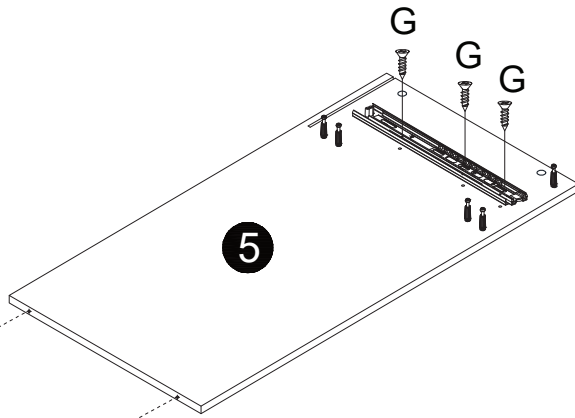


J-1

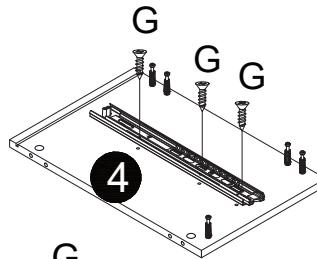
J	G
290x35mm	Ø3.5x14mm
4 pcs	12 pcs
	F
	Ø14x4mm
	2 pcs



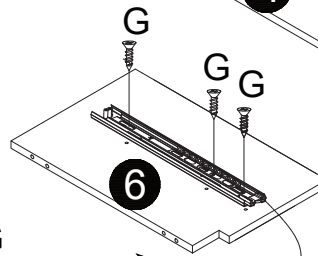
F



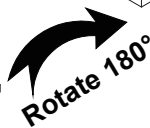
5



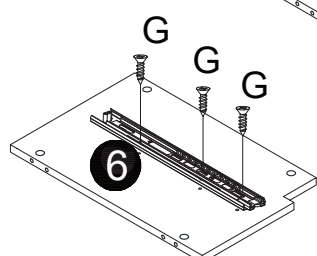
4



6

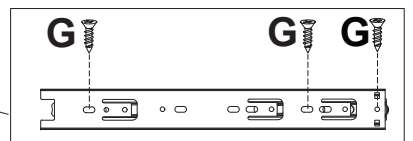


Rotate 180°



6

J-1

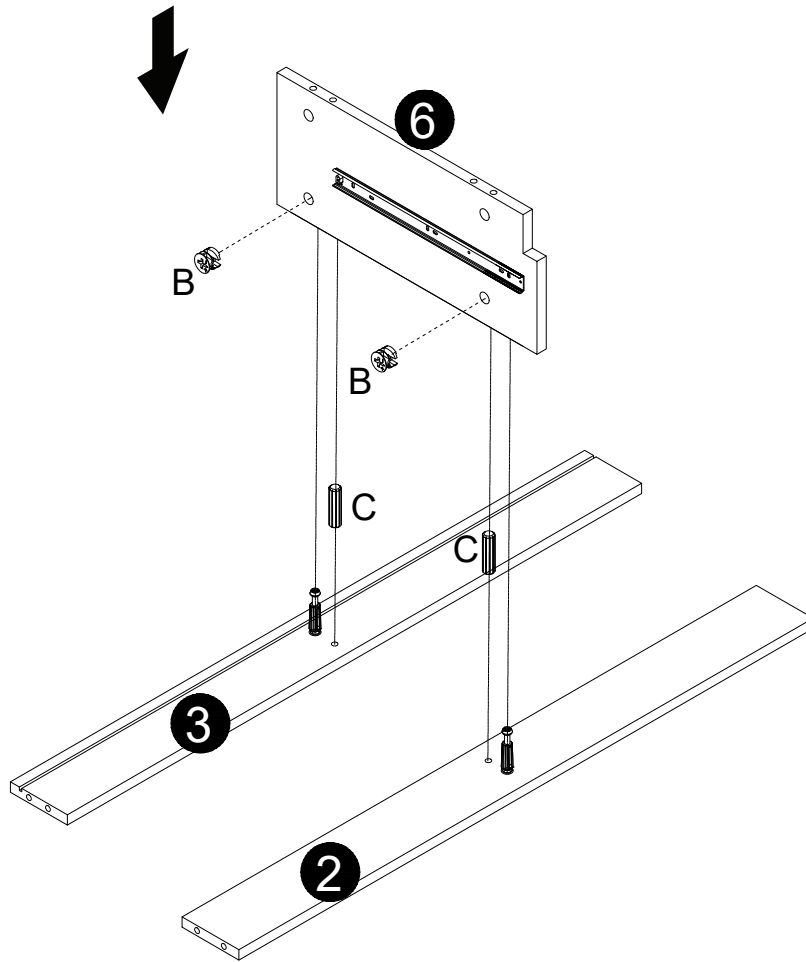
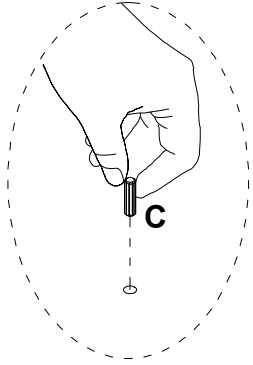


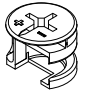
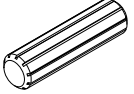
J-1

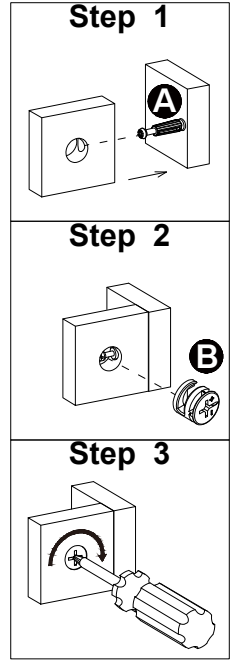
⚠ Caution! Tap lightly



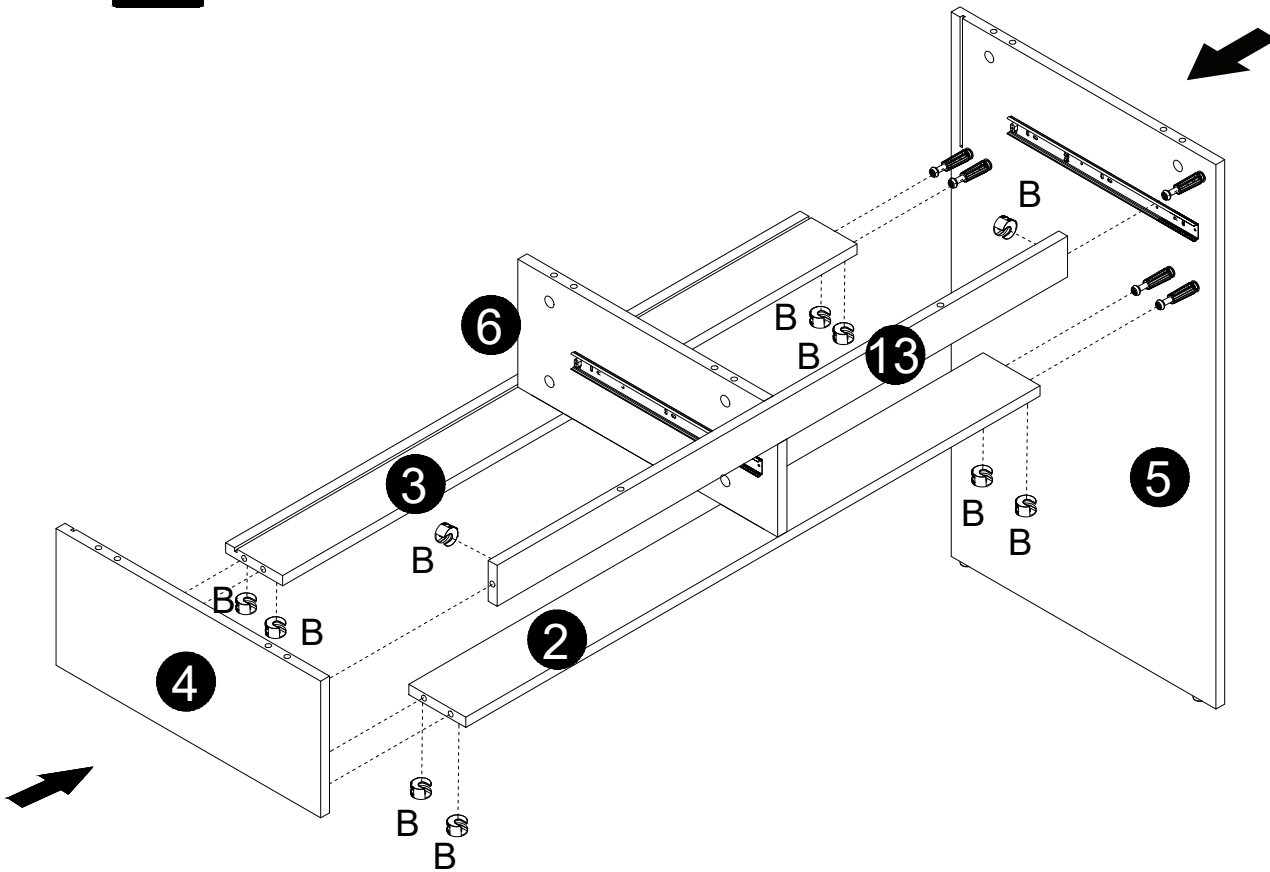
**17**

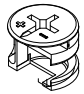


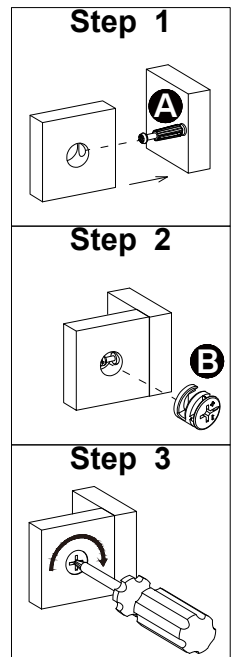
B	C
	
Ø15x12mm	Ø8x30mm
2 pcs	2 pcs



**18**

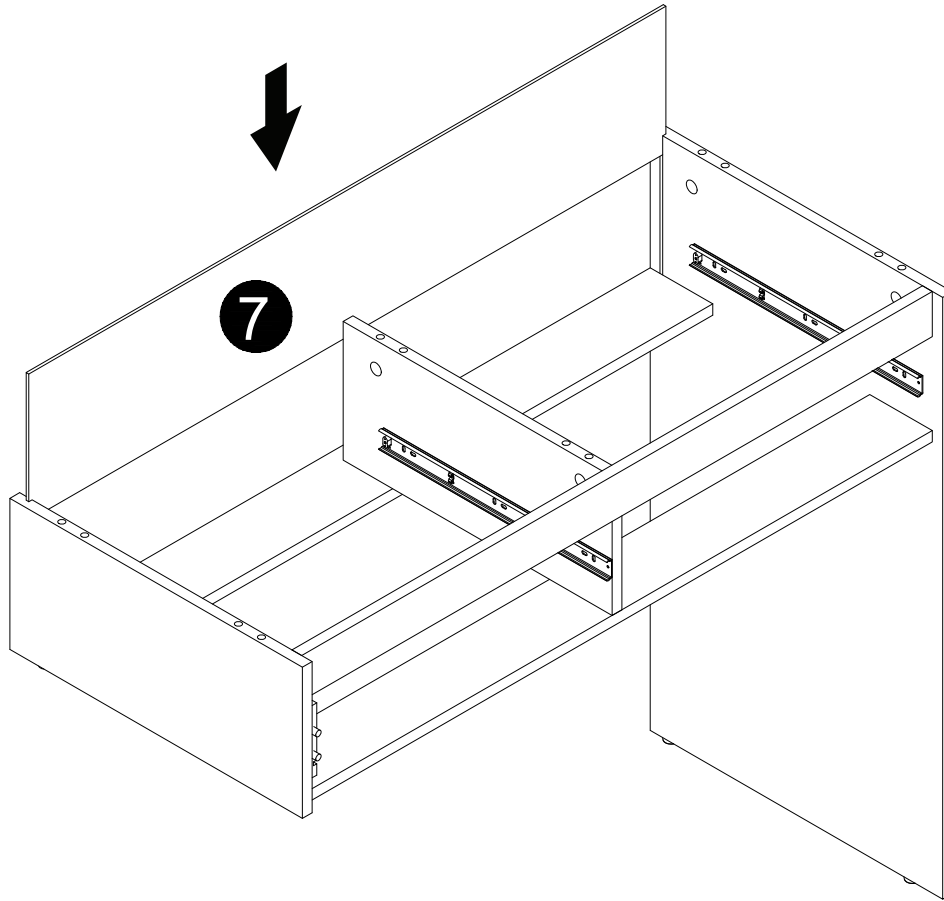


B

Ø15x12mm
10 pcs

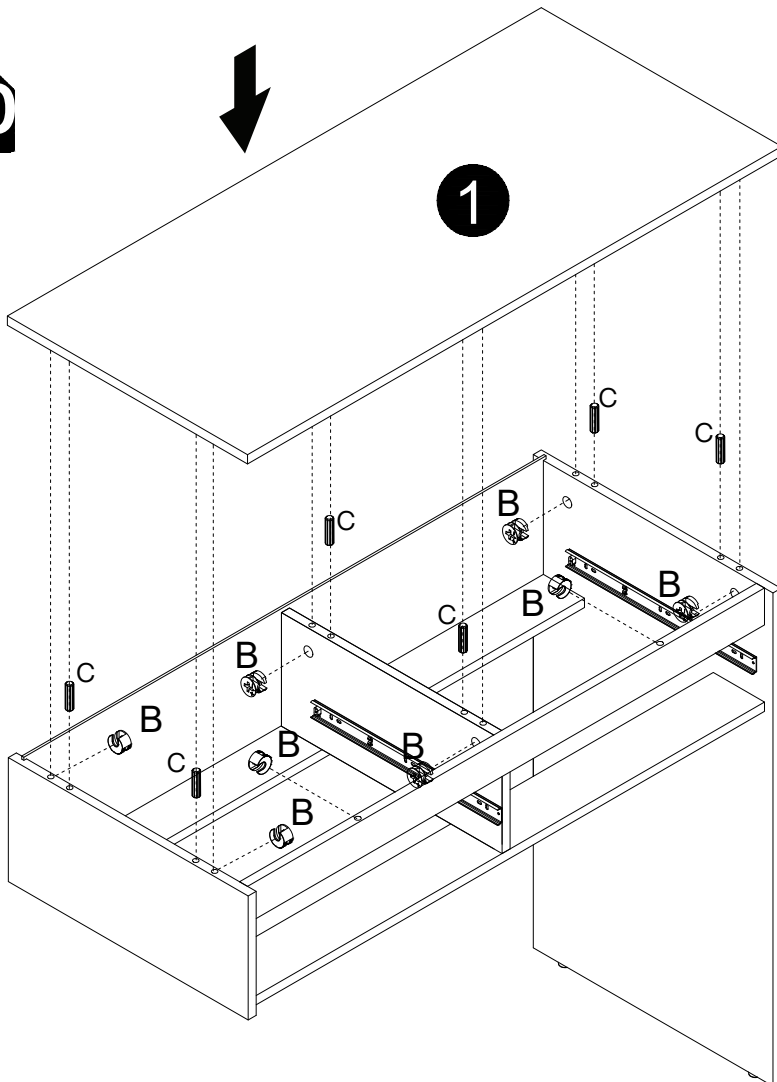



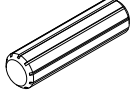


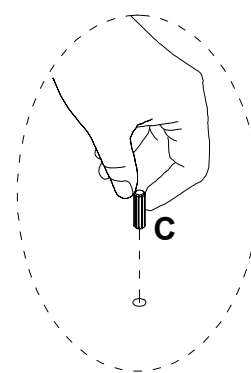
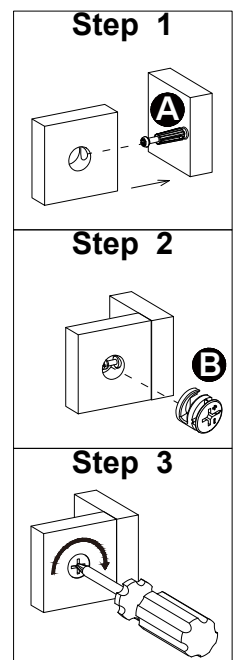
19



20

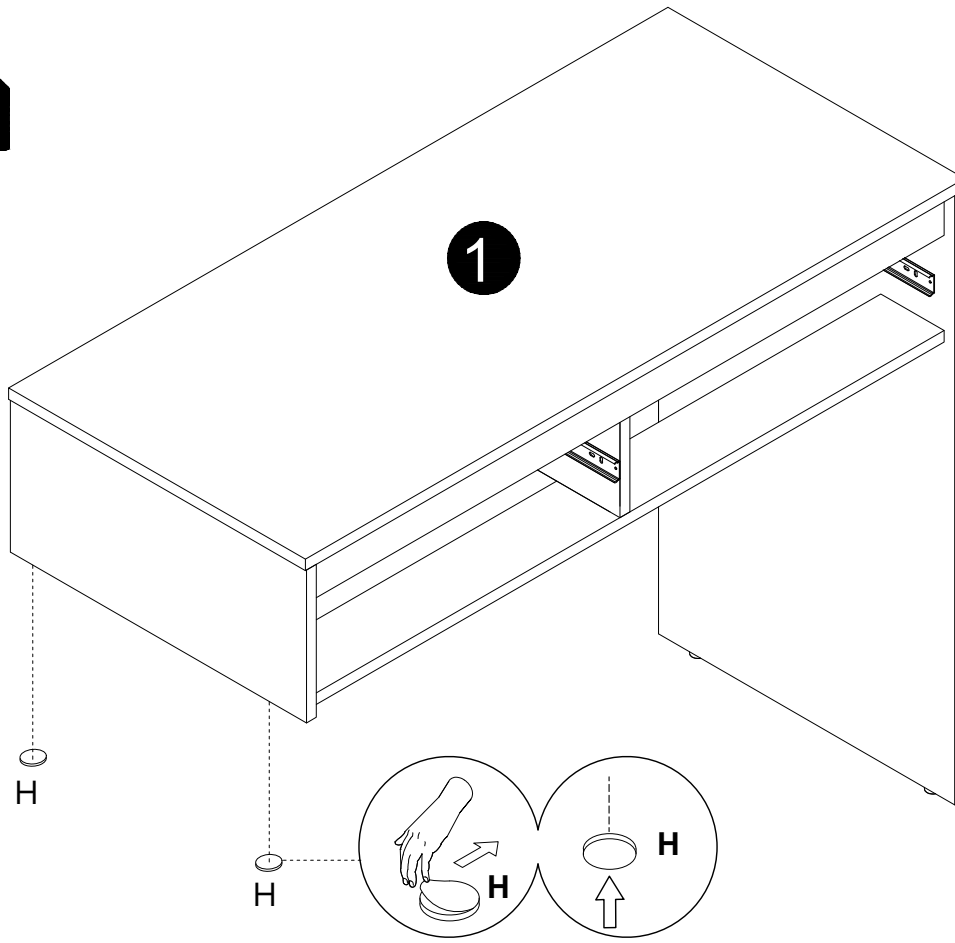


B	C
	
Ø15x12mm	Ø8x30mm
8 pcs	6 pcs

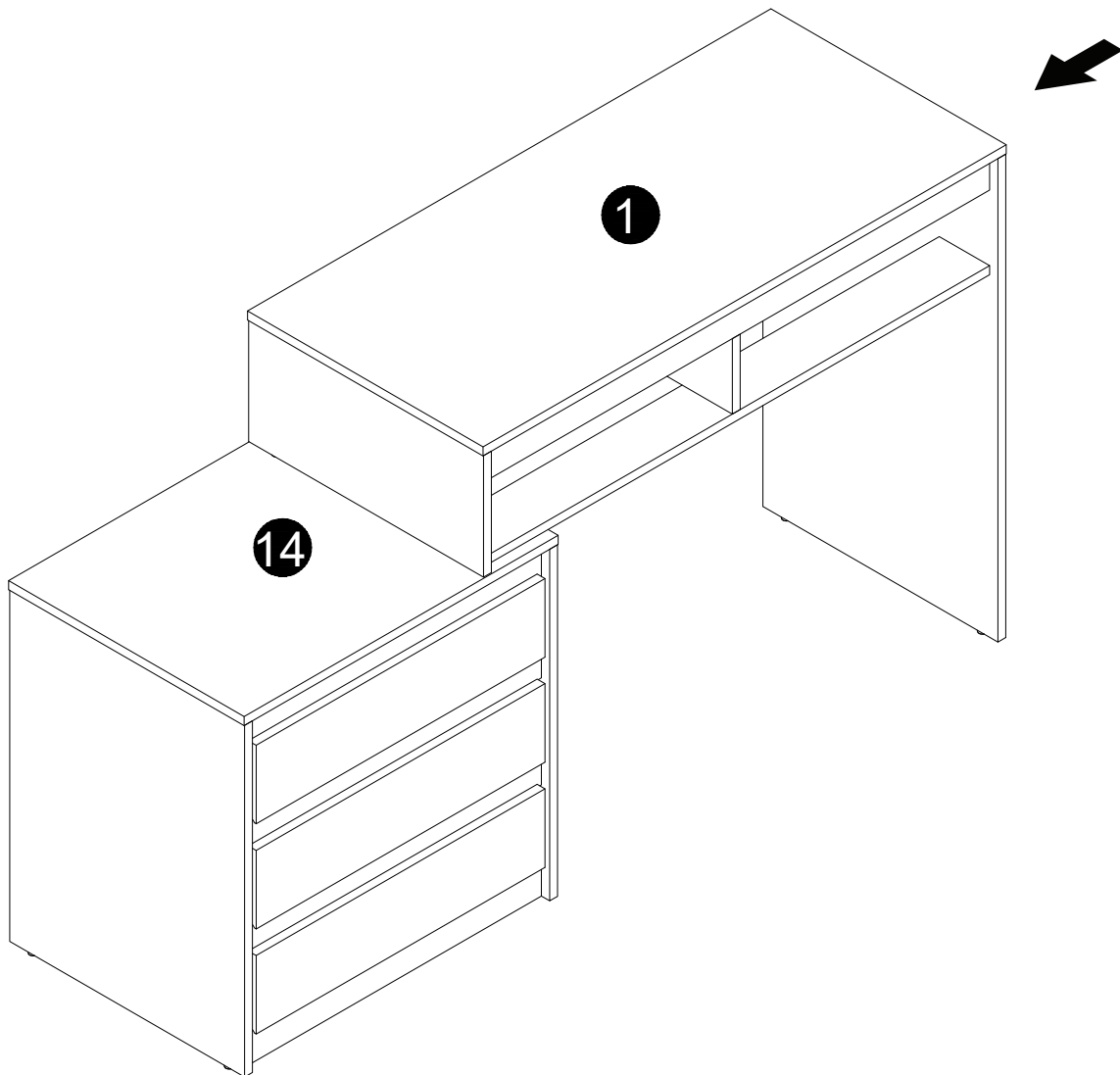




21

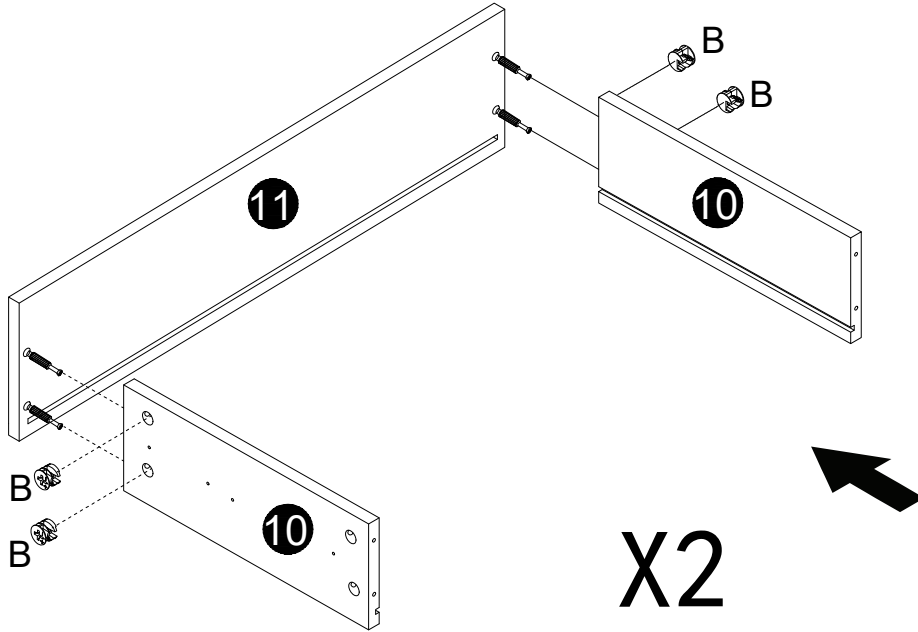


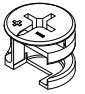
22



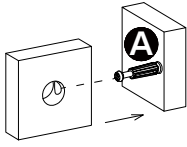


23

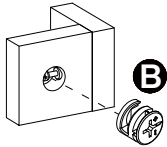


<b>B</b>

Ø15x12mm
8 pcs

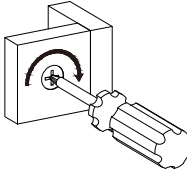
**Step 1**



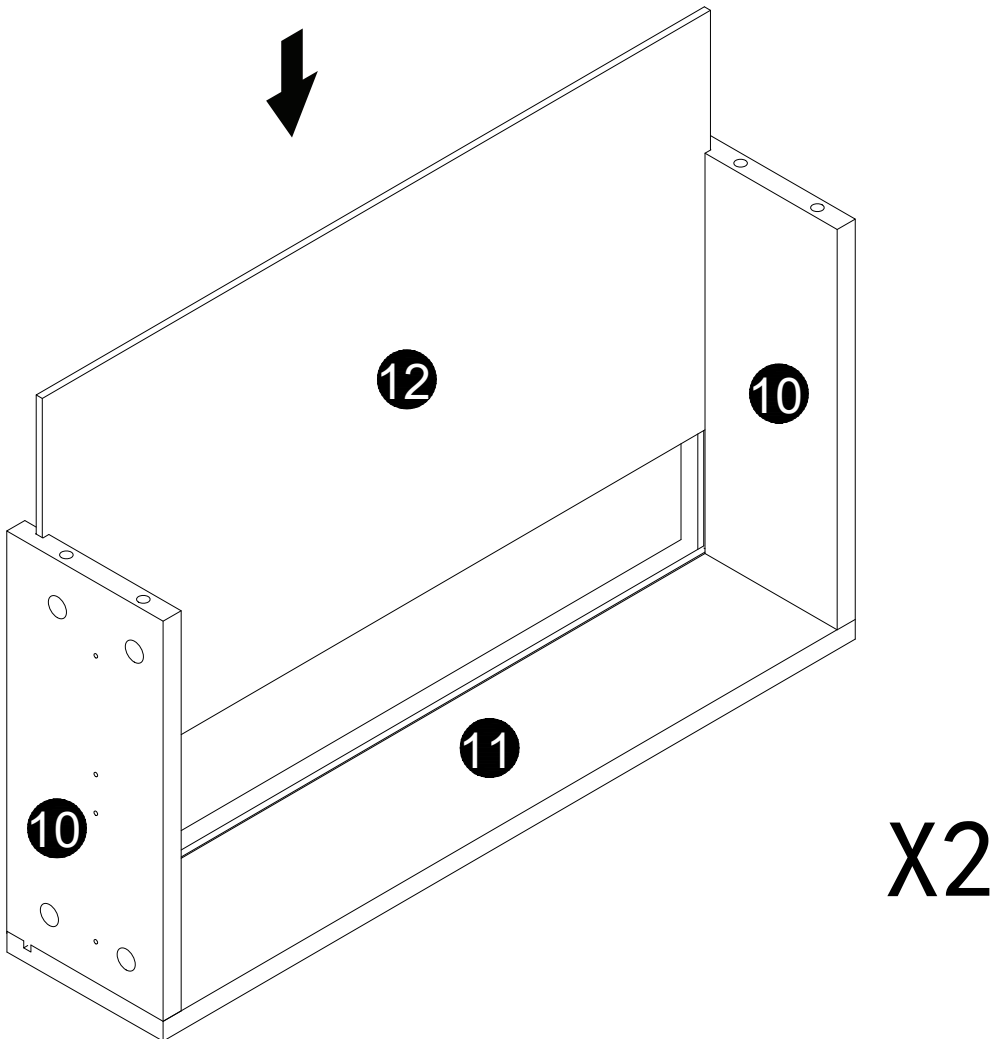
**Step 2**



**Step 3**

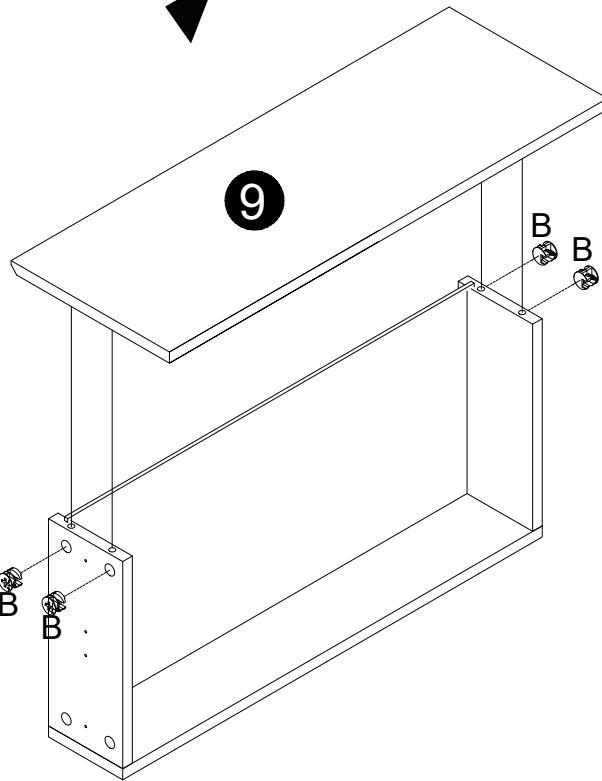
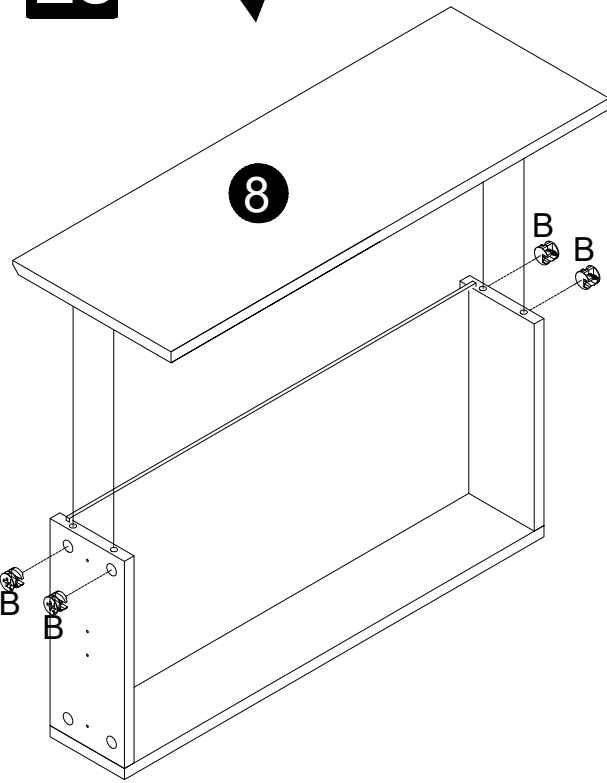


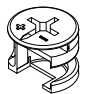
24



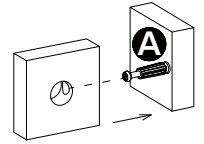


25

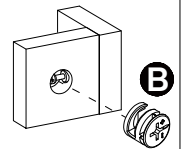


<b>B</b>

Ø15x12mm
8 pcs

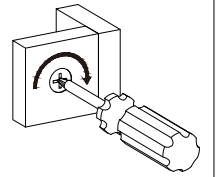
Step 1



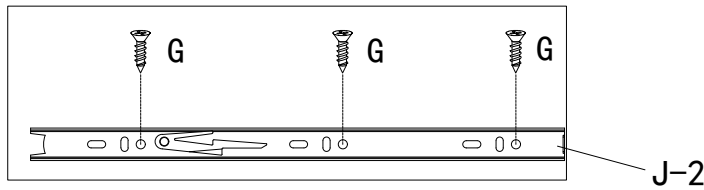
Step 2

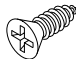



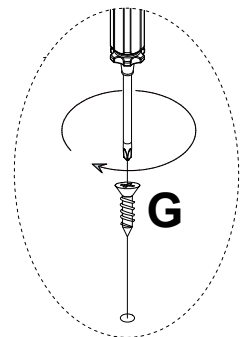
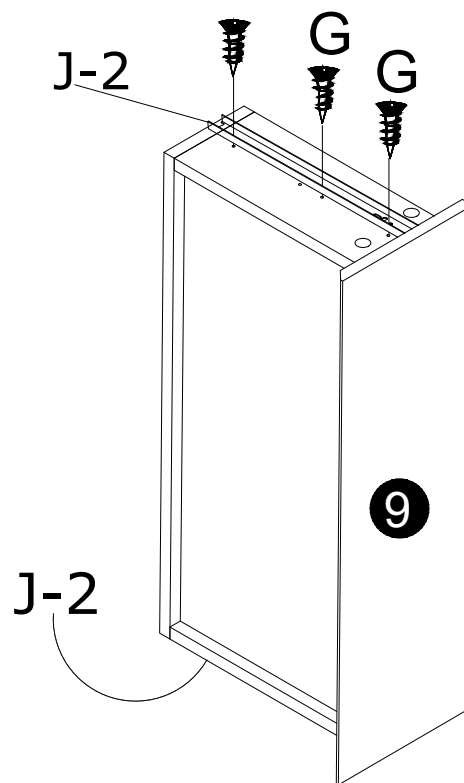
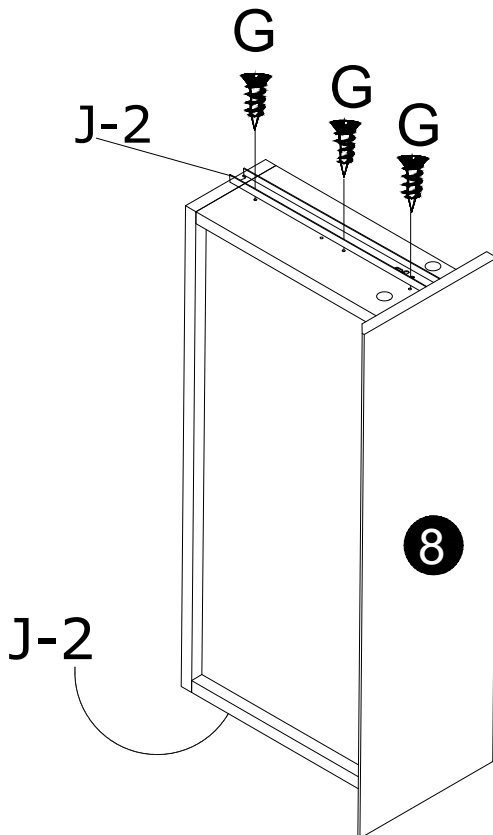
Step 3



26

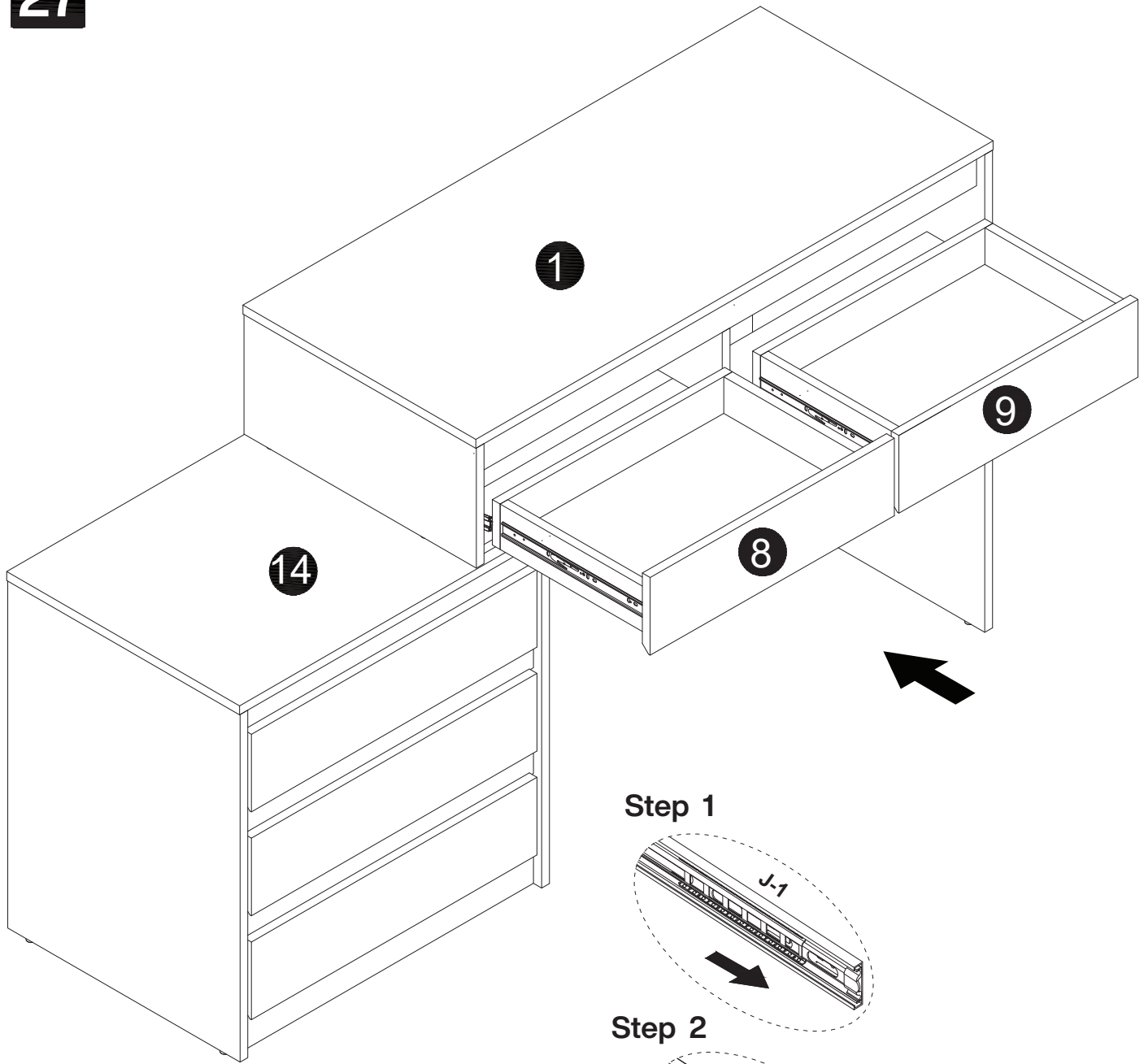


<b>G</b>	<b>J</b>
	
Ø3.5x14mm	290x35mm
12 pcs	4 pcs

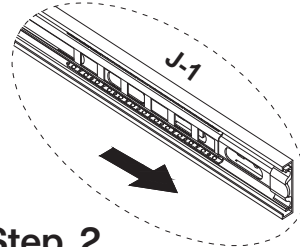




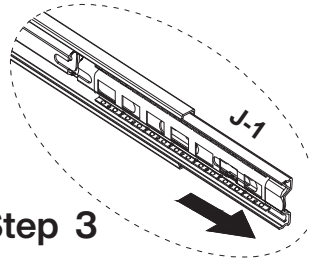
27



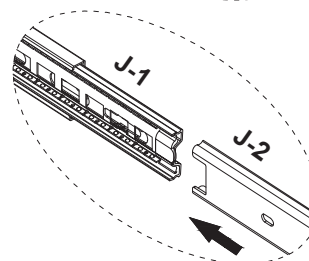
Step 1



Step 2



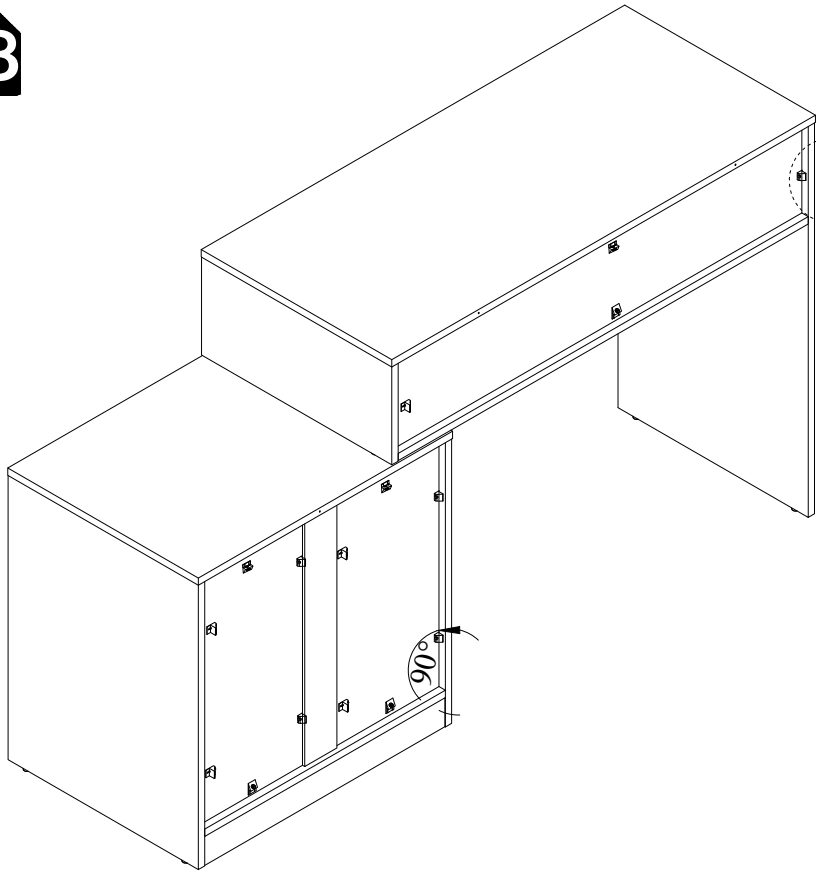
Step 3



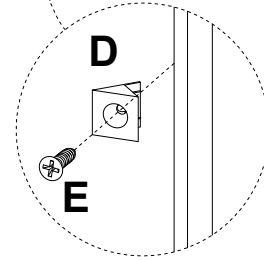
Before installation, slide the inner iron pieces of #J-1 to the outermost side. Then align it with #J-2 and gently push it inward to complete the slide installation.



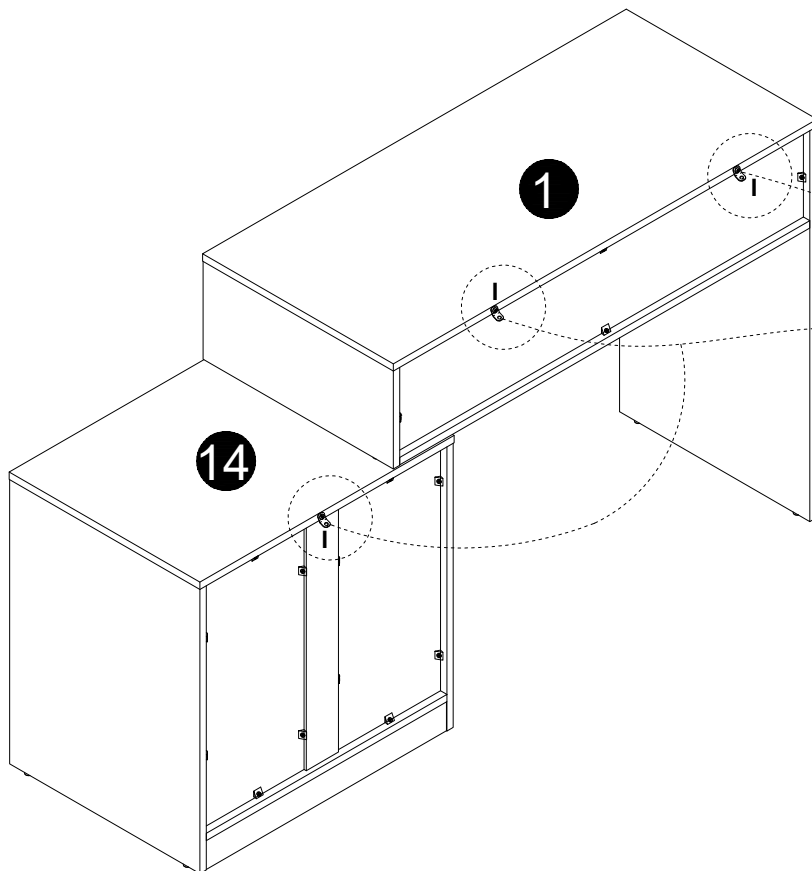
28



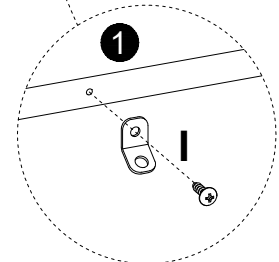
D	E
17x16x10.5mm	Ø3x18mm
16 pcs	16 pcs



29



I
3 pcs



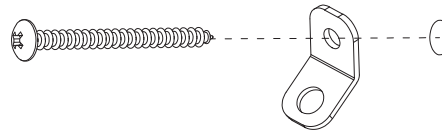


30

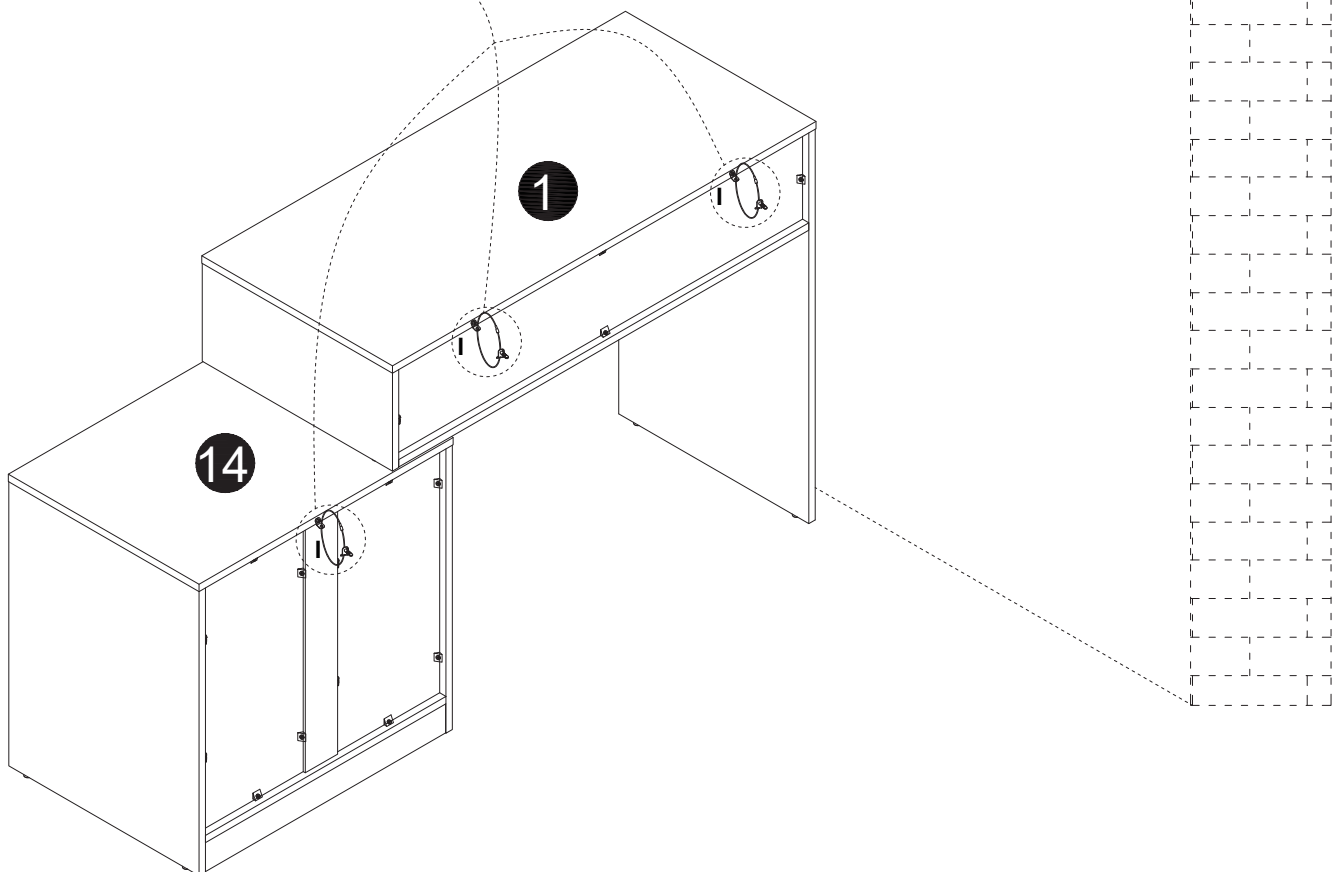
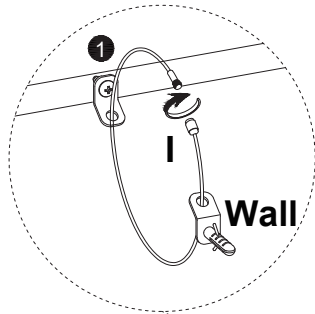
Step1 **Wall**



Step2



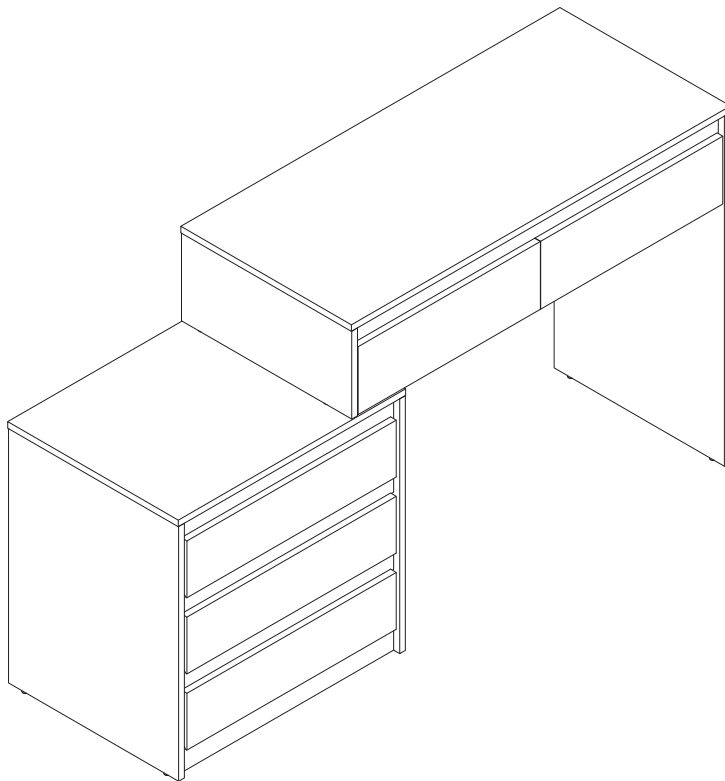
Step3





DESIGNED FOR LIFE

# Thank you for your support!



## Contact our customer service team



support@tribesigns.com  
www.tribesigns.com



1-424-220-6888  
7 AM to 8 PM EST,  
Monday to Friday

## Follow Tribesigns



Facebook



Instagram



Pinterest



Twitter



YouTube



TikTok



WhatsApp