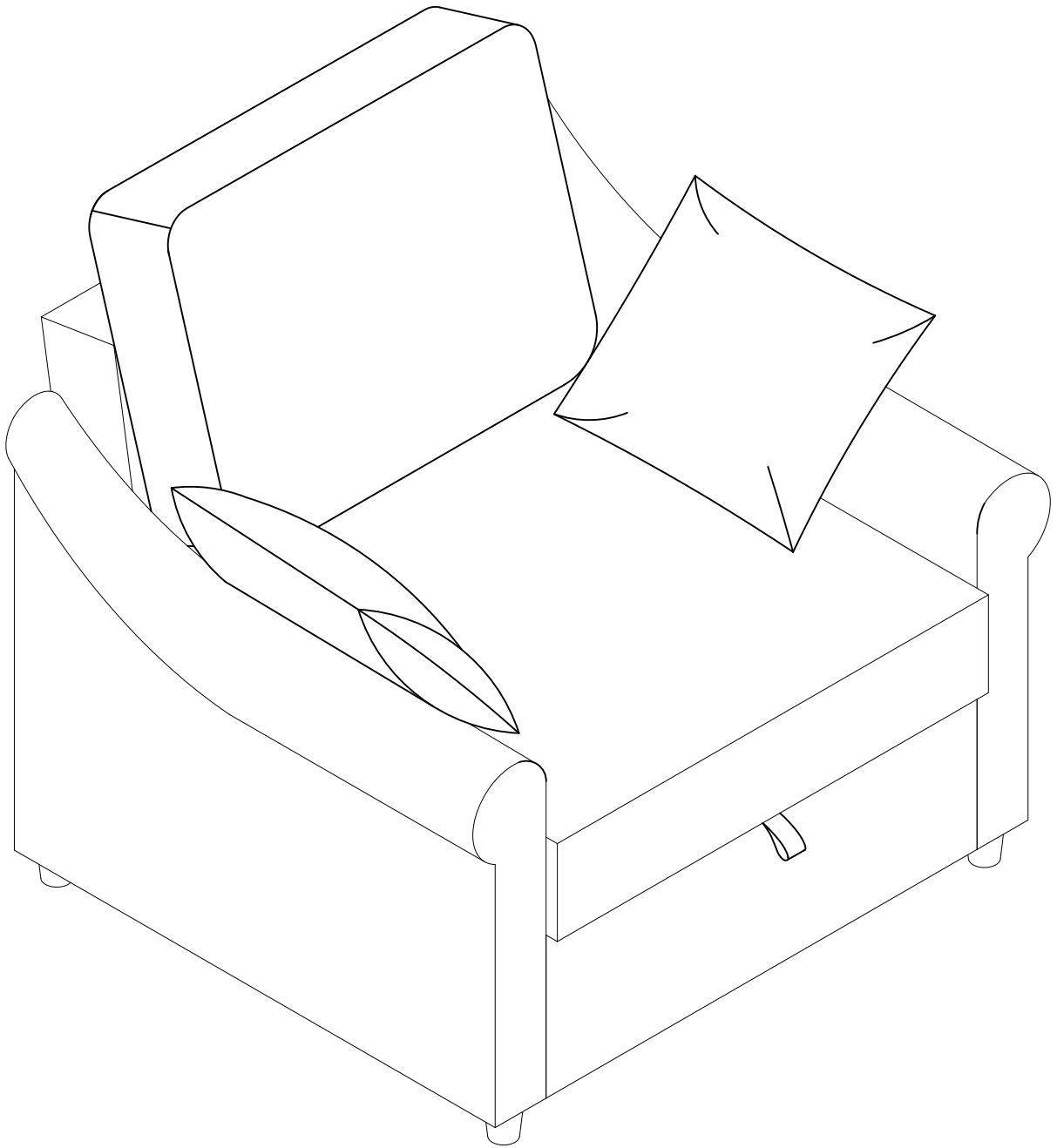
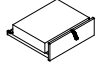

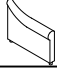
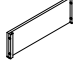








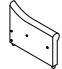
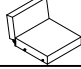

# ASSEMBLY INSTRUCTION



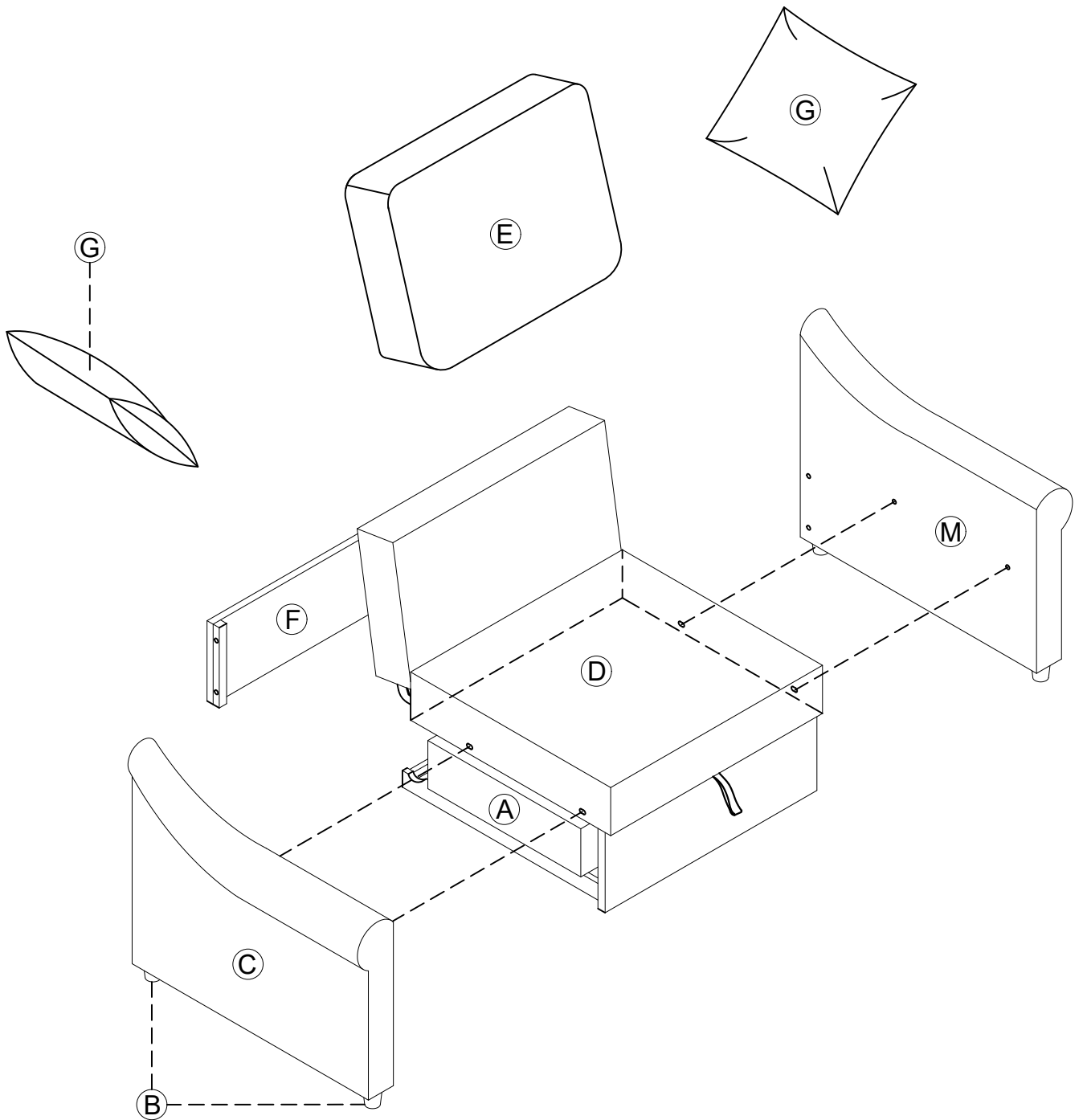
## COMPONENT LIST

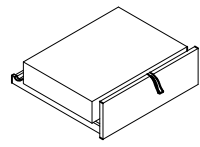
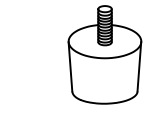
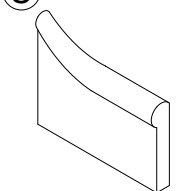
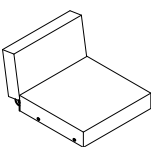
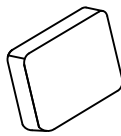
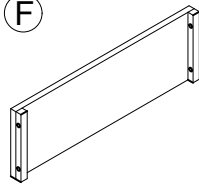
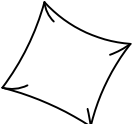





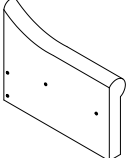
NO.	DRAWING	QTY	DESCRIPTION
A		1	Pull seat
B		4	Round legs
C		1	Left Arm
D		1	Back Panel
H		1	Back Cushion
H		4	Bolt Ø5/16"x50MM
I		4	Bolt Ø5/16"x65MM
J		1	Allen key
K		8	Spring Washer Ø5/16"
L		8	Flat Washer Ø5/16"

## COMPONENT LIST

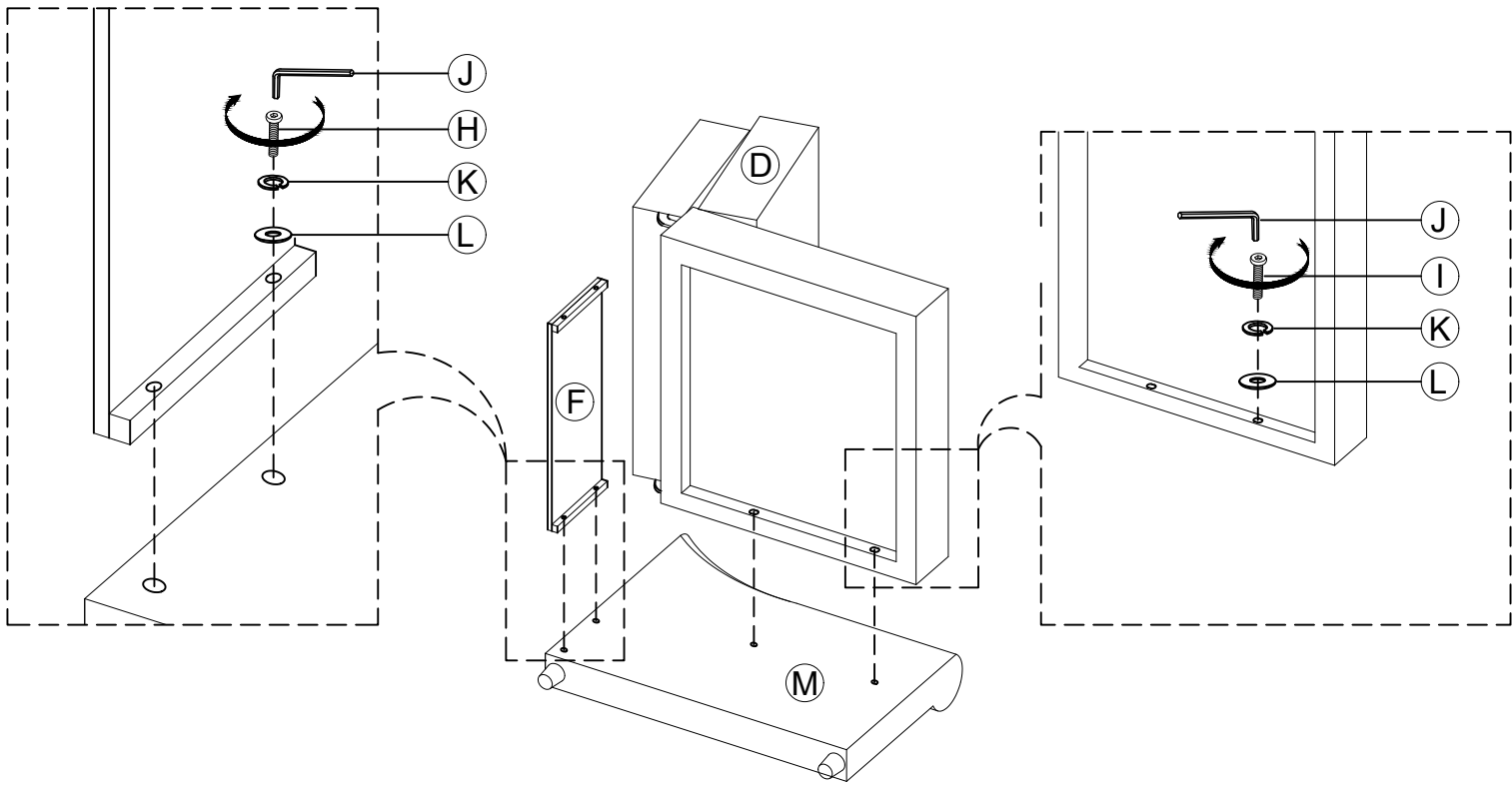
NO.	DRAWING	QTY	DESCRIPTION
M		1	Right Arm
D		1	Seat & Backrest
G		2	Pillows

# PARTS LIST

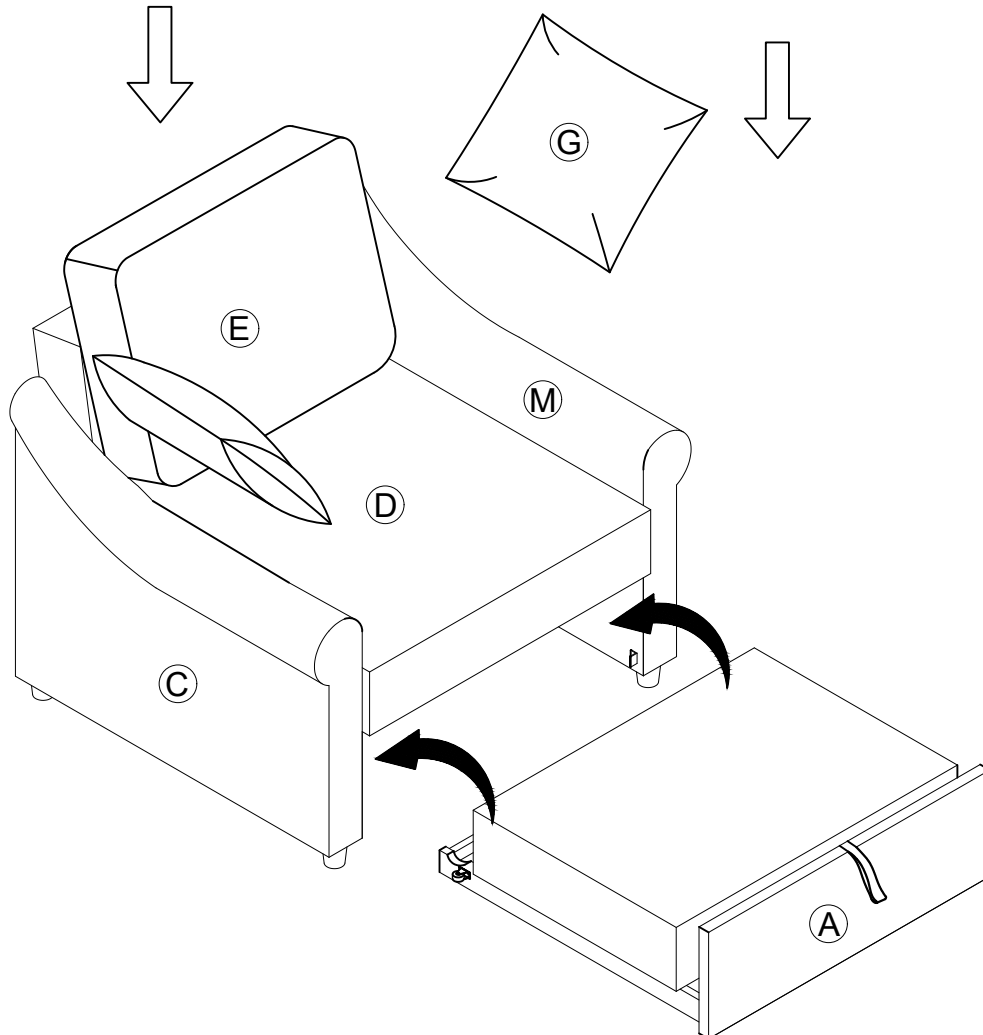


						
<p>Pull seat X 1PC</p>	<p>Round legs X 4PCS</p>	<p>Left Arm X 1PC</p>	<p>Seat &amp; Backrest X 1PC</p>	<p>Back Cushion X 1PC</p>	<p>Back Panel X 1PC</p>	<p>Pillows x2pcs</p>
						
<p>Bolt Ø5/16"x50MM X 4 PCS</p>	<p>Bolt Ø5/16"x65MM X 4 PCS</p>	<p>Allen key X 1PC</p>	<p>Spring Washer Ø5/16" X 8 PCS</p>	<p>Flat Washer Ø5/16" X 8 PCS</p>	<p>Riht Arm X 1PC</p>	<p>Page 3 of 5</p>

**STEP 1:**



**STEP 2:**



# Helpful Hints

- The sofa chair can transform into a sleeper
- Move your new furniture carefully, with two people lifting and carrying the unit to its new location.
- Your furniture can be disassembled and reassembled to move.
- Clean the product with a soft damp cloth. DO NOT use harsh chemicals or abrasive cleaners.

## COMPLETED

