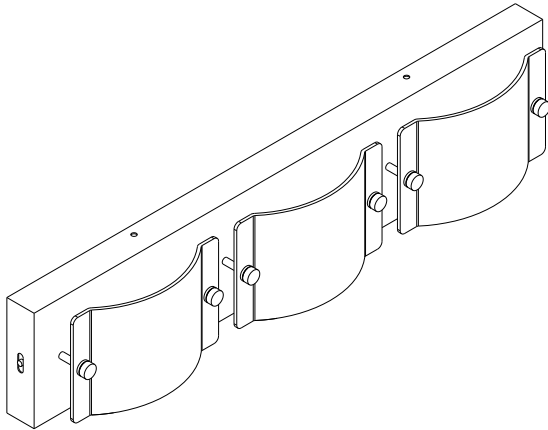


# ***Tribesigns***

DESIGNED FOR LIFE

## Assembly Instructions



3-Light Vanity  
Light Fixture

Model No.  
THCL-TD0002



[www.tribesigns.com](http://www.tribesigns.com)



# Contact Us

## We're here to help you.



Your satisfaction is our top priority. If you encounter any issues with this product, such as missing or damaged parts, we're here to help. Please retain the original packaging and take photos of the packaging and the product, then contact us as soon as possible.

### Warm Tips

1. Carefully read these instructions and keep them for future reference.
2. Check the parts list and confirm everything's there before starting assembly.
3. When assembling, put all parts on a soft, smooth surface like a carpet to avoid scratches.
4. Don't fully tighten screws until all parts are confirmed in place to avoid misalignment.

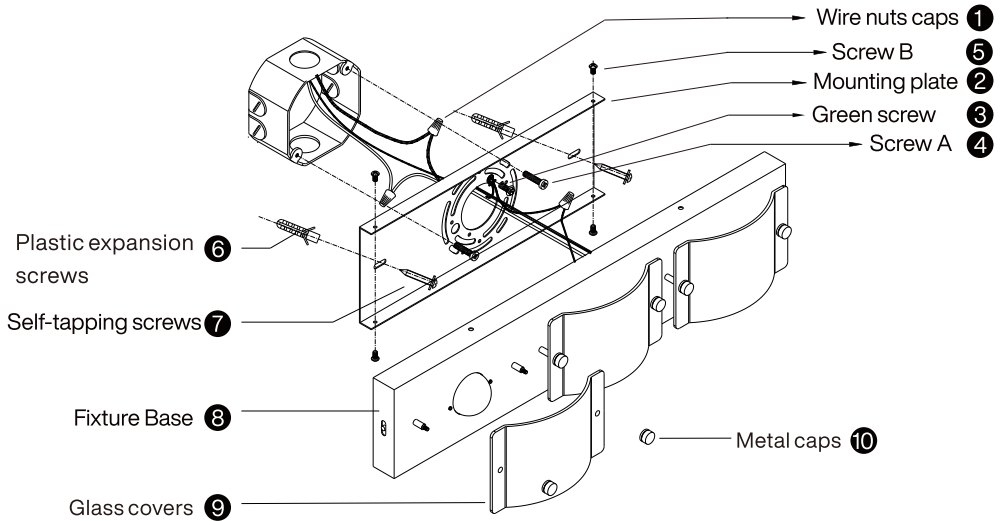


## Technical Details

Voltage	110-120V
Wattage	MAX 15W
Base Type	LED
Material	Metal
Metal Color	Gold
Style	Modern



## Product Details



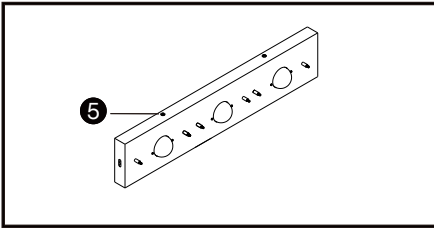
## Packing List

- 3 x Wire nuts caps ①
- 1 x Mounting plate ②
- 1 x Green screw ( ground wire screw ) ③
- 2 x Screw A ④
- 4 x Screw B ⑤
- 2 x Plastic expansion screws ⑥
- 2 x Self-tapping screws ⑦
- 1 x Fixture Base ⑧
- 3 x Glass covers ⑨
- 6 x Metal caps ⑩

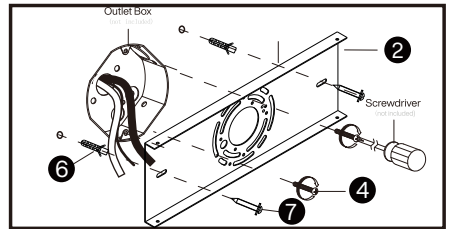


## Installation

Make sure you have cut off the electricity supply before installation

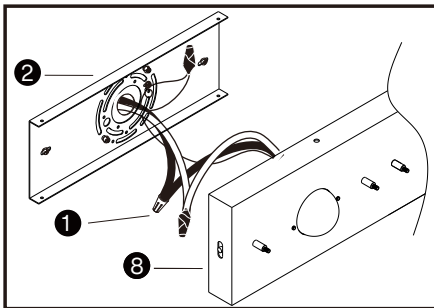


STEP1:Remove the mounting plate from the fixture base,and save the four screw B that were unscrewed.( 2 5 )

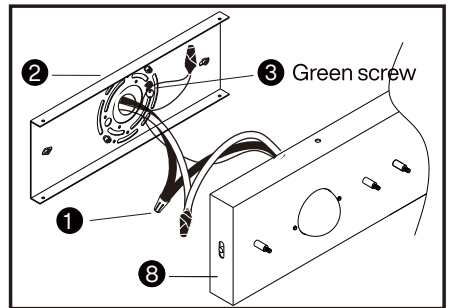


STEP 2: Attach the mounting plate to the Outlet box(not included) ( 2 4 6 7 ) Into the wall.

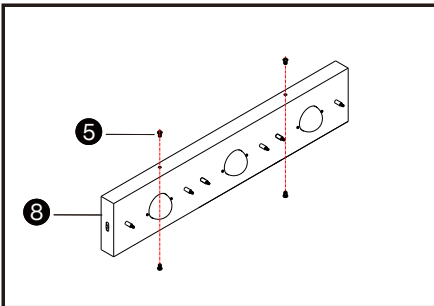
STEP 3: Connect all wires correctly, black to black ( live wire ) and white to white (neutral wire),and cover the wire knot with wire nuts caps.



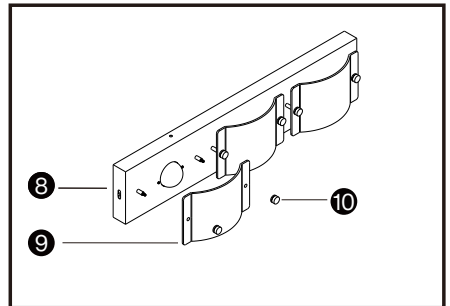
Way 1:Attach the copper wire to ground wire with wire nuts caps.( 1 )



Way 2:Attach copper wire to ground screw(the green screw on the mounting plate)( 1 2 3 )



STEP4:Install the vanity light fixture onto the mounting plate with four screw B. ( 2 5 8 )



STEP5:Attach the Glass covers to the light fixture with the Metal caps carefully. ( 8 9 10 )



 **Caution**

1. Make sure you have cut off the electricity supply before Installation.
2. Do not connect electricity until your fixture is fully assembled.
3. Keep flammable materials away from the light.
4. Keep children away from this product.
5. Keep the light surface clean.

## Notice

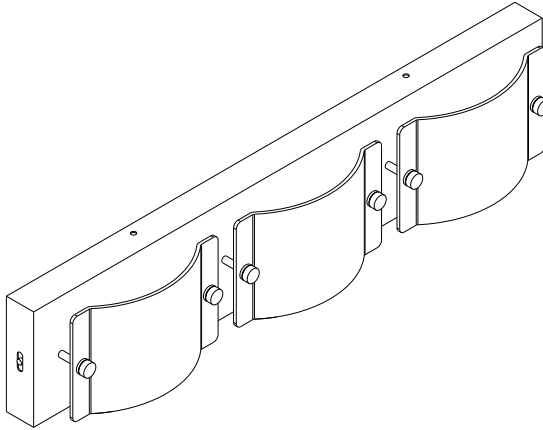
This warranty does not cover:

- (A) Failure or damage due to the improper use, repair or remodeling.
- (B) Failure or damage because of failing.
- (C) Failure or damage caused by fire, earthquake, flood, lightning and other natural disasters.
- (D) Failure or damage when used other than its intended use.
- (E) Failure or damage caused by the third-party products other than this product.



DESIGNED FOR LIFE

Thank you for your support!



Contact our customer service team



[support@tribesigns.com](mailto:support@tribesigns.com)  
[www.tribesigns.com](http://www.tribesigns.com)



1-424-220-6888

7 AM to 8 PM EST,  
Monday to Friday

Follow Tribesigns



Facebook



Instagram



Pinterest



Twitter



YouTube



TikTok



WhatsApp