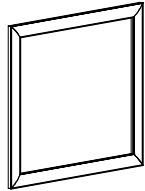
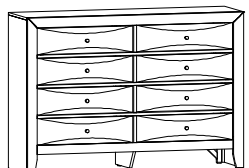
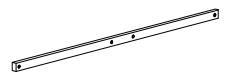



# ASSEMBLY INSTRUCTIONS

## MIRROR

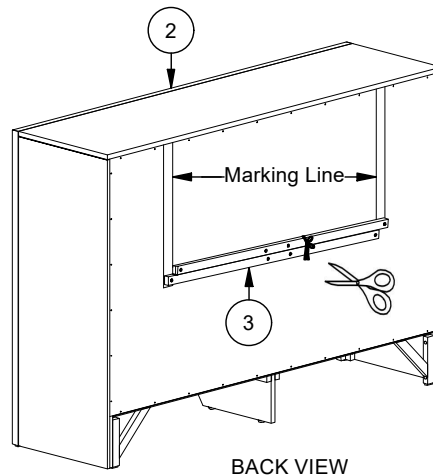
G15XX-M

NO	PART LIST	QTY
1	 MIRROR	1pc
2	 DRESSER	1pc
3	 MIRROR SUPPORT	2pcs

NO	HARDWARE LIST	QTY
A	 CHIPBOARD SCREW M4 x 32mm	6pcs
SCREW DRIVER IS NOT PROVIDED		

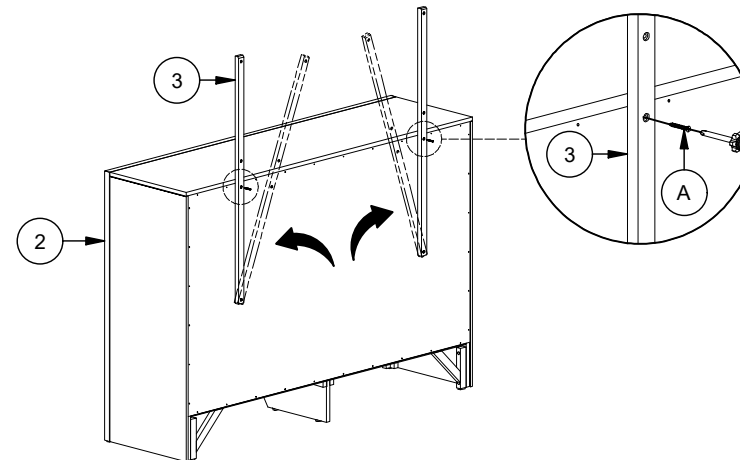
### STEP 1

Cut off the Rope String from the back of Dresser (2)



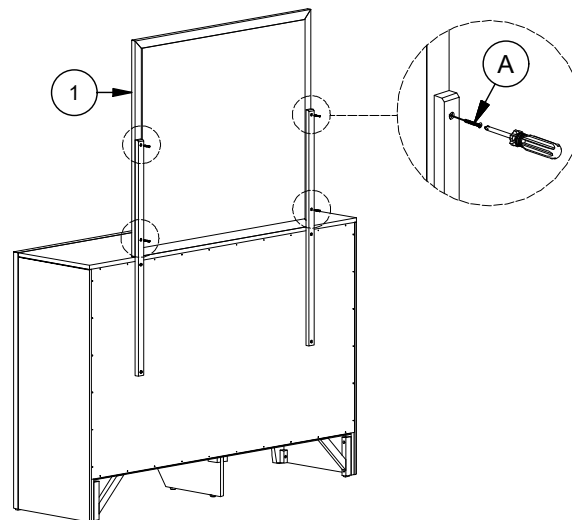
### STEP 2

- Turn the Mirror Support Rail (2) upward at the back of Dresser (2).  
Align the Mirror Support Rail with the marking line.  
- Tighten with Chipboard Screw (A).



### STEP 3

- Place Mirror on top of the Dresser.  
- Tighten with Chipboard Screw (A).



### STEP 4

Completed.

