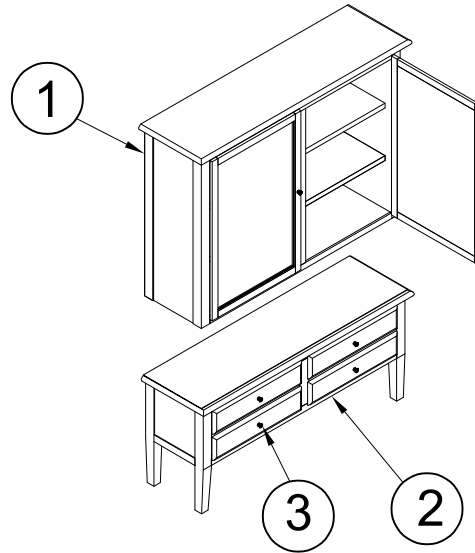
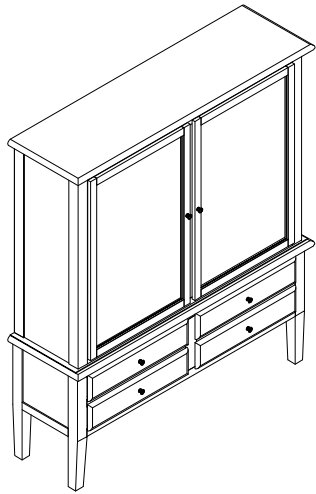



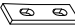






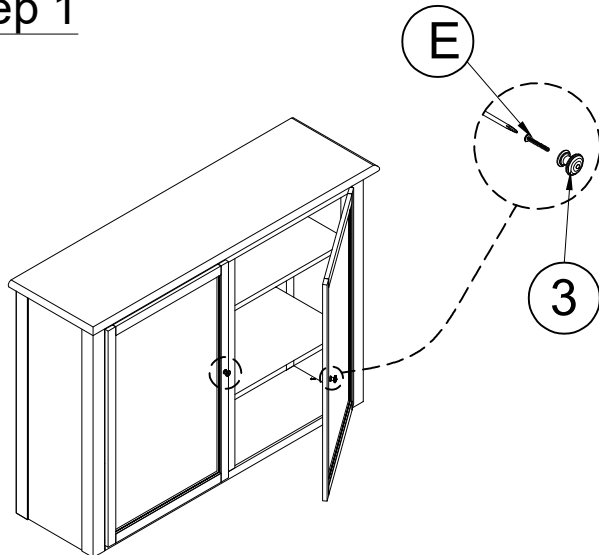
# ASSEMBLY INSTRUCTION CABINET



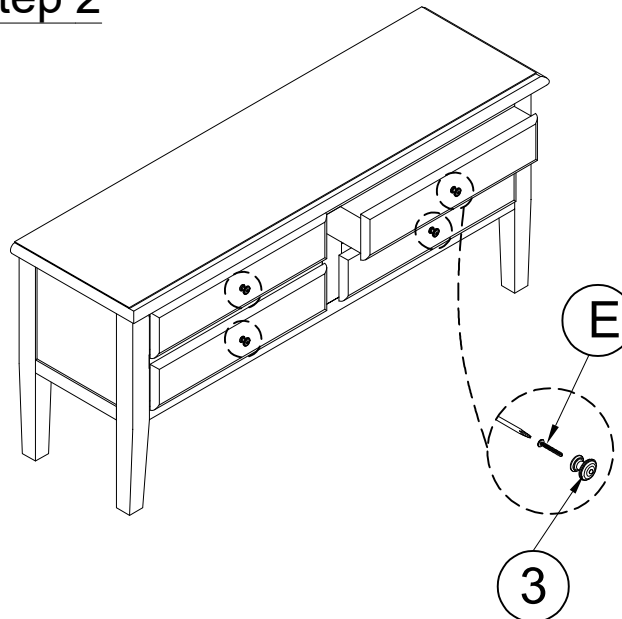
## Part List

1		Whitman Cabinet	1PSC
2		Whitman Sideboard	1PSC
3		Handle	6PCS
<b>Name of Hardware</b>			
A		Bracket	2PCS
B		Bolt M6X15	4PCS
C		Washer Ø 6	4PCS
D		Allen Key M4	1PCS
E		Screw Ø4 x 35	6PCS

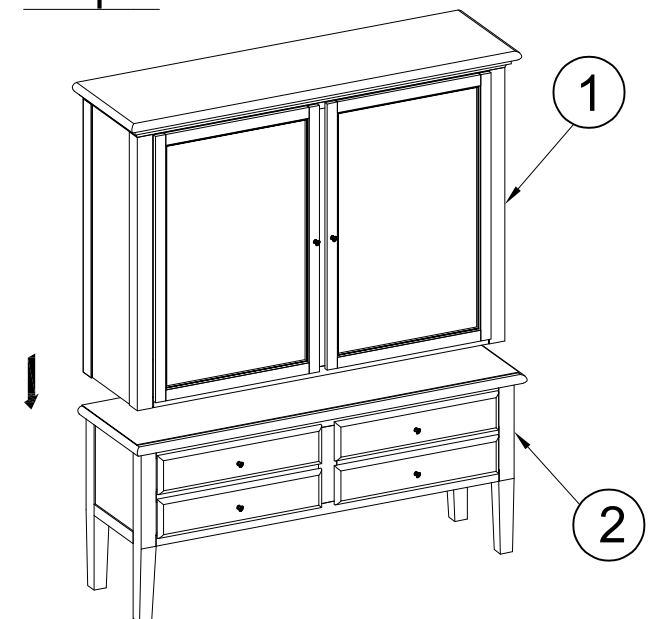
### Step 1



### Step 2

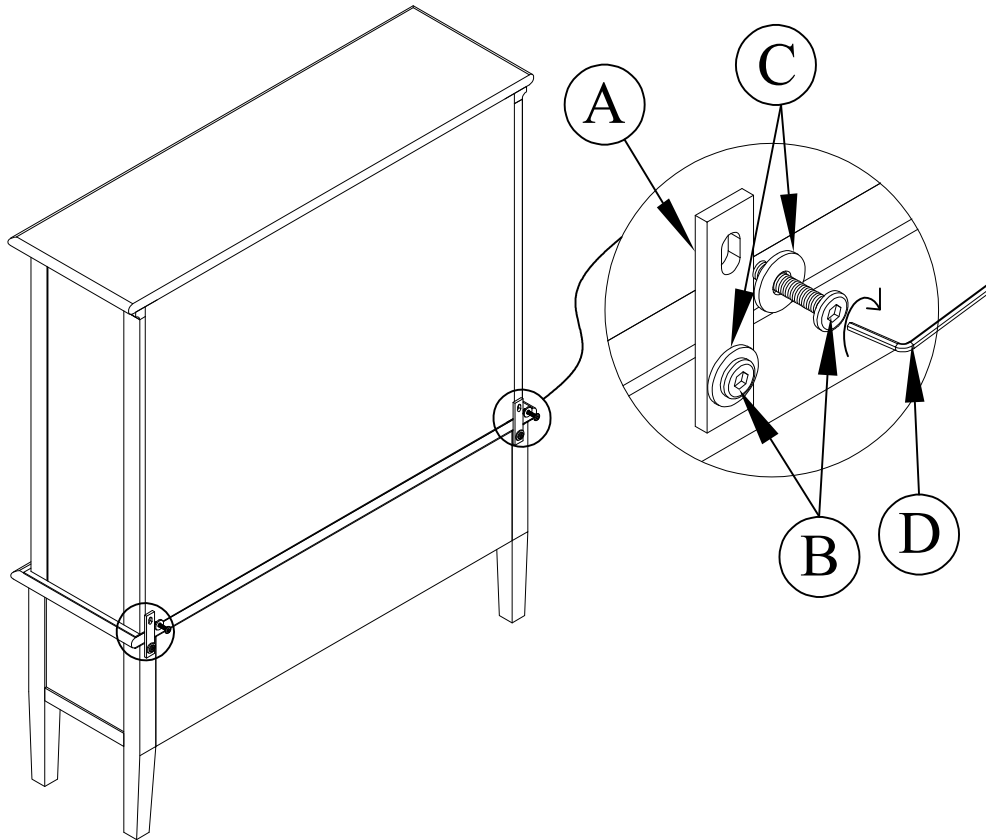


### Step 3

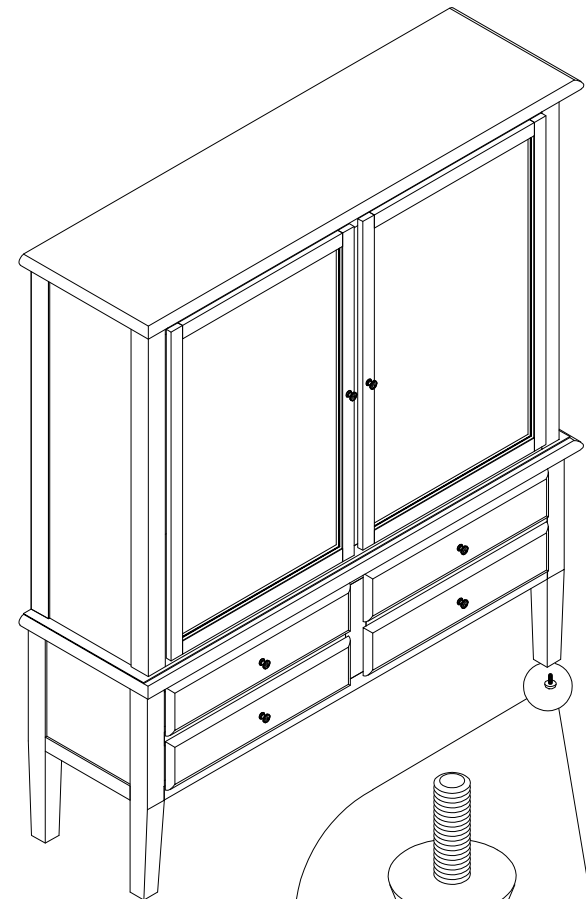


# ASSEMBLY INSTRUCTION CABINET

## Step 4



## Step 5



Adjustable Leveler

MADE IN VIETNAM

**FINISH**