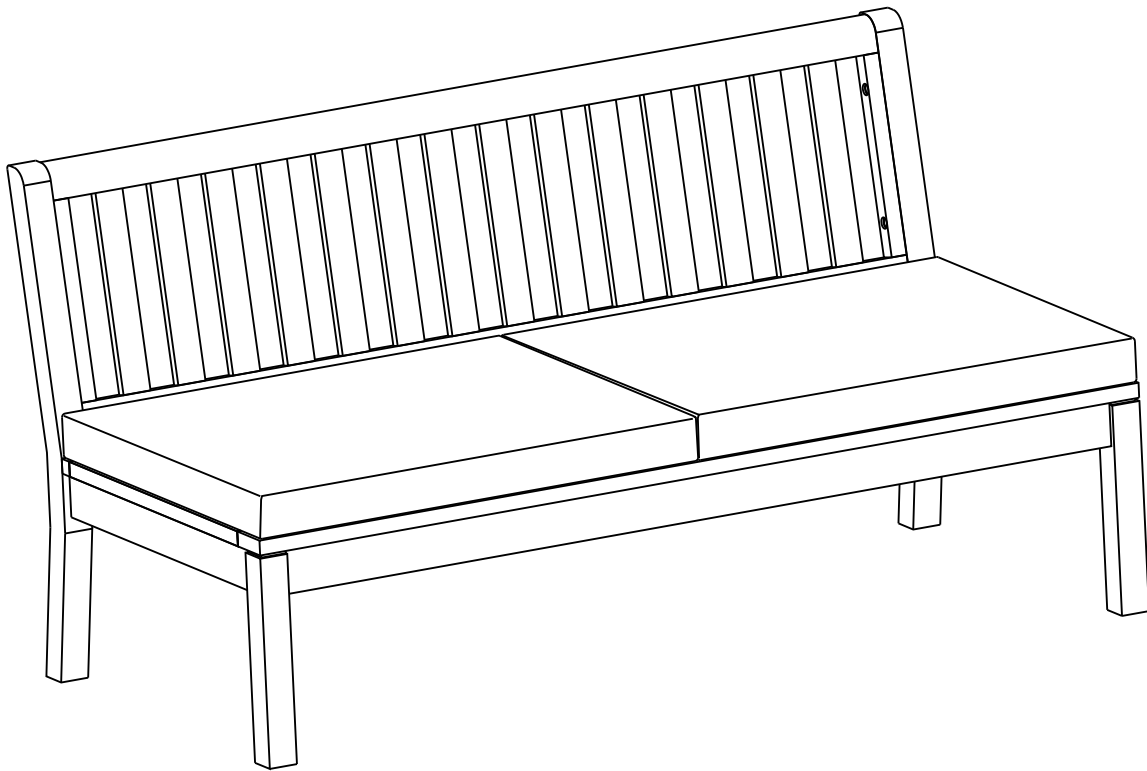


Assembly Instructions

Caution: You must read this before you proceed

Please look in the insert carton box for hardware packs

Loveseat

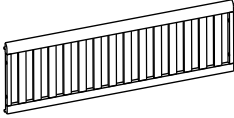
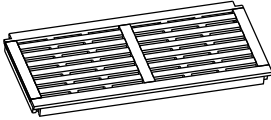



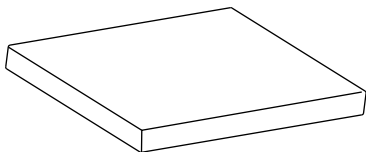


Caution: This Loveseat is NOT a TOY






Keep your child/ children at bay during the assembly process.

Whenever moving/lifting the Loveseat and to prevent damage to the Sofa, two adults are needed to execute these actions.

Parts List

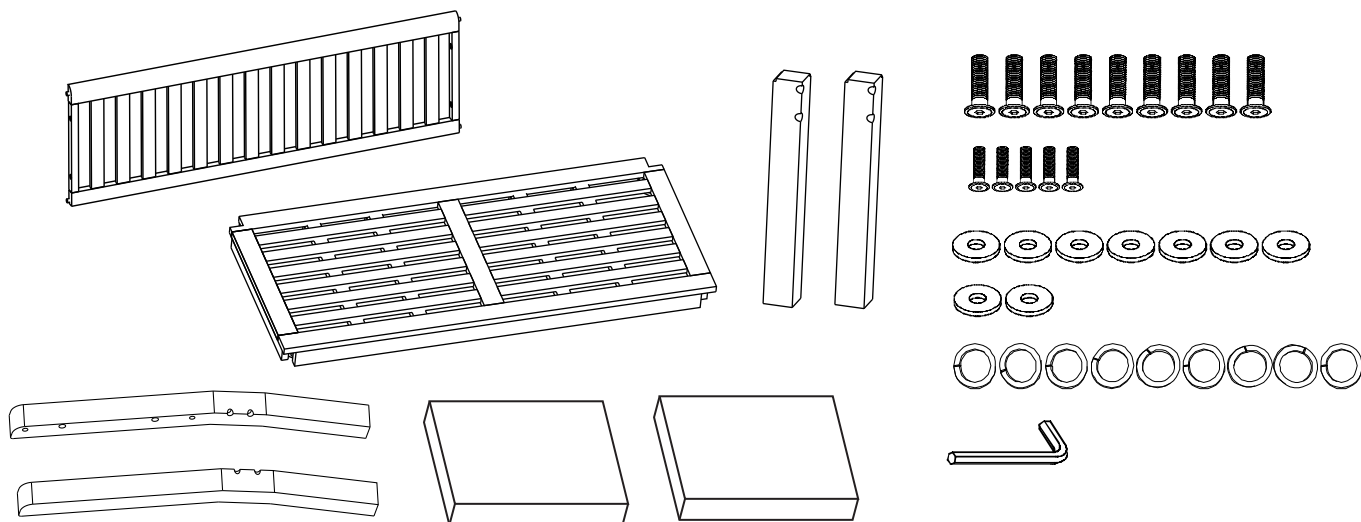
Label	Picture	Description	QTY
G		Backrest Panel	1
H		Seat Panel	1
I		Short Leg	2
J		Long Right Leg	1
K		Long Left Leg	1
L		Seat Cushion	2

Hardware

Label	Picture	Description	QTY
⑥		Bolt (M6x40 mm)	5
⑦		Bolt (M6x60 mm)	9
⑧		Spring Washer (6.5/11x2mm)	9
⑨		Washer (6.5/16x2mm)	9
⑩		Allen Key	1

Assembly Preparation

Before Beginning Assembly:



• Read instructions cover to cover



• Have 2 adults on hand for assembly



• Do not assemble on flooring or carpet-



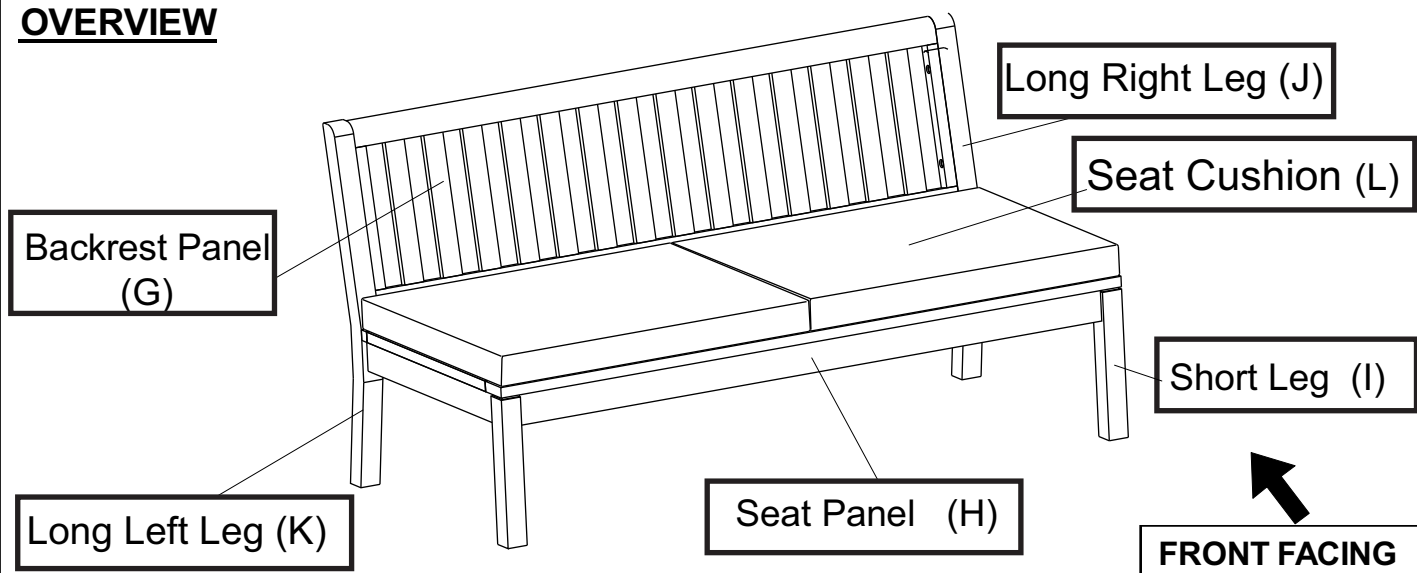
• Assemble on a clean non-marring surface (packing foam)-



• Save all packaging until finished

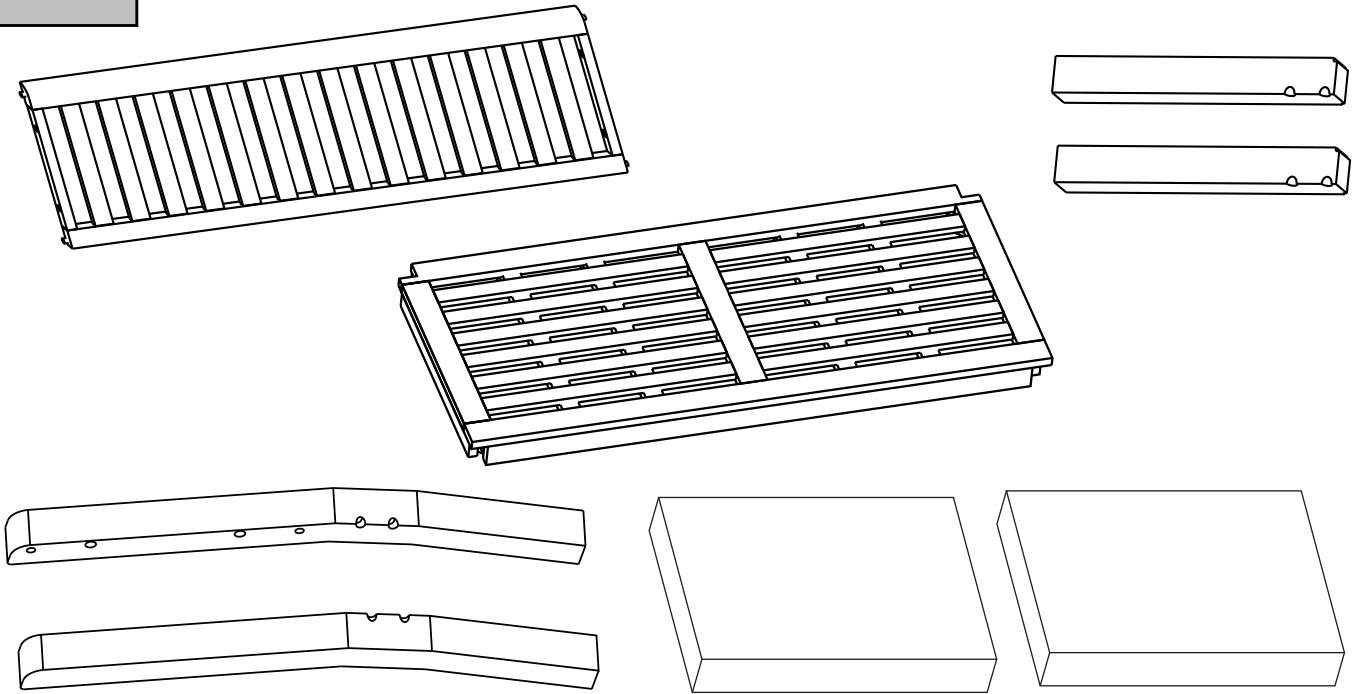
Assembly Steps

OVERVIEW



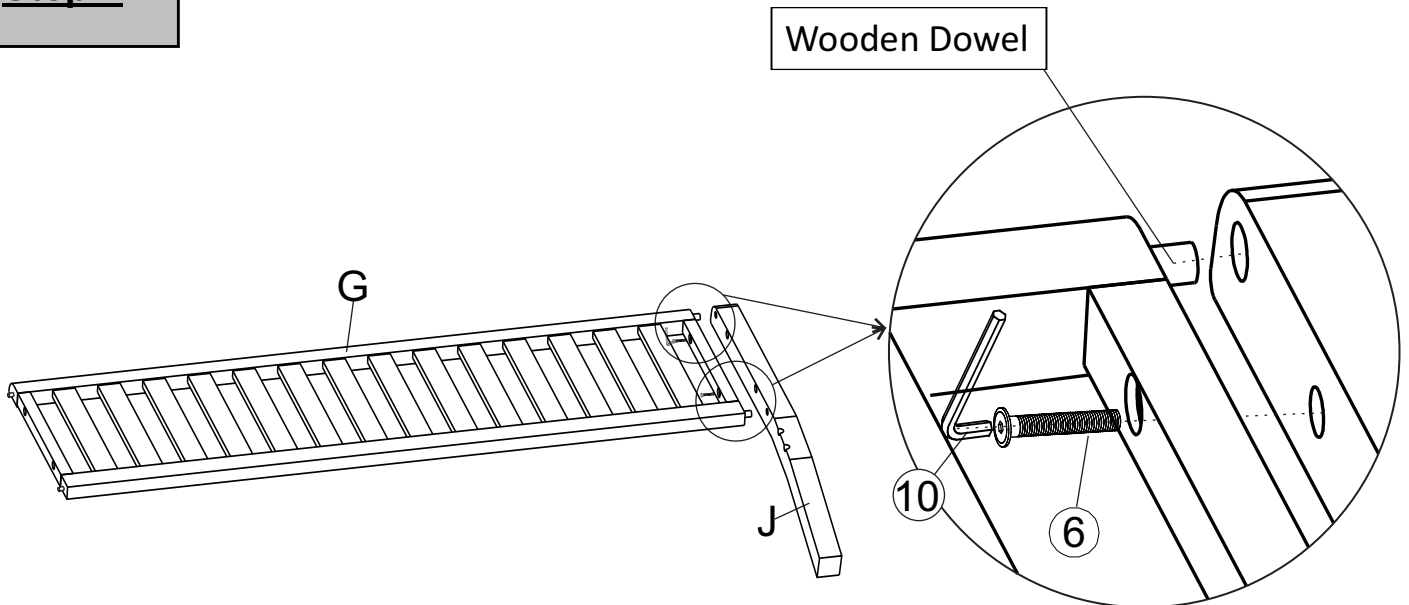
This Loveseat has multiple parts and may require up to 30 minutes to assemble. To give you an overview of the Loveseat parts, the above picture is to help you put the various parts into perspective. Please read through the instructions below to familiarise yourself with the parts and steps before assembly.

Step 1



Unpack and place all parts on a clean, non-marring surface.

Step 2

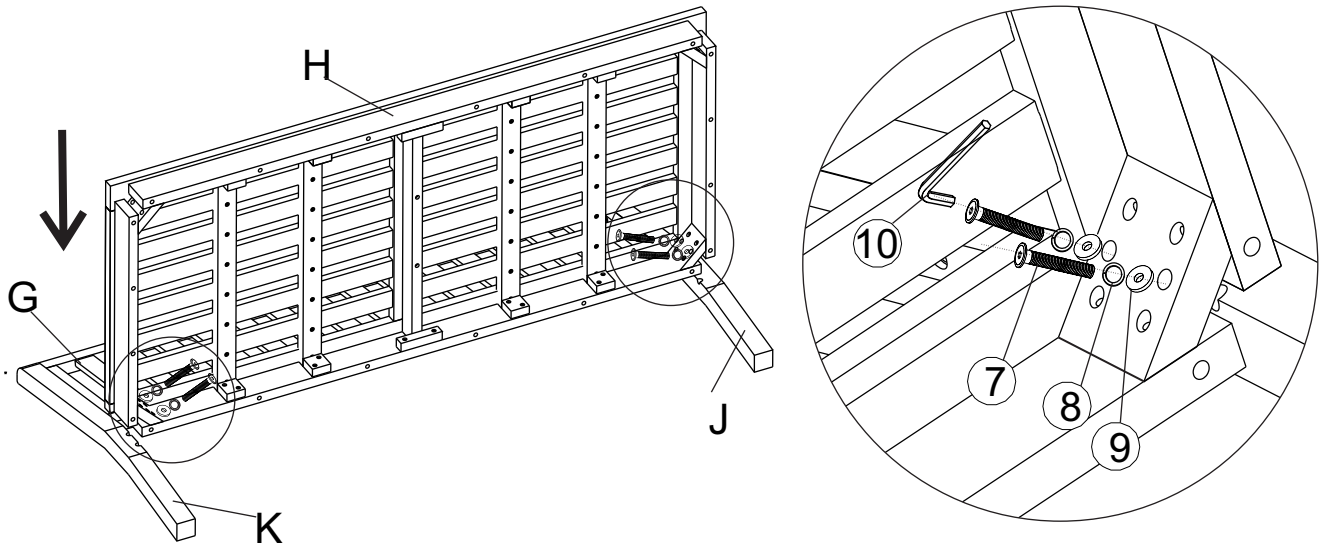


With assistance from your adult partner, insert Wooden Dowel on Backrest Panel(G) into the mortise of Long Right Leg(J). Attach Long Right Leg(J) to Backrest Panel(G) using Bolts(6) with Allen Key(10).

Do not fully tighten the Bolts.

Repeat the same process with the remaining Long Left Leg(K).

Step 3

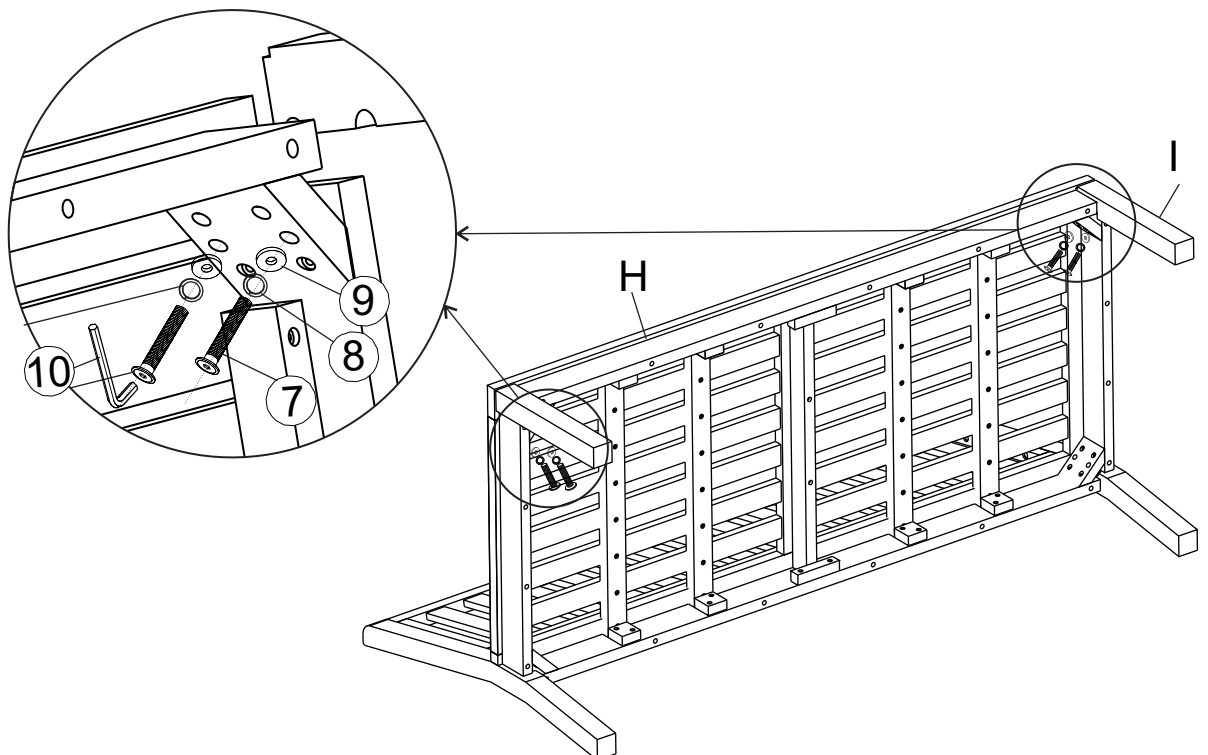


With assistance from your adult partner, put Seat Panel(H) onto Backrest Panel(G) with **Long Leg(J, K)** in the direction of the arrow as shown in above picture.

Attach Seat Panel(H) into **Long Leg(J, K)** using Bolts (⑦), Spring Washer(⑧), Washer (⑨) with Allen Key (⑩).

Do not fully tighten the Bolts.

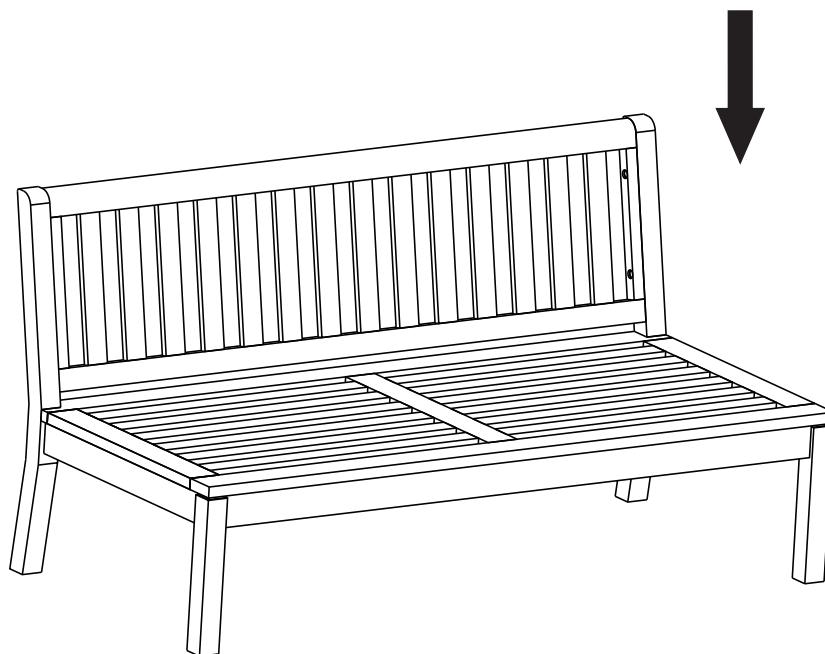
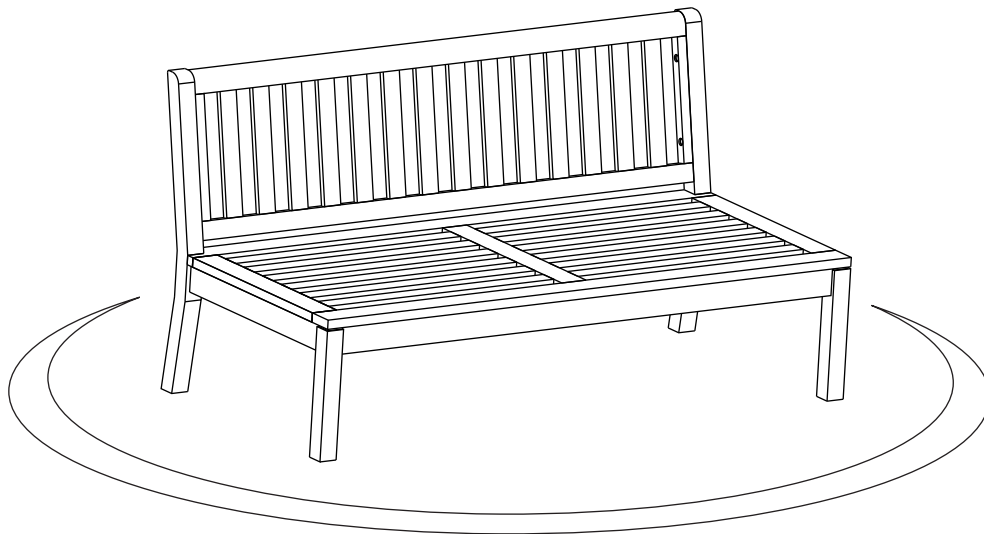
Step 4



Attach Short Legs(I) to Seat Panel(H) using Bolts(⑦), Spring Washers(⑧), and Washers(⑨) with Allen Key(⑩).

Do not fully tighten the Bolts.

Step 5



With assistance from your adult (partner), turn the Loveseat right side up. Inspect the Loveseat and make sure all parts are connected.

Gently and gracefully, sit into to the Loveseat.

This would help to align all the parts at all the joint areas.

Then get off the Loveseat, and in a sequential manner, proceed to tighten all Bolts and Screws.

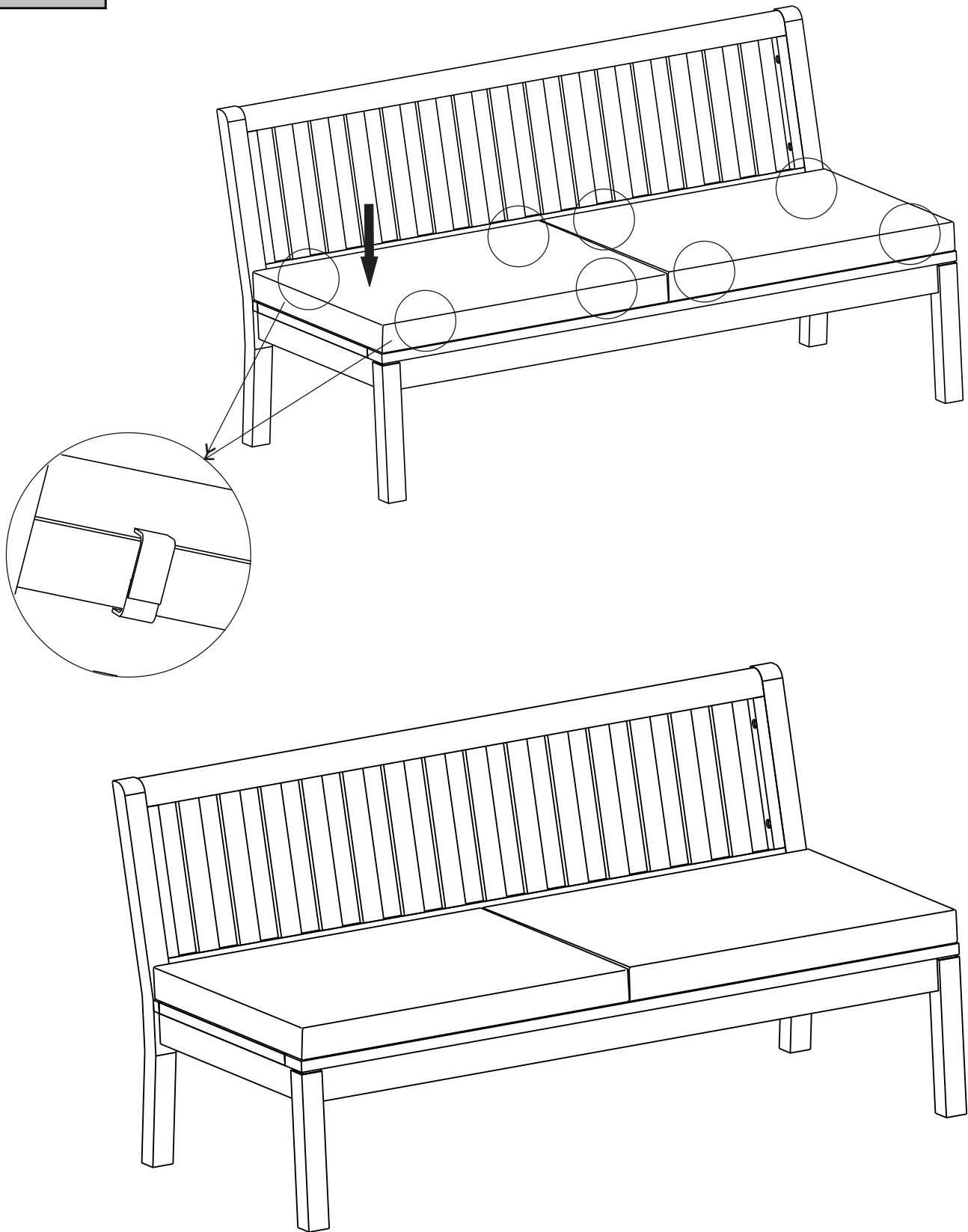
Then proceed to tighten all Bolts and Screws in a sequential manner. Whenever moving or lifting the Loveseat be sure to secure assistance from your adult partner(s).

When tightening the Bolts and Screws, tighten sequentially.

DO NOT tighten any Bolt or Screw fully and then move on towards the next one.

If there are still wobbles, loosen the Bolts and Screws and execute this same process.

Step 6











Put Seat Cushion(L) onto the Loveseat.


Tie the velcro straps of Seat Cushion(L) to the slat of Seat Panel(H).

Your Loveseat is ready for use.

This Loveseat can only be used on a flat, level surface.

Care & Maintenance

-  ● Do not put hot items directly on furniture surface
-  ● Do not clean furniture with harsh cleansers or polish.
-  ● To obtain the longest lifespan of your outdoor products, minimizing exposure to direct sunlight is recommended.
-  ● Children should not climb or jump on the furniture.
-  ● Do not write on furniture without a padded barrier to protect the surface.
-  ● To obtain the longest lifespan of your outdoor products, avoid extended and lengthy exposure to rain, snow, and direct sunshine. Whenever possible cover the product and /or place under patio or awnings.
-  ● Not for commercial use. For residential use only .
-  ● Stains may be removed with mild soap solution and damp cloth.

-  ● Dust and pick-up spills using a clean, non-colored, lint-free cloth .