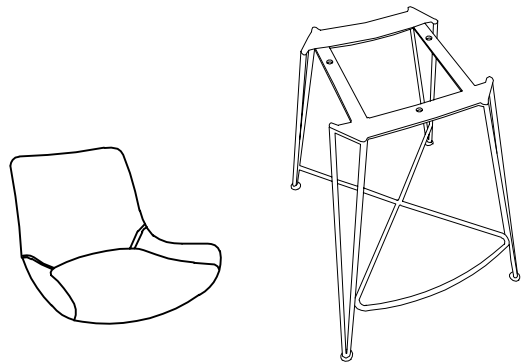


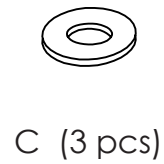
PLEASE NOTE: Check that you have received all components and hardware before assembling.

Assembly Instructions Bar Stool



A (1 pc)

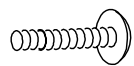
B (1 pc)



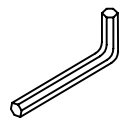
C (3 pcs)



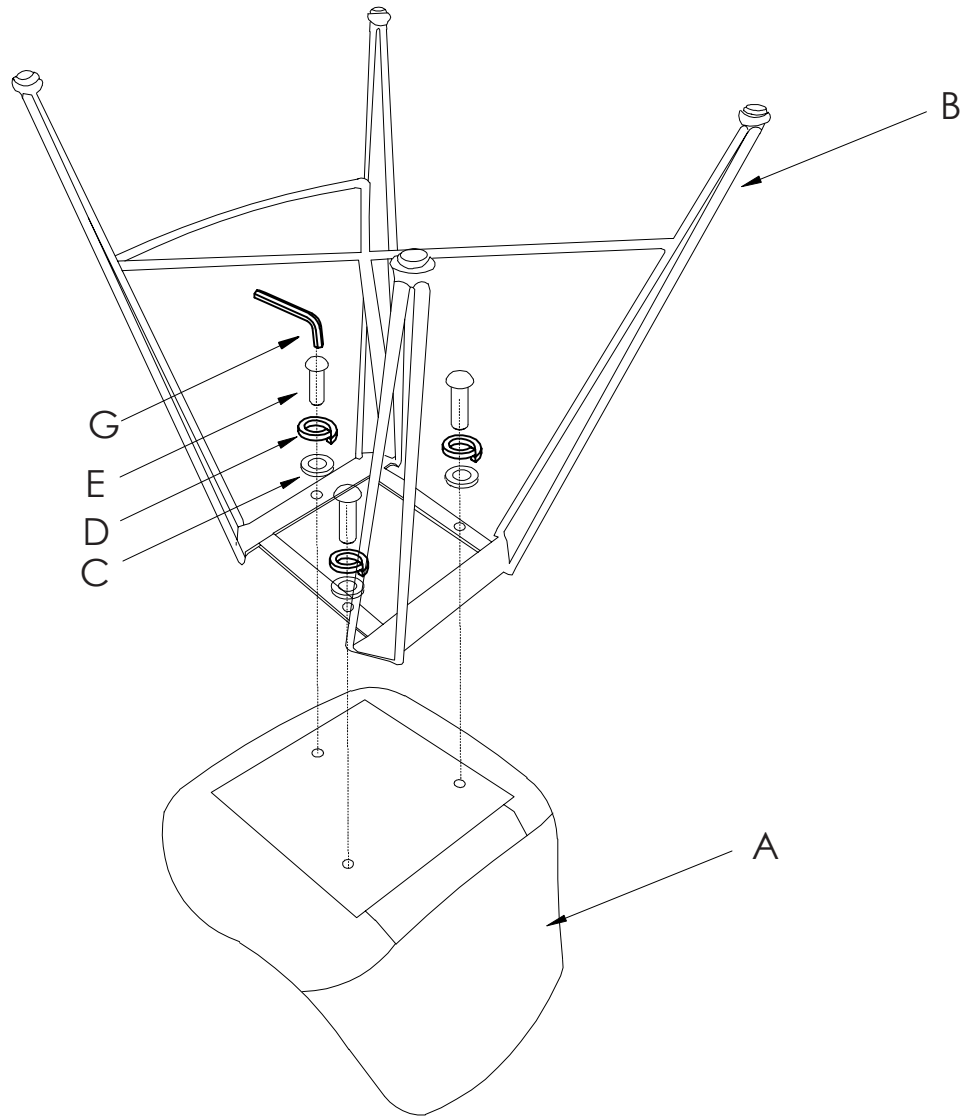
D (3 pcs)



E (3 pcs)
M6-1 x 25mm



G (1 pc)



During assembly, hand tighten screws only. When the screws are in place, tighten completely.