









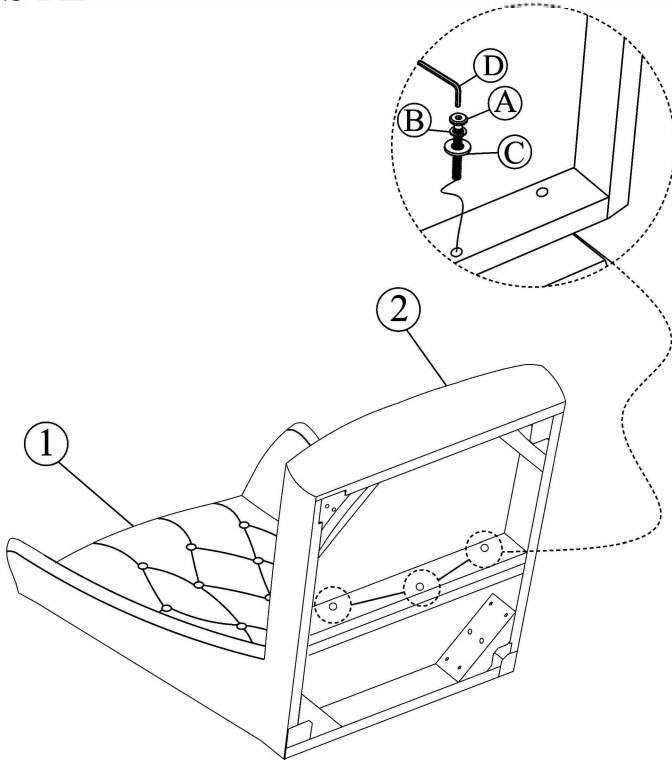
ASSEMBLY INSTRUCTIONS

Description : Side Chair

NO	Parts List	Q'TY
1	CHAIR FRAME 	1PC
2	CUSHION SEAT 	1PC
3	FRONT LEG 	2PCS
4	REAR LEG (L&R) 	2PCS

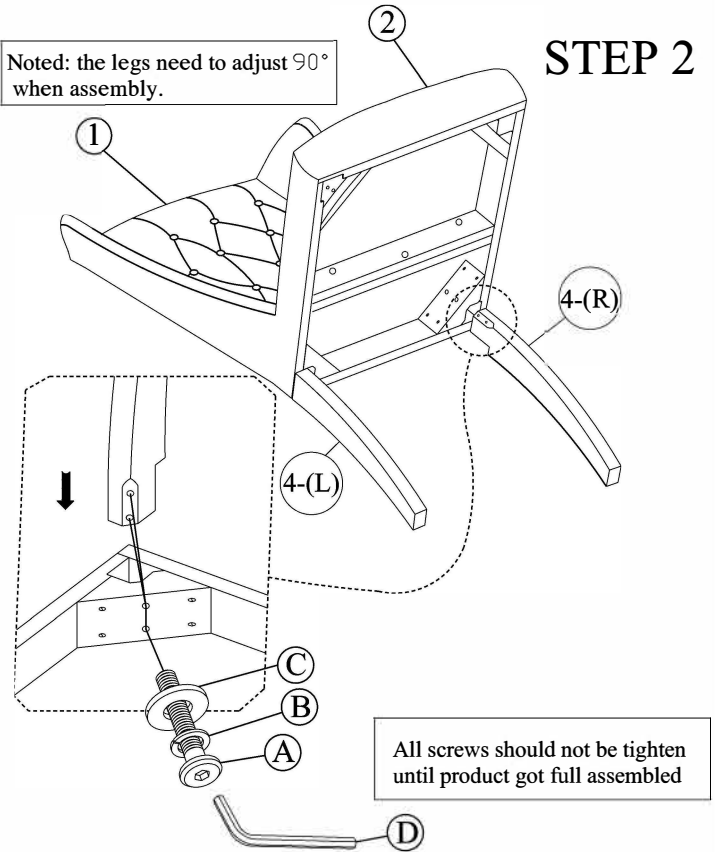
NO	Hardware List	Q'TY
A	BOLT 	Ø1/4" * 45 mm 11PCS
B	LOCK WASHER 	Ø1/4" * 11* 1.5 mm 11PCS
C	WASHER 	Ø1/4" * 22 *2 mm 11 PCS
D	ALLEN KEY 	58 * 4mm 1PC

STEP 1

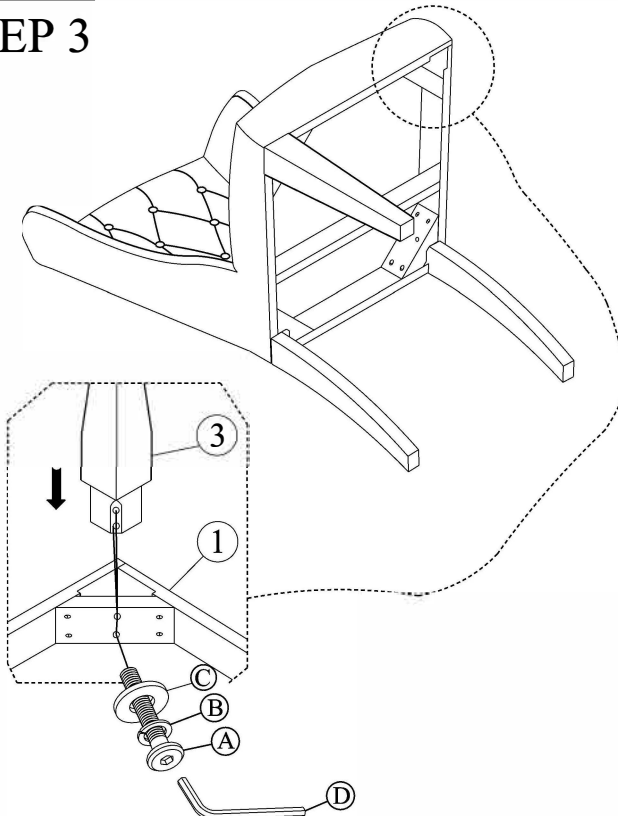


STEP 2

Noted: the legs need to adjust 90° when assembly.



STEP 3



FINISH

