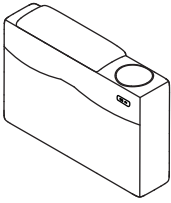
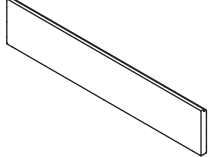
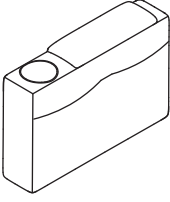
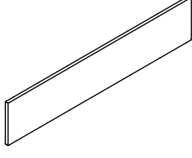
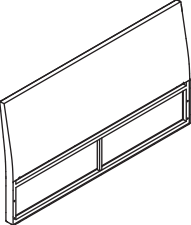
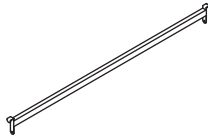
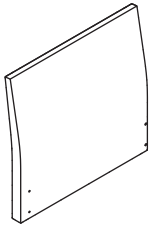
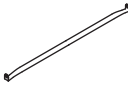
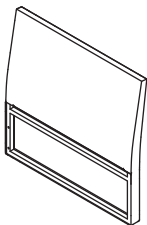
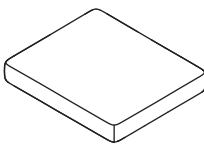
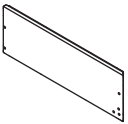
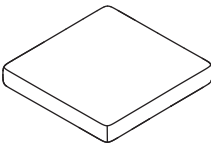
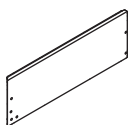
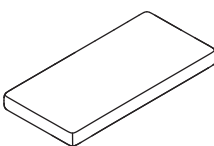
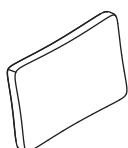
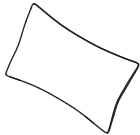

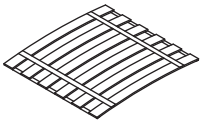
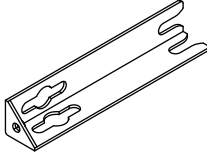
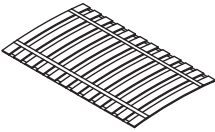

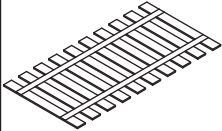
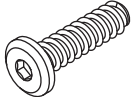
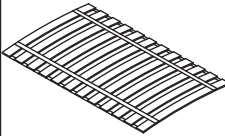
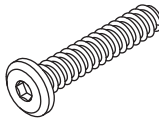
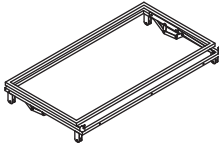



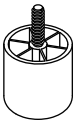

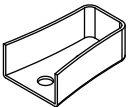
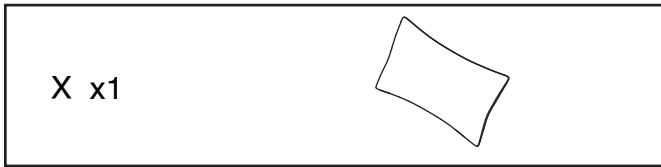
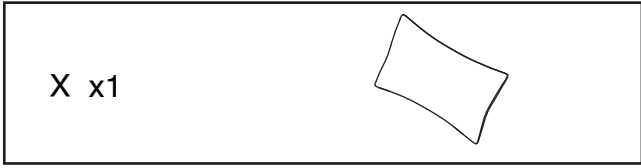
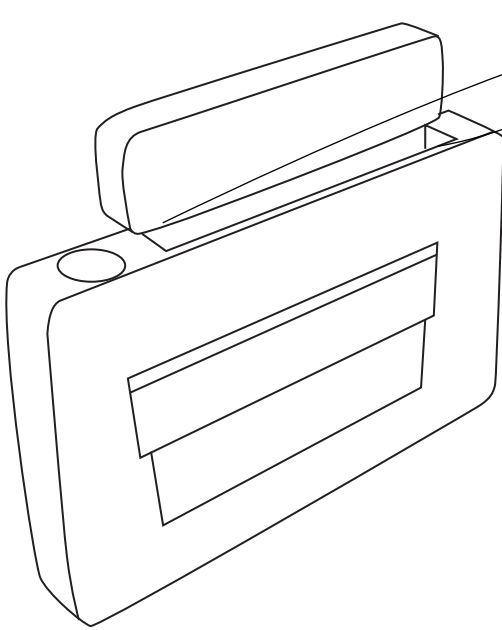
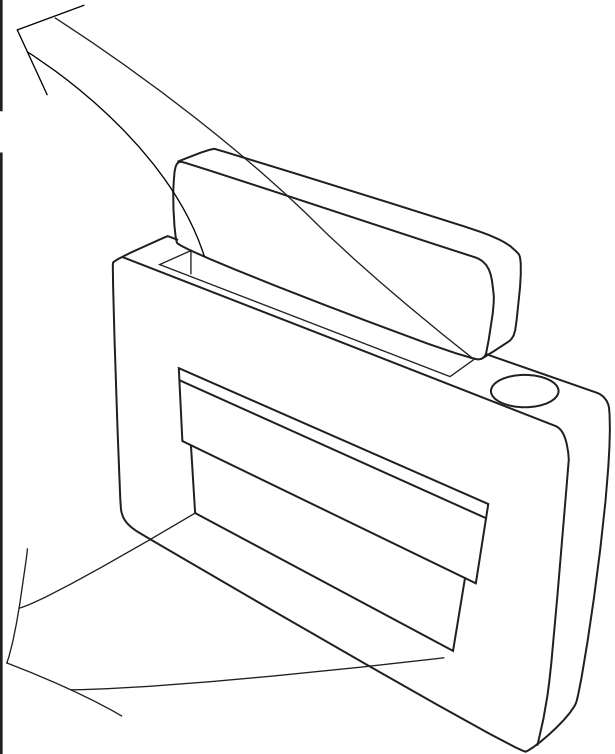


Part NO.	Part Image	Part Name	QTY	Part NO.	Part Image	Part Name	QTY
A		Right Armrest	1	I		Front Panel of 2 Seater	1
B		Left Armrest	1	J		Front Panel of Pullout Seater	1
C		2-seater Backrest	2	K		Connect Metal of Pull Out Seater	1
D		Corner Backrest	1	L		Connect Metal	1
E		Corner Backrest	1	U3		Seat Cushion	4
G		Panel of Corner	1	U4		Corner Seat Cushion	1
H		Panel of Corner	1	U2		Pull Out Bed Seat Cushion	1
				W		Back Cushion	6

Part NO.	Part Image	Part Name	QTY	Part NO.	Part Image	Part Name	QTY
X		Armrest Pillow	2	A4		Pull Out Bed Wheel	2
T1		Corner Slat Structure	1	A5		Connect Iron	10
T2		67cm Slat Structure	1	A6		Screw M4*10	4
T3		Pull out Bed Slat Structure	1	A7		Screw M6*20	50
T4		71cm Slat Structure	1	A8		Screw M6*40	3
Y		Pull Out Bed Metal Frame	1	A10		Power Cord	1
A1		Draw String	1	A11		M6 Allen Key	1
A2		Leg	8	A14		M2.5 Allen Key	1
A3		Limit Device	2				



A1 X 1		A3 X 2	
A2 X 8		A4 X 2	
A5 X 10		A7 X 50	 M6*20
A6 X 4	 M4*10	A8 X 3	 M6*40
A11 X 1	 M6	A14 X 1	 M2.5
A10 X 1			

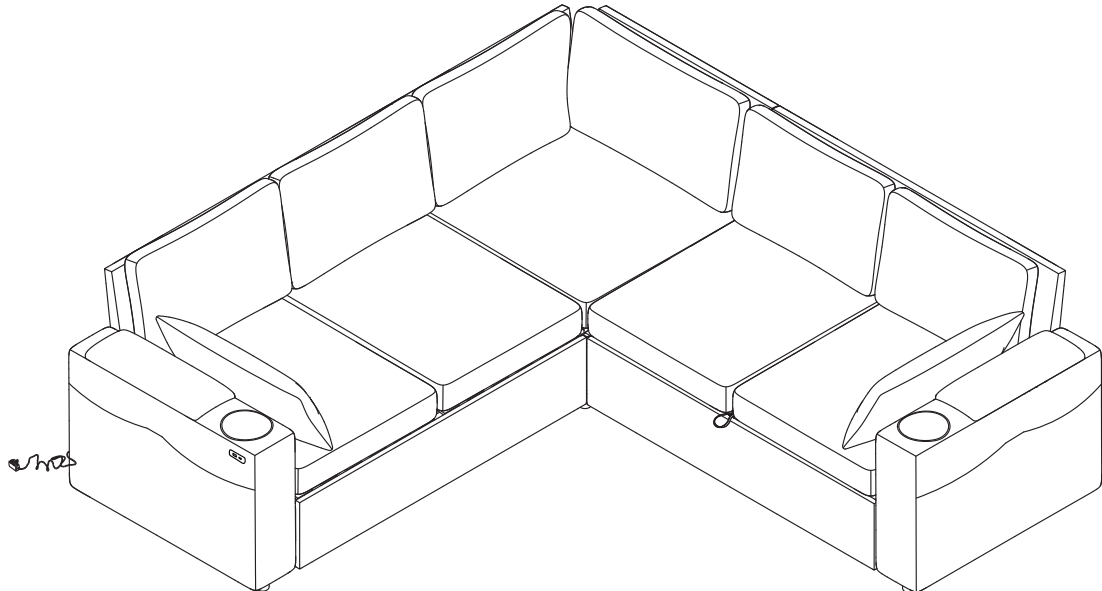


CATALOG

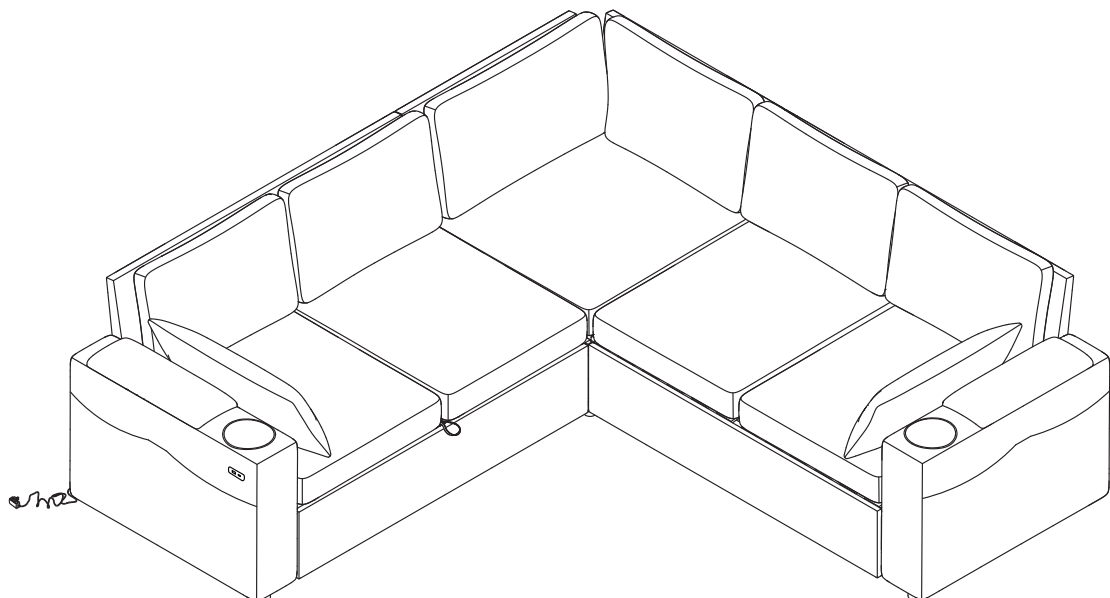
2 Types Assembly Combination

Please choose one assembly combination first,
then check corresponding page for assembling

1

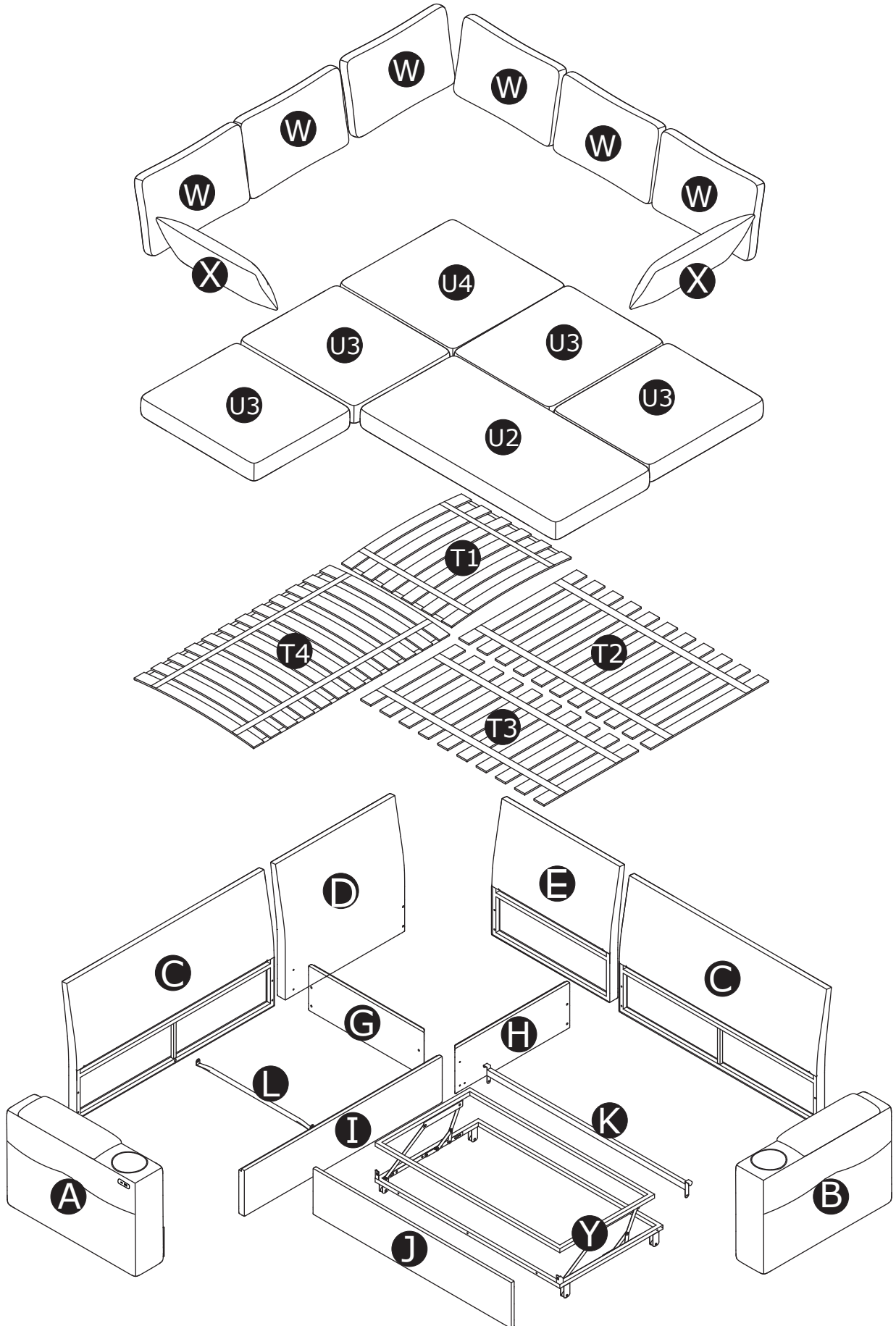


2



**WARM TIPS: SOME PARTS ARE INSIDE 2 ARMRESTS
PLEASE TAKE THEM FROM ARMREST BEFORE YOU ASSEMBLE THE SOFA**

1 Sofa Overall Assembly Drawing

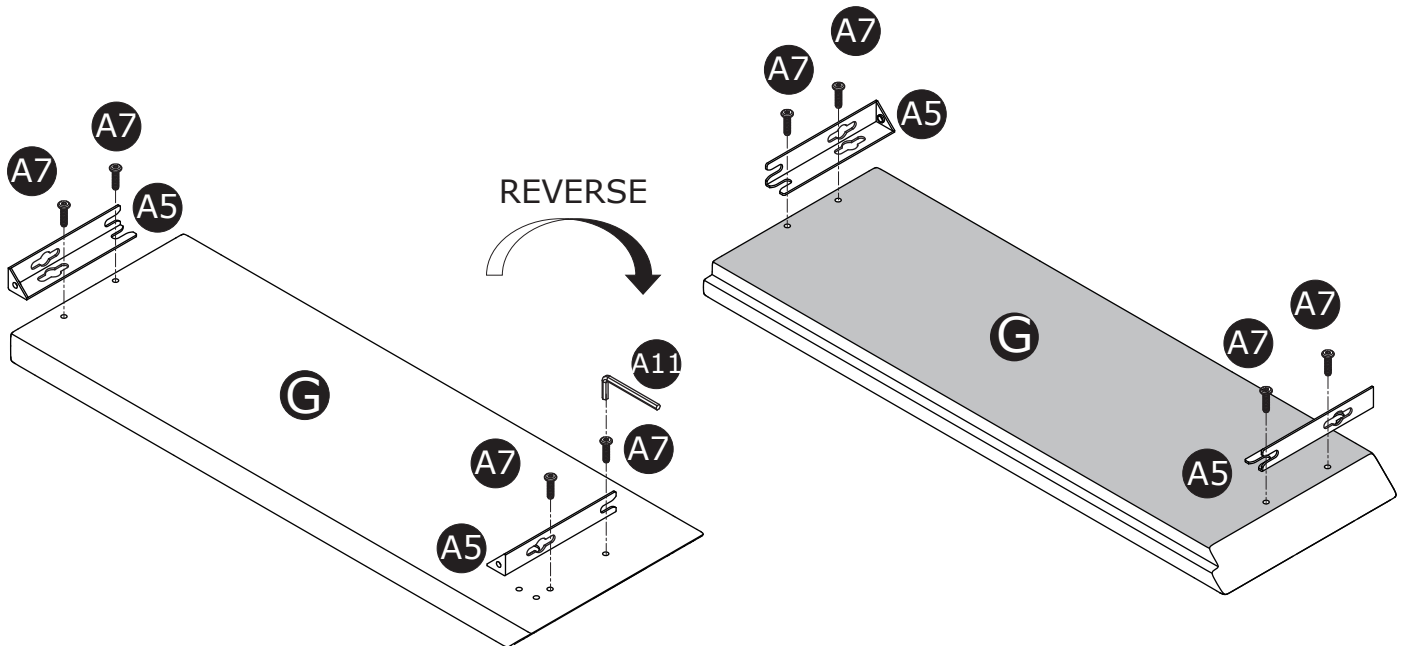


some parts are inside the armrest, please take them out

STEP 1

A5 x4

A7 x8

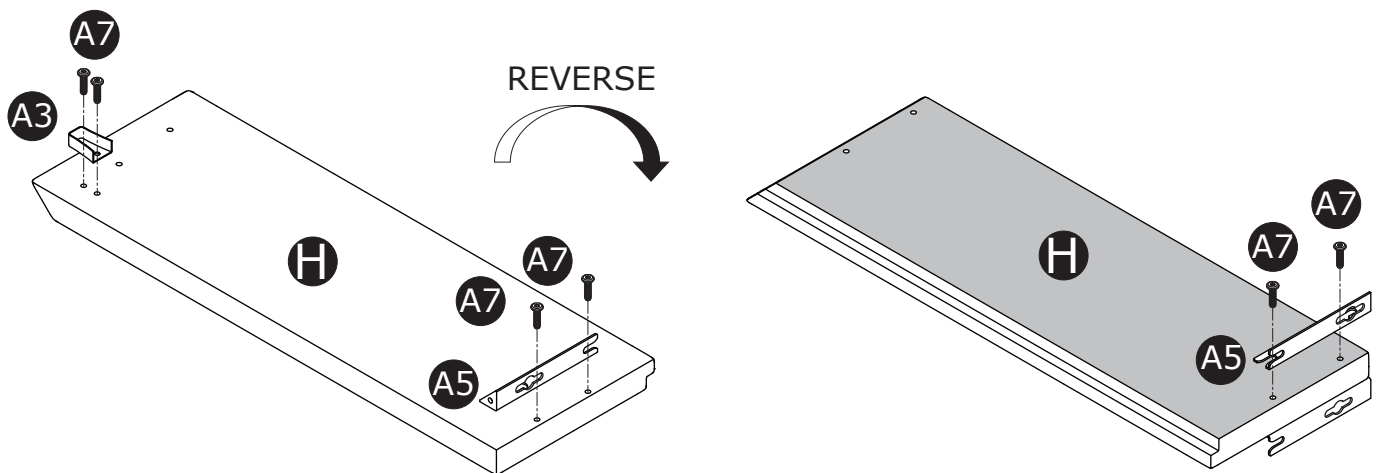


STEP 2

A3 x1

A5 x2

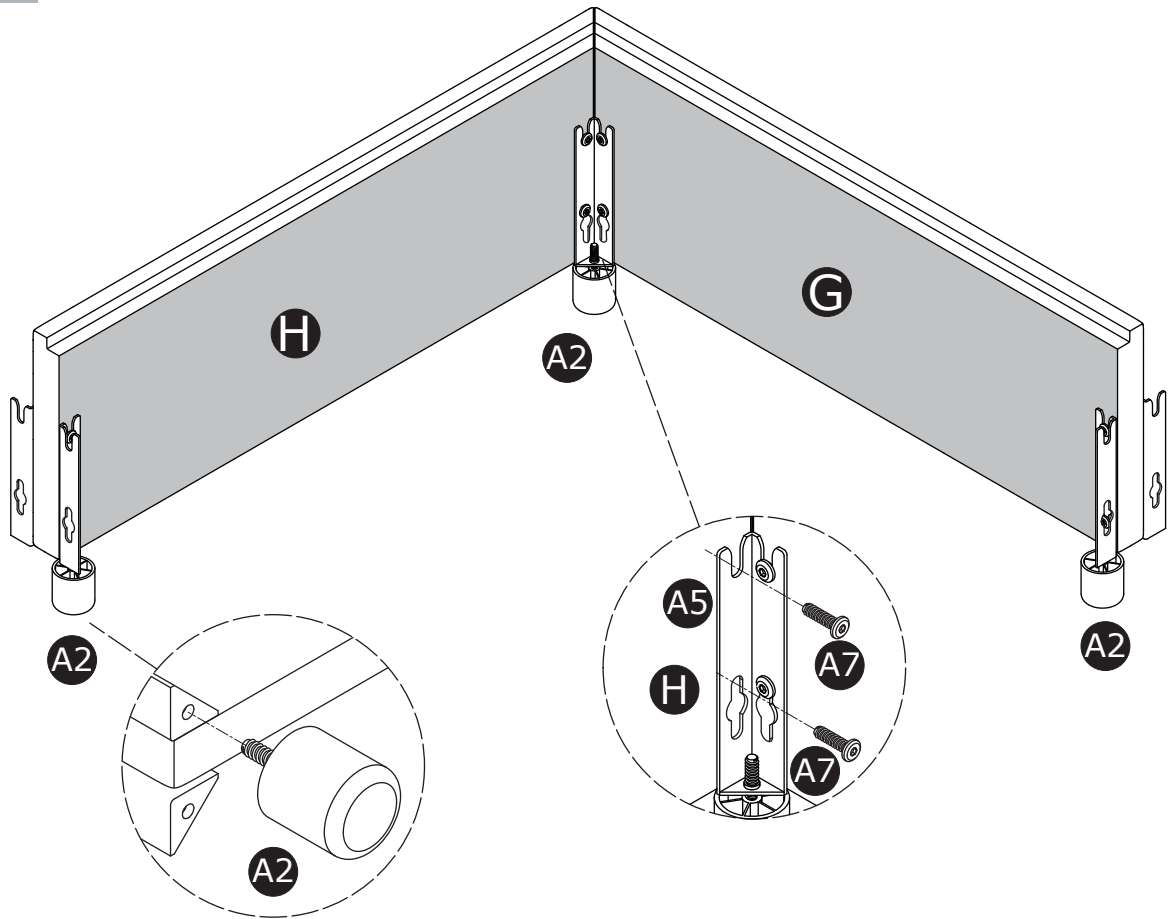
A7 x6



STEP 3

A2 x3

A7 x2

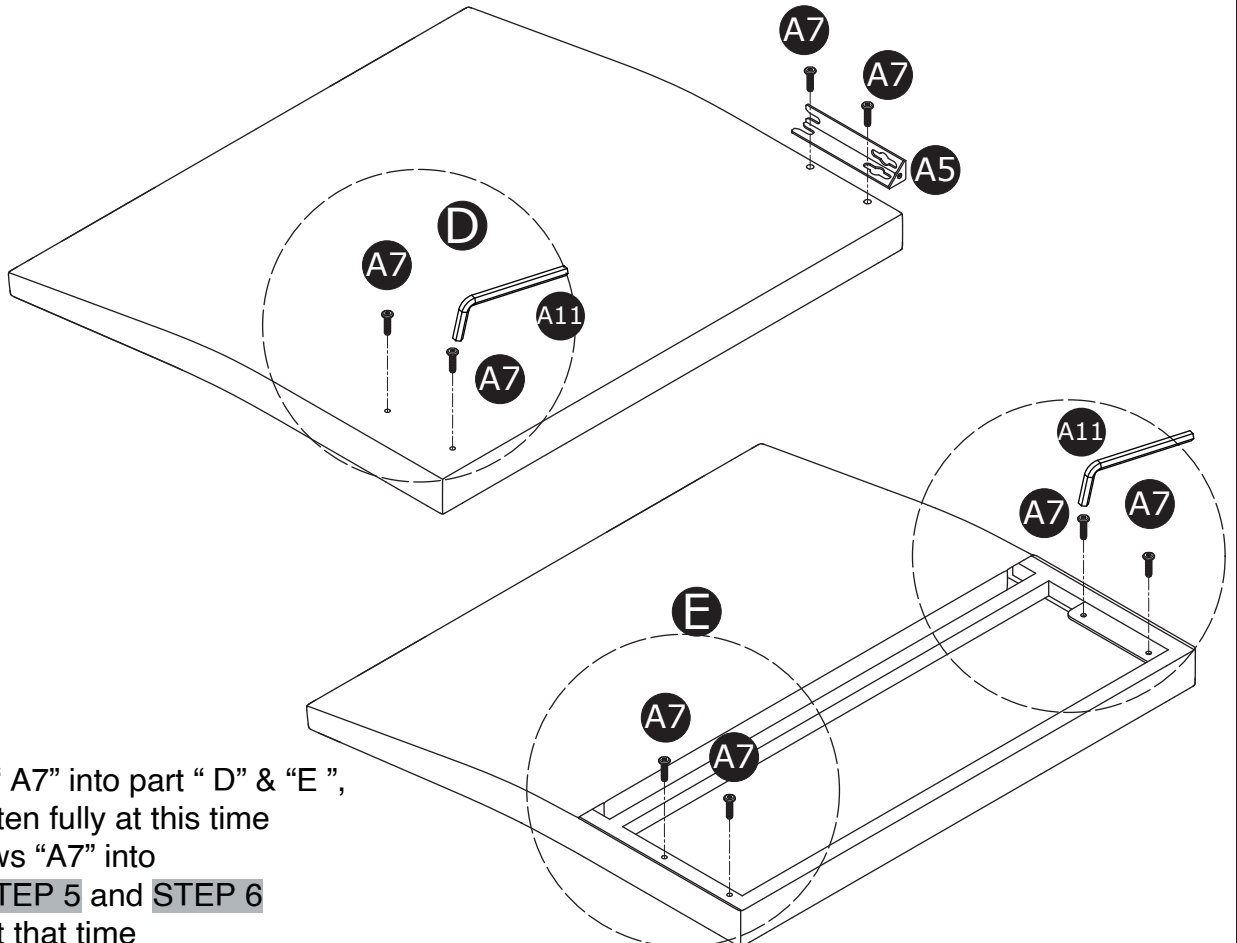


Tighten these 2 screws "A7" fully

STEP 4

A5 x1

A7 x8

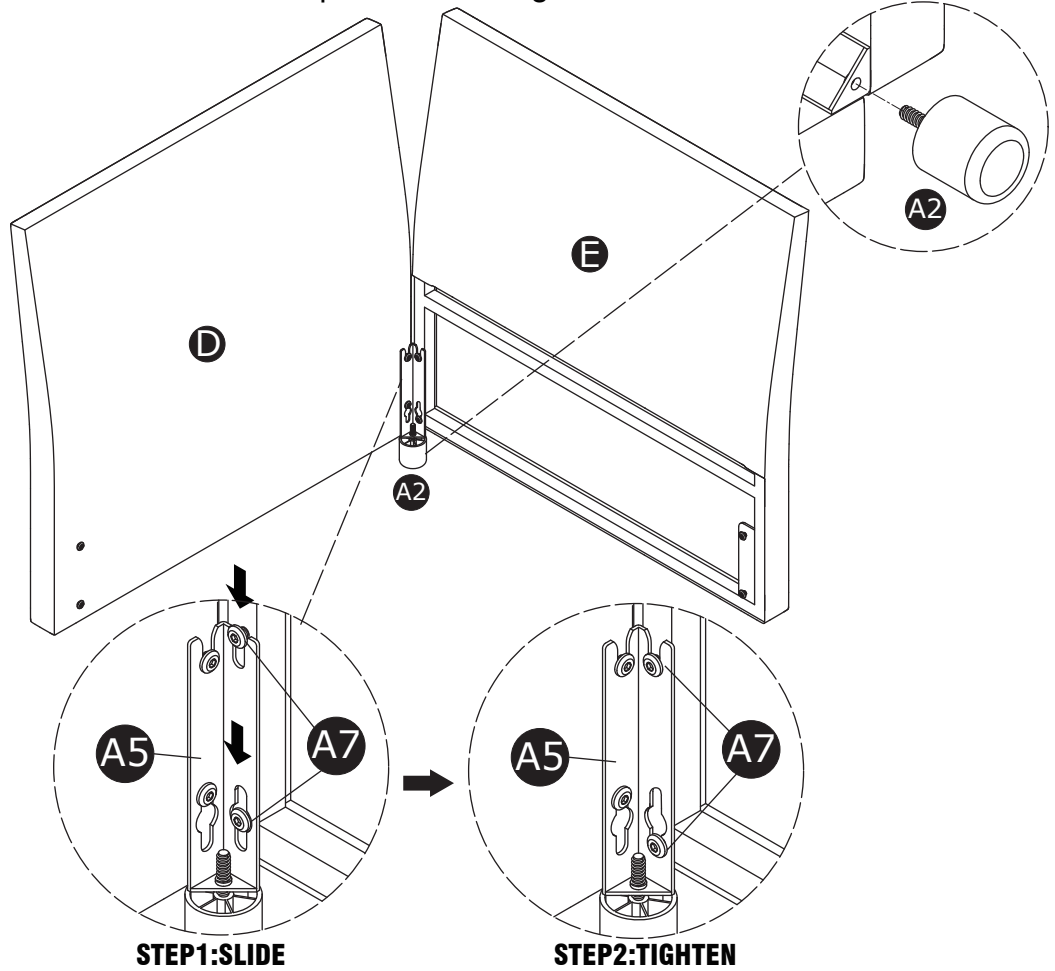


Insert screws "A7" into part "D" & "E",
but do not tighten fully at this time
Slide the screws "A7" into
part "A5" on **STEP 5** and **STEP 6**
tighten them at that time

STEP 5

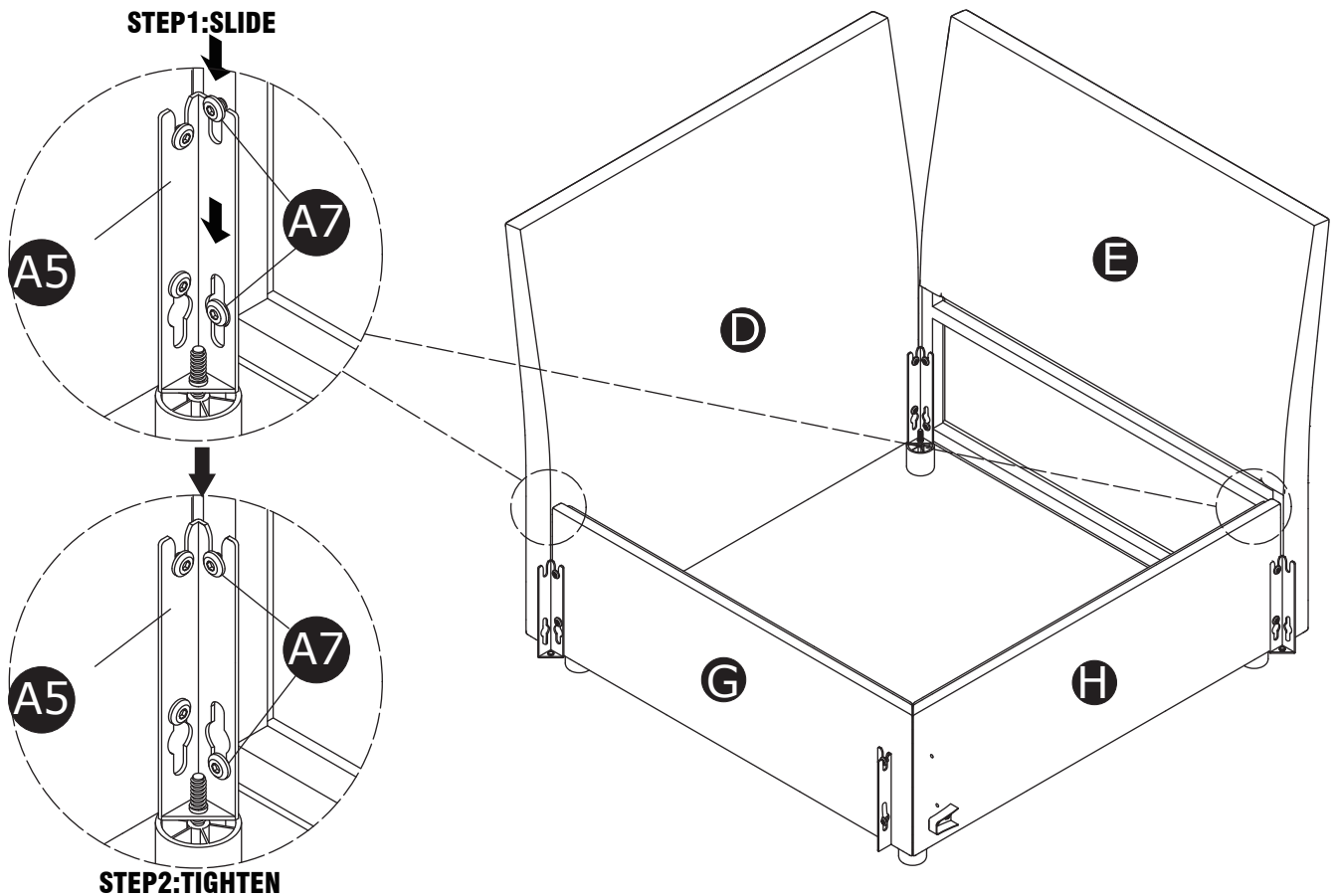
Slide the screws "A7" into part "A5" and tighten them at this time

A2 x1



STEP 6

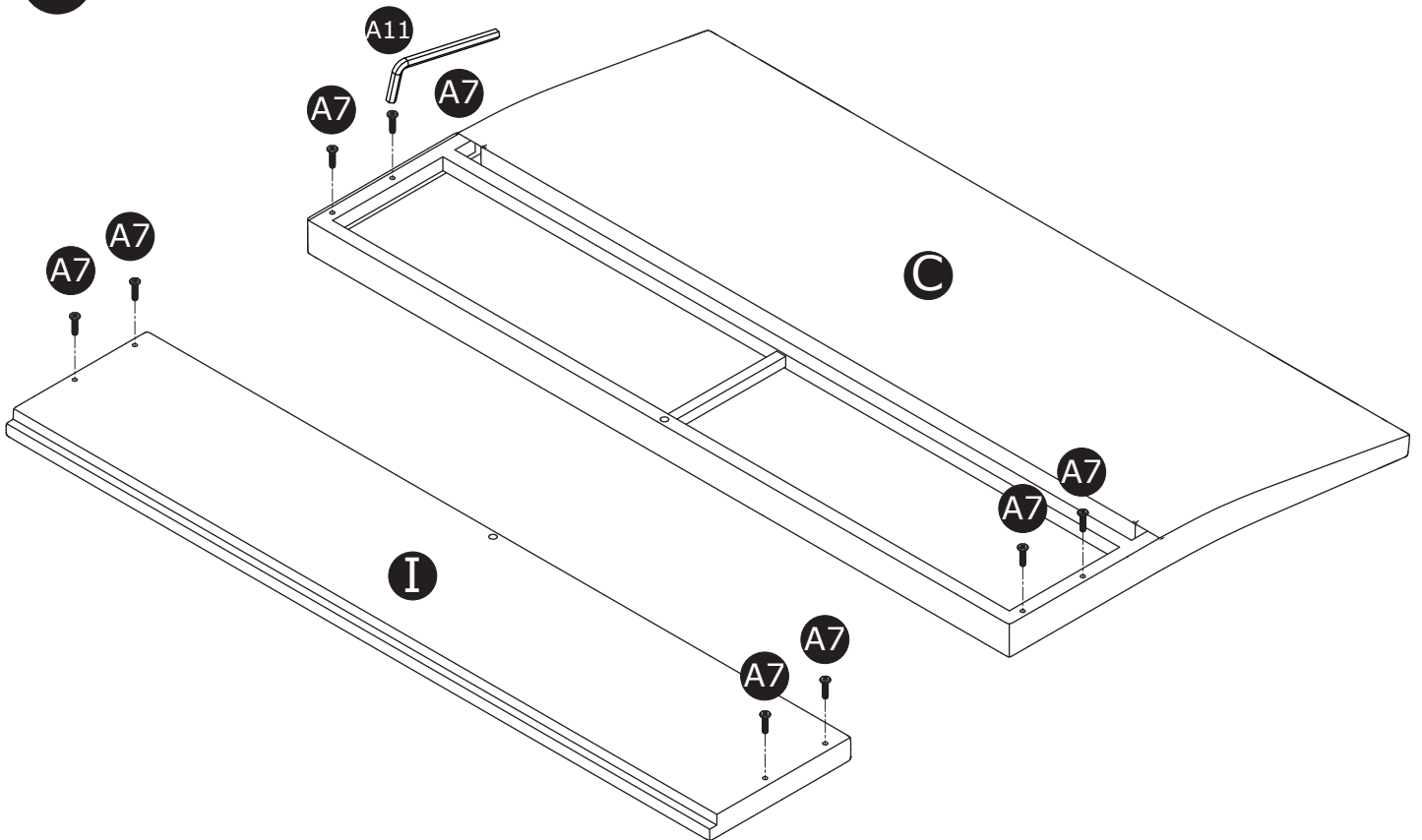
Slide the screws "A7" into inside part "A5" and tighten them at this time



STEP 7

Insert screws "A7" into part "C" & "I", but do not tighten fully at this time
Slide the screws "A7" into part "A5" on **STEP 9** and tighten them at that time

A7 x8

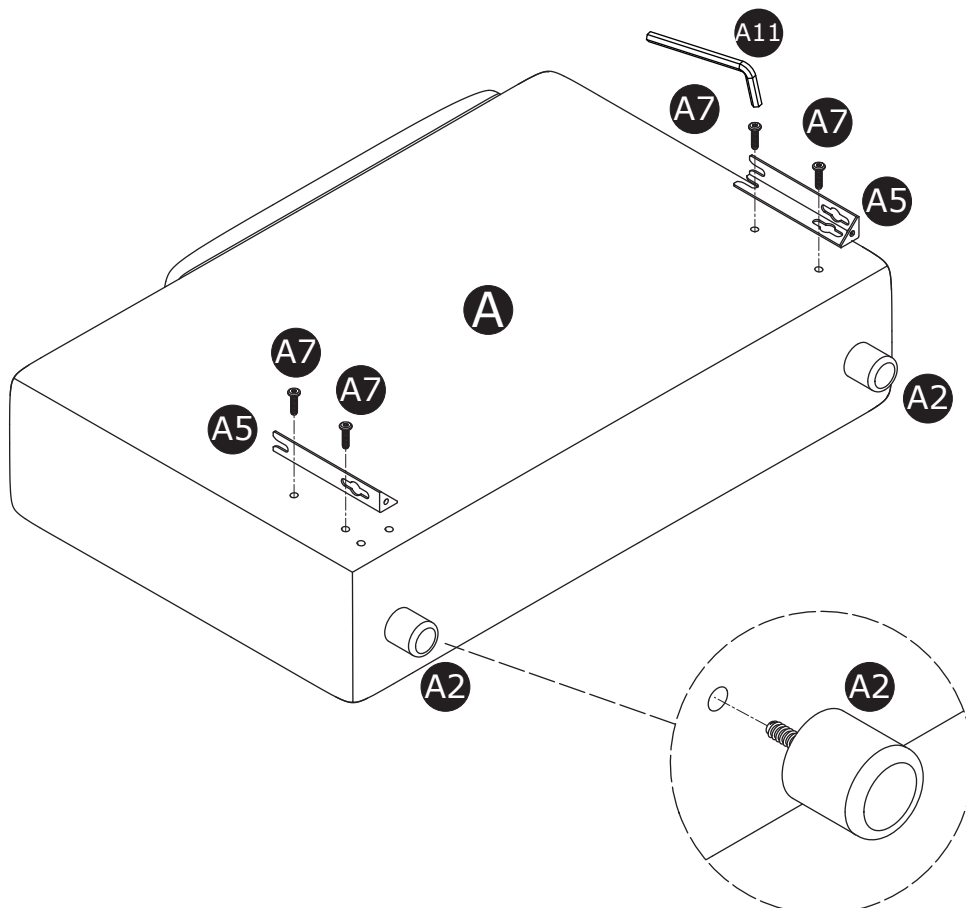


STEP 8

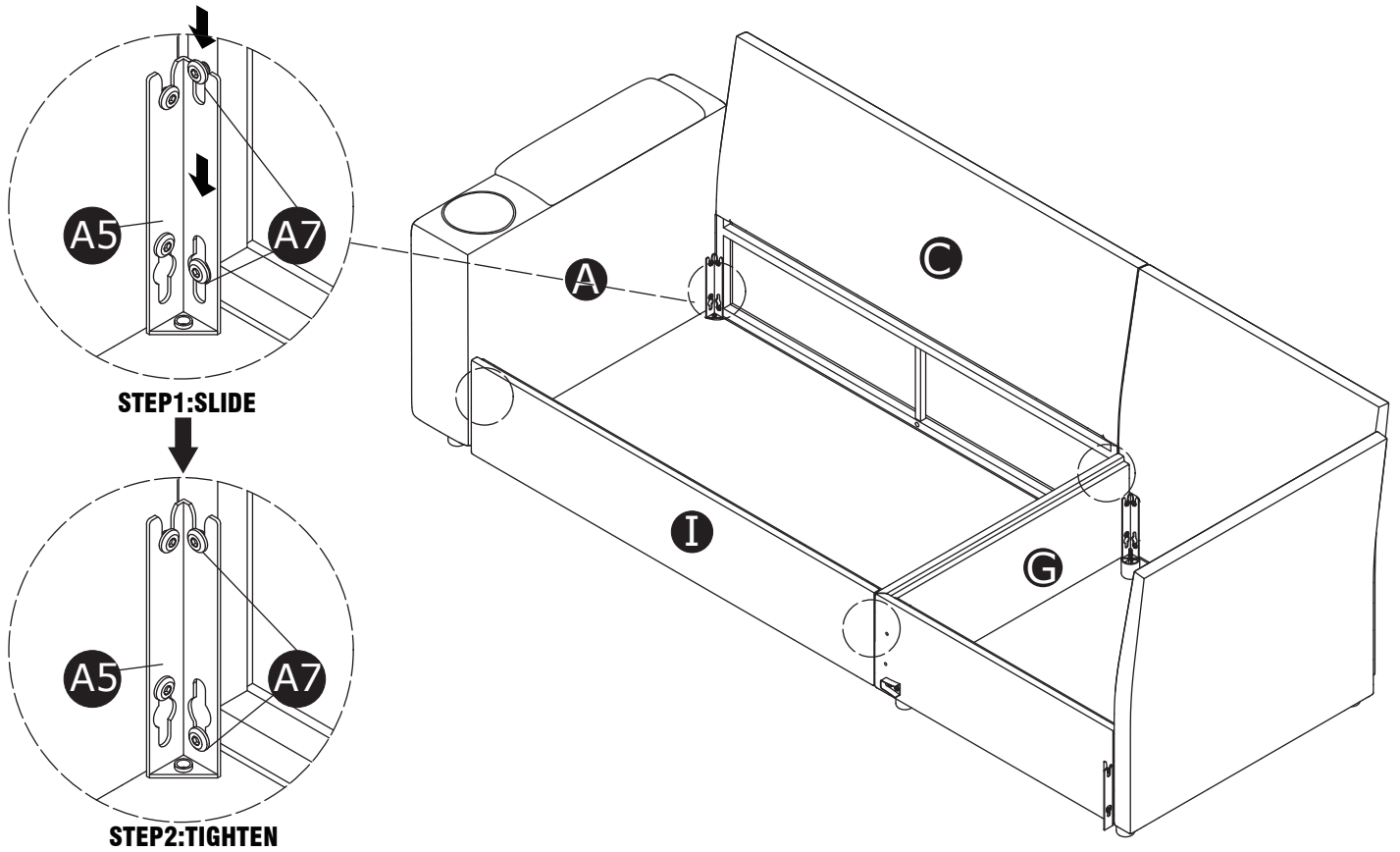
A2 x2

A5 x2

A7 x4



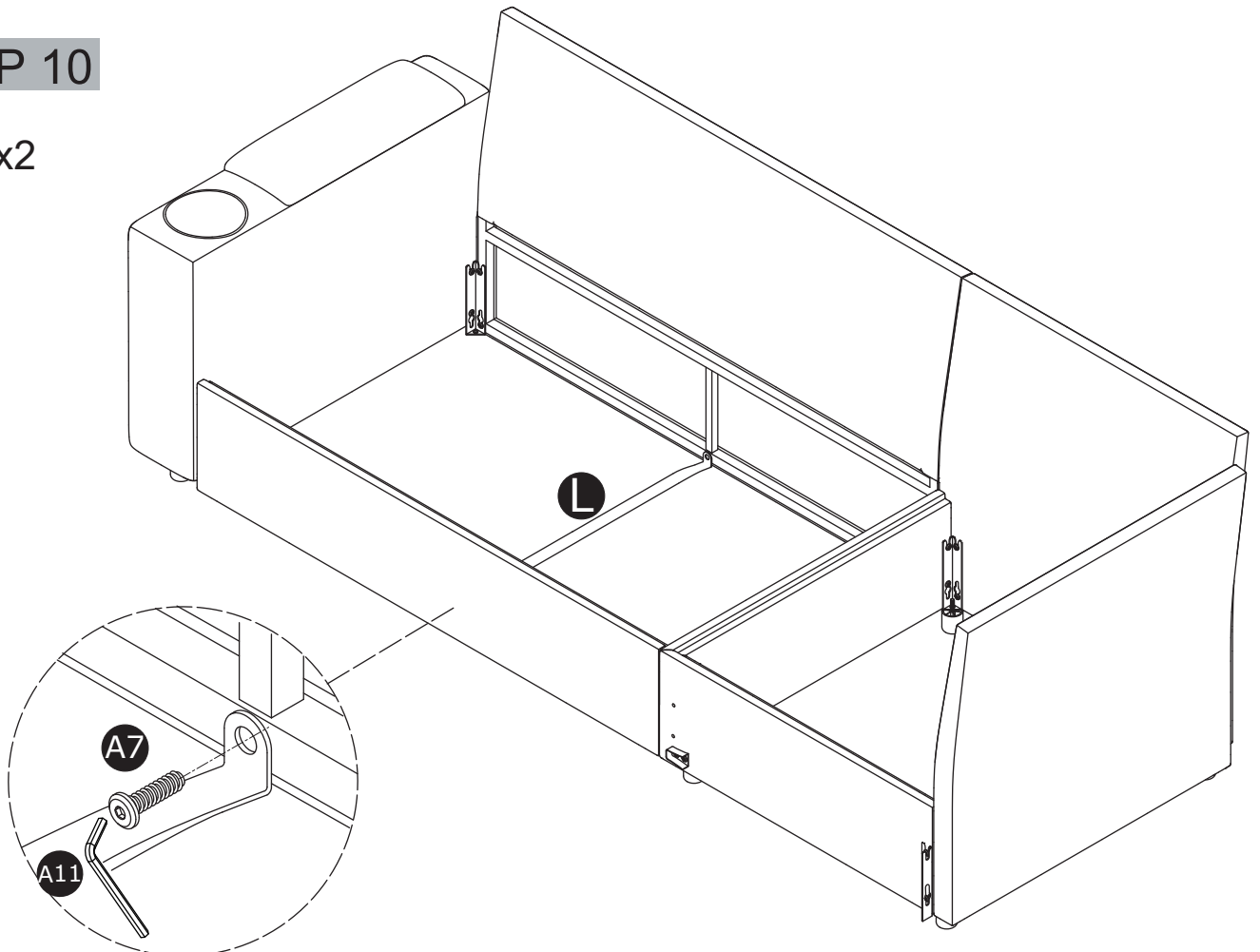
STEP 9



Slide the screws "A7" into part "A5" and tighten them at this time
WARM TIPS: if you feel hard to assemble C & I, please loosen the screws on Part G

STEP 10

A7 x2



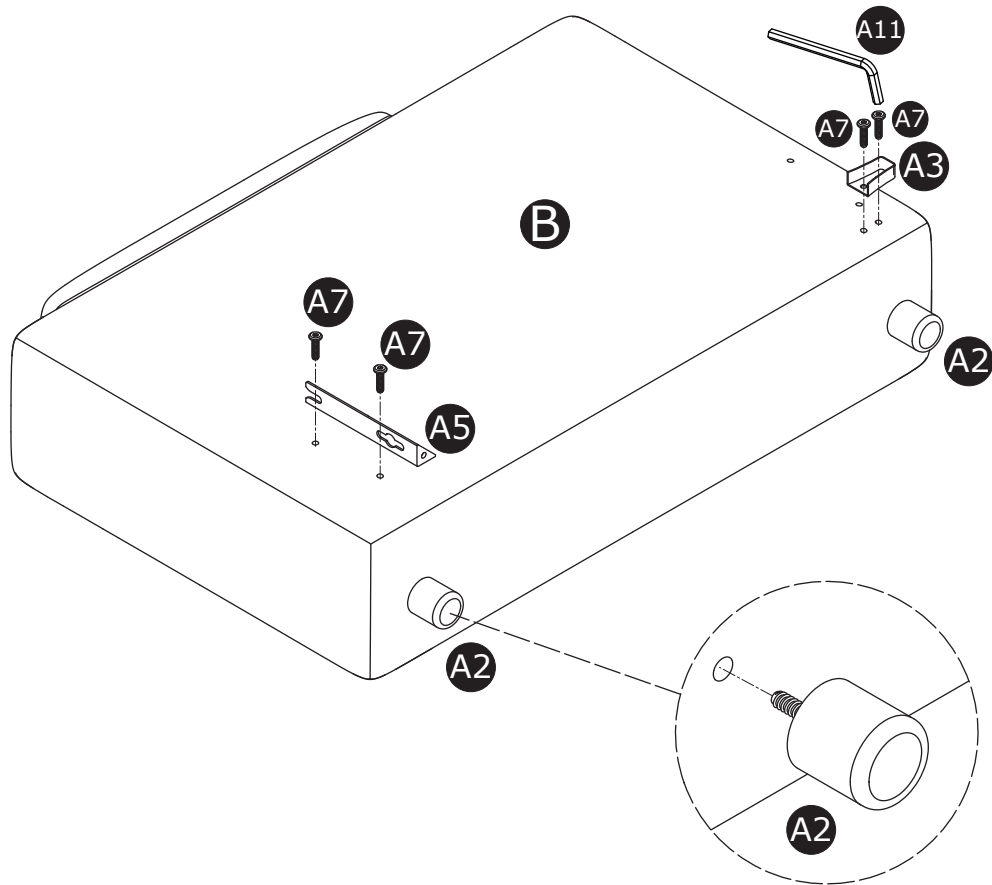
STEP 11

A2 x2

A3 x1

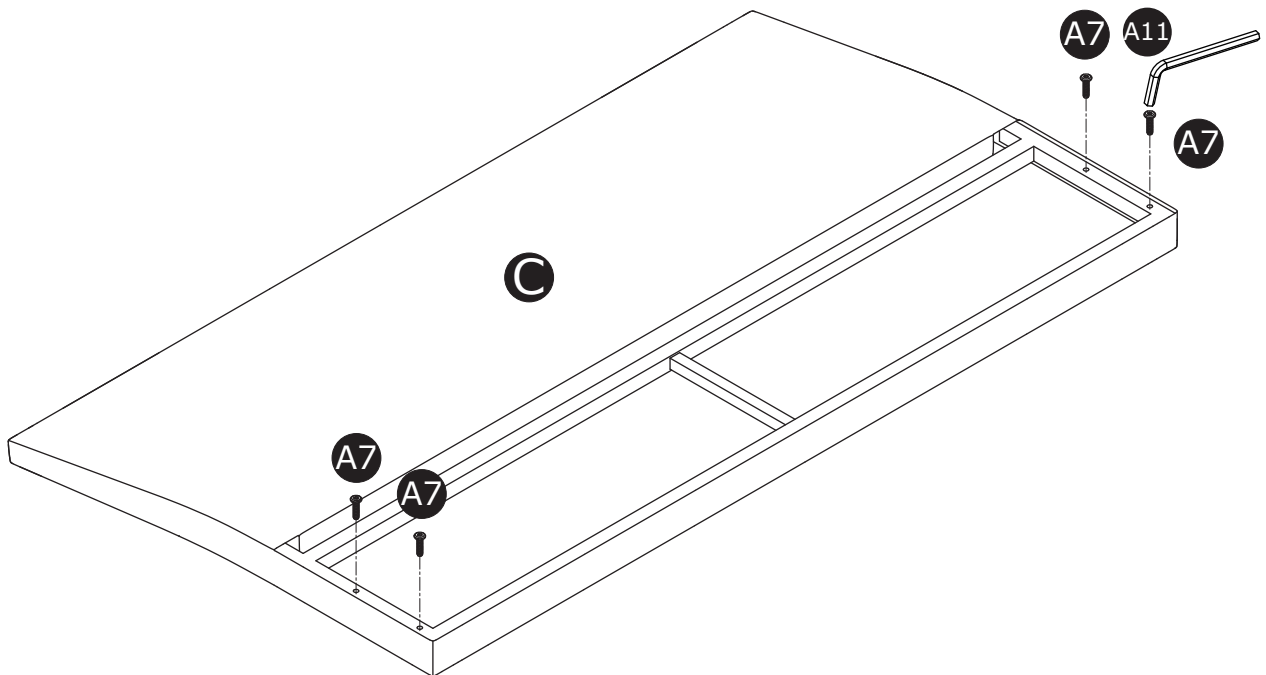
A5 x1

A7 x4



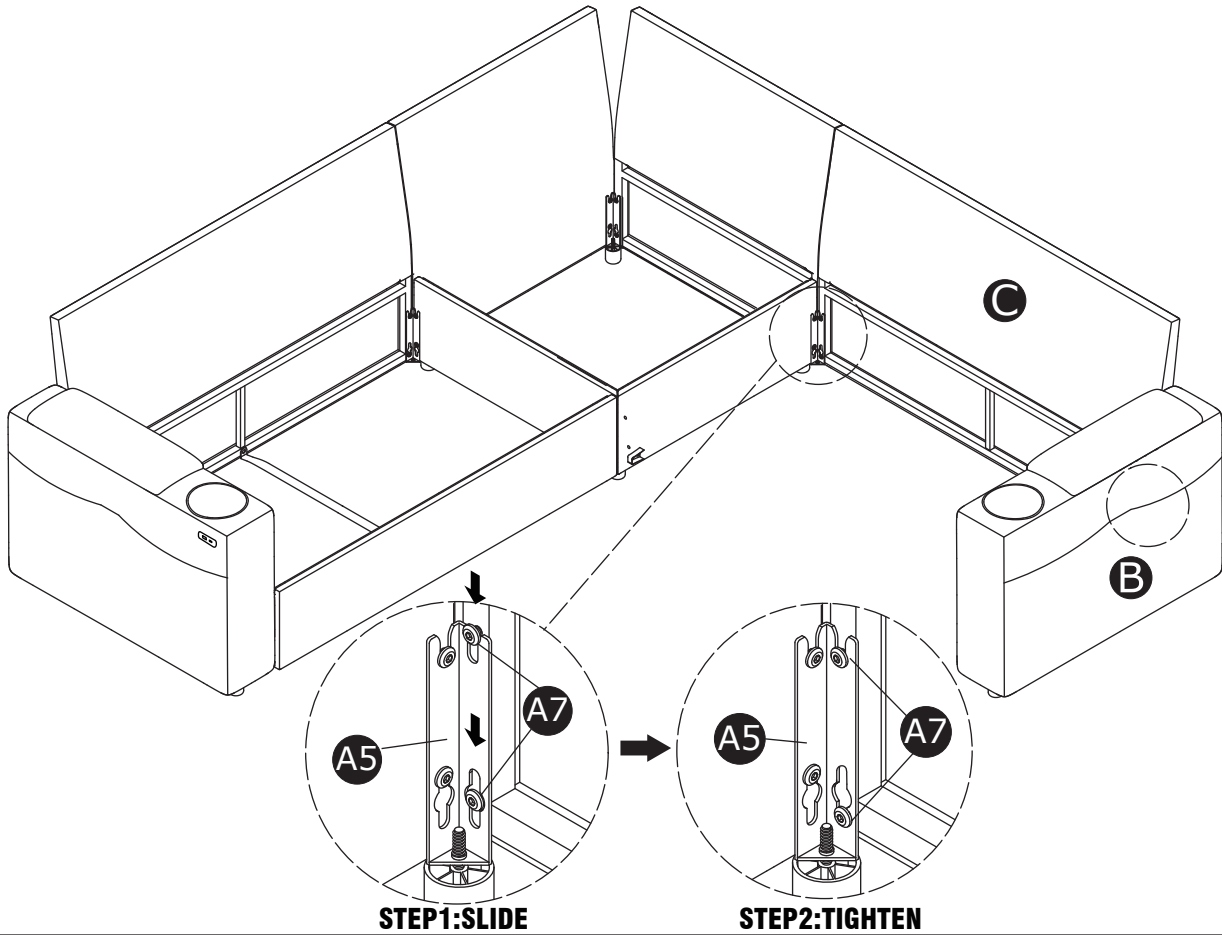
STEP 12

A7 x4



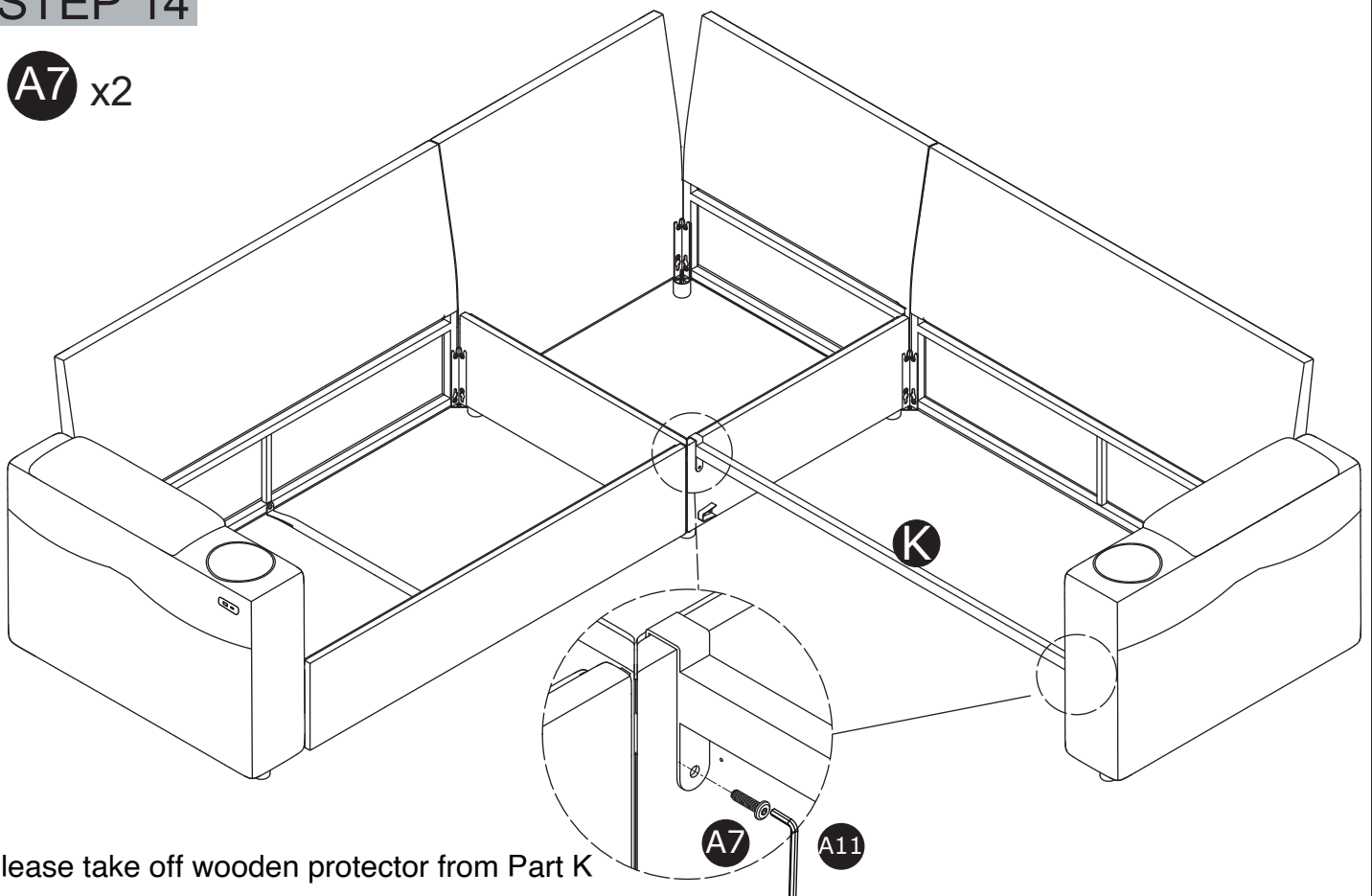
Insert screws "A7" into part "C", but do not tighten fully at this time
Slide the screws "A7" into part "A5" on STEP 13 and tighten them at that time

STEP 13 Slide the screws "A7" into part "A5" and tighten them at this time
WARM TIPS: if you feel hard to assemble Part C , please loosen the screws on Part B



STEP 14

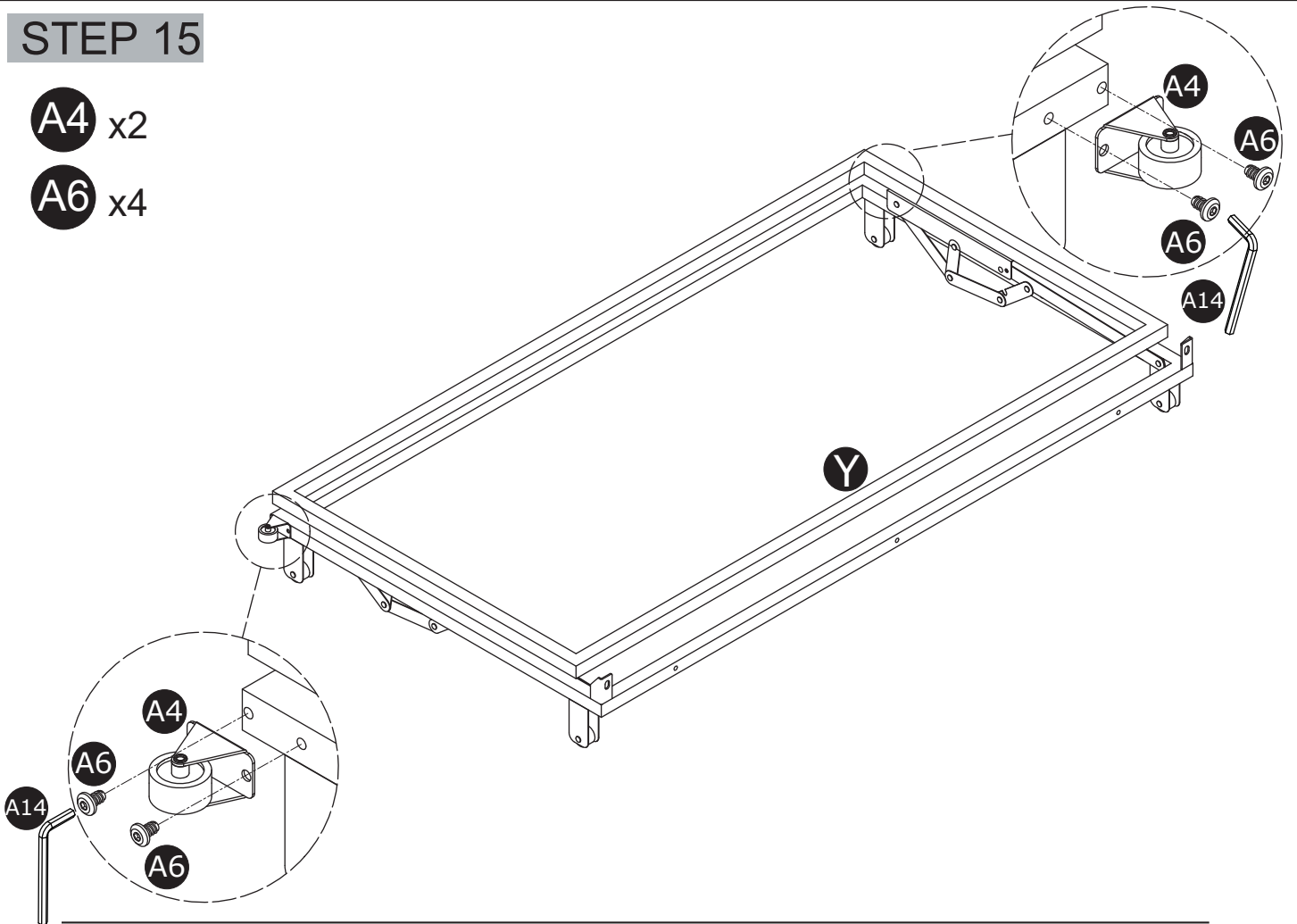
A7 x2



STEP 15

A4 x2

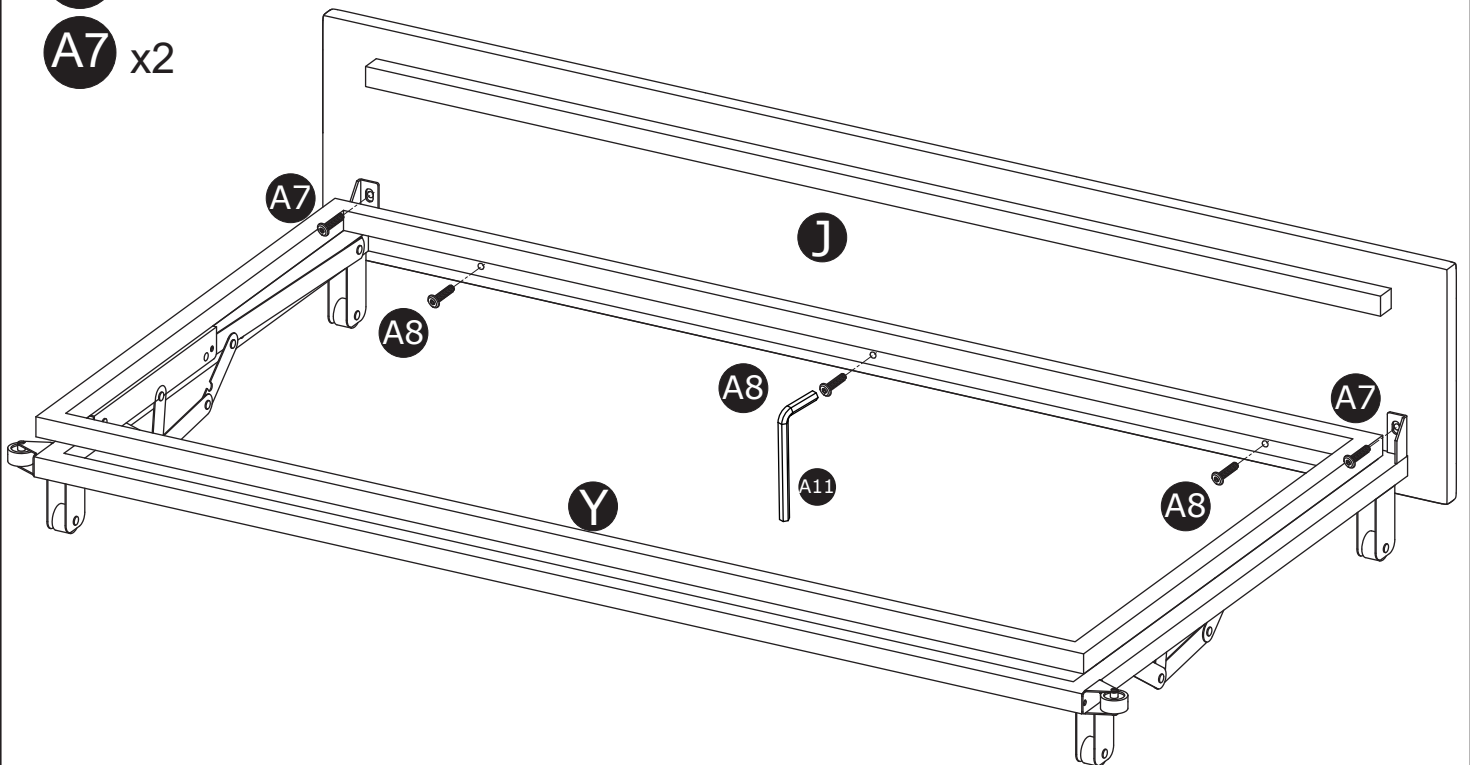
A6 x4



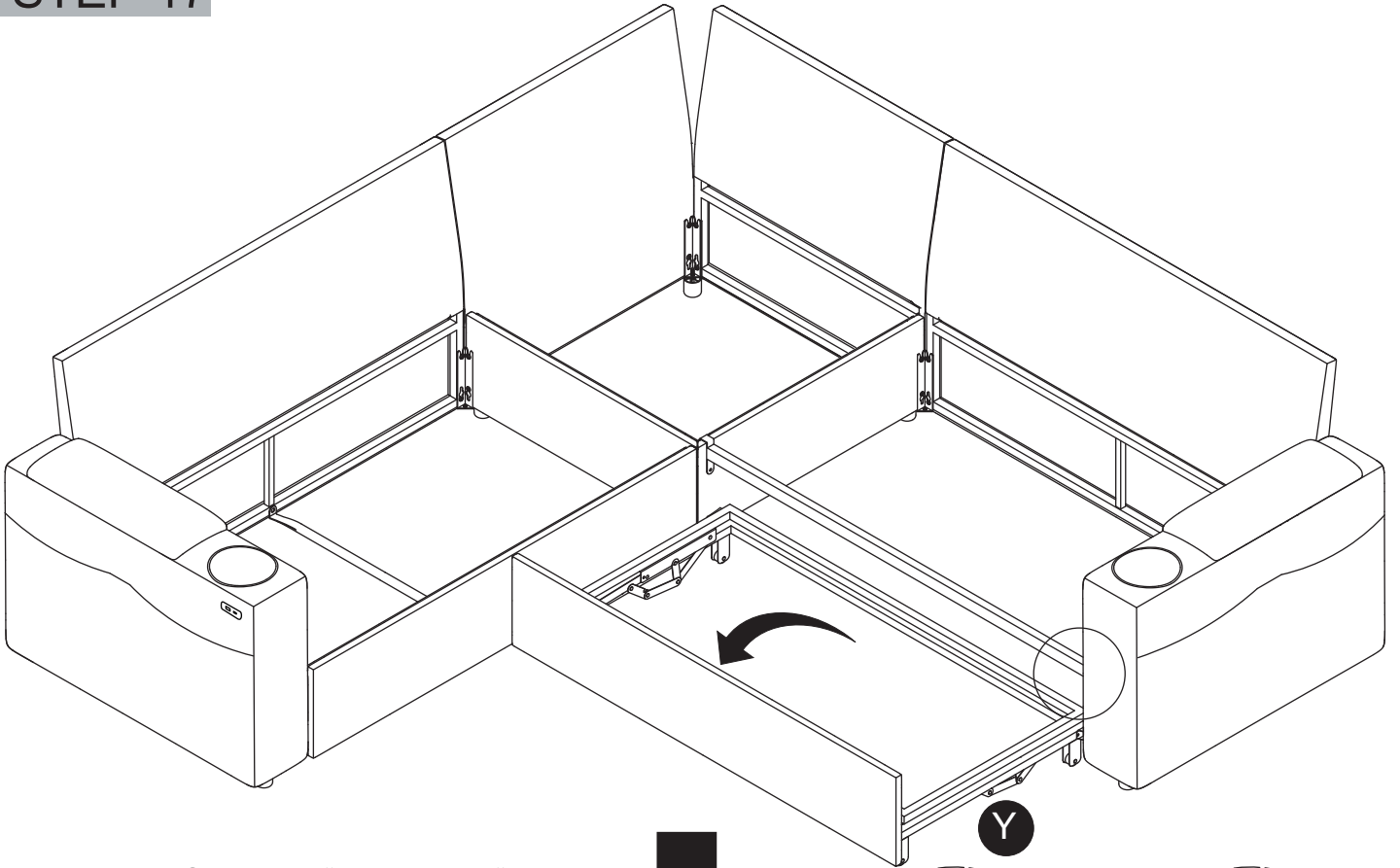
STEP 16

A8 x3

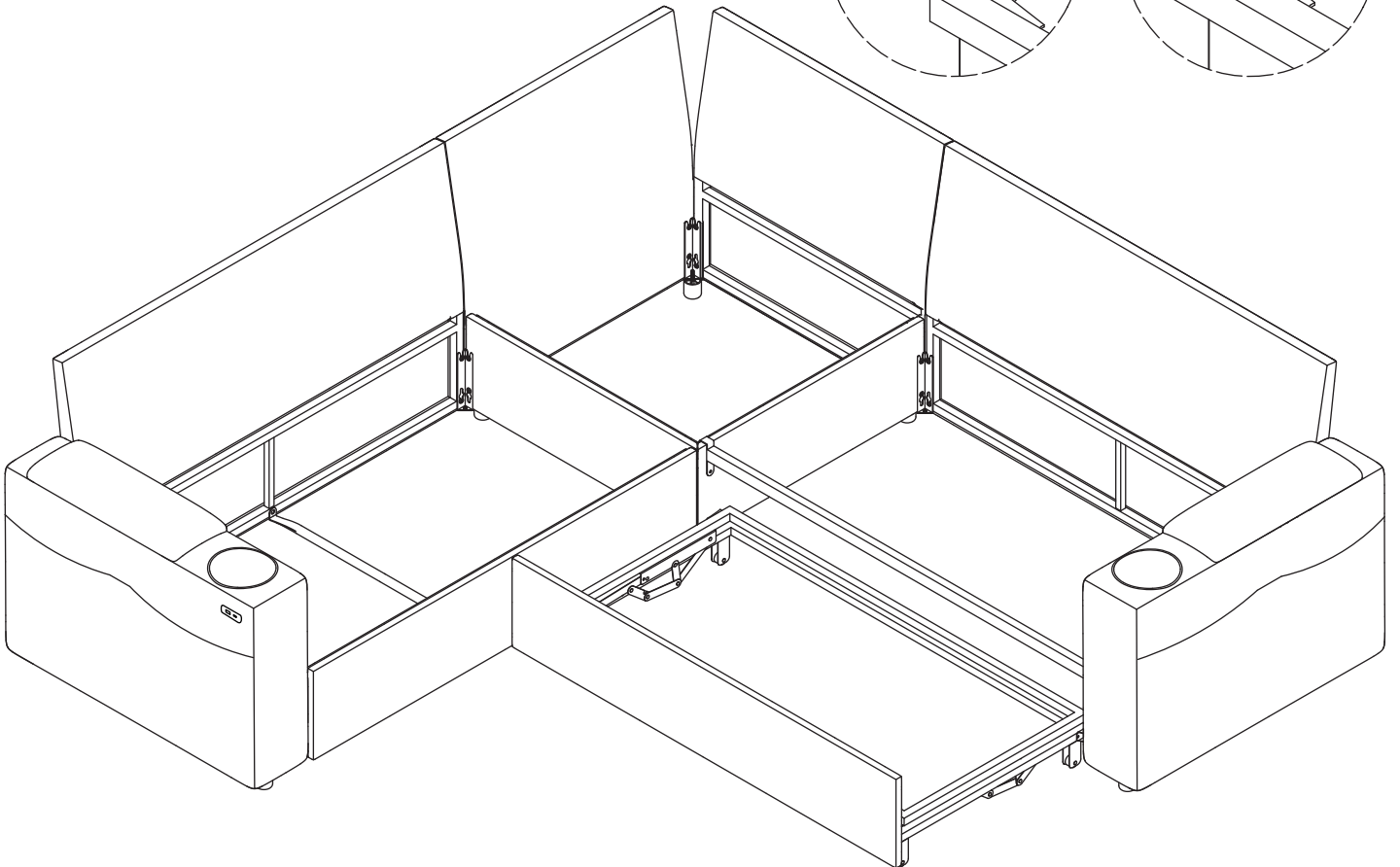
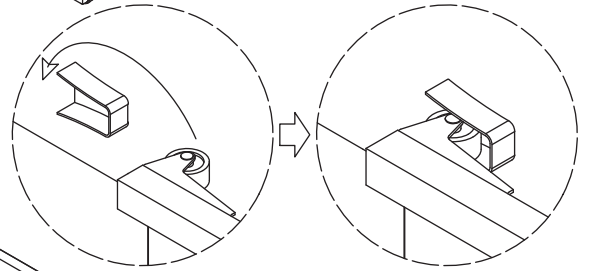
A7 x2



STEP 17

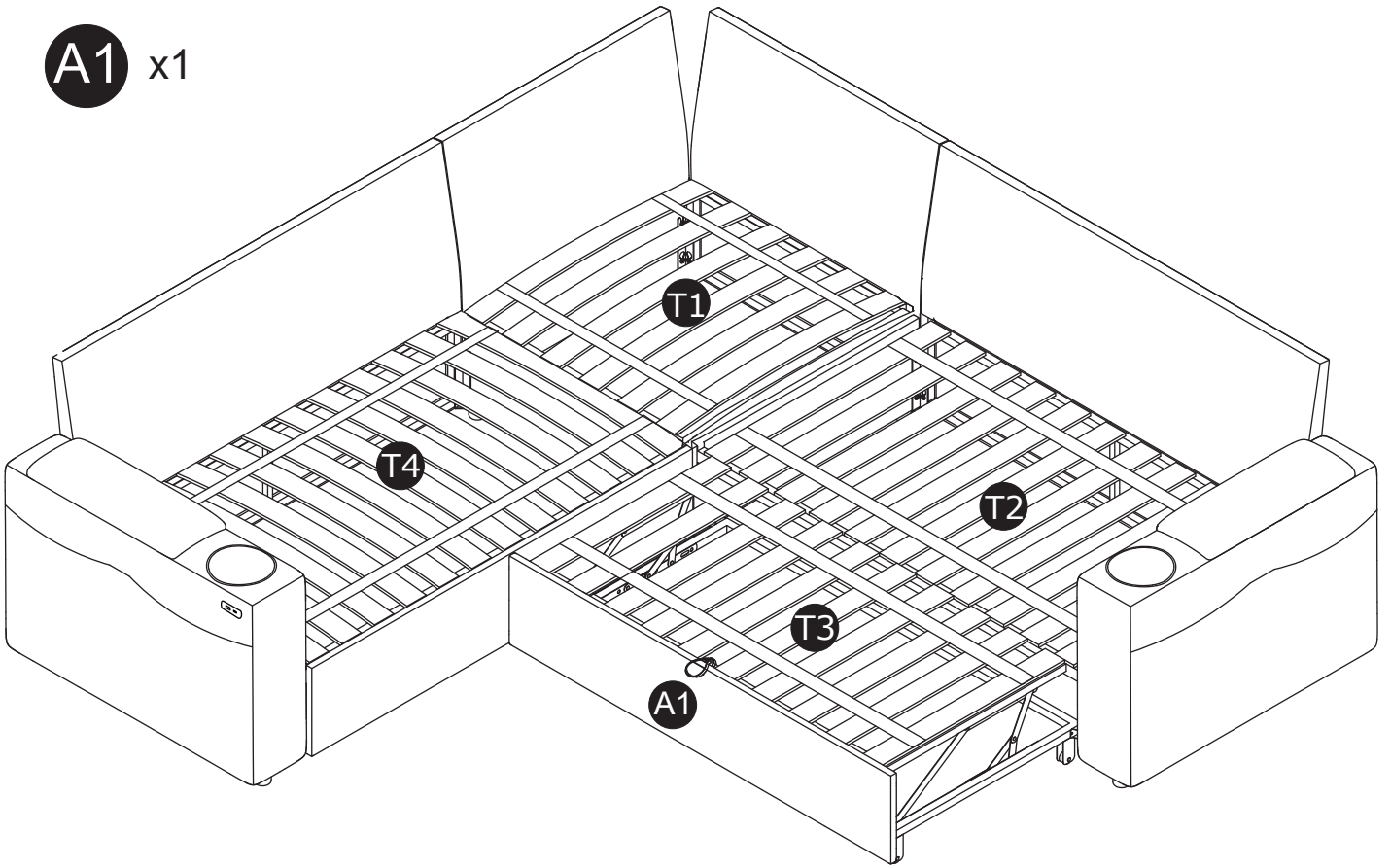


Slide part "Y" into part "A3"

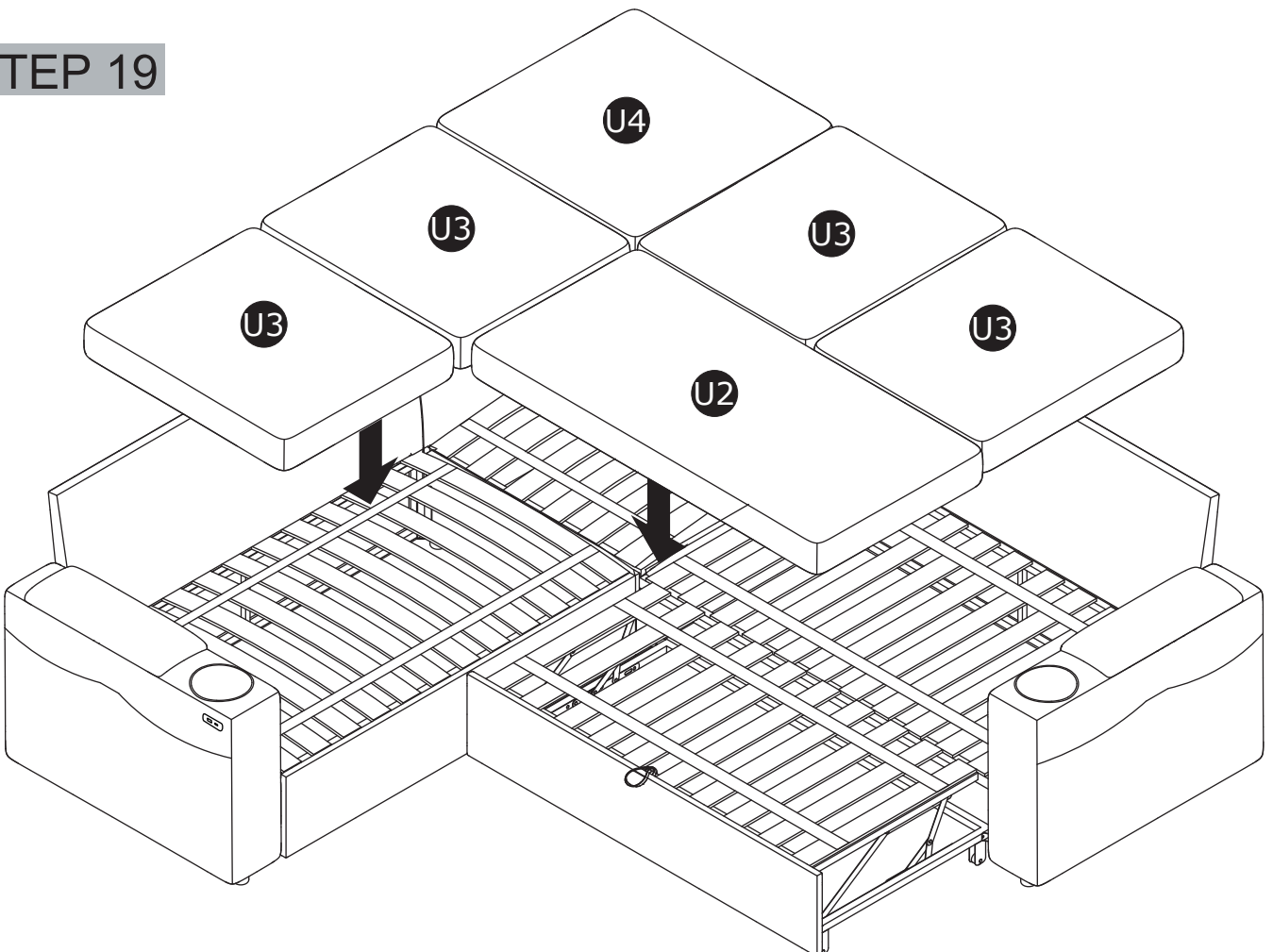


STEP 18

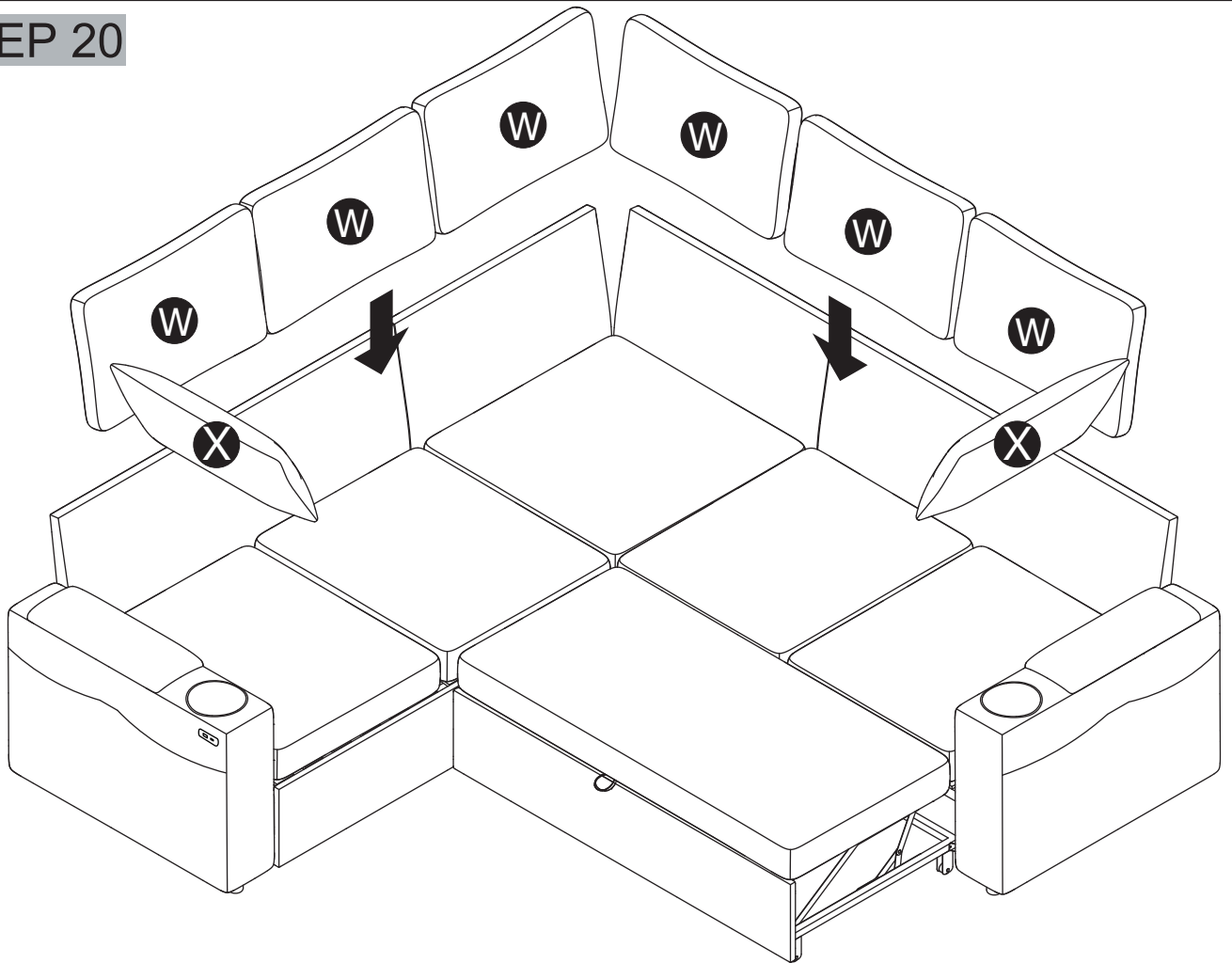
A1 x1



STEP 19



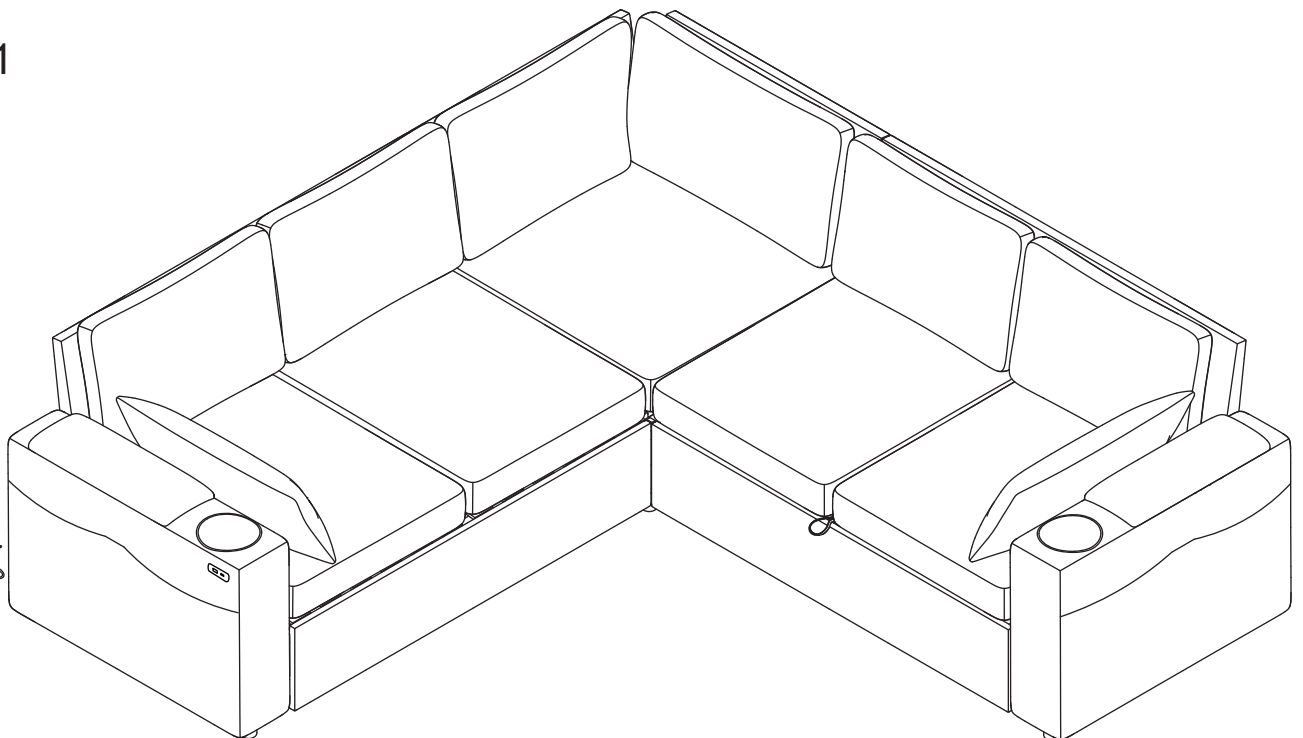
STEP 20



STEP 21

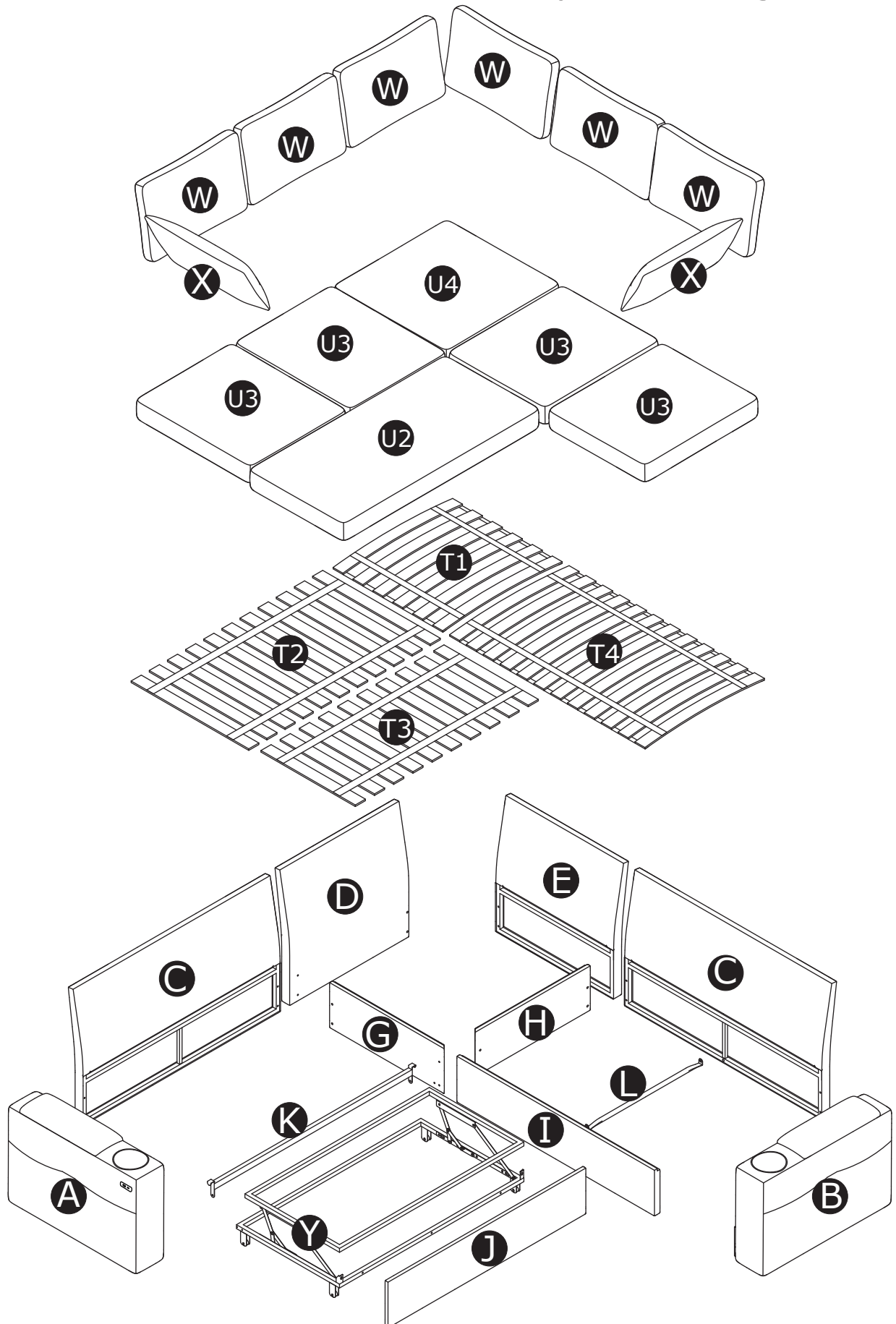
A10 x1

A10
whos



The product has compression parts,
Please pat them by hand and wait 72 hours, the cushions will be recover.

2 Sofa Overall Assembly Drawing



some parts are inside the armrest, please take them out

STEP 1

A3 x1

A5 x2

A7 x6

A7

A7

A5

A7

A7

A3

A11

A7

A7

A5

A7

A7

A5

A7

A7

A5

A7

A7

A5

A7

A7

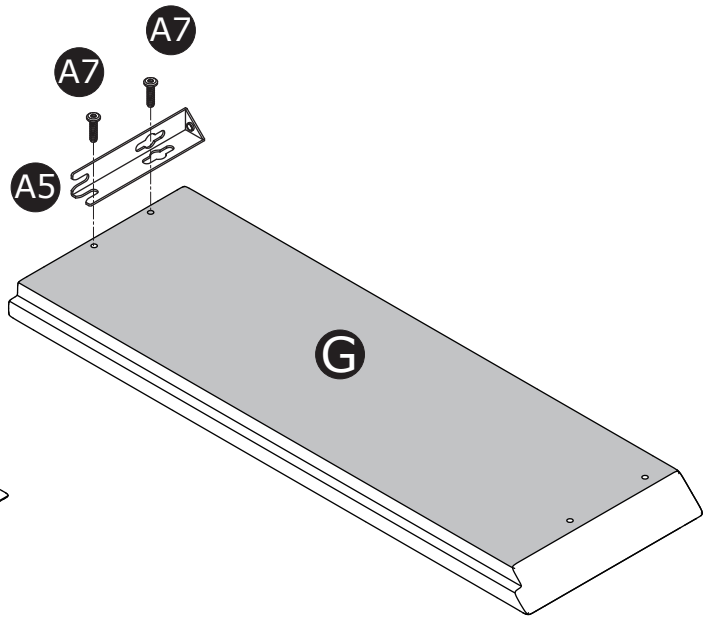
A5

A7

A7

A5

REVERSE



STEP 2

A5 x4

A7 x8

A7

A7

A5

A7

A7

A5

A7

A7

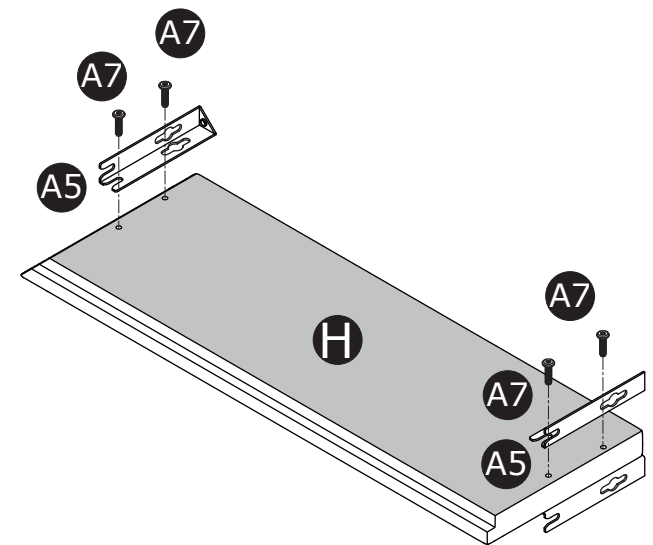
A5

A7

A7

A5

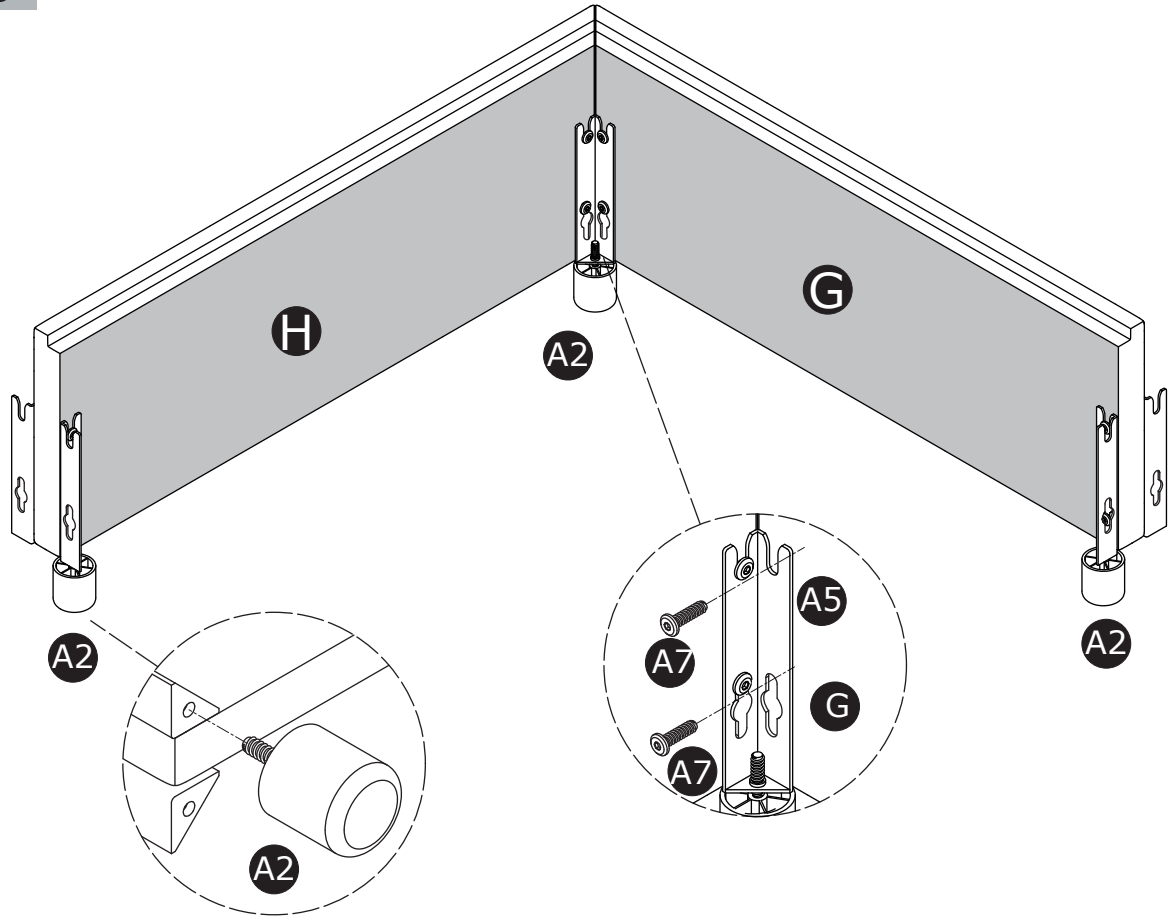
REVERSE



STEP 3

A2 x3

A7 x2

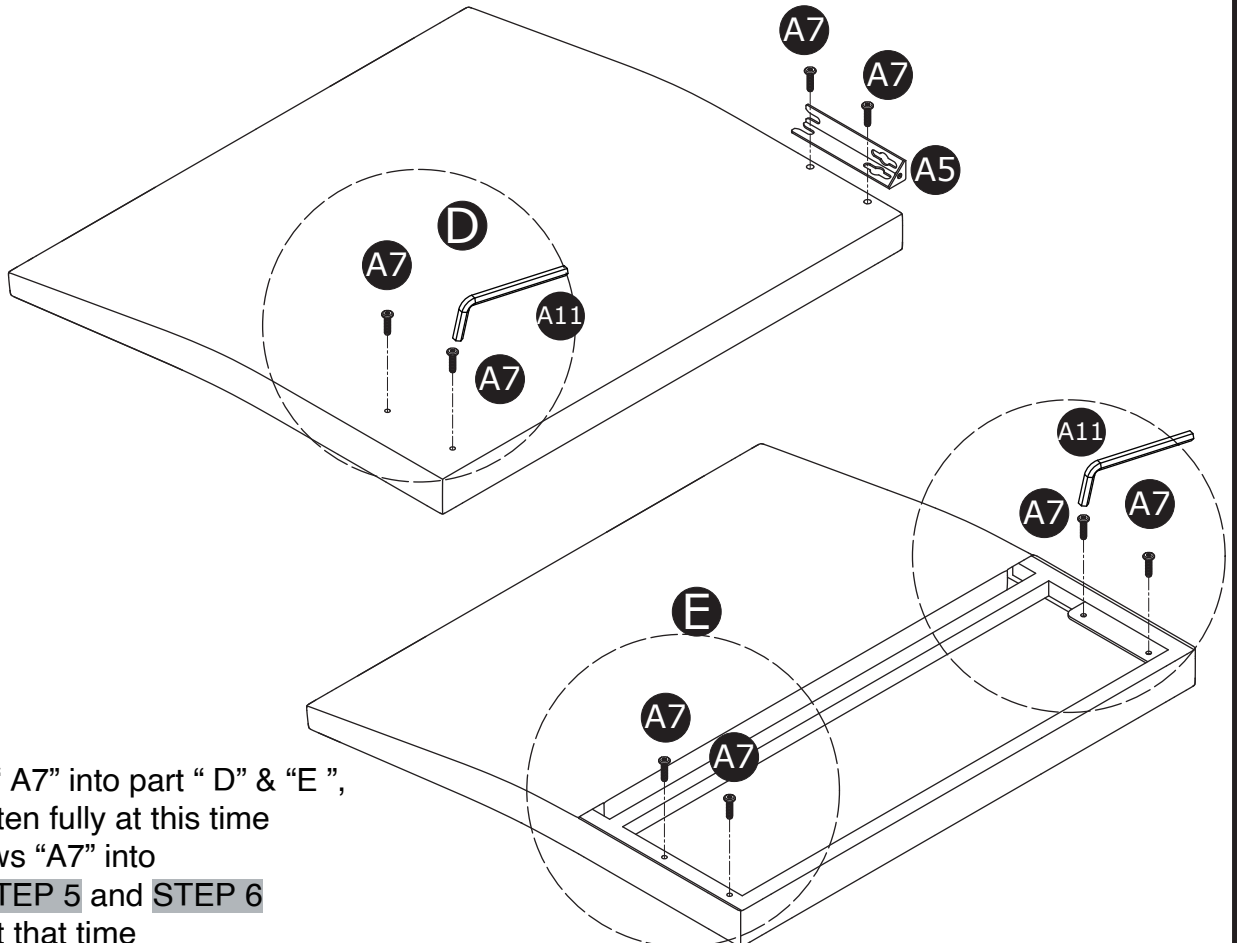


Tighten these 2 screws "A7" fully

STEP 4

A5 x1

A7 x8

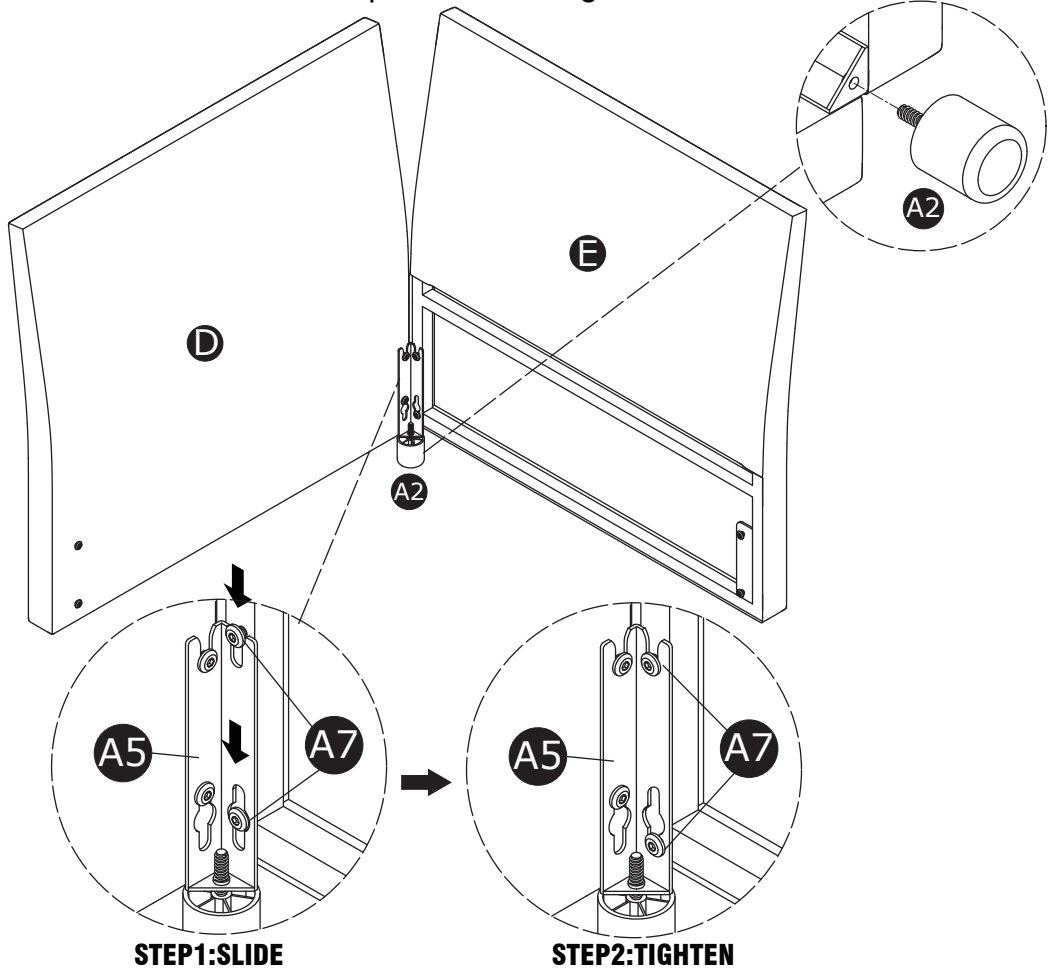


Insert screws "A7" into part "D" & "E",
but do not tighten fully at this time
Slide the screws "A7" into
part "A5" on **STEP 5** and **STEP 6**
tighten them at that time

STEP 5

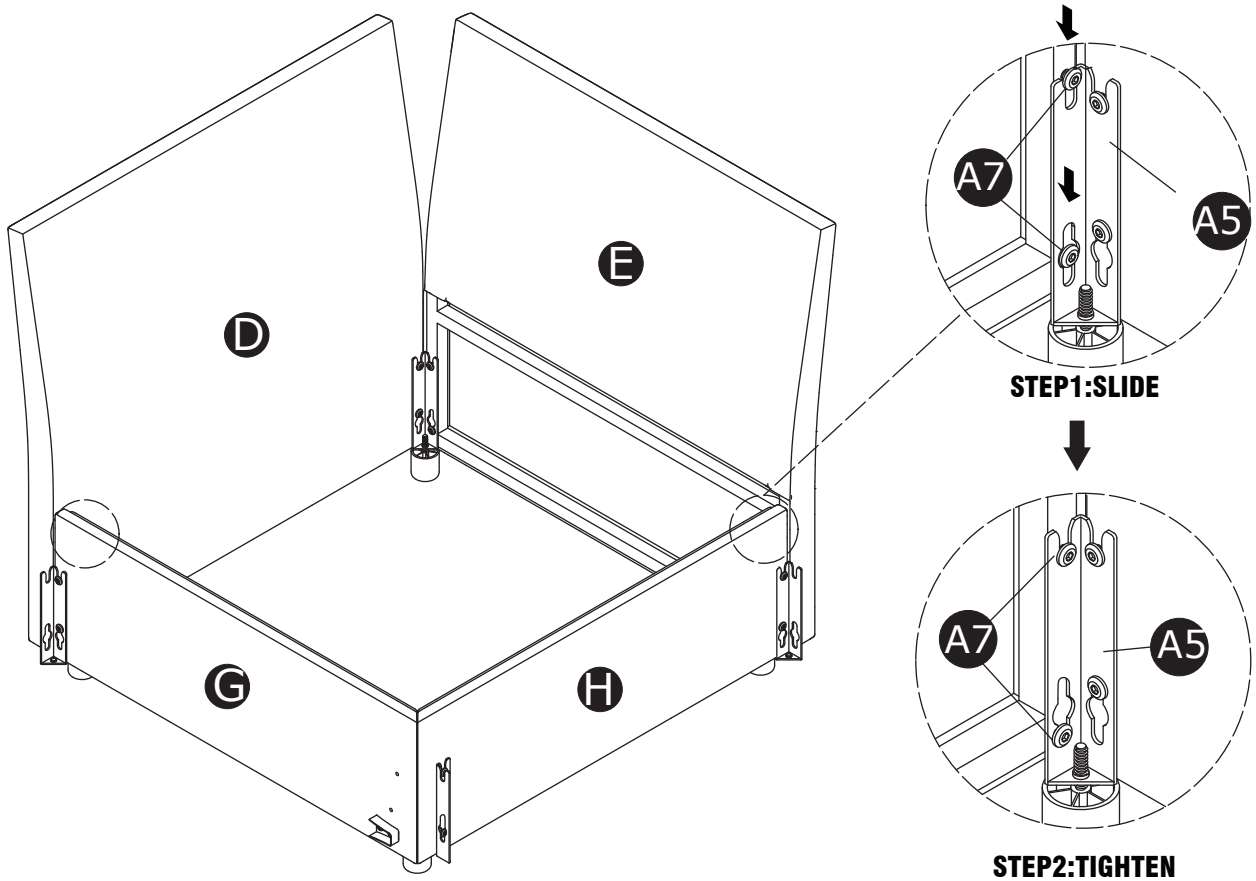
Slide the screws "A7" into part "A5" and tighten them at this time

A2 x1



STEP 6

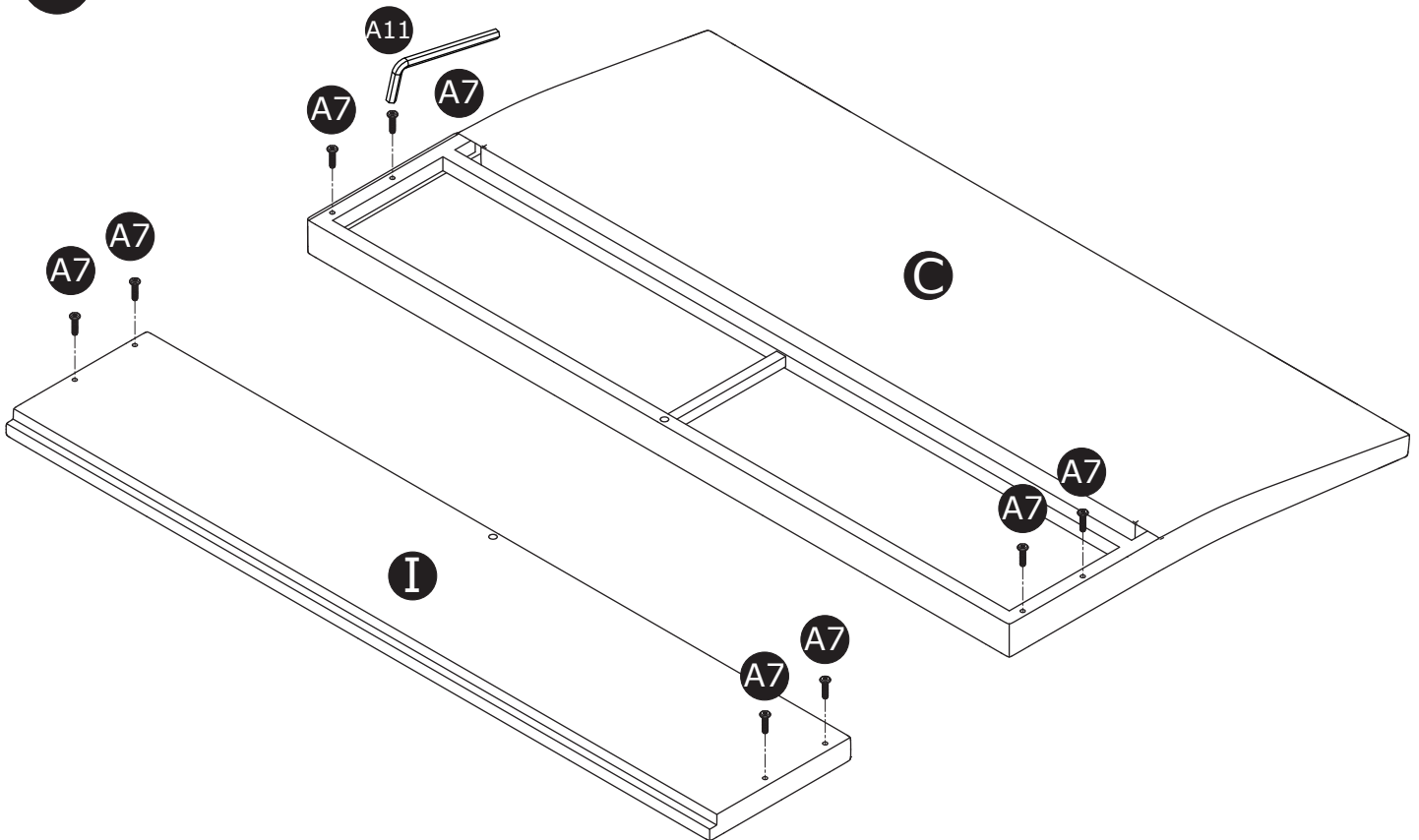
Slide the screws "A7" into inside part "A5" and tighten them at this time



STEP 7

Insert screws "A7" into part "C" & "I", but do not tighten fully at this time
Slide the screws "A7" into part "A5" on **STEP 9** and tighten them at that time

A7 x8

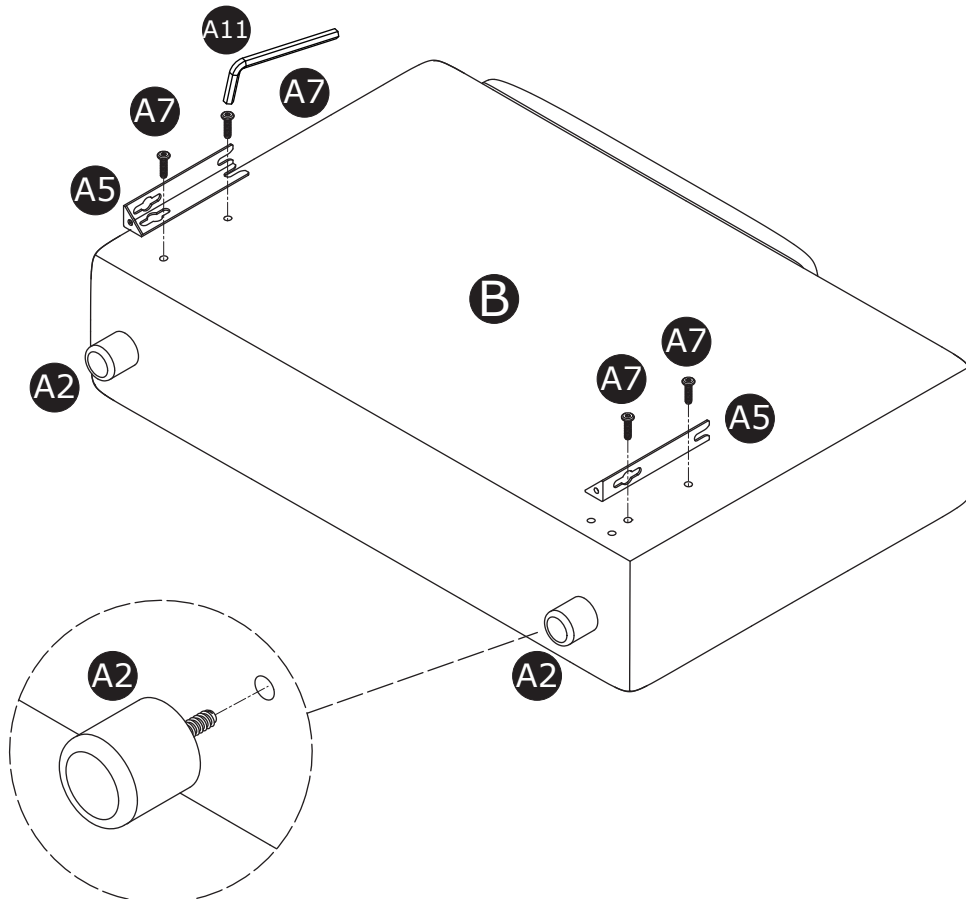


STEP 8

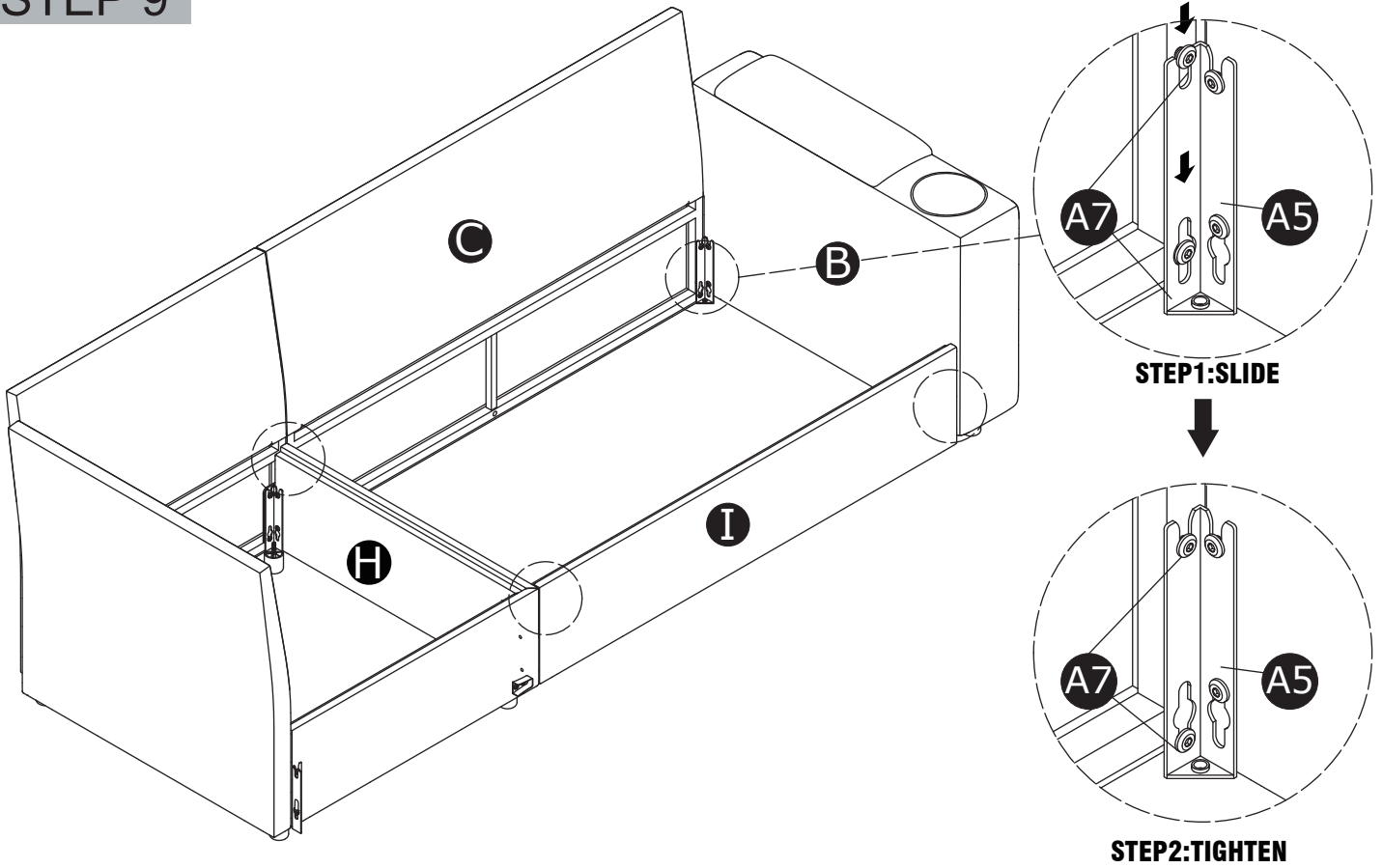
A2 x2

A5 x2

A7 x4



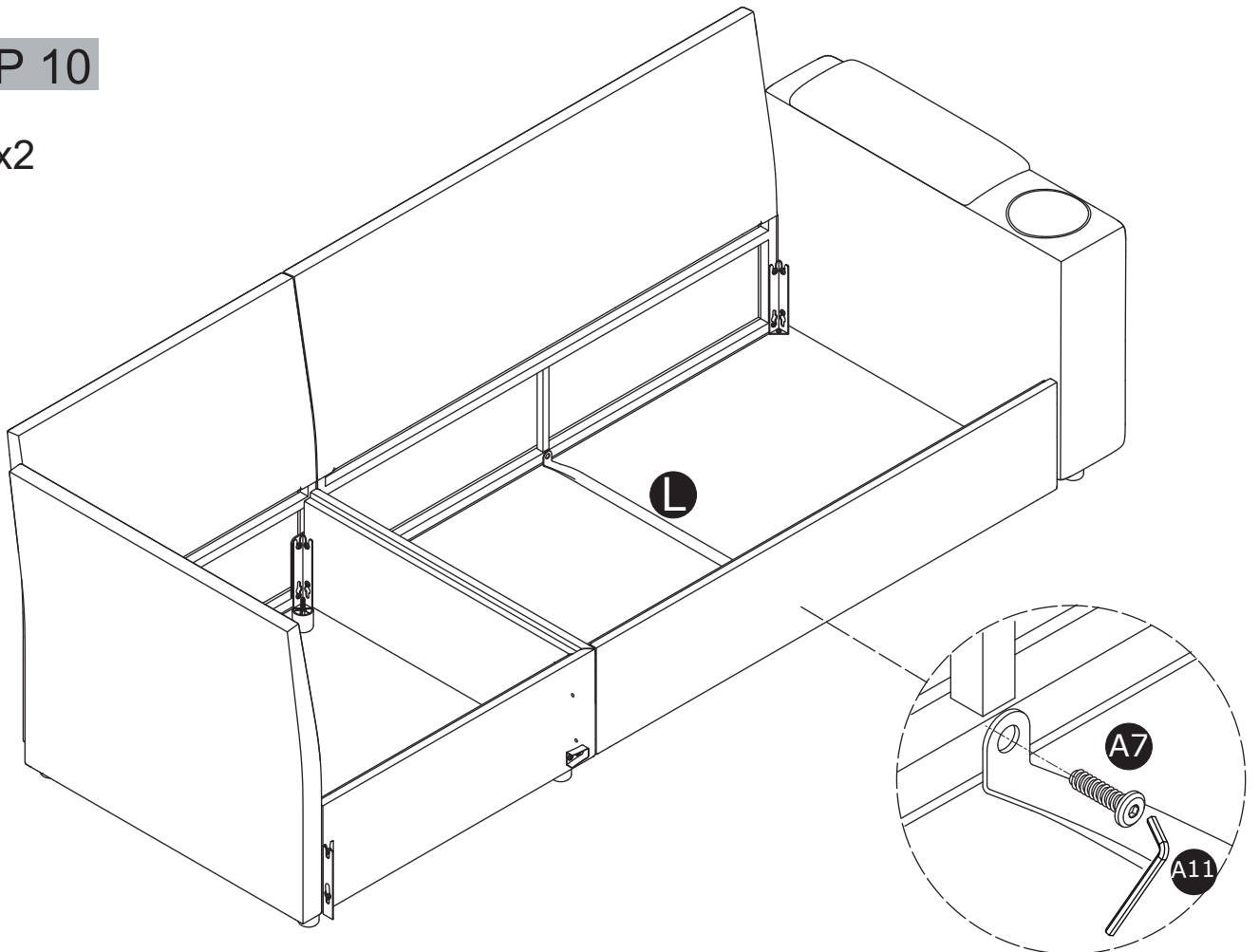
STEP 9



Slide the screws "A7" into part "A5" and tighten them at this time
WARM TIPS: if you feel hard to assemble C & I, please loosen the screws on Part H

STEP 10

A7 x2



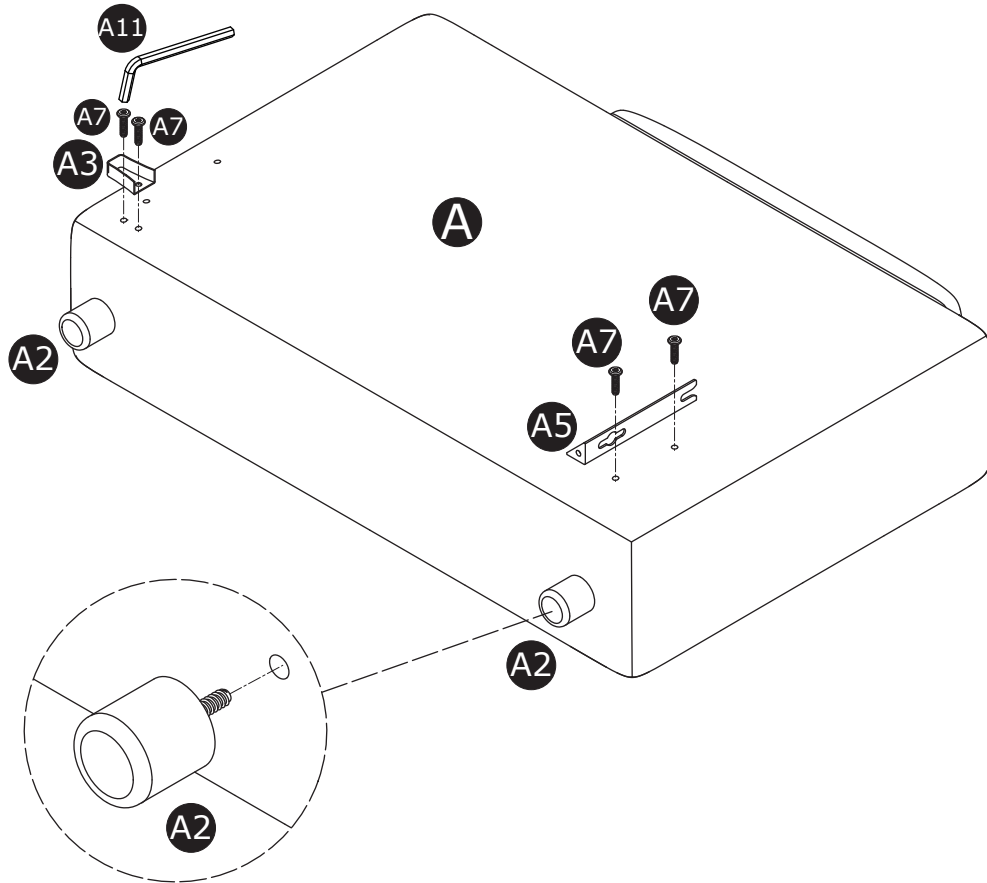
STEP 11

A2 x2

A3 x1

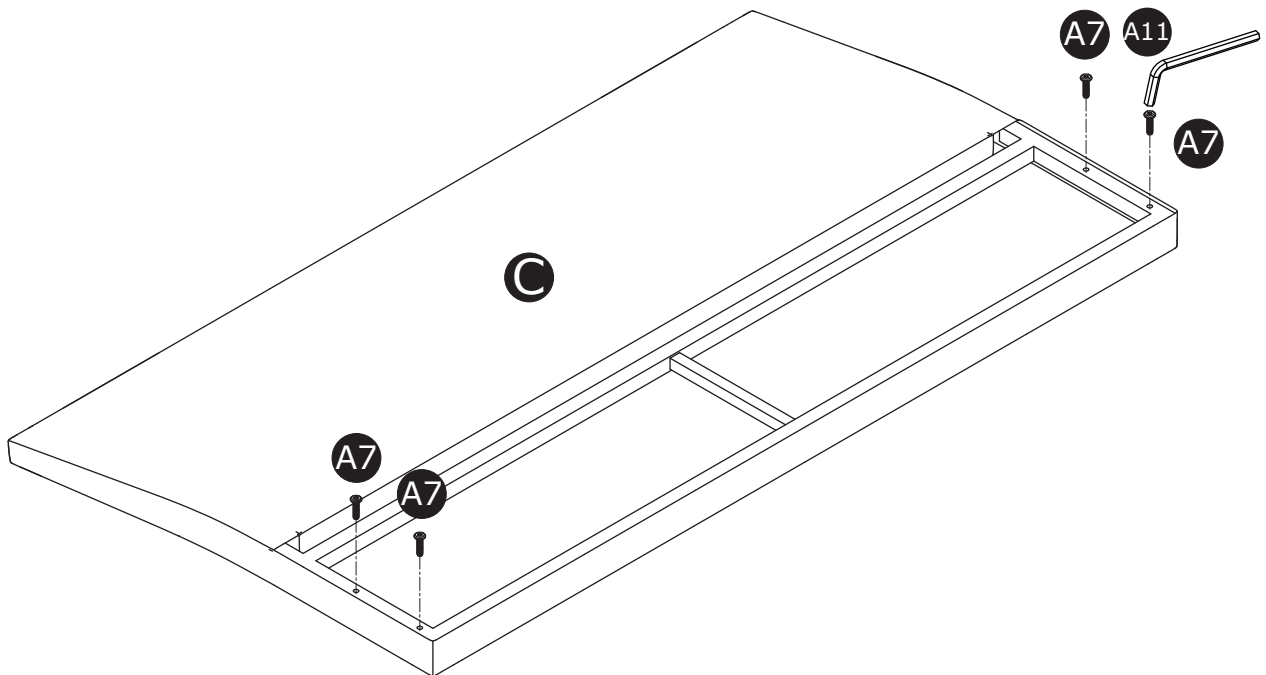
A5 x1

A7 x4



STEP 12

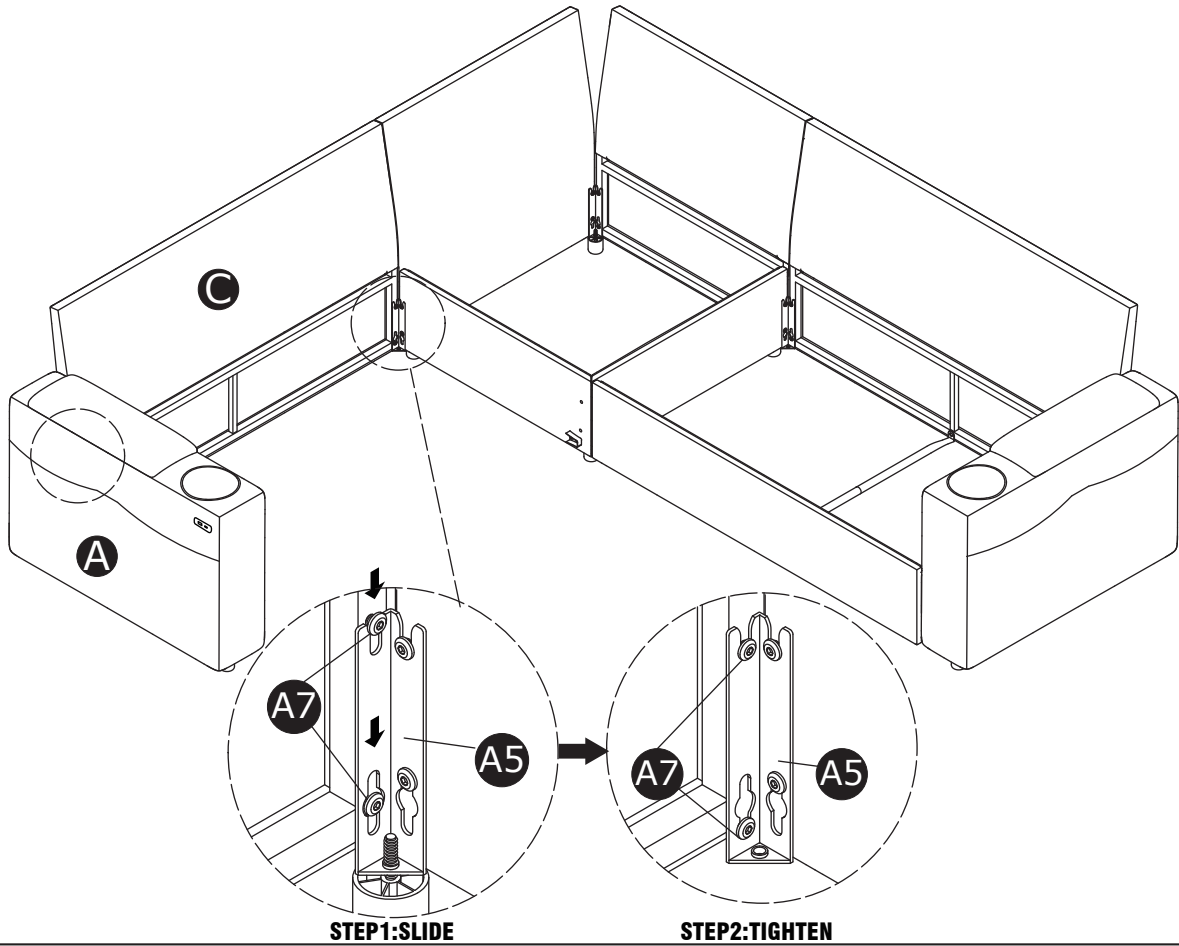
A7 x4



Insert screws "A7" into part "C", but do not tighten fully at this time
Slide the screws "A7" into part "A5" on **STEP 13** and tighten them at that time

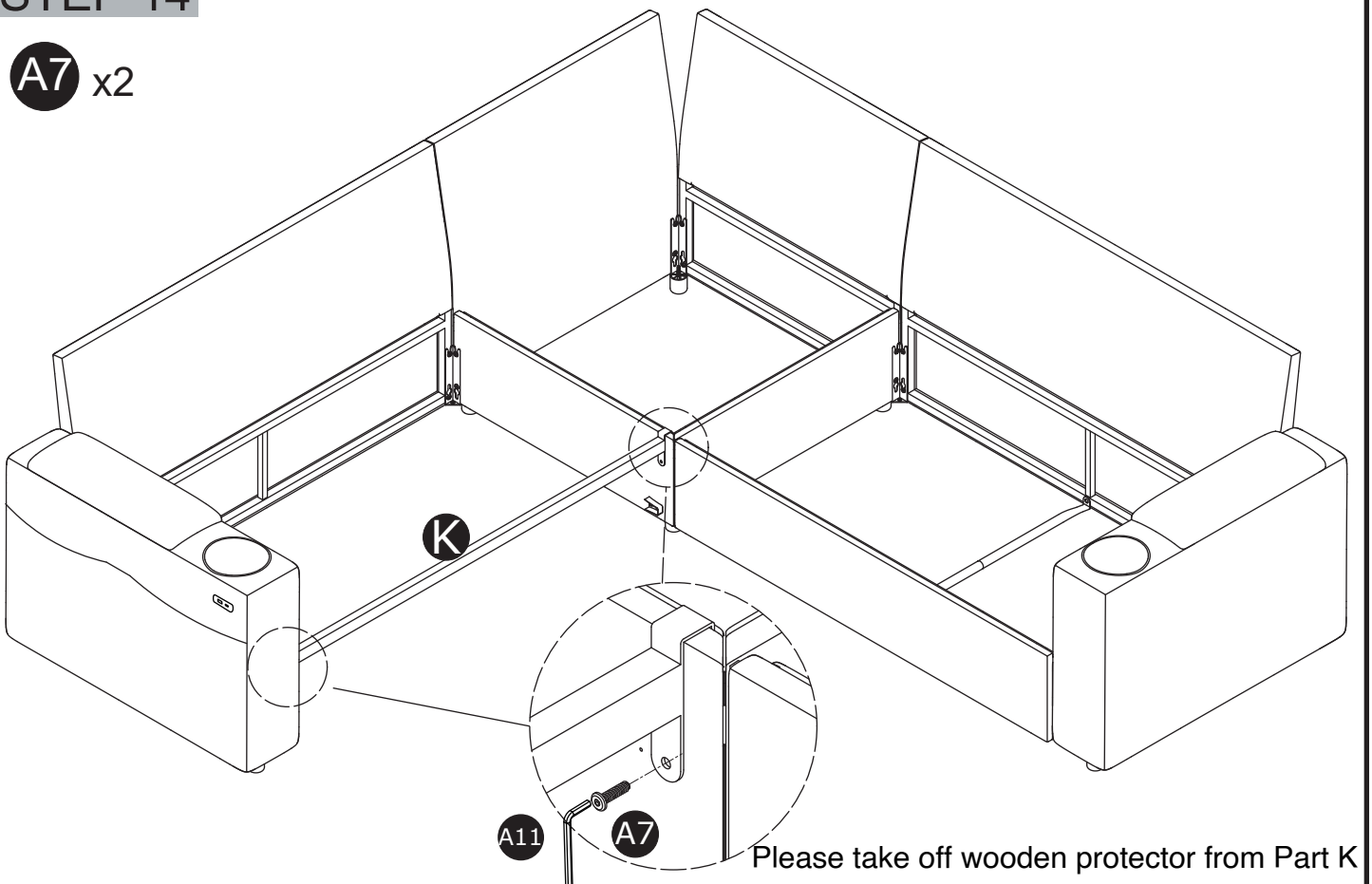
STEP 13

Slide the screws "A7" into part "A5" and tighten them at this time
WARM TIPS: if you feel hard to assemble Part C , please loosen the screws on Part A



STEP 14

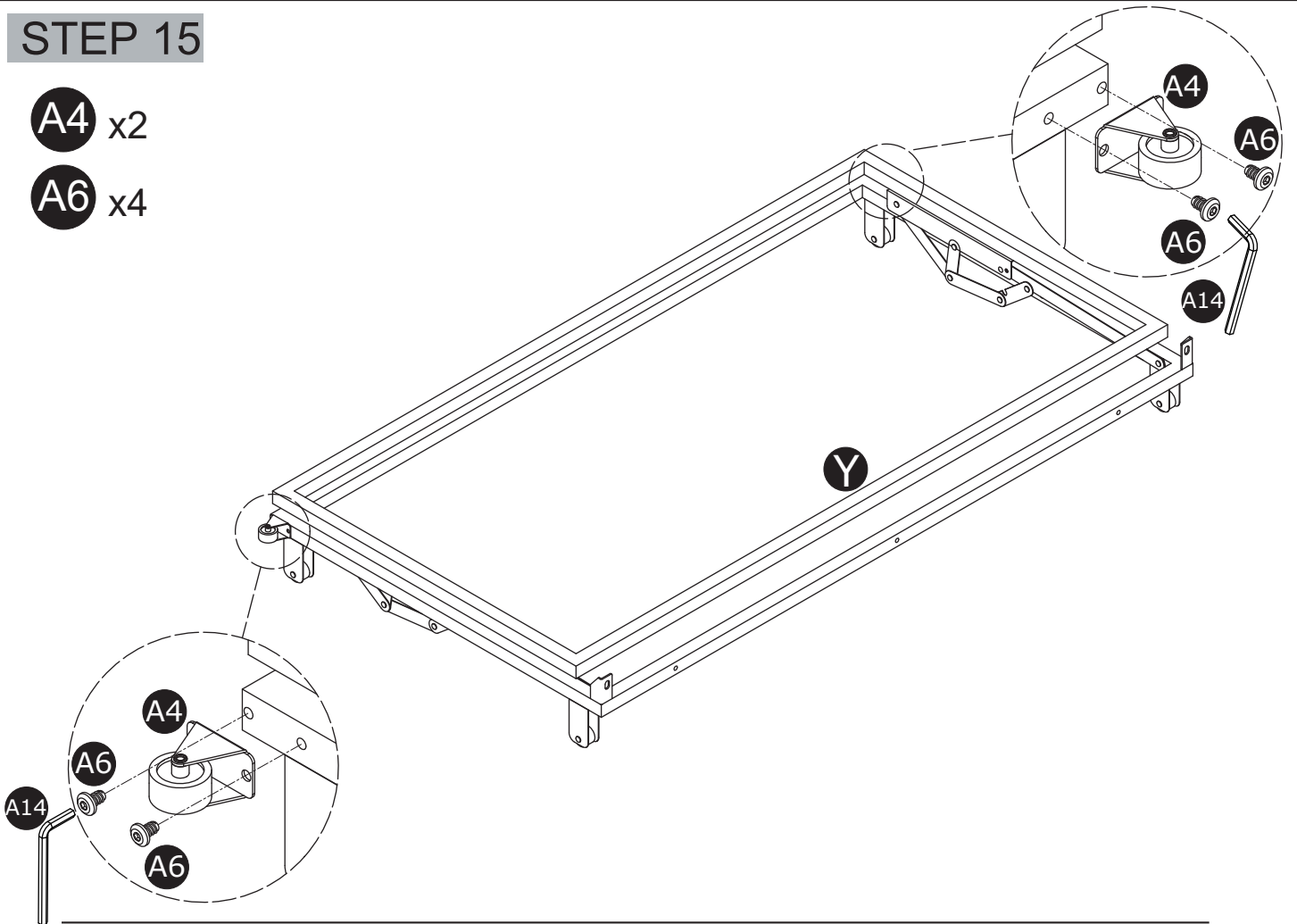
A7 x2



STEP 15

A4 x2

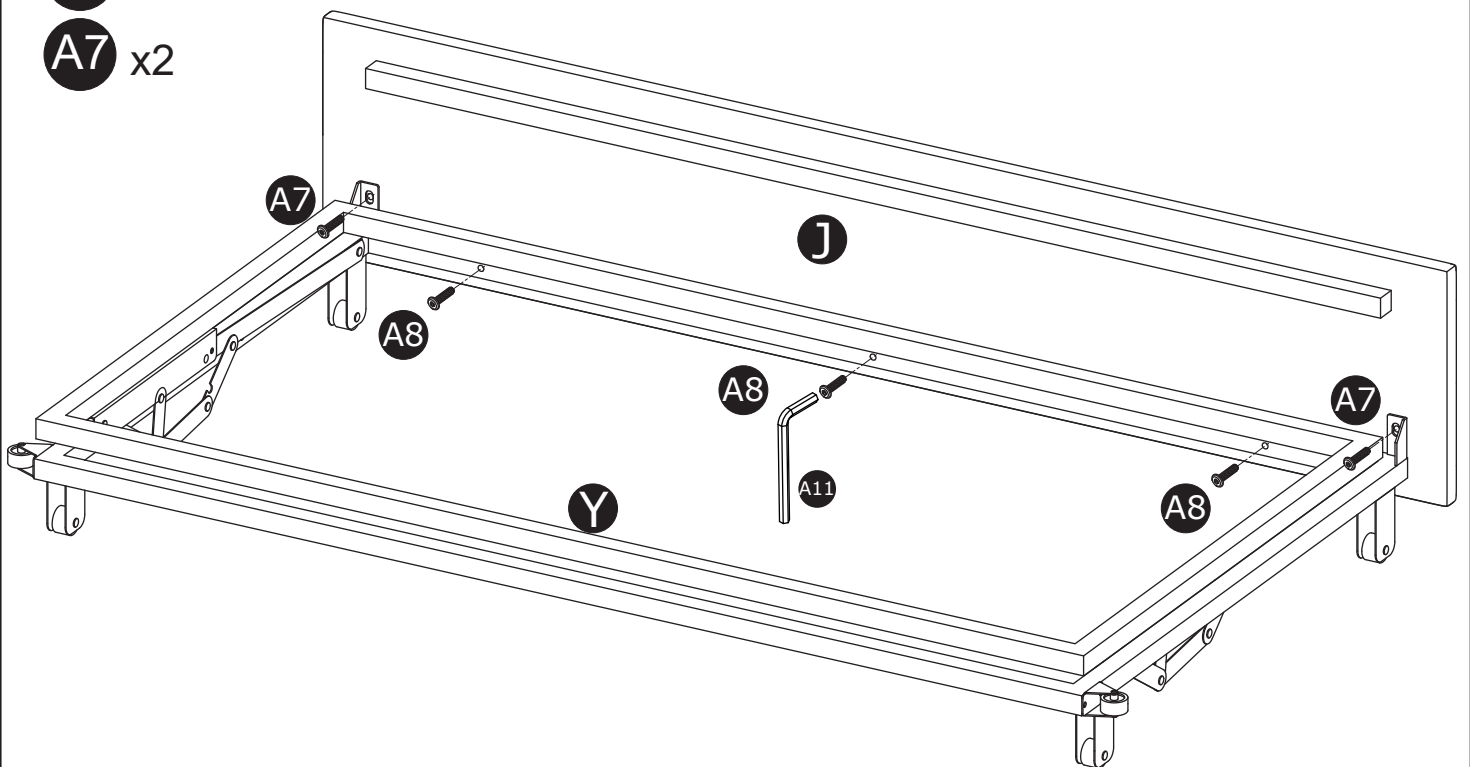
A6 x4



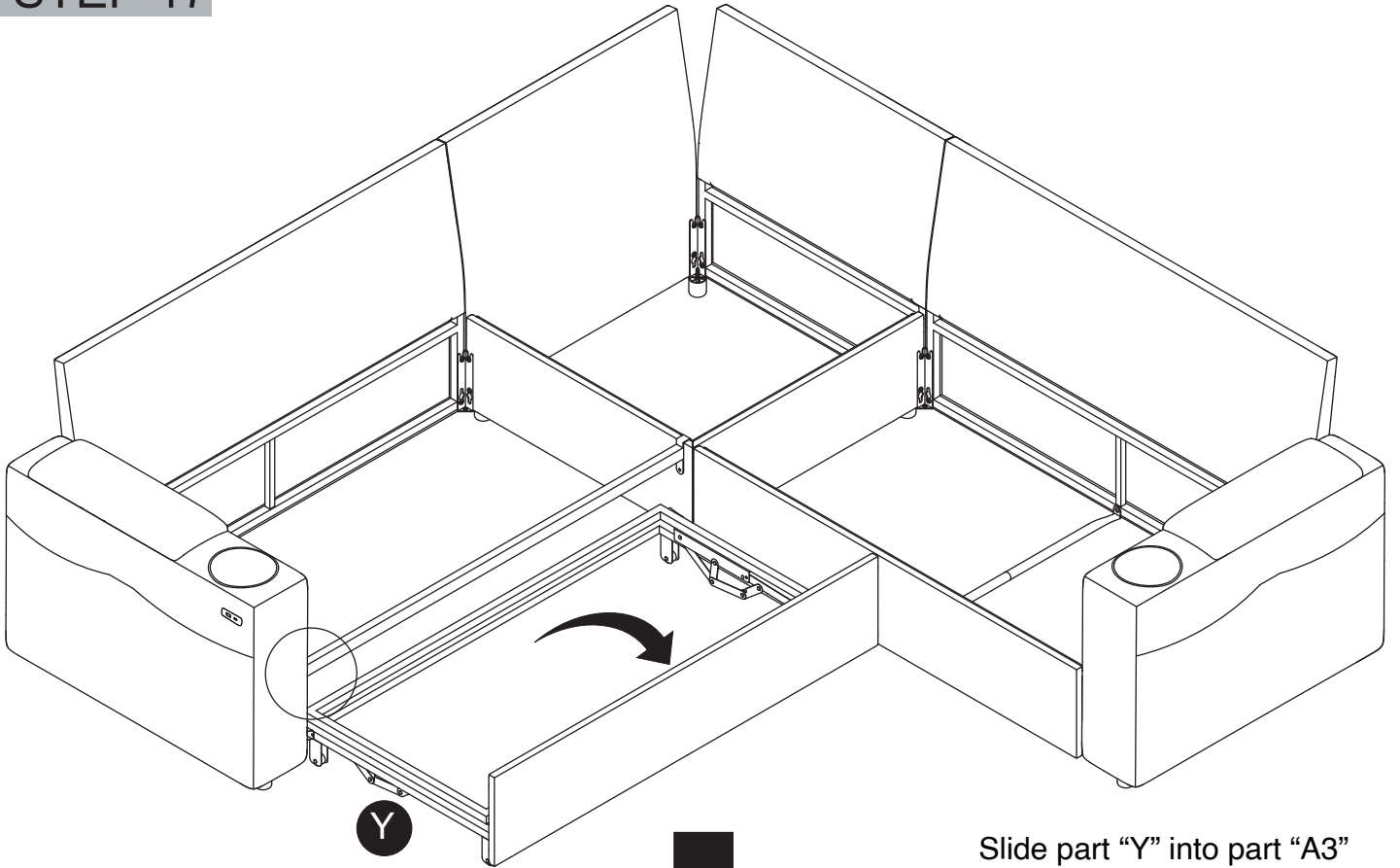
STEP 16

A8 x3

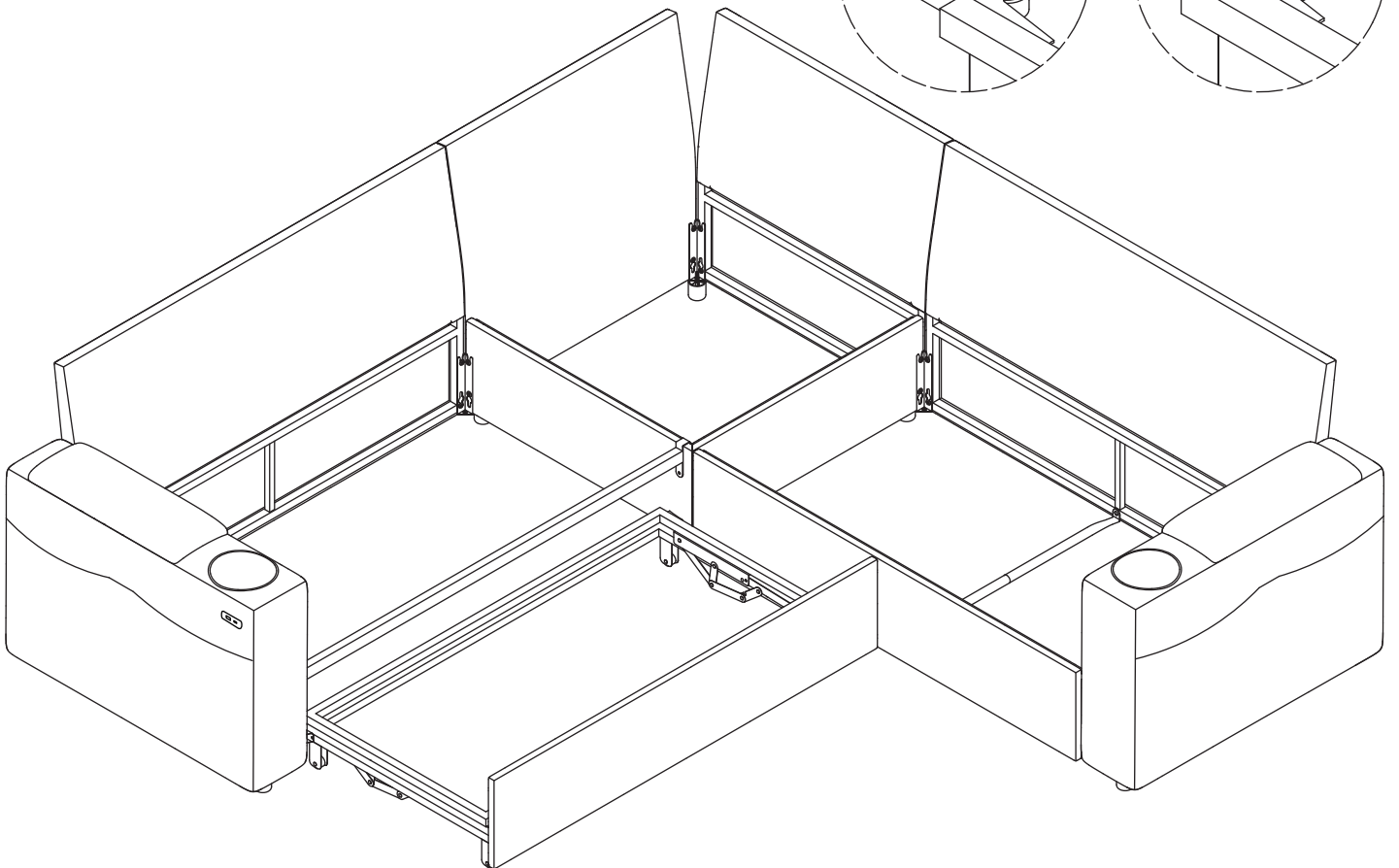
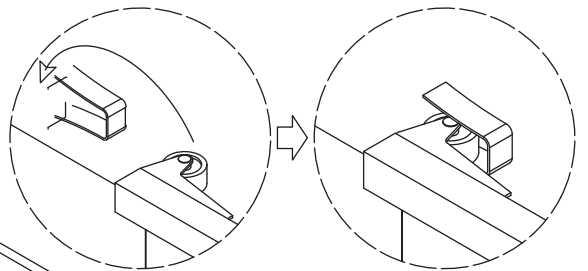
A7 x2



STEP 17

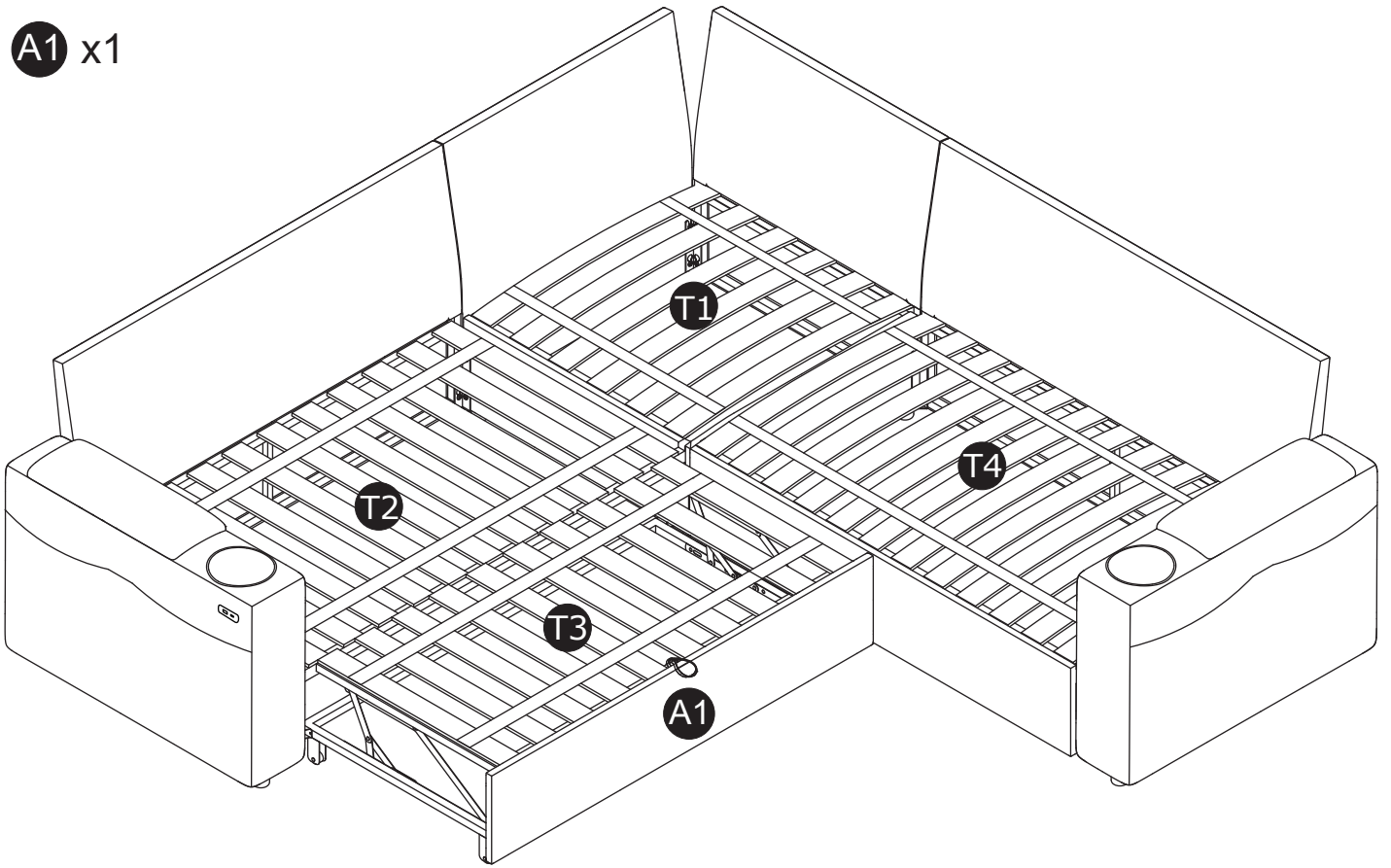


Slide part "Y" into part "A3"

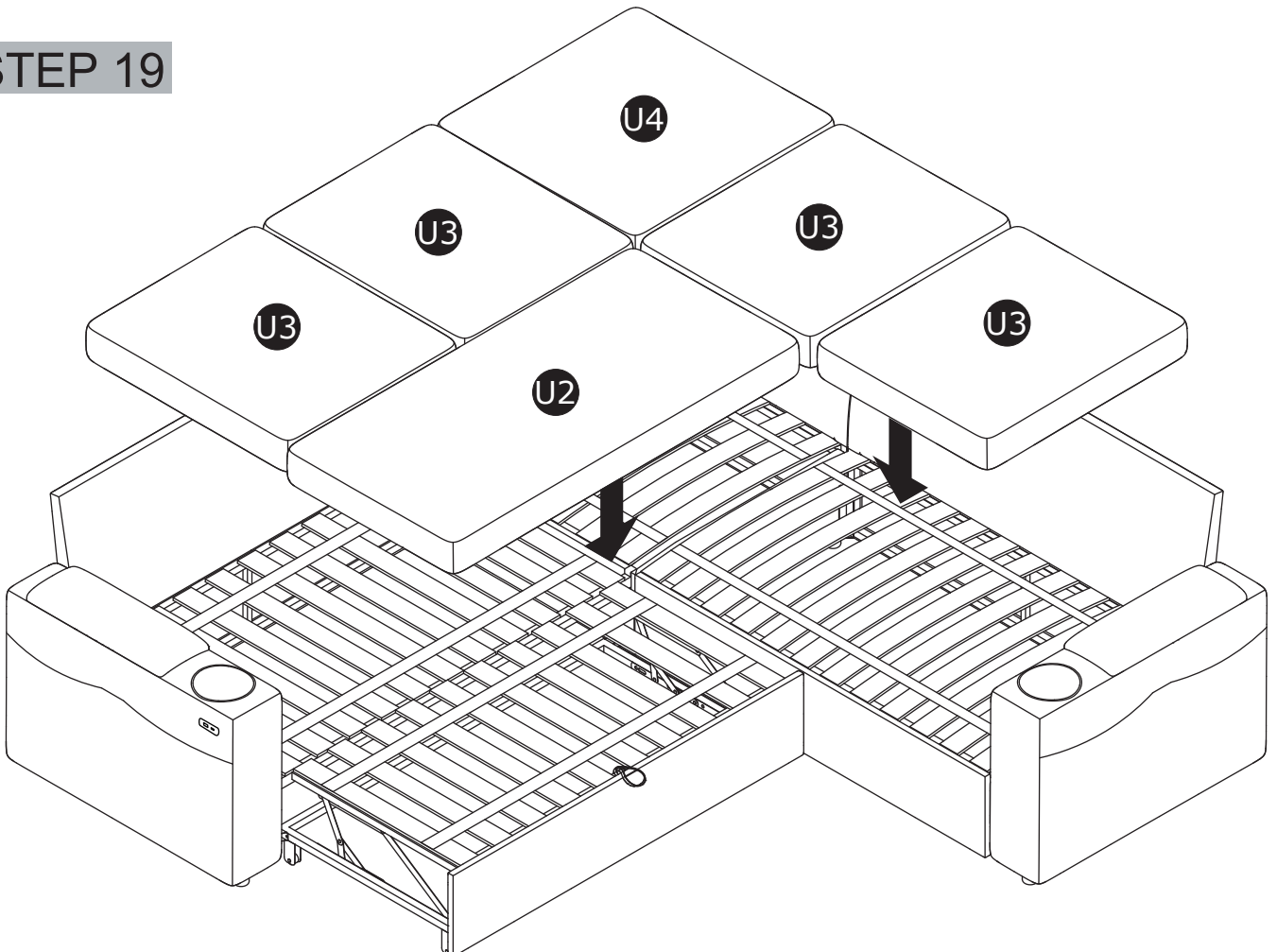


STEP 18

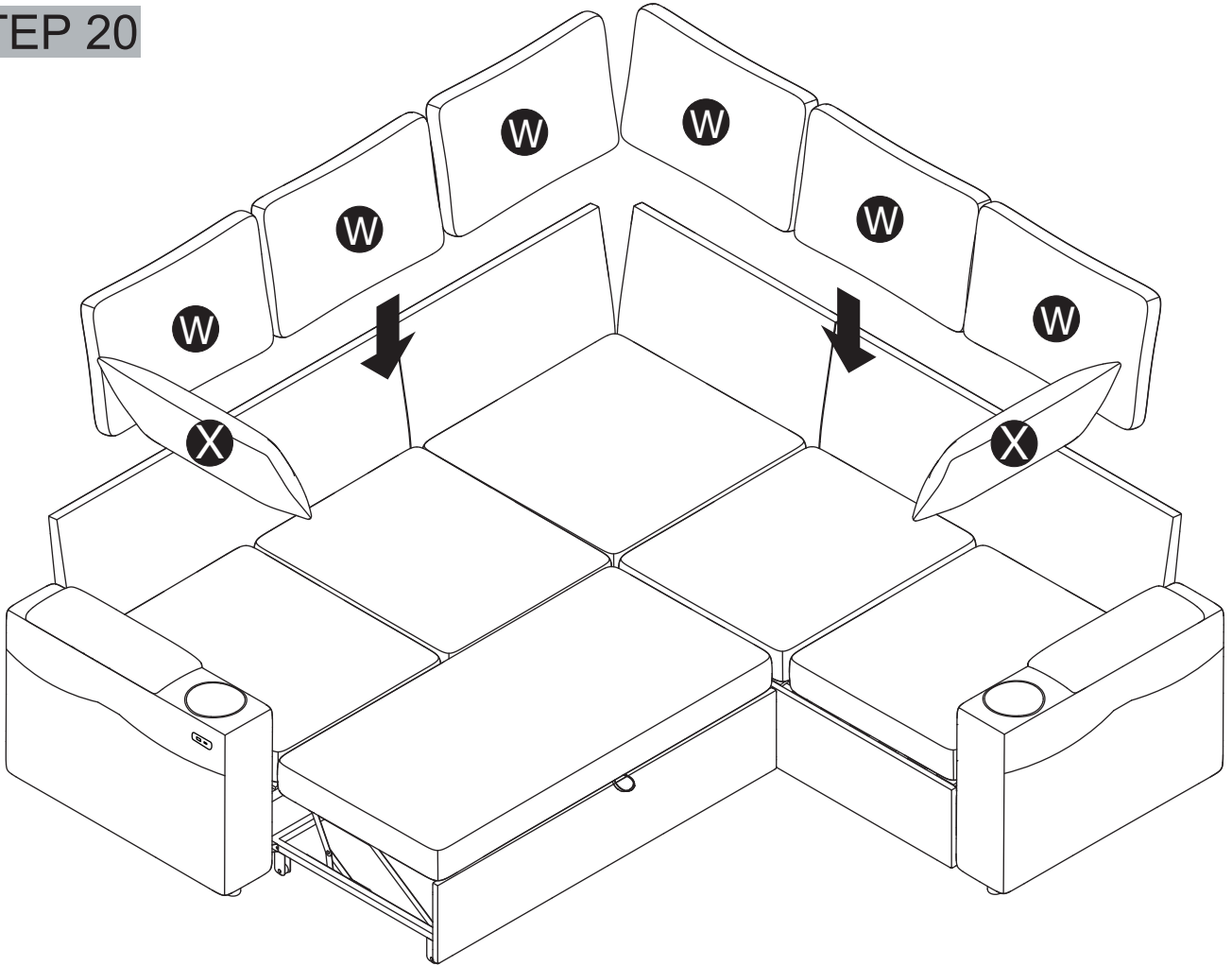
A1 x1



STEP 19

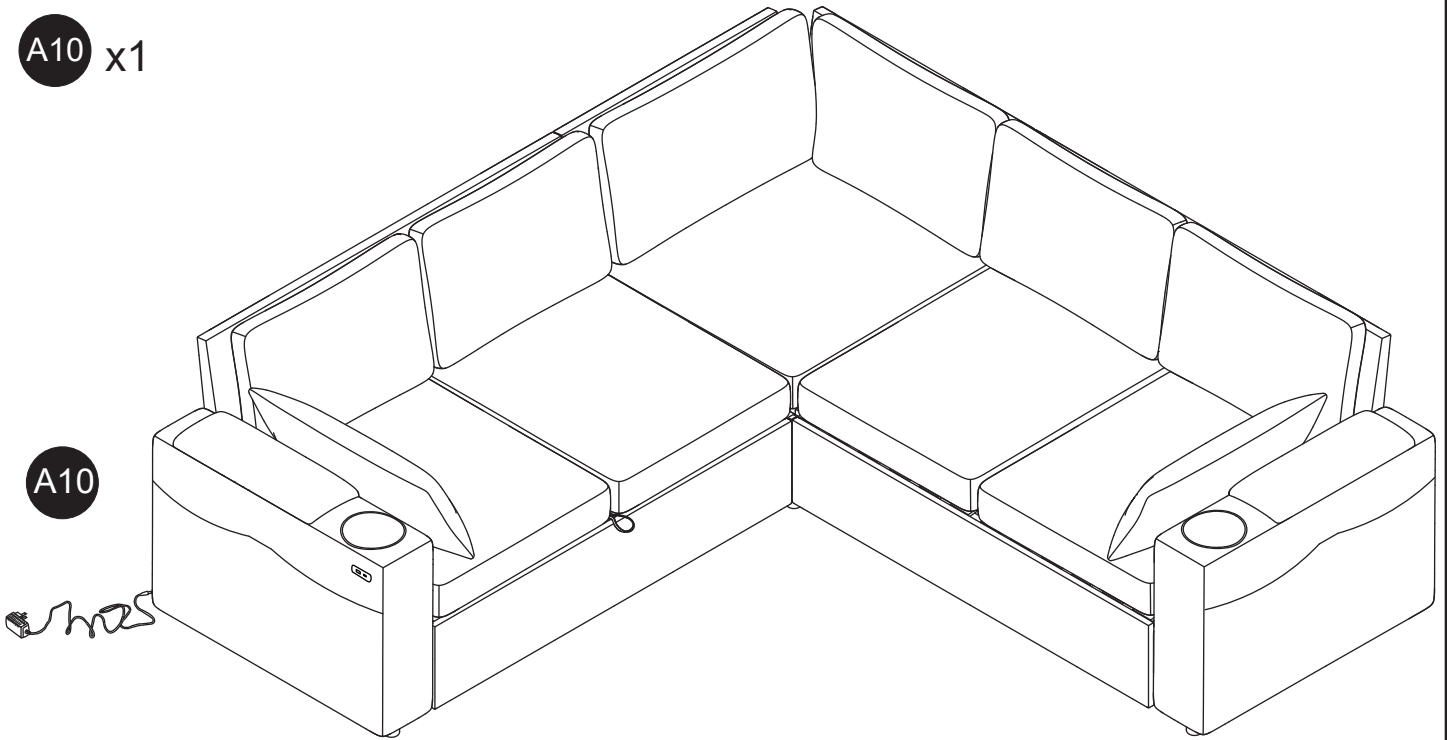


STEP 20



STEP 21

A10 x1



The product has compression parts,
Please pat them by hand and wait 72 hours, the cushions will be recover.