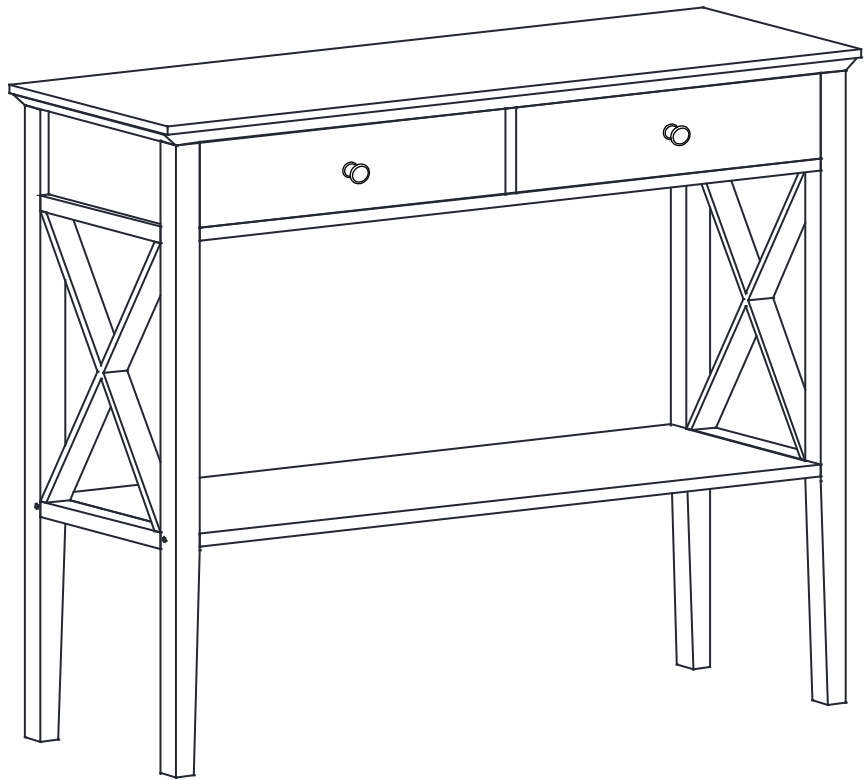
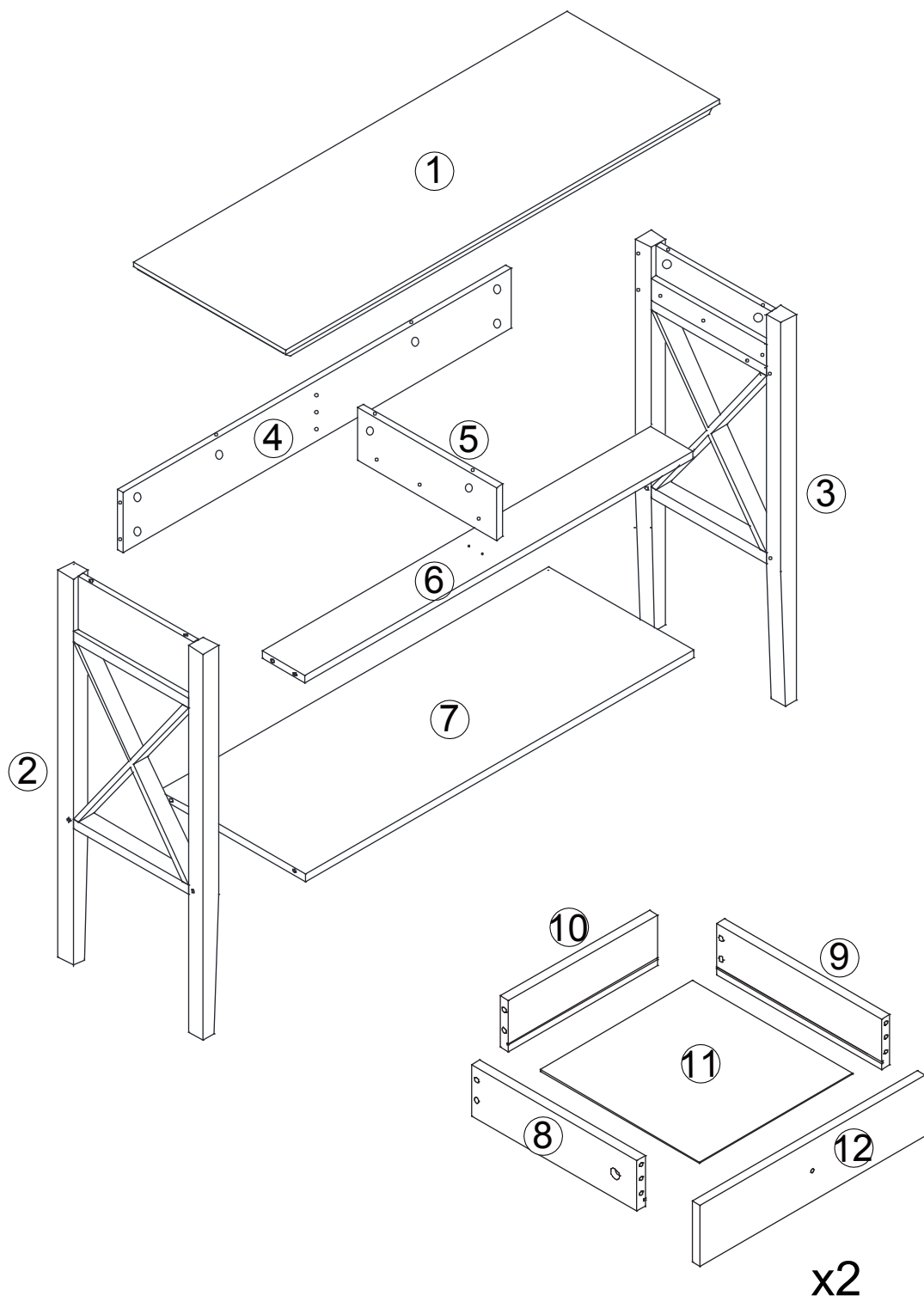
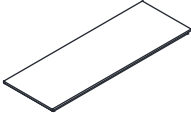


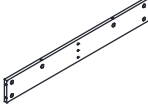
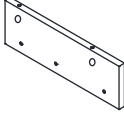
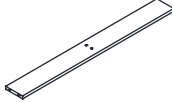
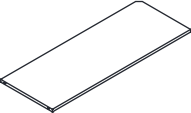
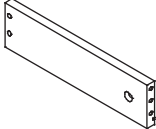
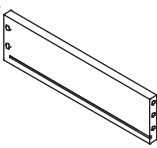
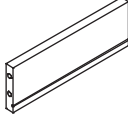
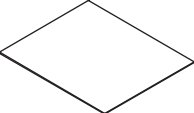
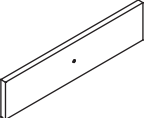


# ASSEMBLY INSTRUCTION



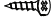

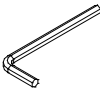









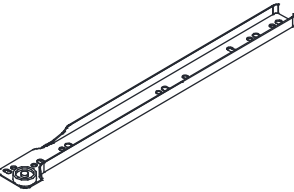
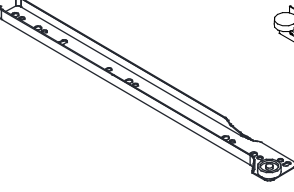
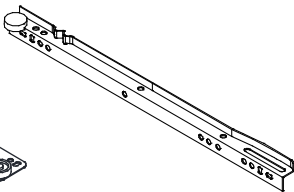
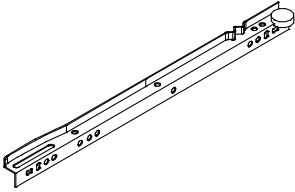




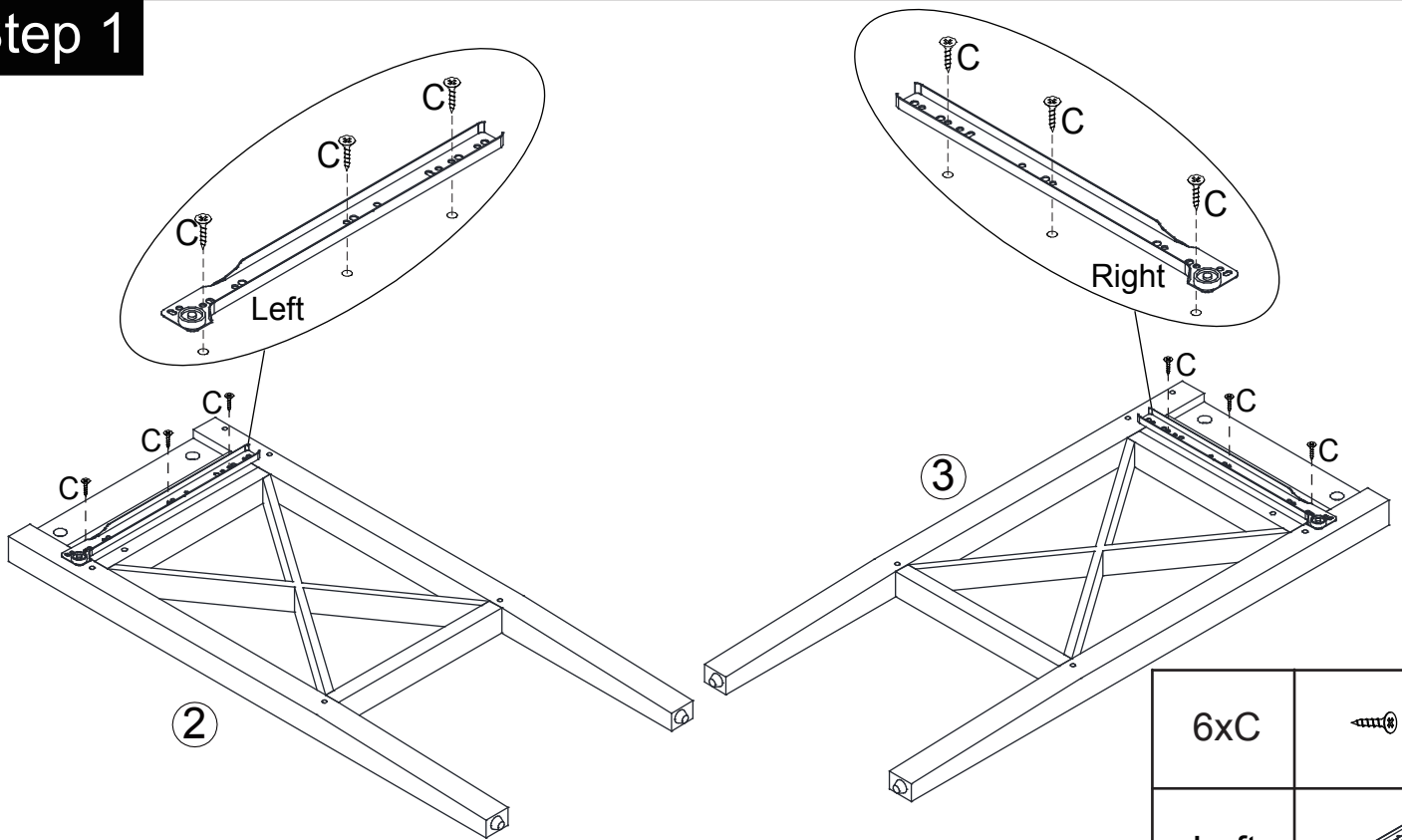
# Part list

①	1		②	1	
③	1		④	1	
⑤	1		⑥	1	
⑦	1		⑧	2	
⑨	2		⑩	2	
⑪	2		⑫	2	

# Hardware list

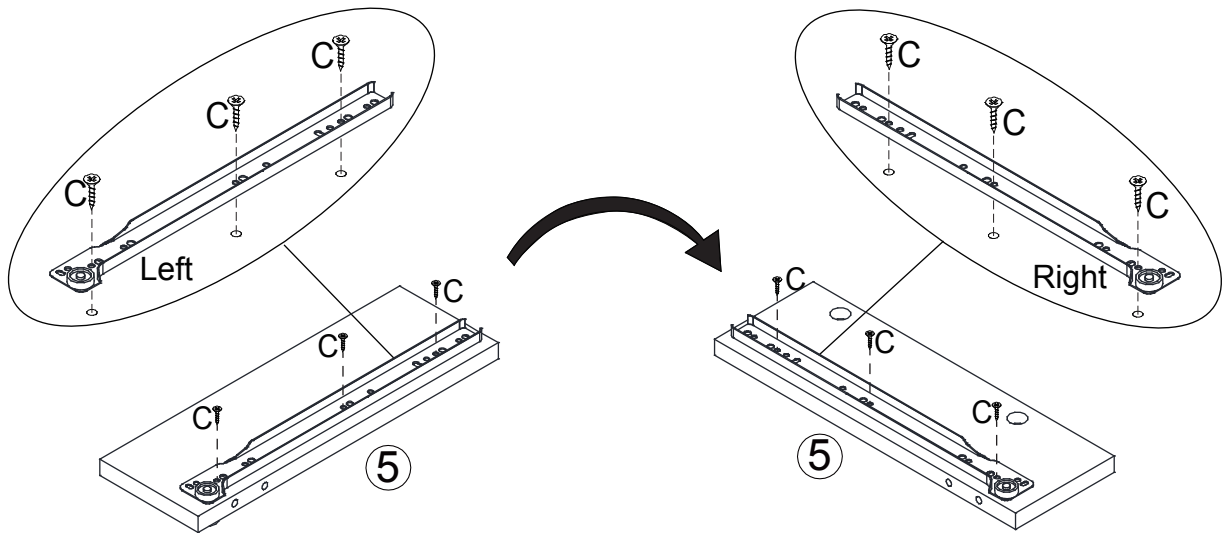
 Ax20	 Bx20	 Cx24	 Dx12	 Ex1
 (Ø6x30mm) Fx8	 Gx2	 Hx2	 Ix4	 Jx4
 Kx1	 Lx1	 Mx1	 (Ø8x30mm) Nx2	
 x2	 x2	 x2	 x2	

# Step 1



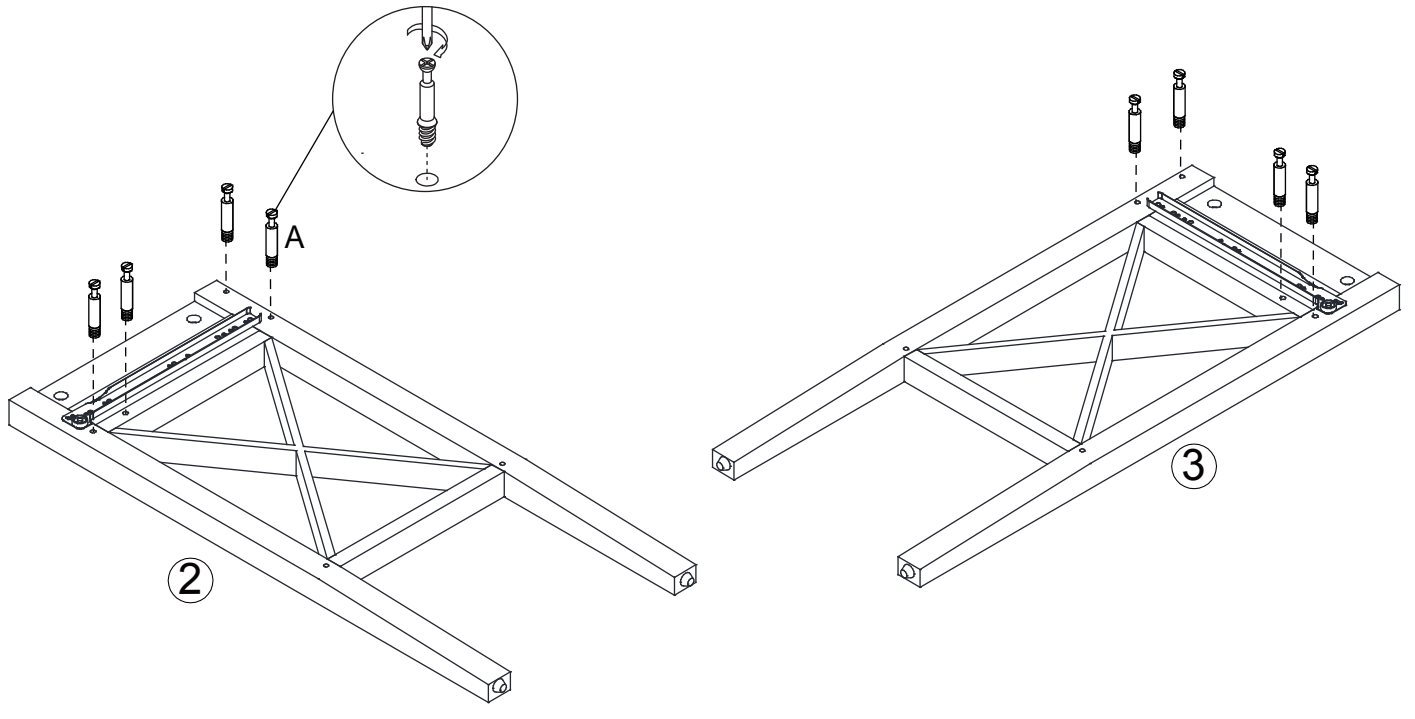
6xC	
Left	
Right	

# Step 2



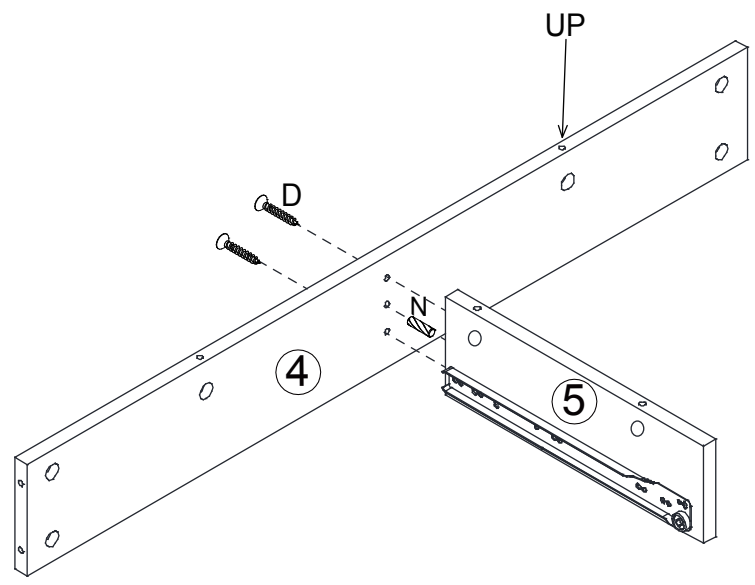
6xC	
Left	
Right	



# Step 3



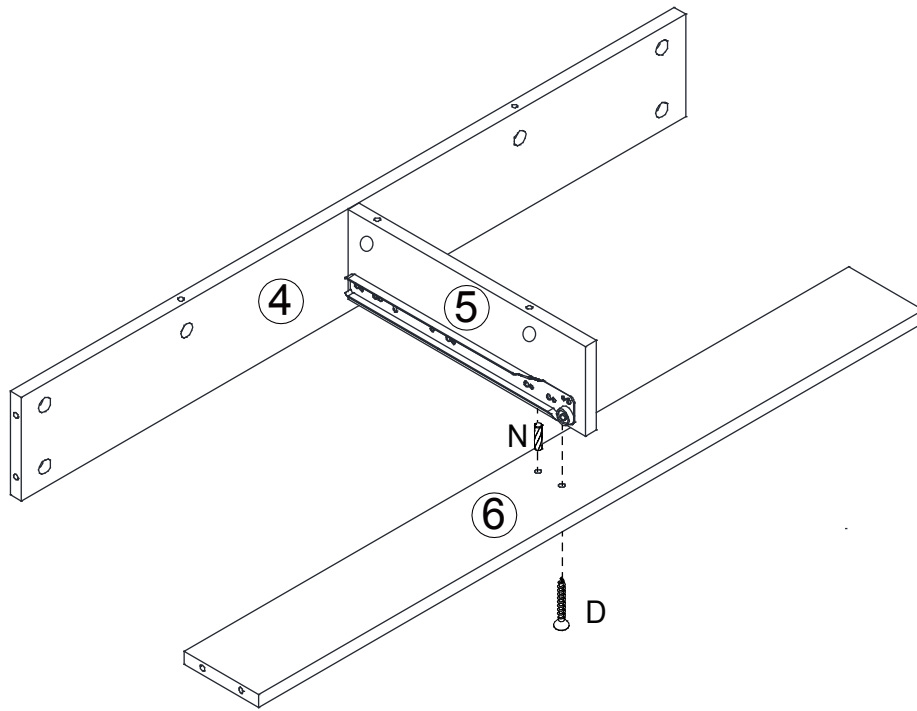
8xA	
-----	--



# Step 4



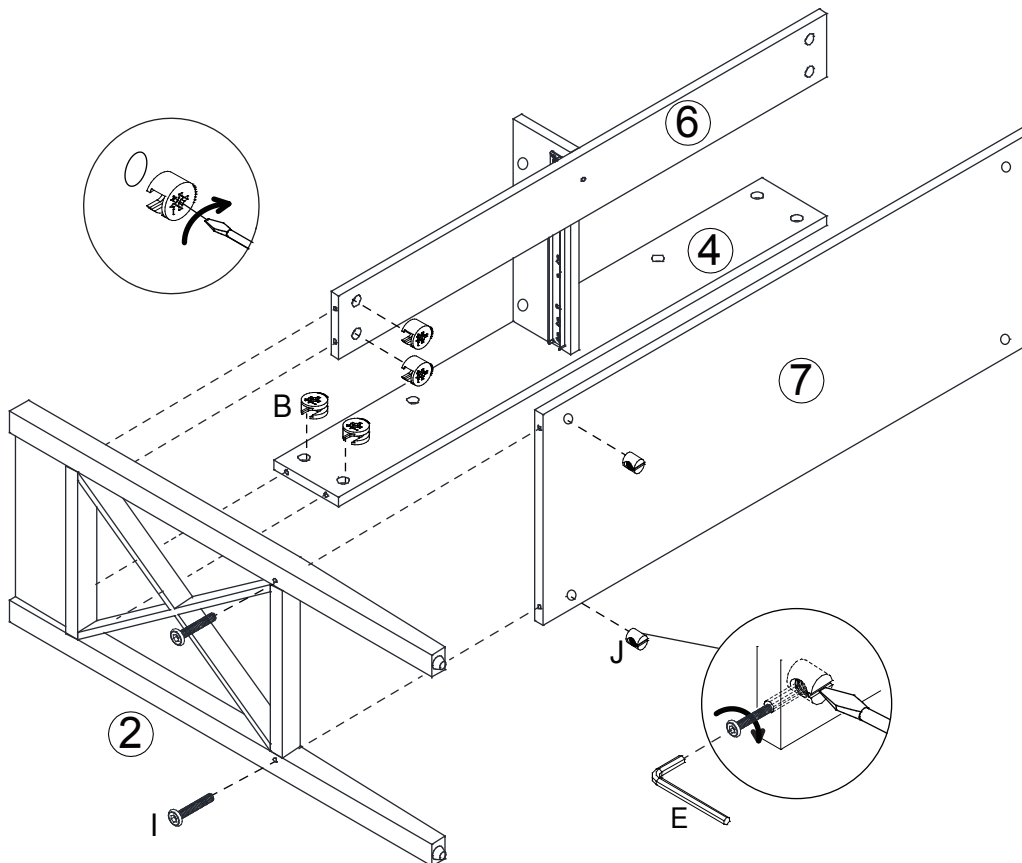
2xD	
1xN	


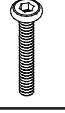

# Step 5



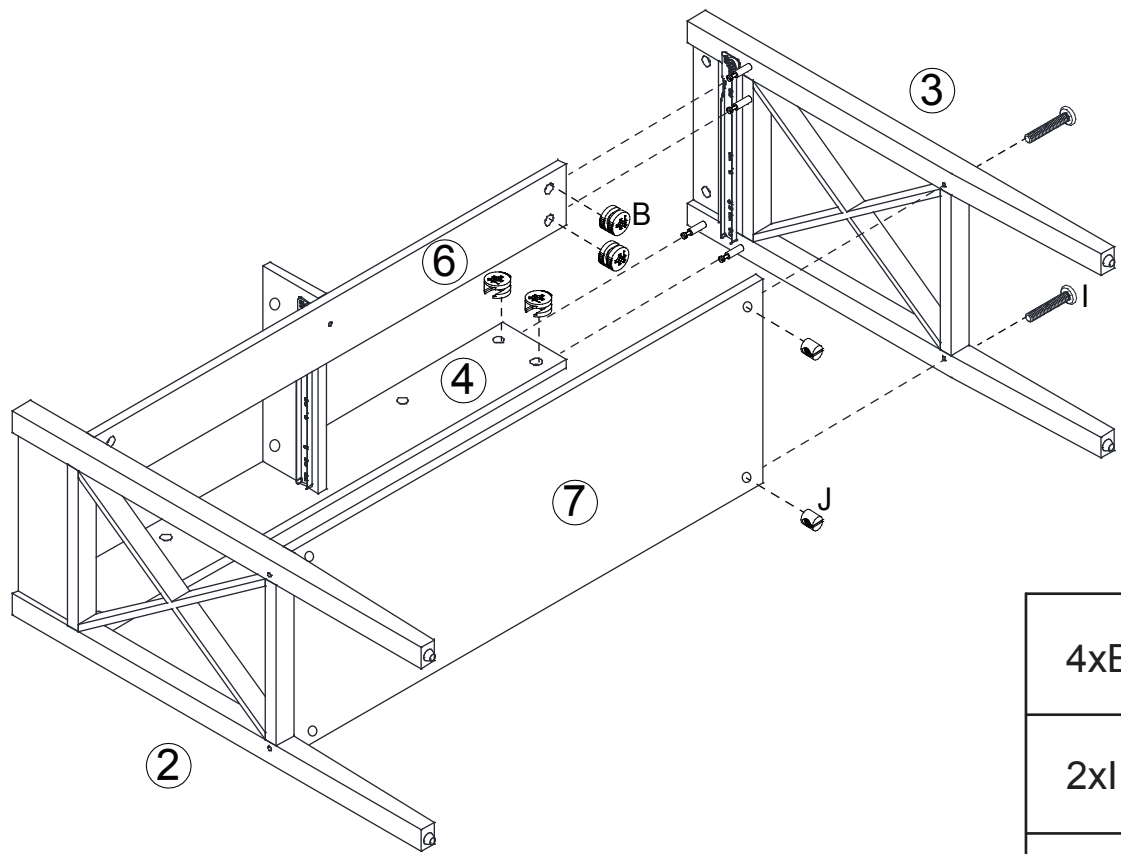
1xD	
1xN	


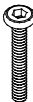

# Step 6



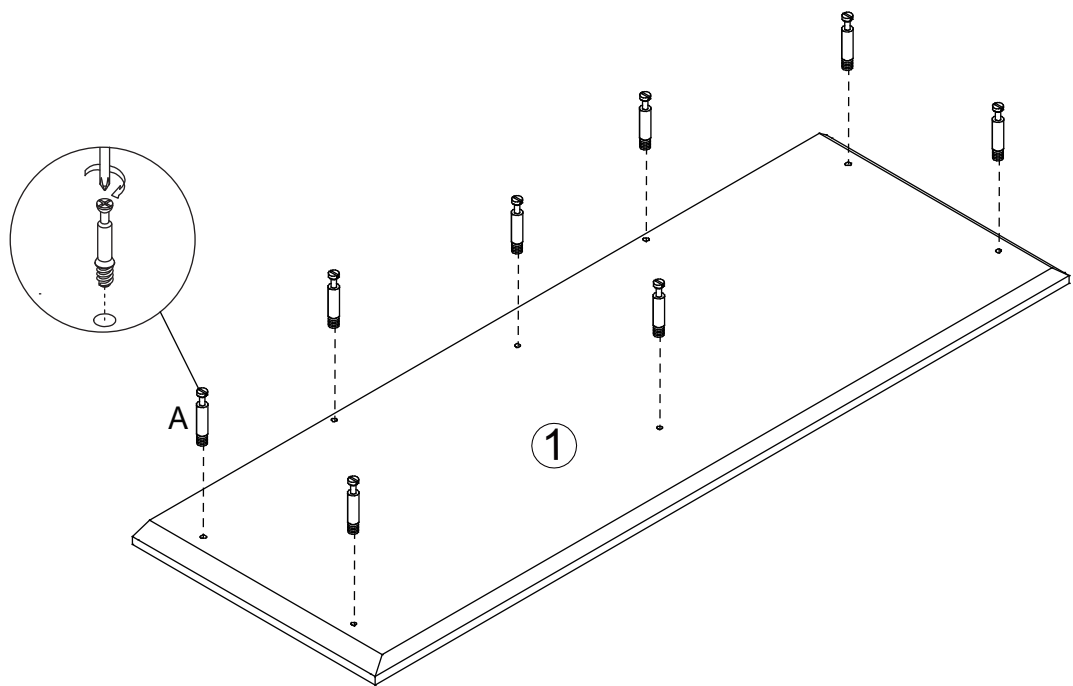
4xB	
2xI	
2xJ	

# Step 7



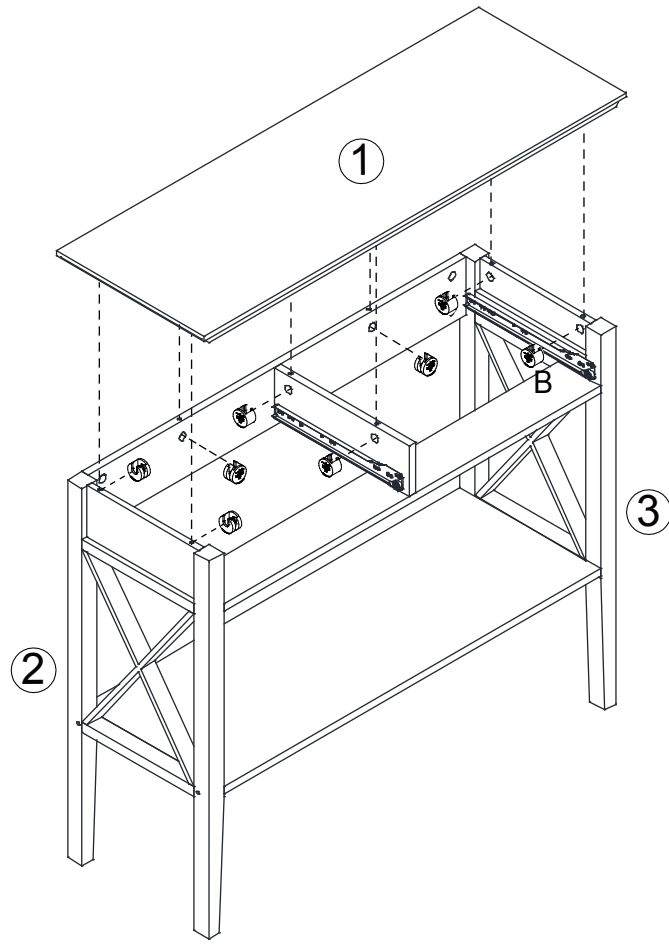
4xB	
2xI	
2xJ	

# Step 8



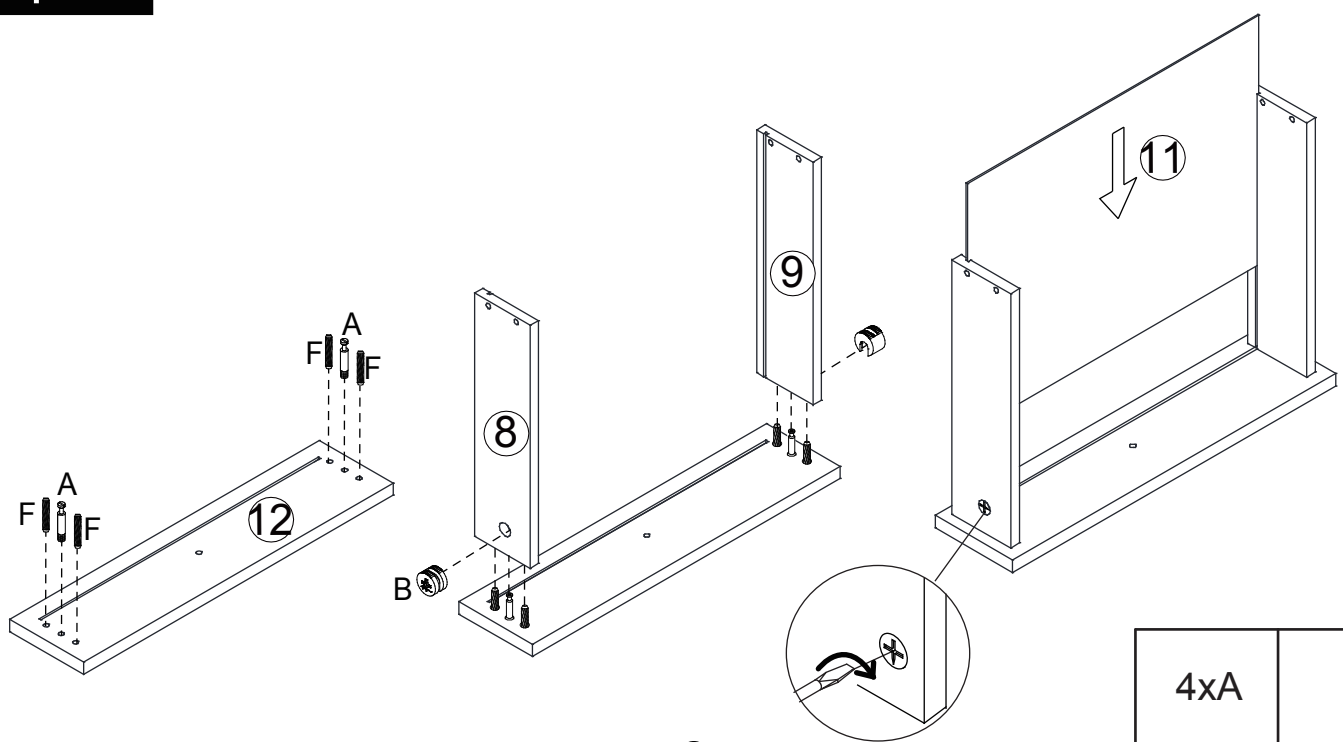
8xA	
-----	---

# Step 9






8xB	
-----	--

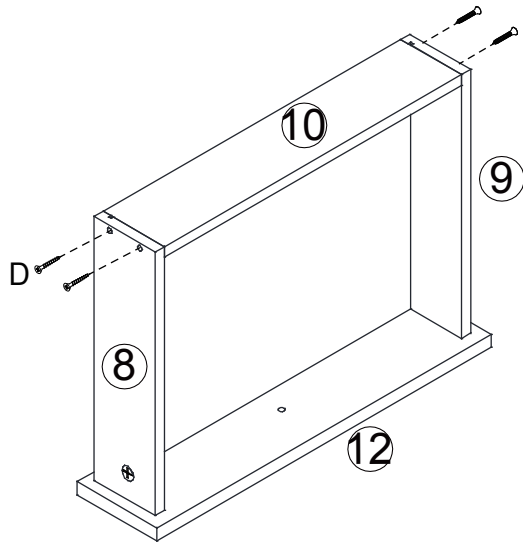
# Step 10



x2

4xA	
4xB	
8xF	

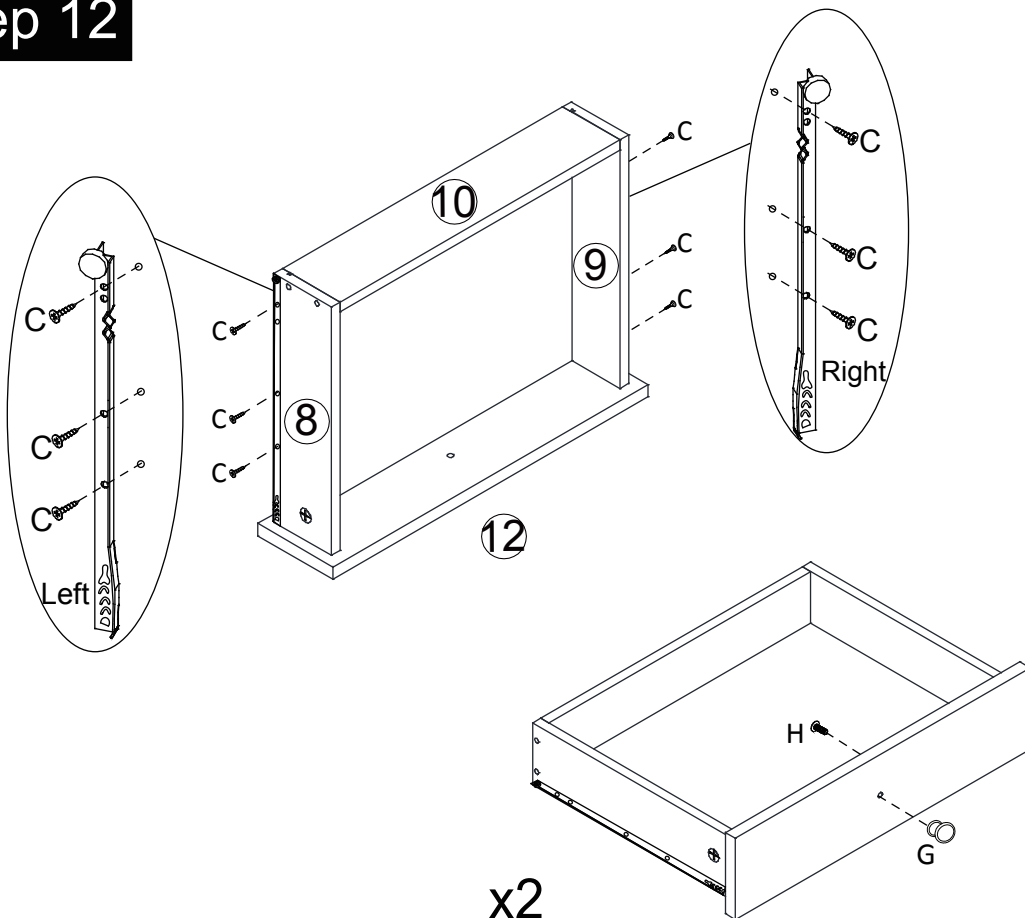
# Step 11


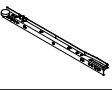
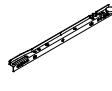




x2

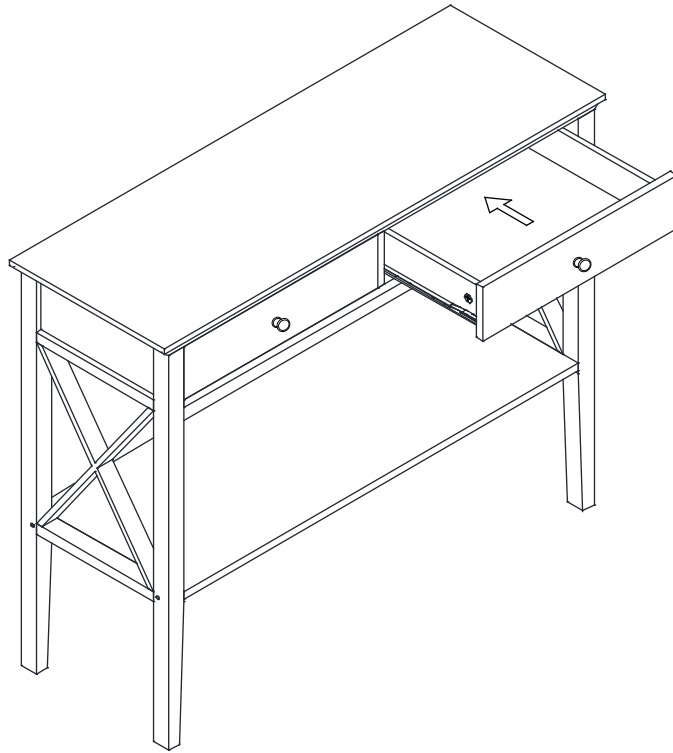
8xD	
-----	--

# Step 12

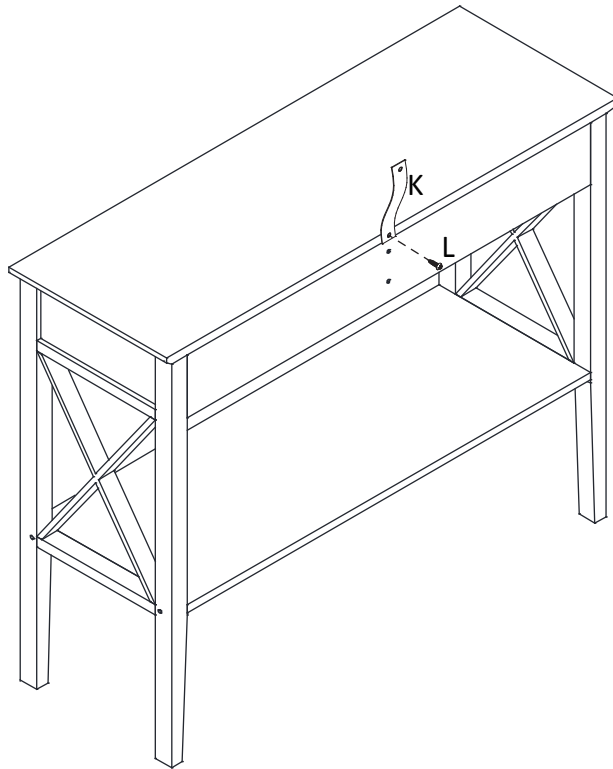




12xC	
Left	
Right	
2xG	
2xH	

## Step 13

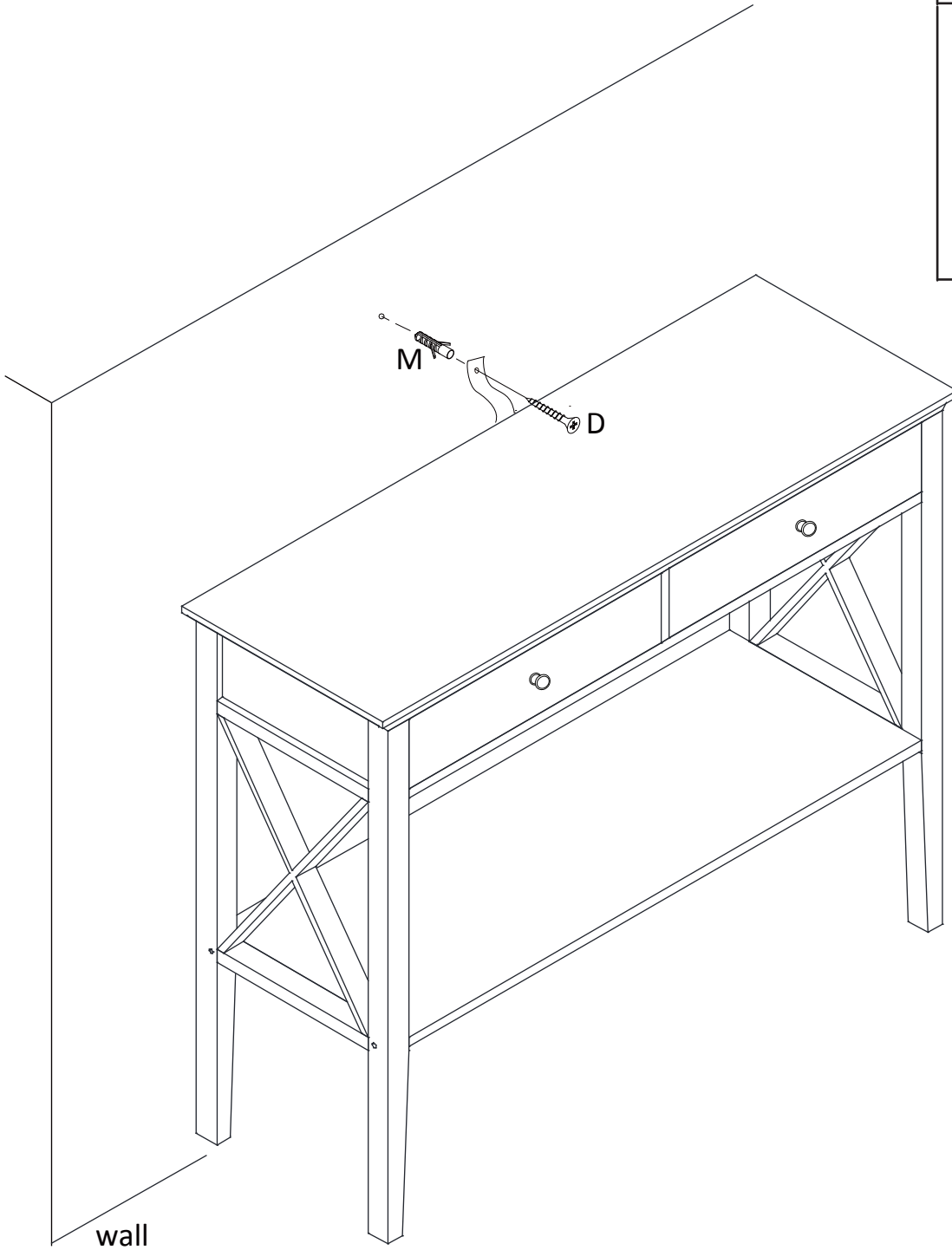
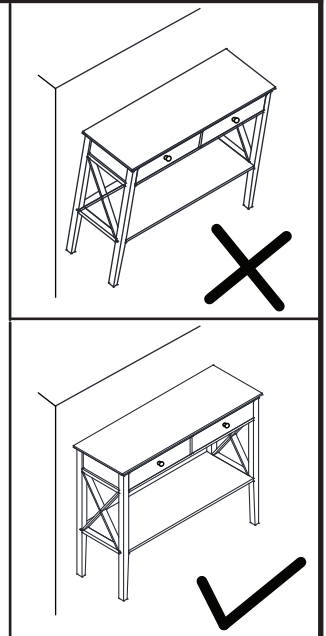



## Step 14



1xK	
1xL	

# Step 15



1xD	
1xM	