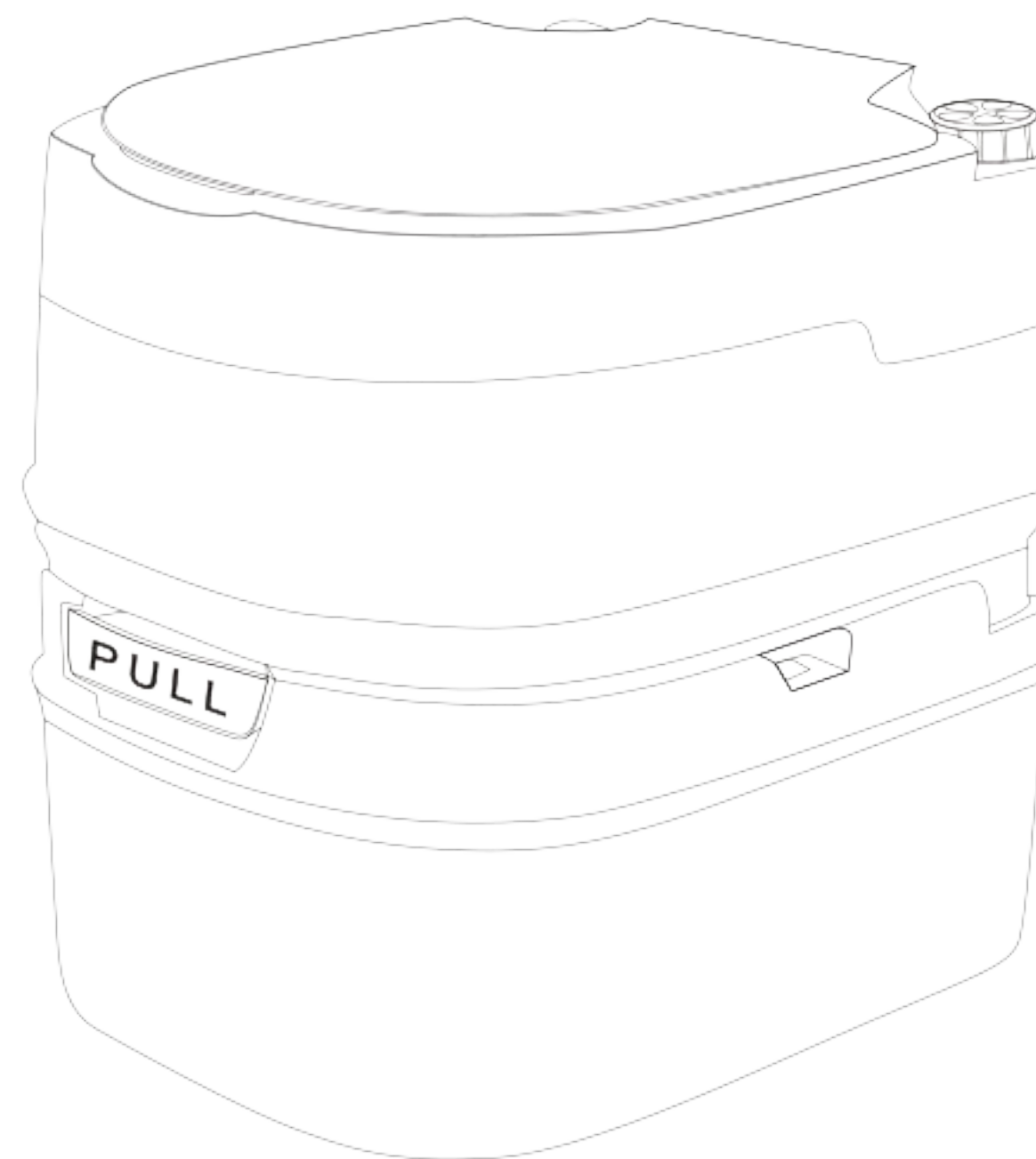


GDGMF-V1

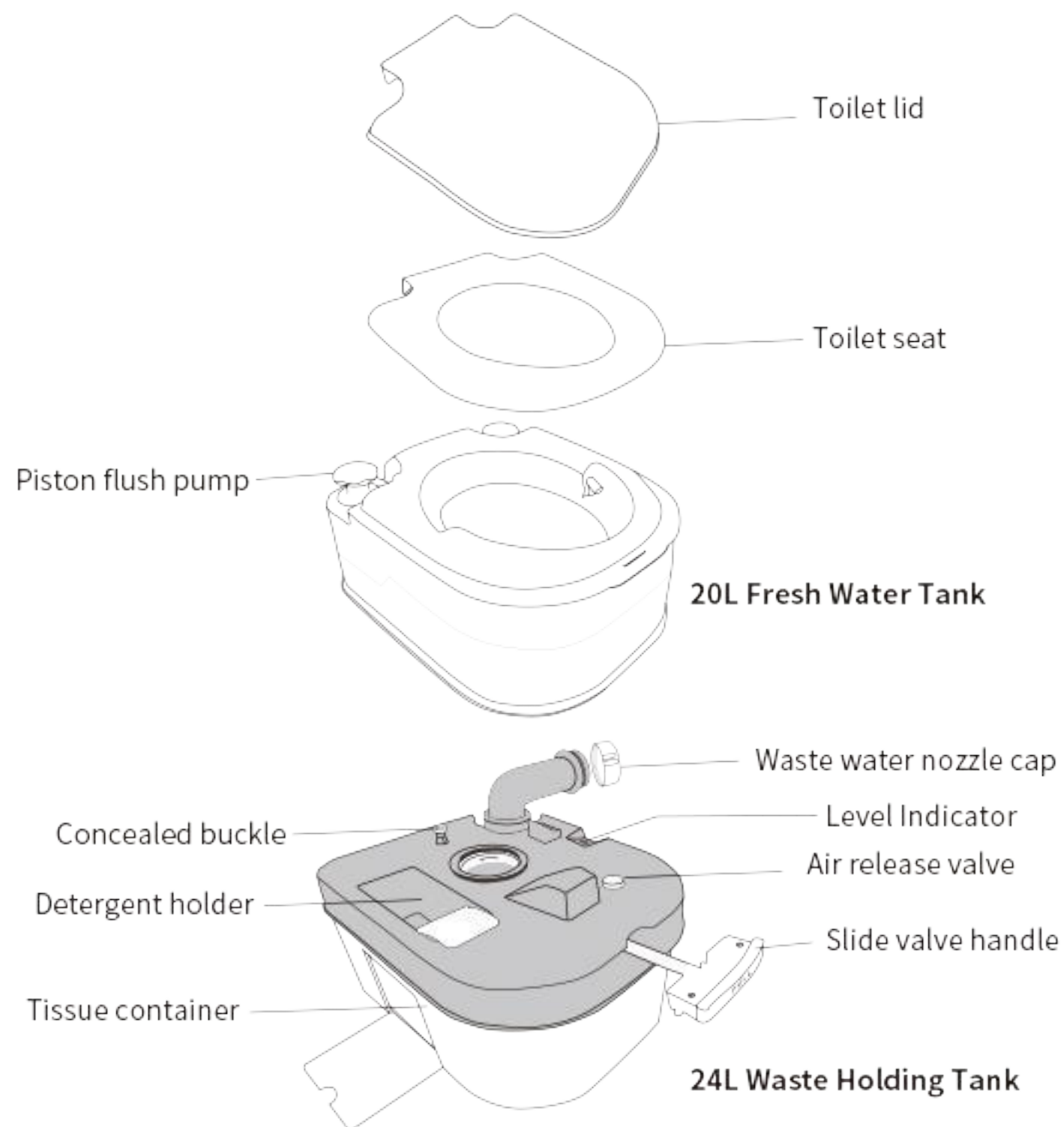
BFTLPT-1010



PORTABLE TOILET

## ASSEMBLY INSTRUCTIONS

### Product Structure



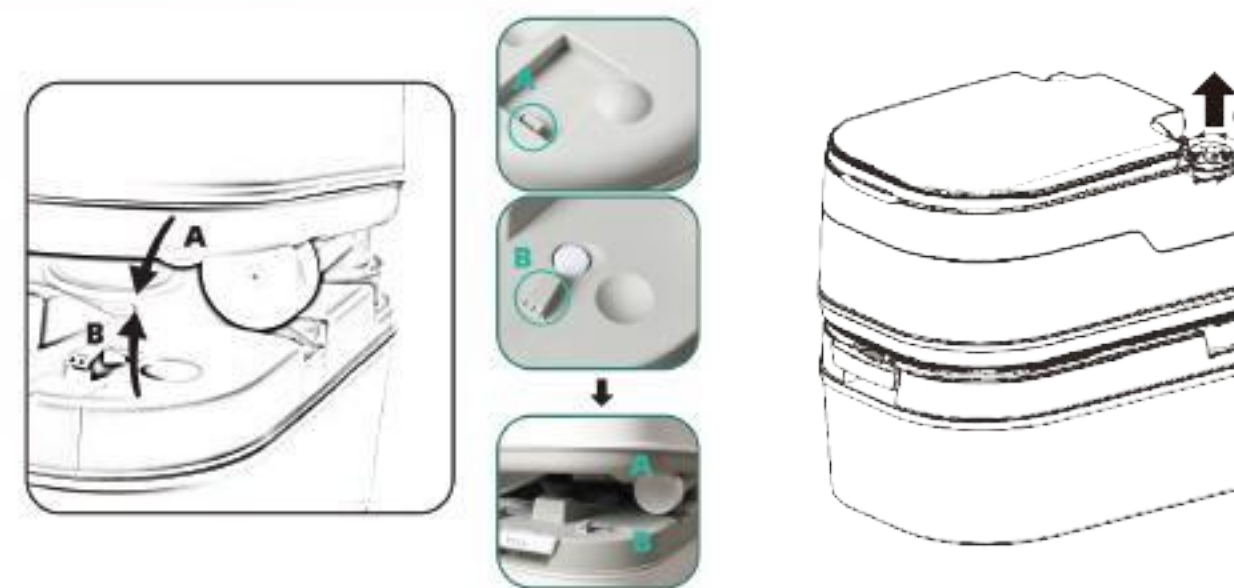
1

## ASSEMBLY INSTRUCTIONS

### Caution:

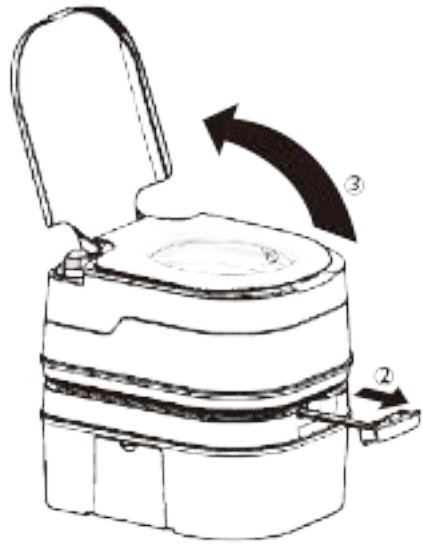
- Place on a flat surface.
- Ensure all latches are locked.
- Ensure the waste holding tank is assembled correctly and the cap is screwed on correctly.
- Weight bearing limit is no more than 200 kg.
- Do not lean on the seat cover during operation.
- Ensure water supply pressure is no more than 0.4Mpa.
- Do not use water with a temperature higher than 40 degrees.

### How to use

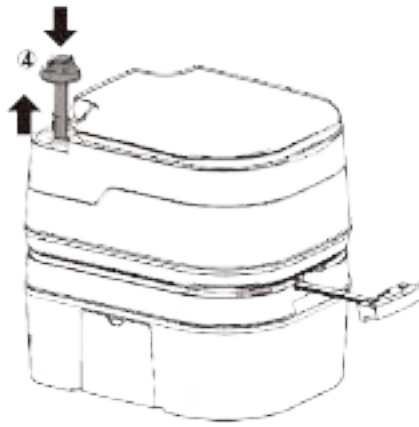


2

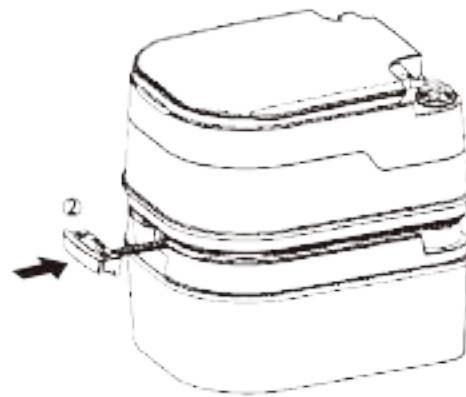
## ASSEMBLY INSTRUCTIONS



Step 3. Pull out the slide valve ② and open seat cover ③ before use.

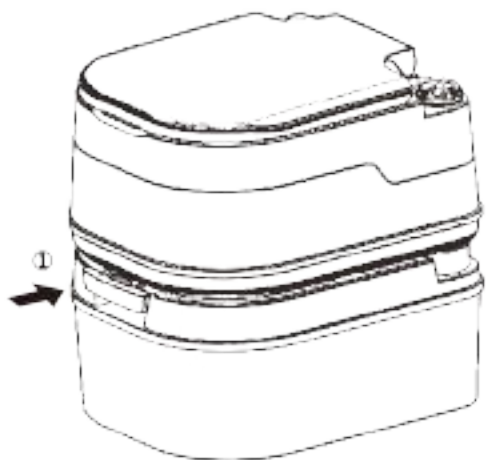


Step 4. Press the flush pump ④ one or more times to rinse the bowl. After using

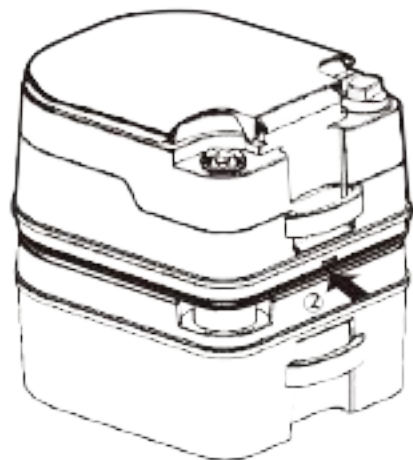


Step 5. Push the slide valve ② in to close it for next use.

## How to clean



Step 1. Keep the slide valve ① and seat cover closed.

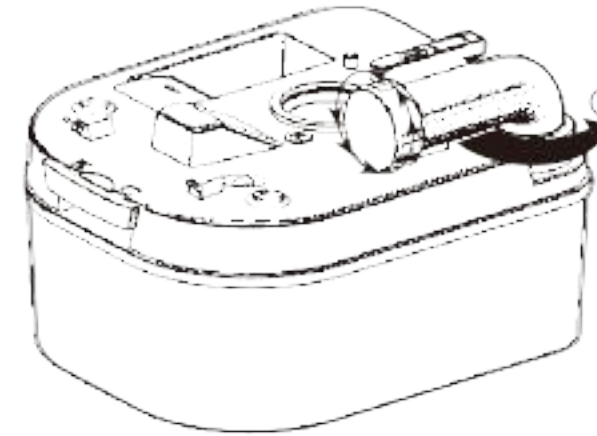


Step 2. Press the detachment button ② to separate the freshwater holding tank from the waste holding tank.

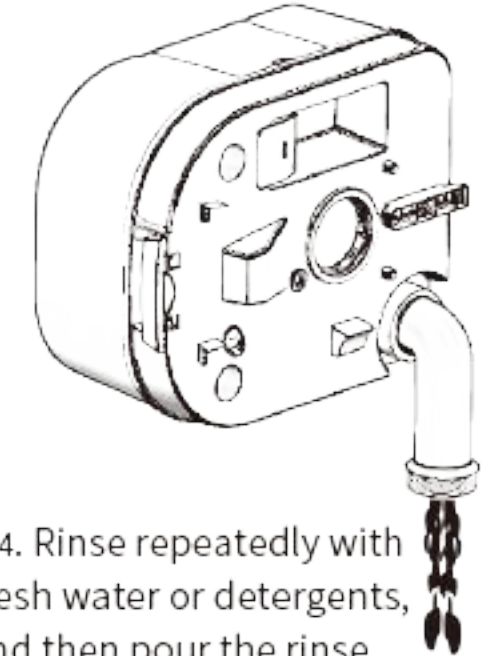


Detachment button

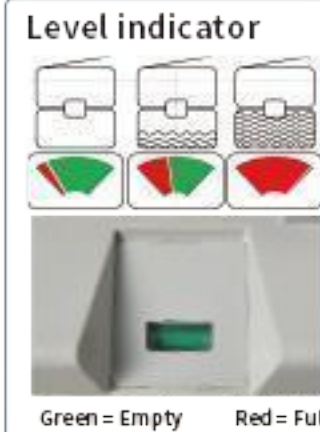
## ASSEMBLY INSTRUCTIONS



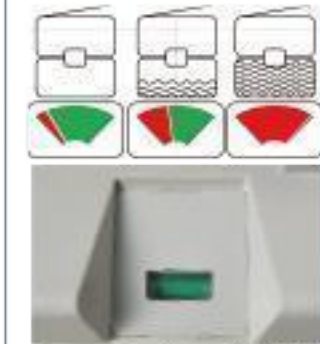
Step 3. Rotate the waste water spout ③, then unscrew the cap to pour waste into the permanent toilet facility.



Step 4. Rinse repeatedly with fresh water or detergents, and then pour the rinse water into the permanent toilet facility.



Level indicator



Air Release Valve



Press the valve to prevent splashing when emptying.



Detergent holder



Designed for storing detergents. Portable and easy to clean.



Tissue container



Designed for holding tissue, so you won't be missing tissues when urgently needed.

## Maintenance and Storage

1. Clean the tanks regularly in order to achieve long term storage.
2. Lubricate the slide valve periodically with lubricants (Vaseline recommended).
3. Release the waste holding tank cap for long term storage.
4. Avoid strong sunlight and high temperatures.