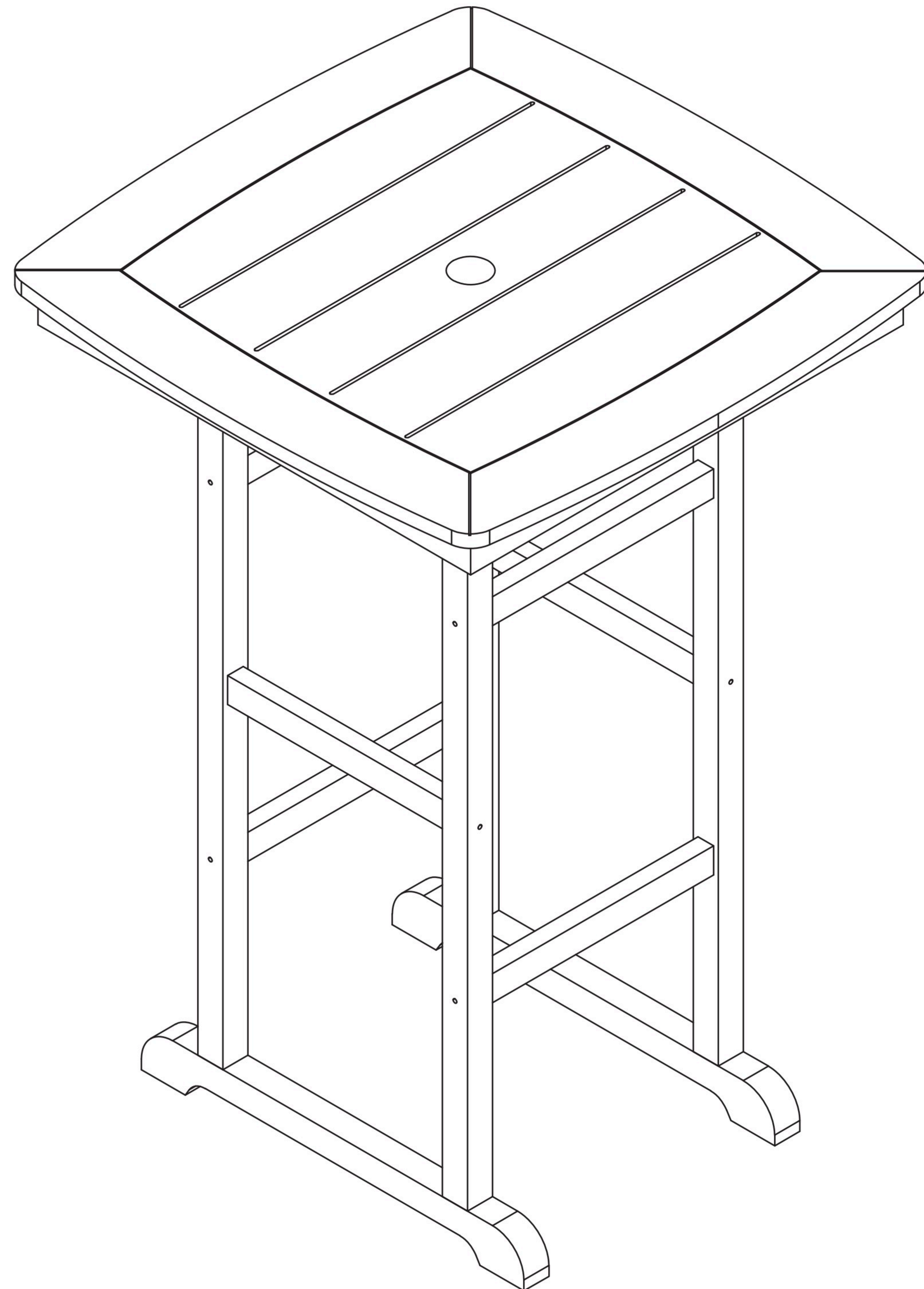


# Assembly Instruction

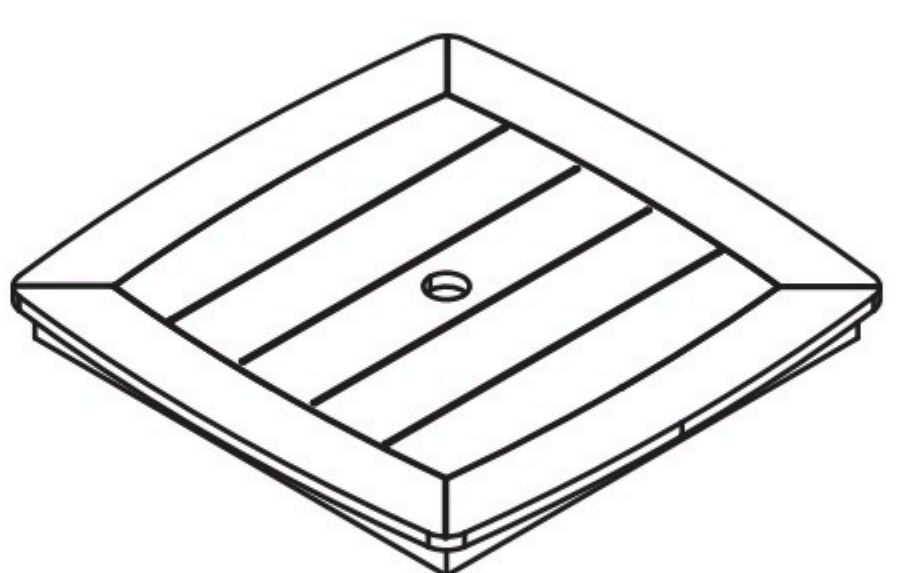
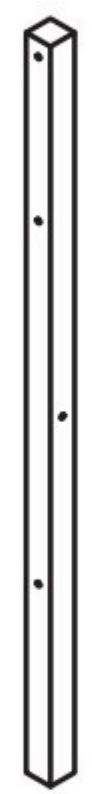
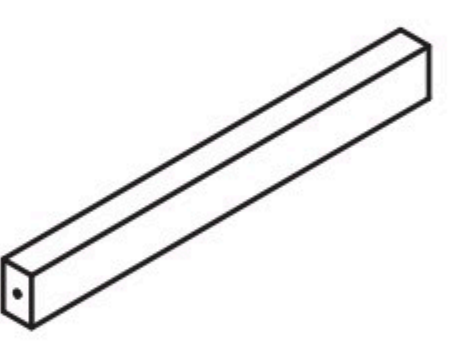
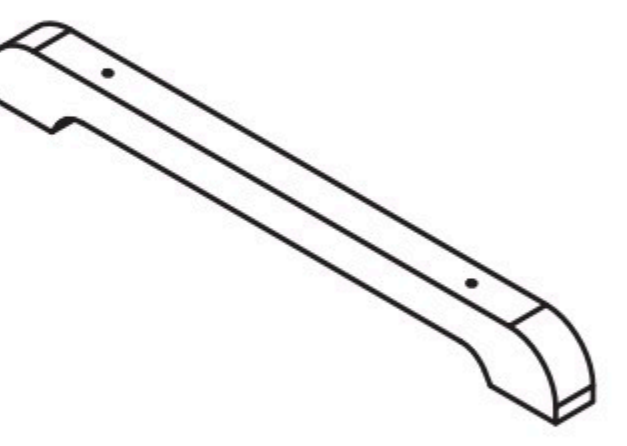
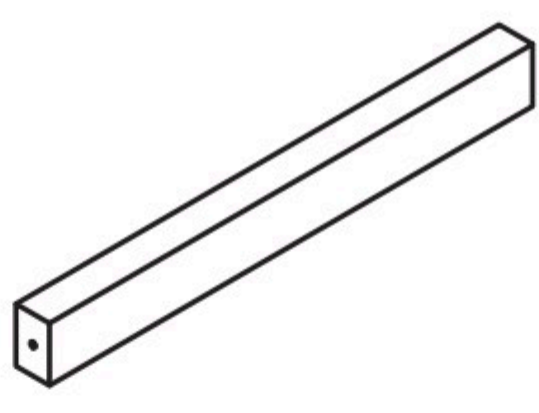


## PRE-ASSEMBLY PREPARATION

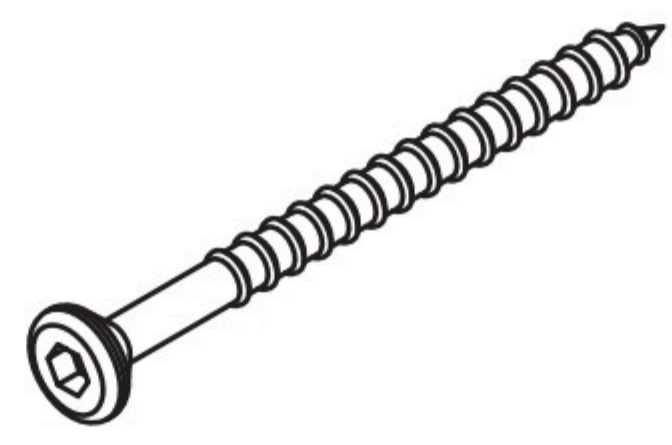
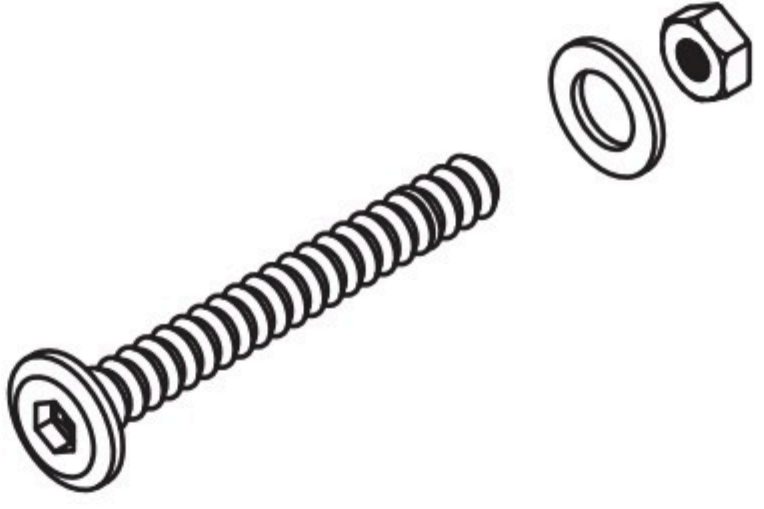
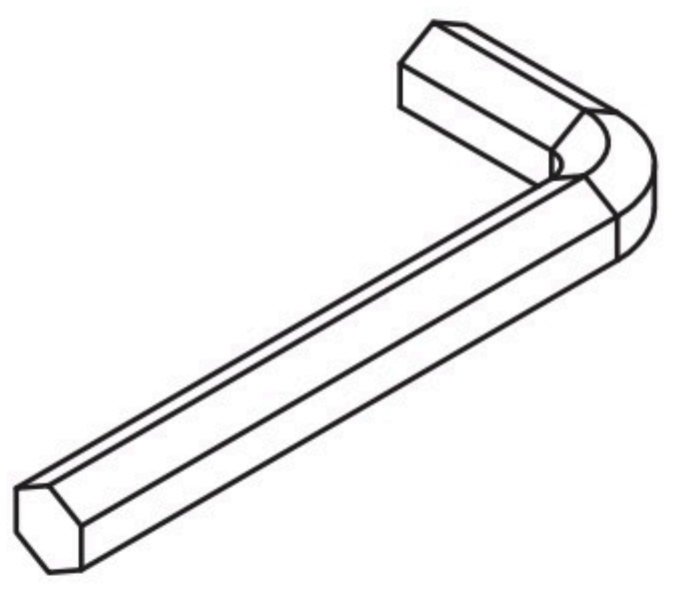
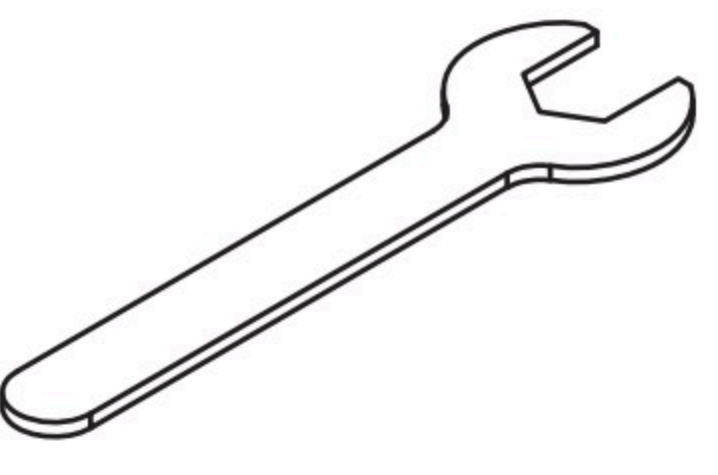
**WARNING!** DO NOT LET CHILDREN PLAY IN OR AROUND THE UNIT DUE TO THE POSSIBLE RISK OF FINGER ENTRAPMENT

- Please read through this instruction before beginning assembly.
- Two adults assembly is recommended.
- Clear out the space for assembly and lay out all parts base on Parts List, extra room will allow you to easily determine if all the pieces are present.
- Save all packing materials until assembly is complete to avoid accidentally discarding smaller parts or hardware.
- Keep small parts and pieces away from children until fully assembly.
- **Do not fully tighten the bolts until all have been inserted and hand tightened.**
- Please check for any loose screws and tighten them before use.

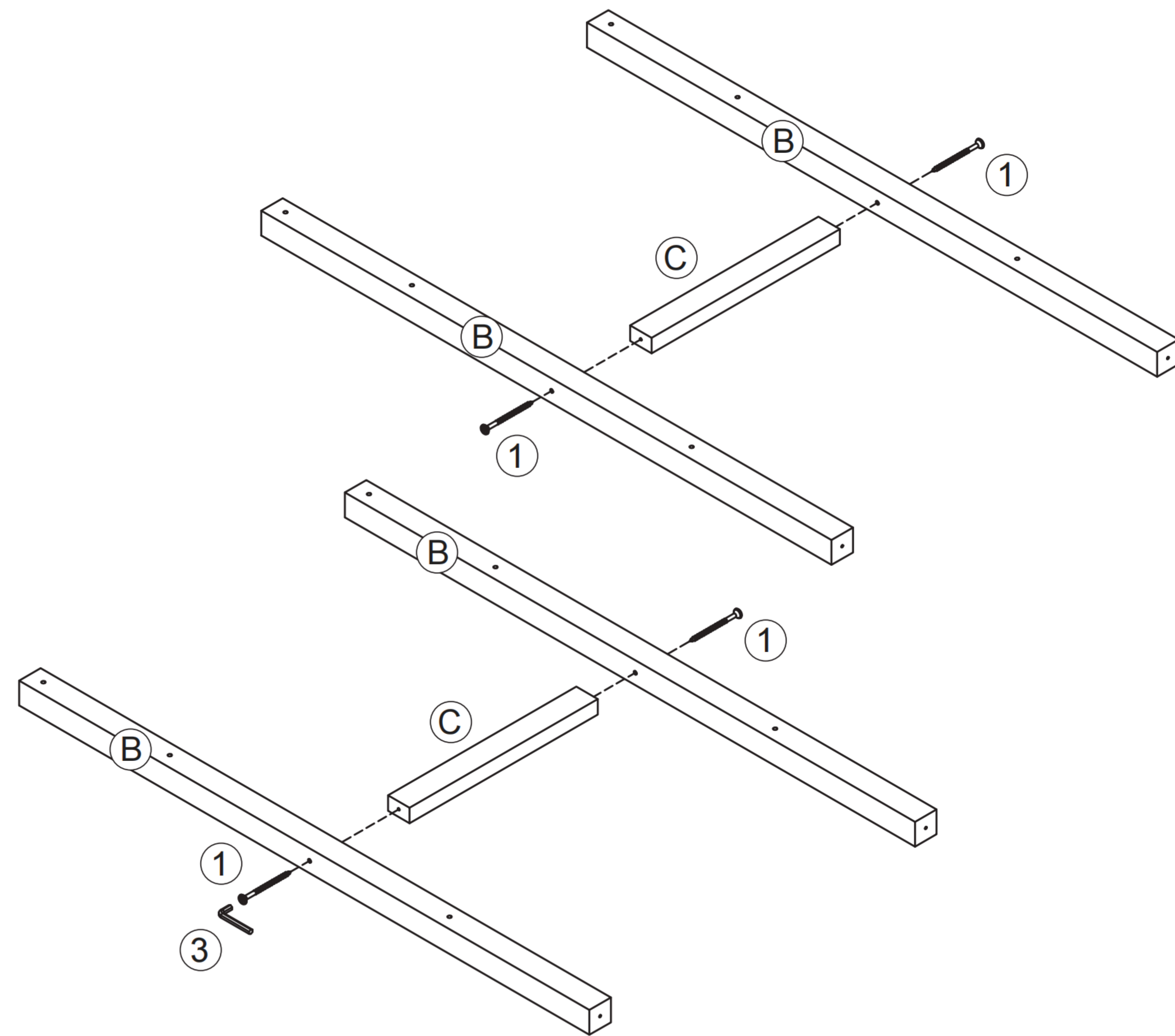
## PANEL AND FITTINGS IDENTIFICATION

|  |  |  |  |
|--|--|--|--|
| <p>(A)</p>  <p>Qty: 1</p>   | <p>(B)</p>  <p>Qty: 4</p> | <p>(C)</p>  <p>Qty: 2</p> | <p>(D)</p>  <p>Qty: 2</p> |
| <p>(E)</p>  <p>Qty: 4</p> |  |  |  |

## HARDWARE LIST

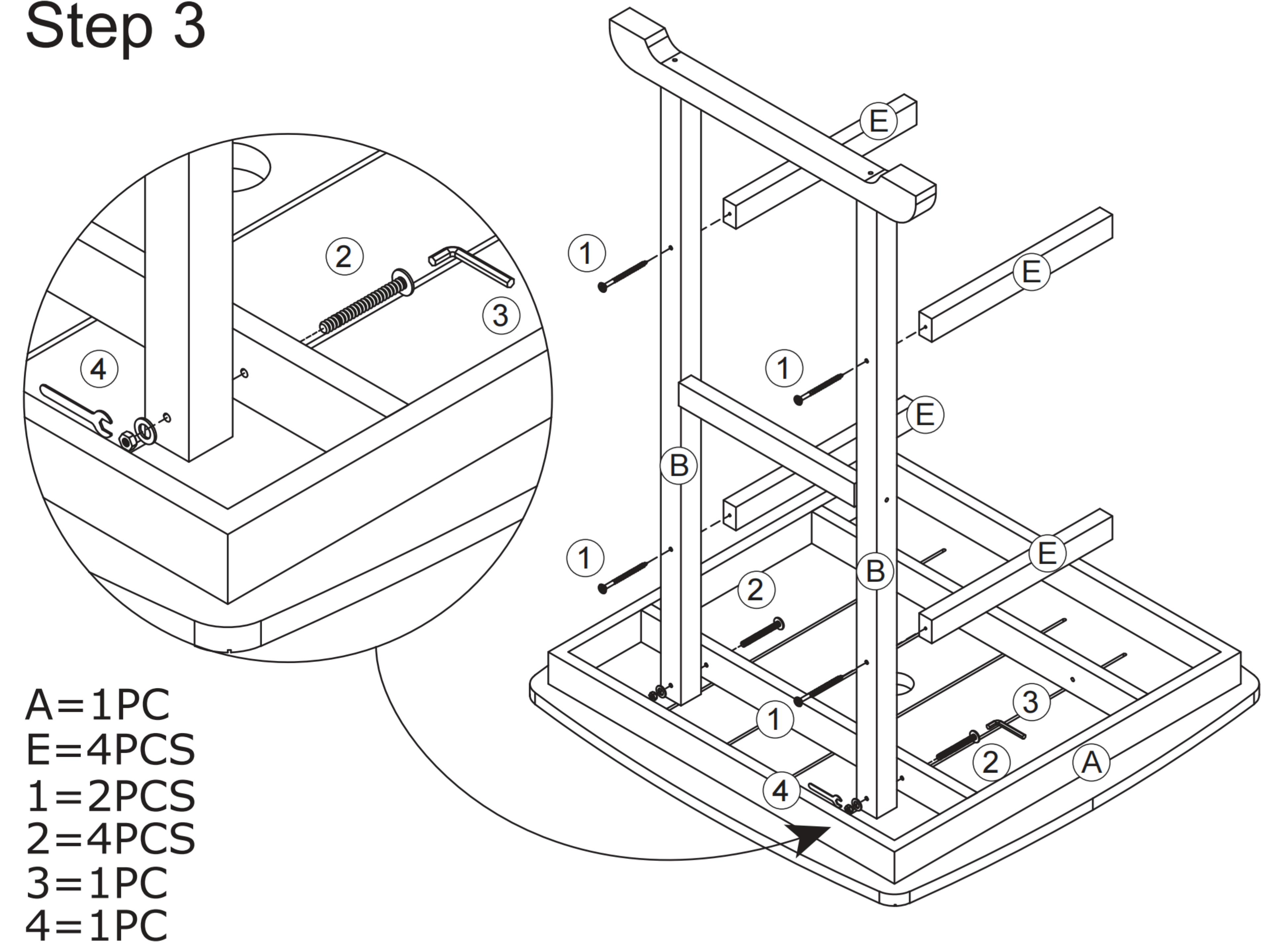
|   |   |   |  |
|---|---|---|--|
| <p>Screw (1)</p>  <p>M6 x 80mm Qty: 16</p> | <p>Bolt (2)</p>  <p>M6 x 70mm Qty: 4</p> | <p>Allen Wrench (3)</p>  <p>Qty: 1</p> | <p>Open End Wrench (4)</p>  <p>Qty: 1</p> |
|---|---|---|--|

# Step 1



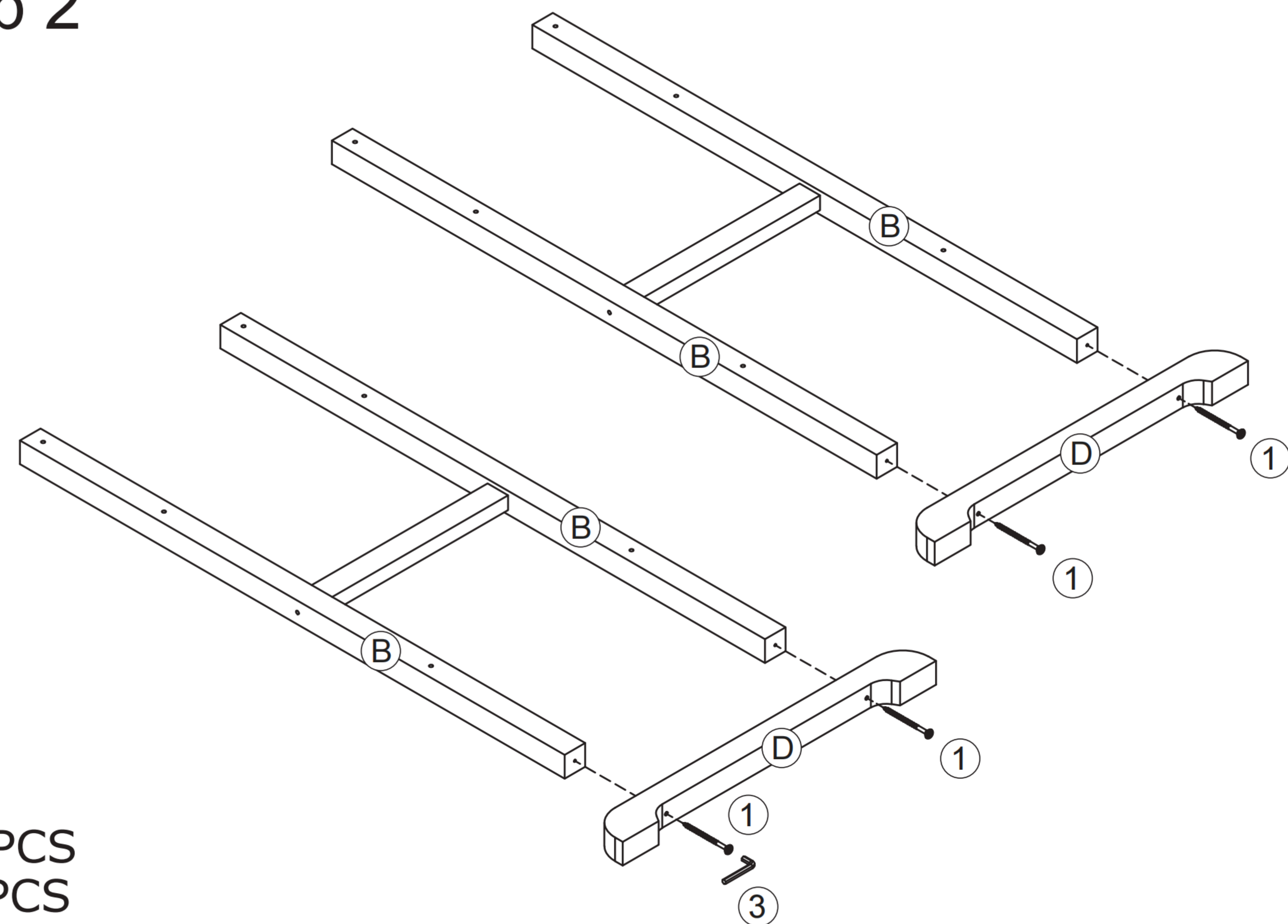
B=4PCS  
C=2PCS  
1=4PCS  
3=1PC

# Step 3



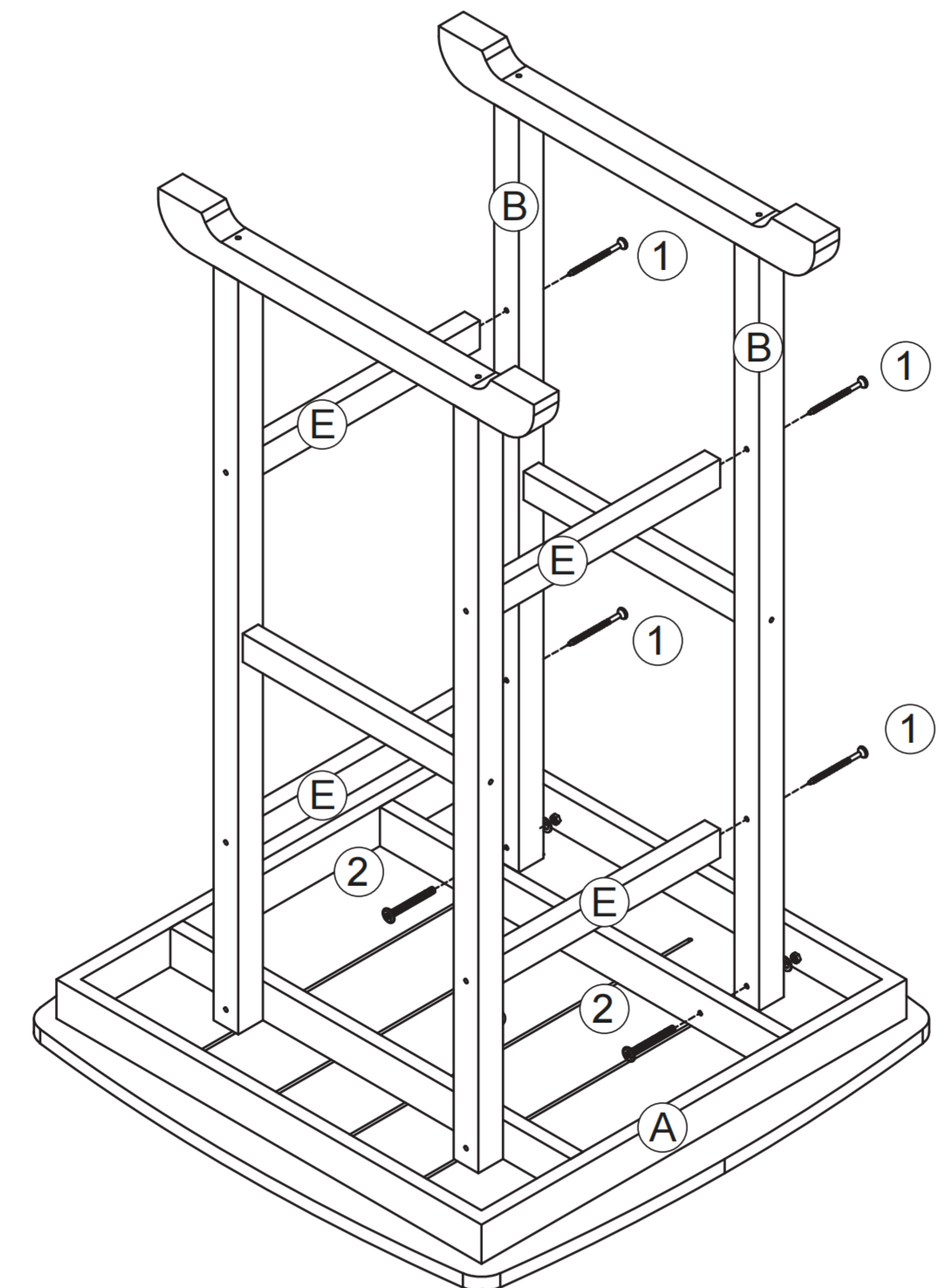
A=1PC  
E=4PCS  
1=2PCS  
2=4PCS  
3=1PC  
4=1PC

# Step 2



D=2PCS  
1=4PCS  
3=1PC

# Step 4



1=4PCS  
2=2PCS

# Ten End

