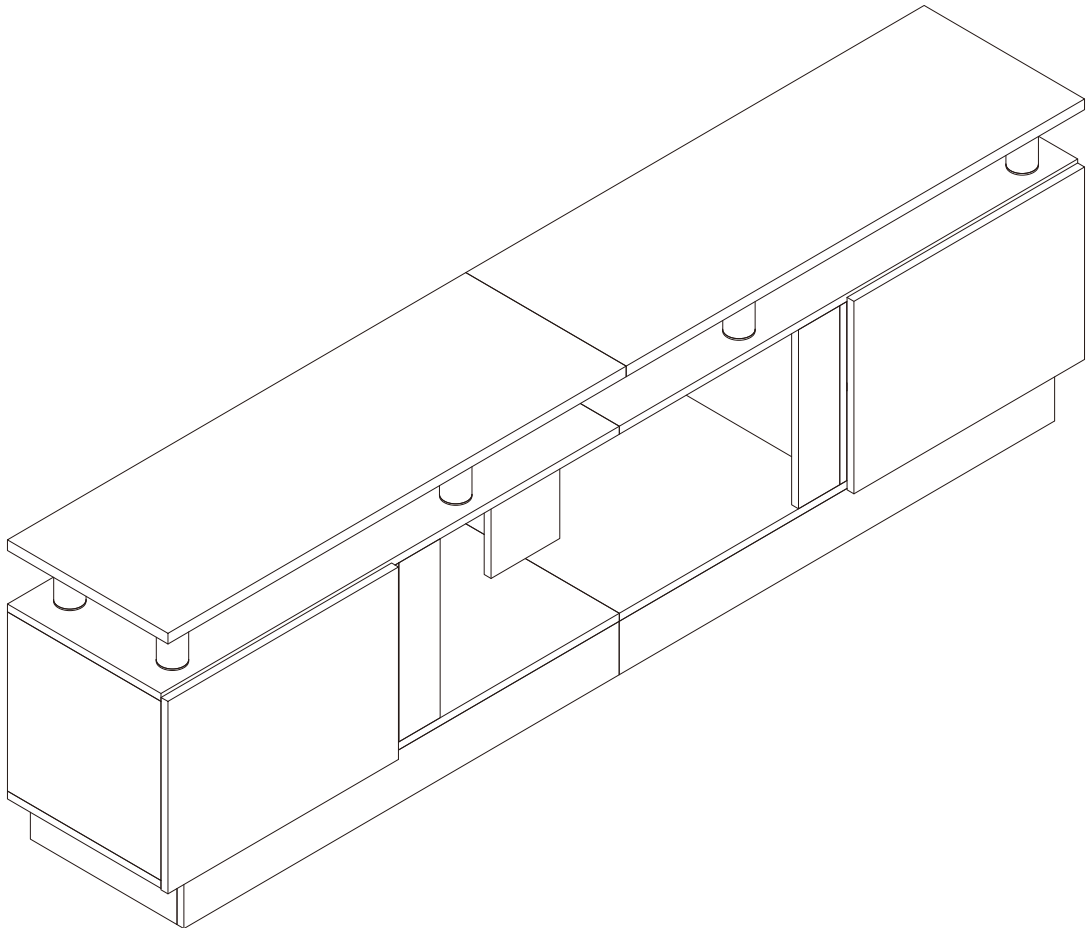


MANUAL INSTRUCTION

TV Stand



**We offer a diverse range of products
to meet the needs of customers**

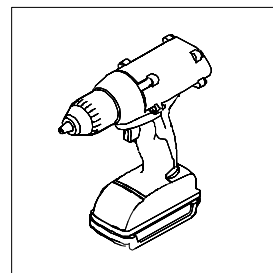
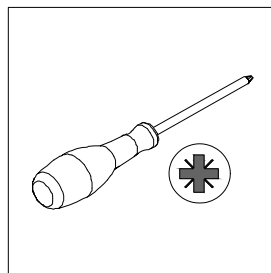
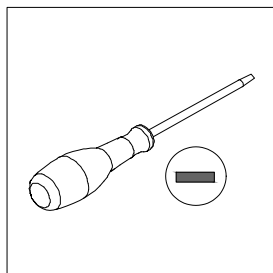
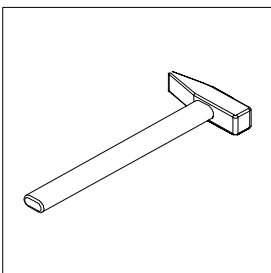
Notes

1. The product must be assembled and used in accordance with the provisions of the manual. The seller does not assume any responsibility or liability with respect to any damage caused by incorrect assembly or improper use.
2. Periodically inspect screw tightness while the product is in use. If necessary, retighten to ensure structural integrity.
3. Please read assembly instructions before start.
4. Please remember : This summary may not include every detail of all variations or considered steps.
- * 5. Please contact us when further information are needed.

Warnings

1. It is strictly prohibited to sit or stand on the product.
2. Please put this item on a flat ground.
3. During the assembly process, keep any small parts out of the reach of children. It may be fatal if swallowed or inhaled
4. To avoid the potential dangers of suffocation, please keep all parts and packaging (films, plastic bags and foam, etc.) away from babies and children.
5. If there is/are defective and/or missing part(s) after unpacking, please cease assembly immediately and get in contact with us as soon as possible.

Tools Required



If electric tools are required, please reduce the torque to prevent product damage during installation.

PARTS



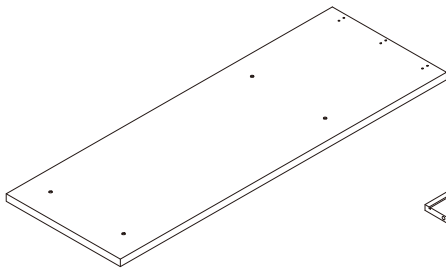
2 Persons Assembly



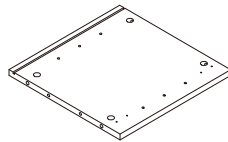
Up to 60 Minutes For Assembly



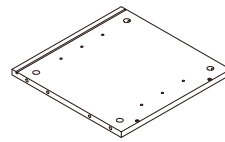
When installing, please carefully confirm whether each screw corresponds to the manual, accessories with similar shapes can be distinguished by size.



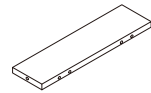
1 x2



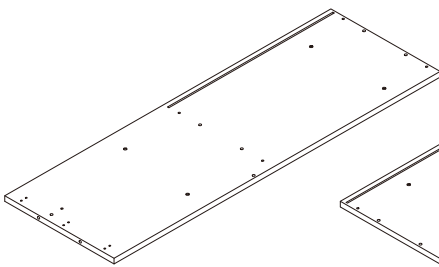
2 x2



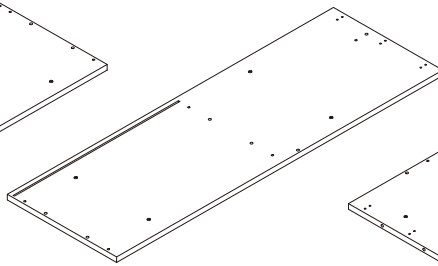
3 x2



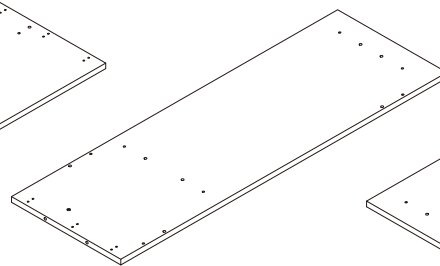
4 x2



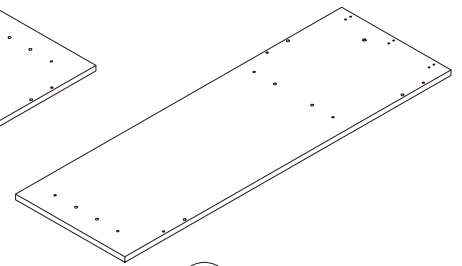
5 x1



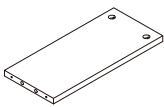
6 x1



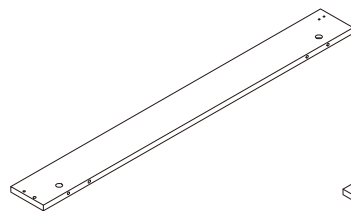
7 x1



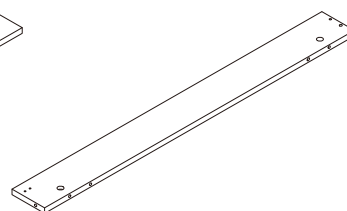
8 x1



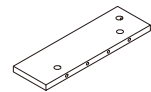
9 x1



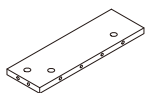
10 x1



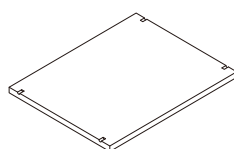
11 x1



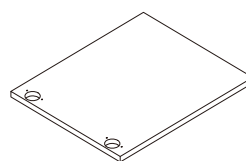
12 x1



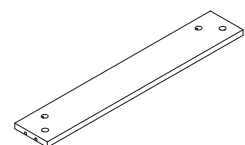
13 x1



14 x2

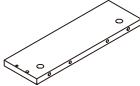


15 x2

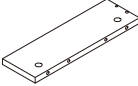


16 x1

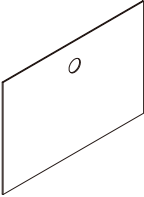
PARTS



17 x1



18 x1



19 x2

HARDWARE



Φ6x35mm
A x36



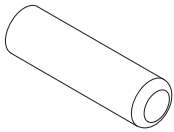
Φ15x9mm
B x36



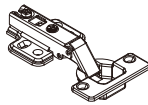
M4x40mm
C x6



Φ6x30mm
D x53



Φ5x20mm
E x8



Φ35mm
F x4



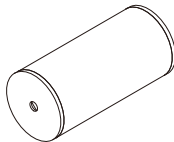
M3.5x14mm
G x24



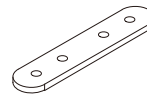
Φ20mm
H x20



M6x125mm
I x8



Φ51x100mm
J x8

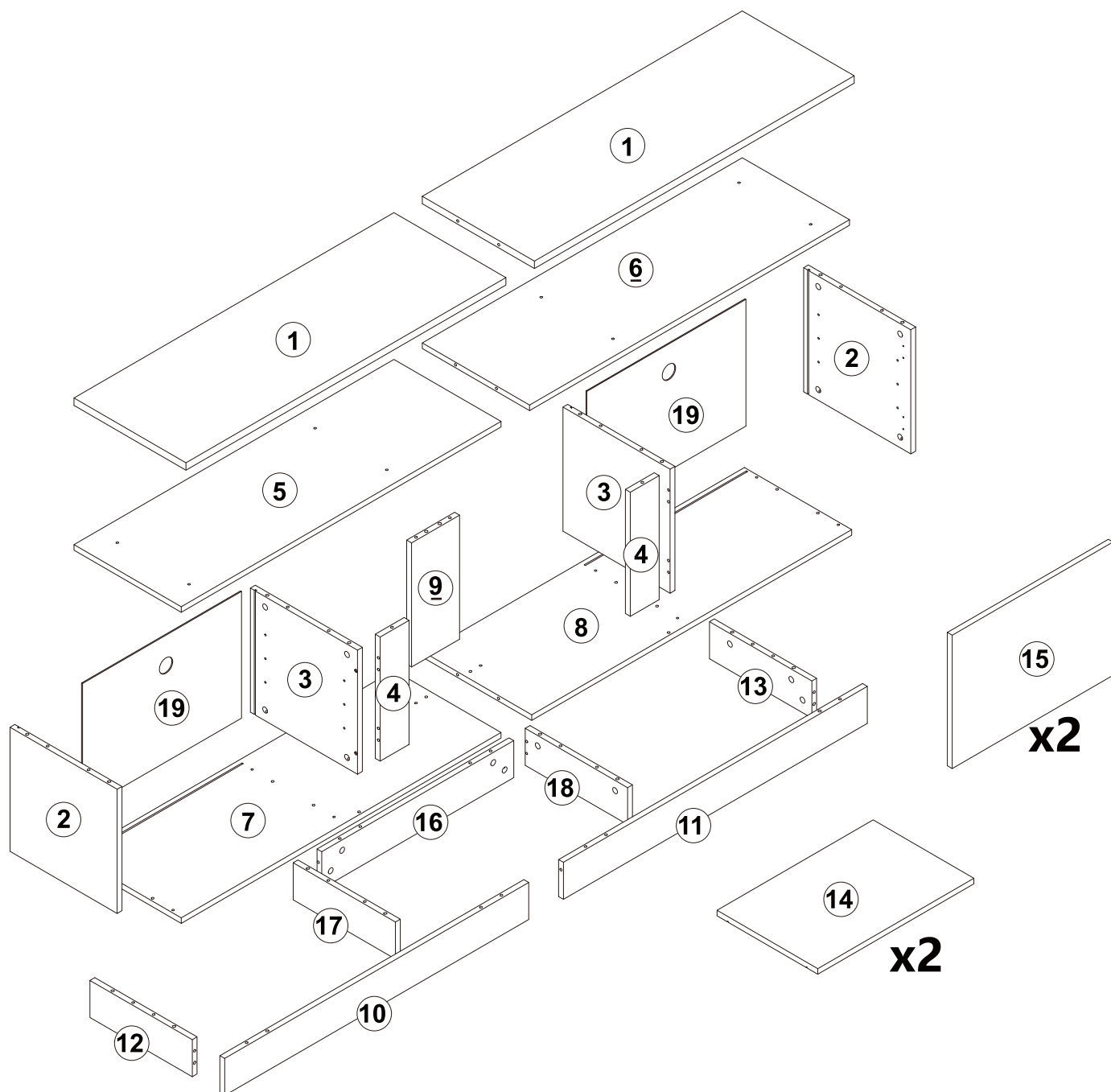


Φ 25mm
K x10

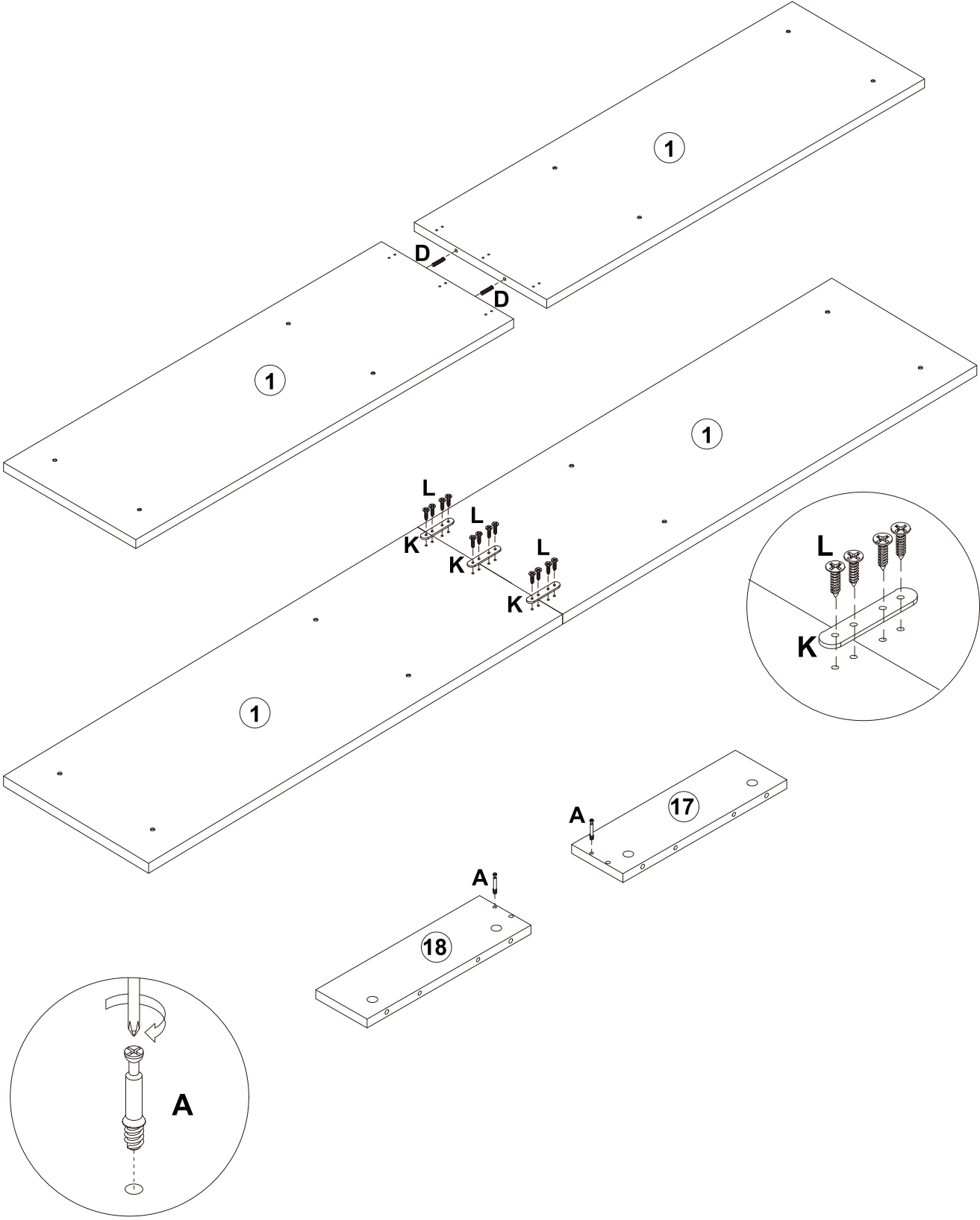
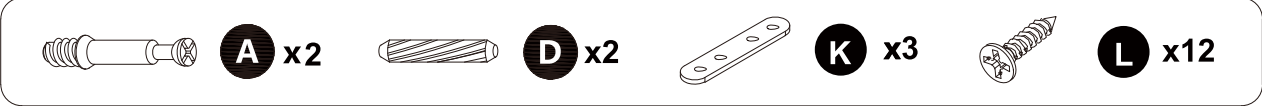


M3.5x14mm
L x40

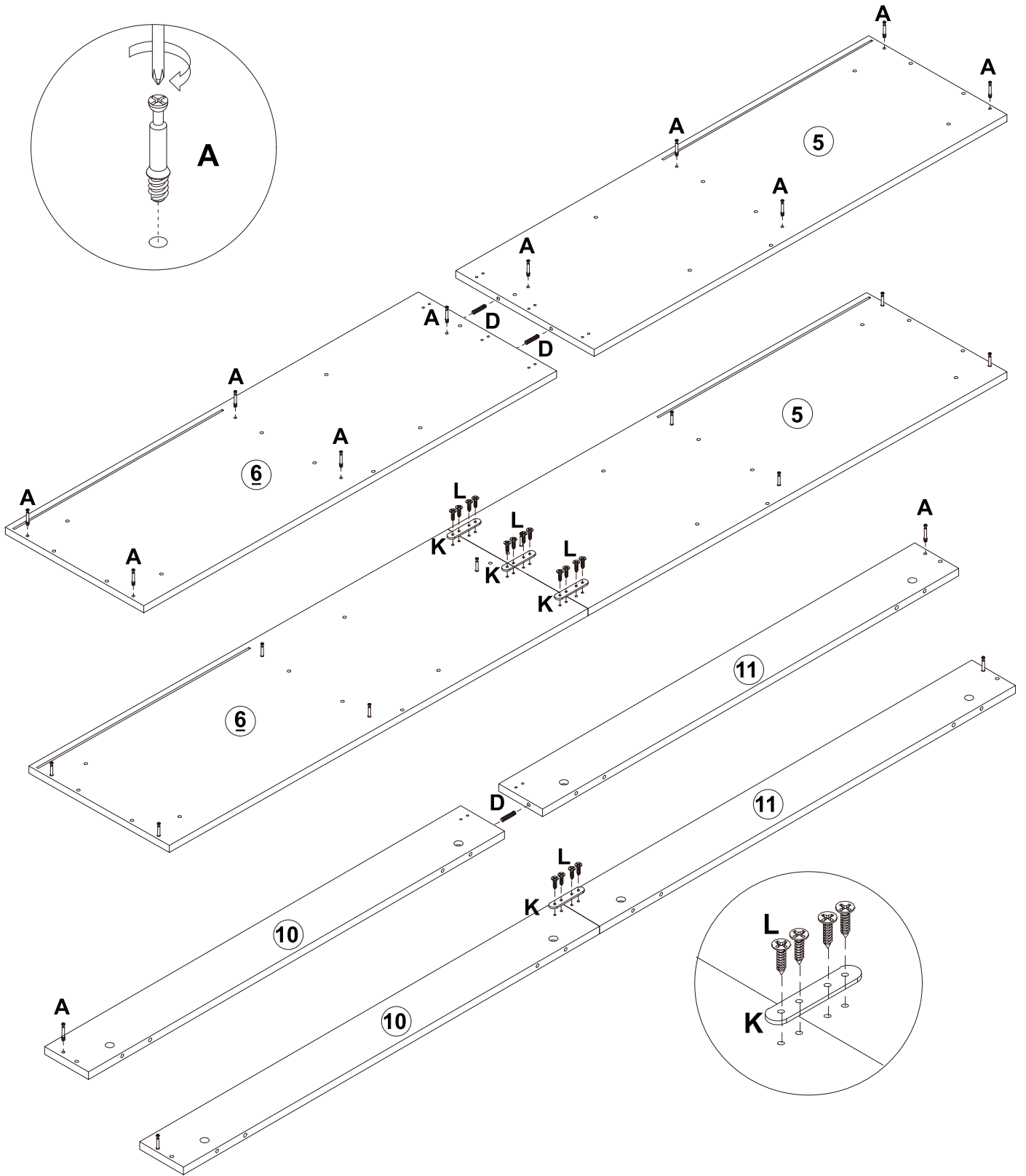
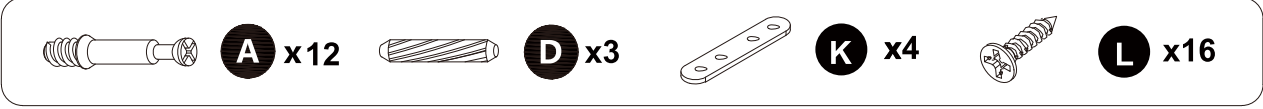
EXPLOSION DIAGRAM



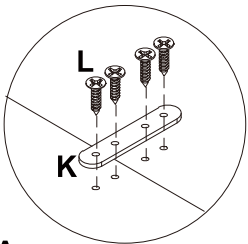
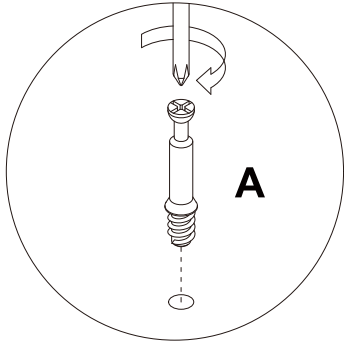
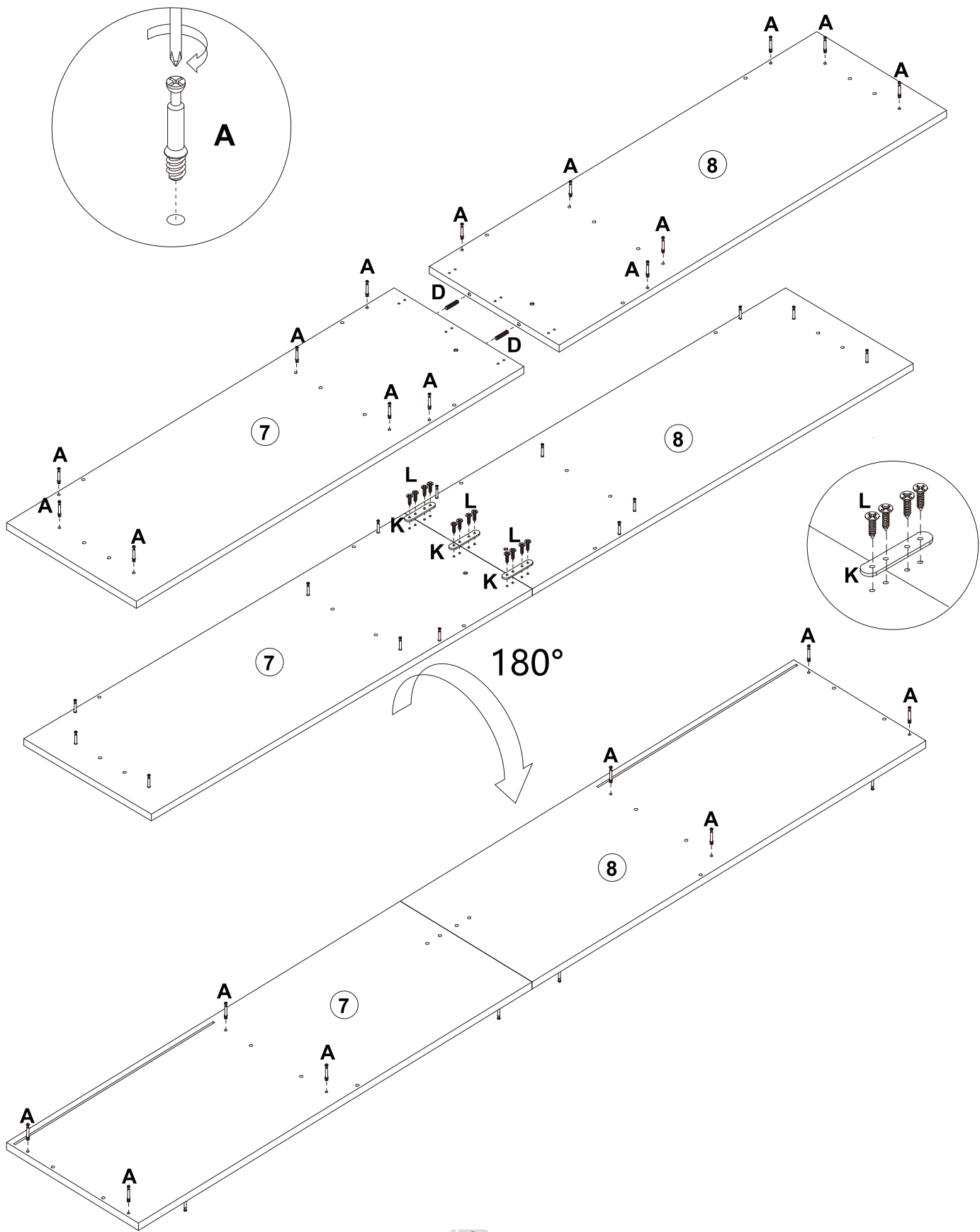
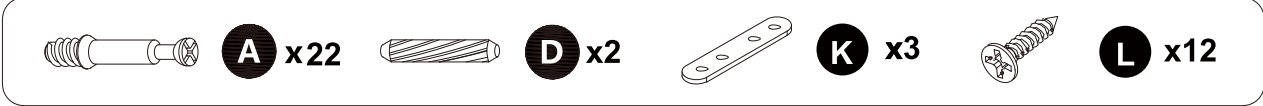
1



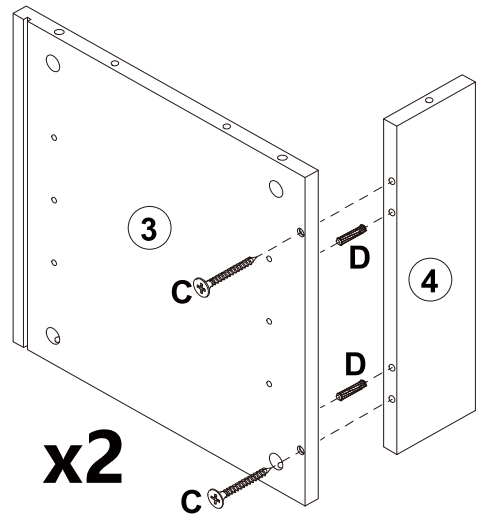
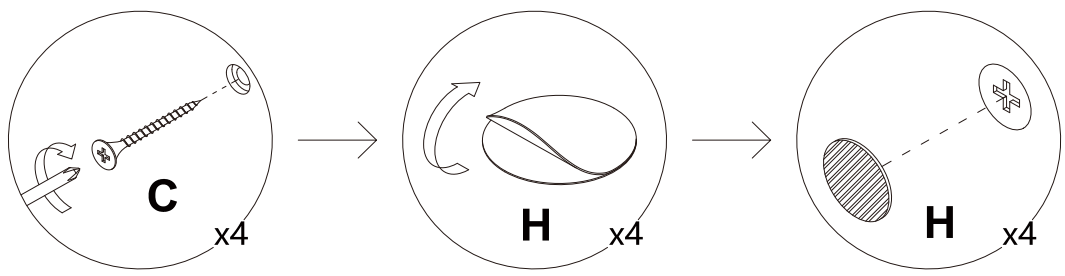
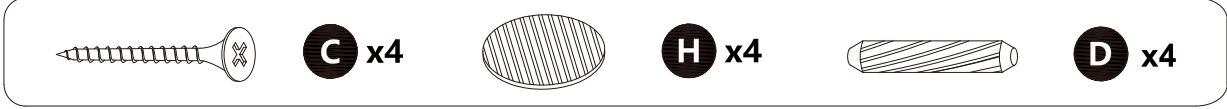
2



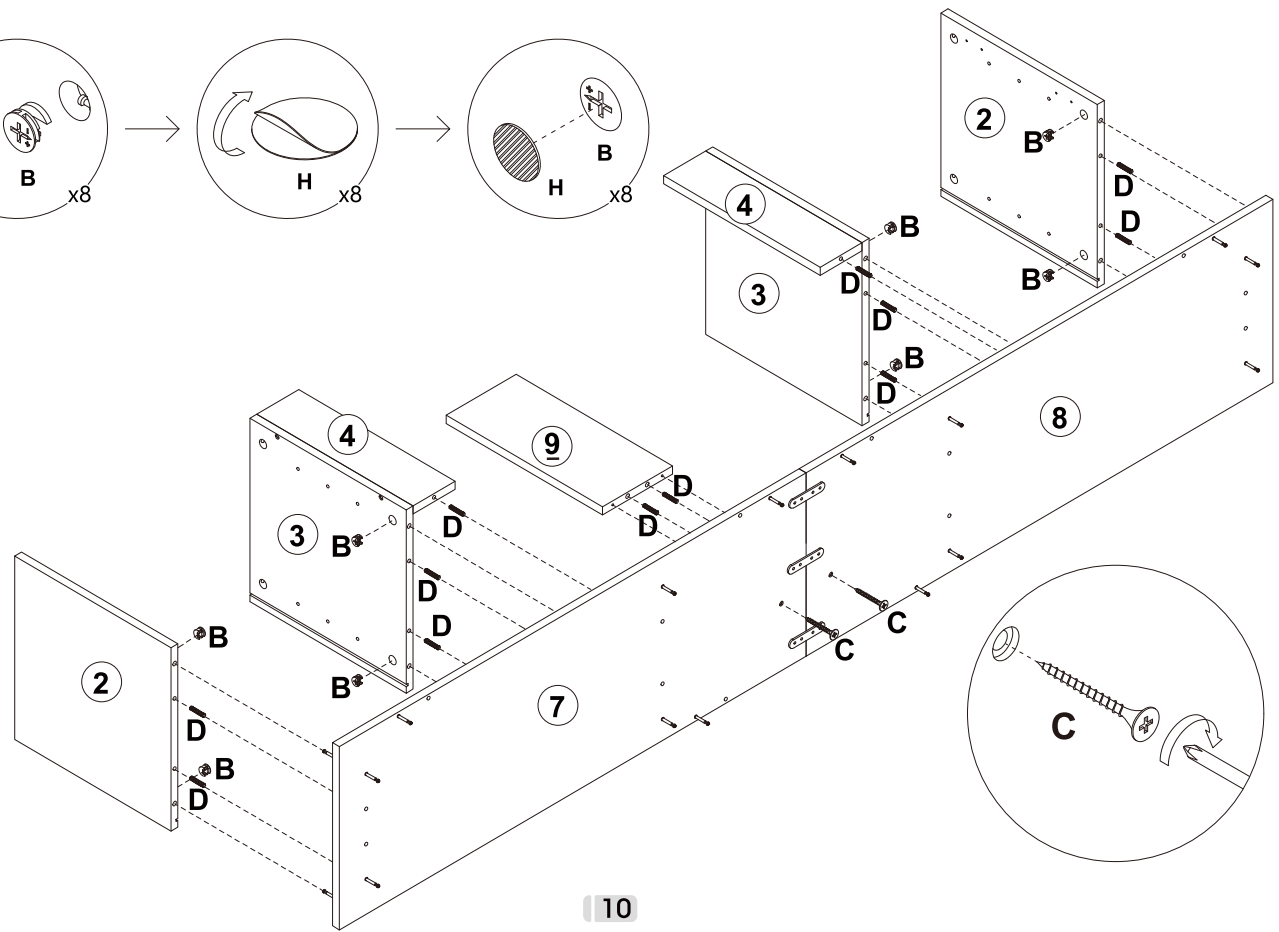
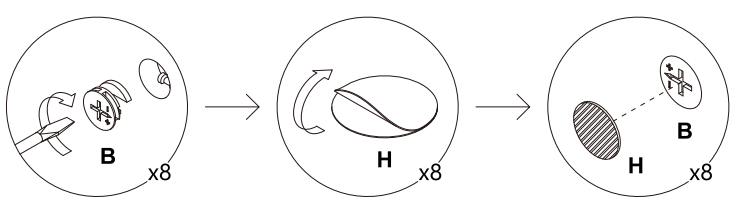
3



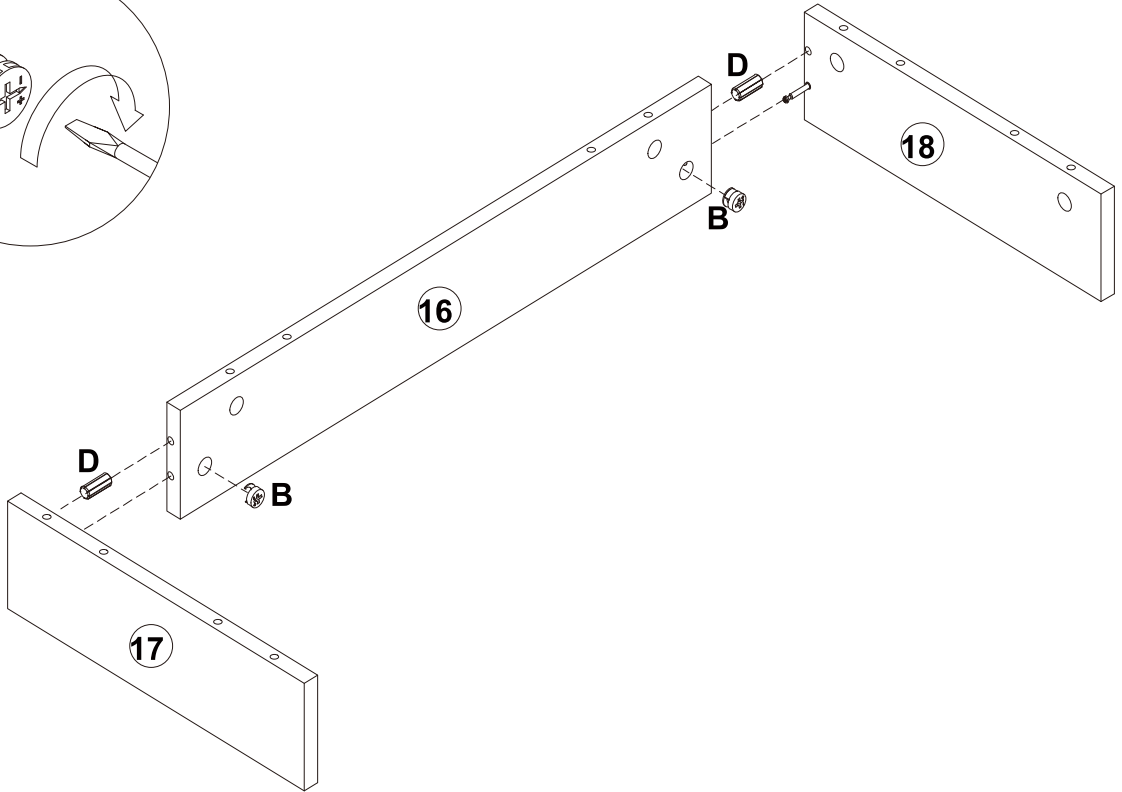
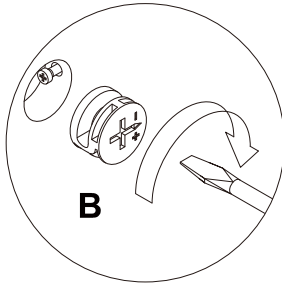
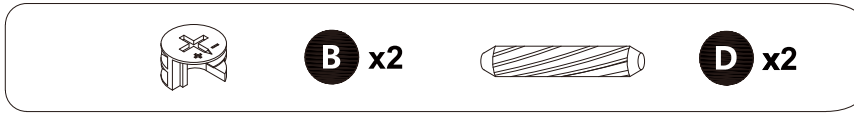
4



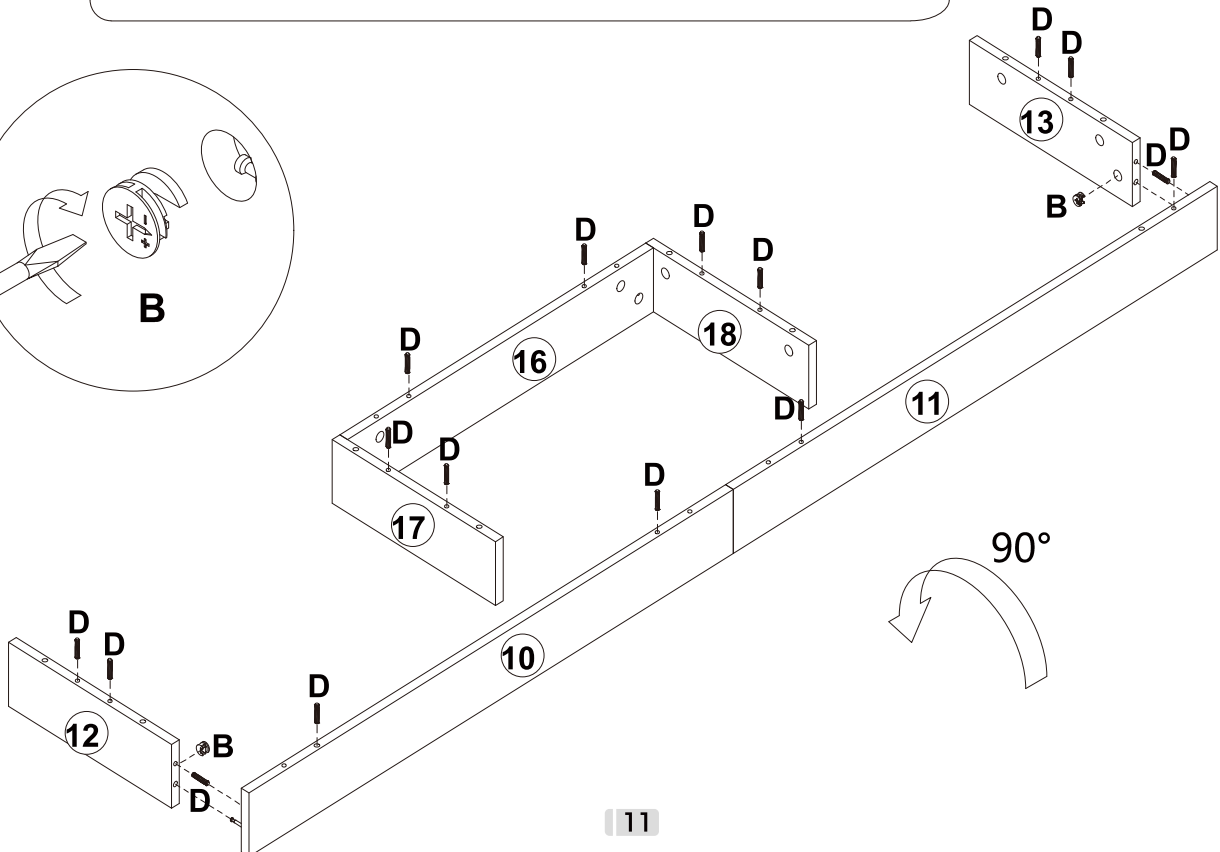
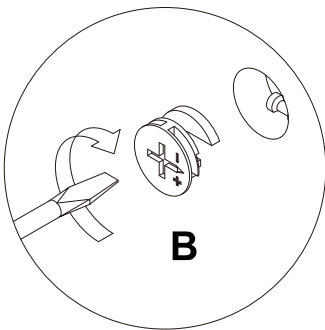
5



6



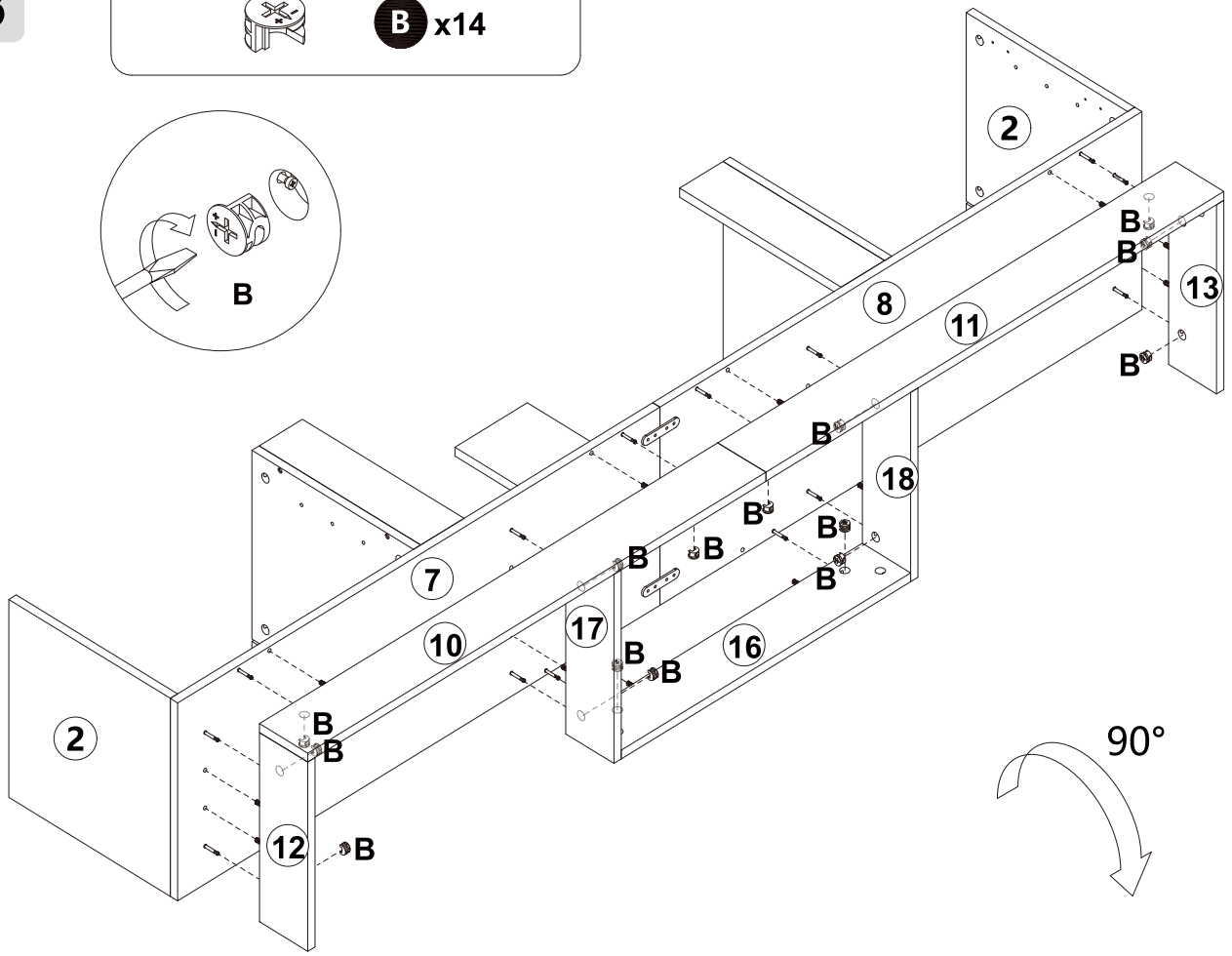
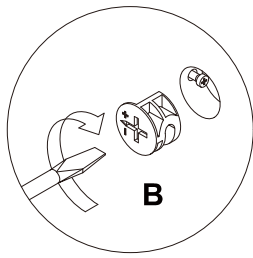
7



8



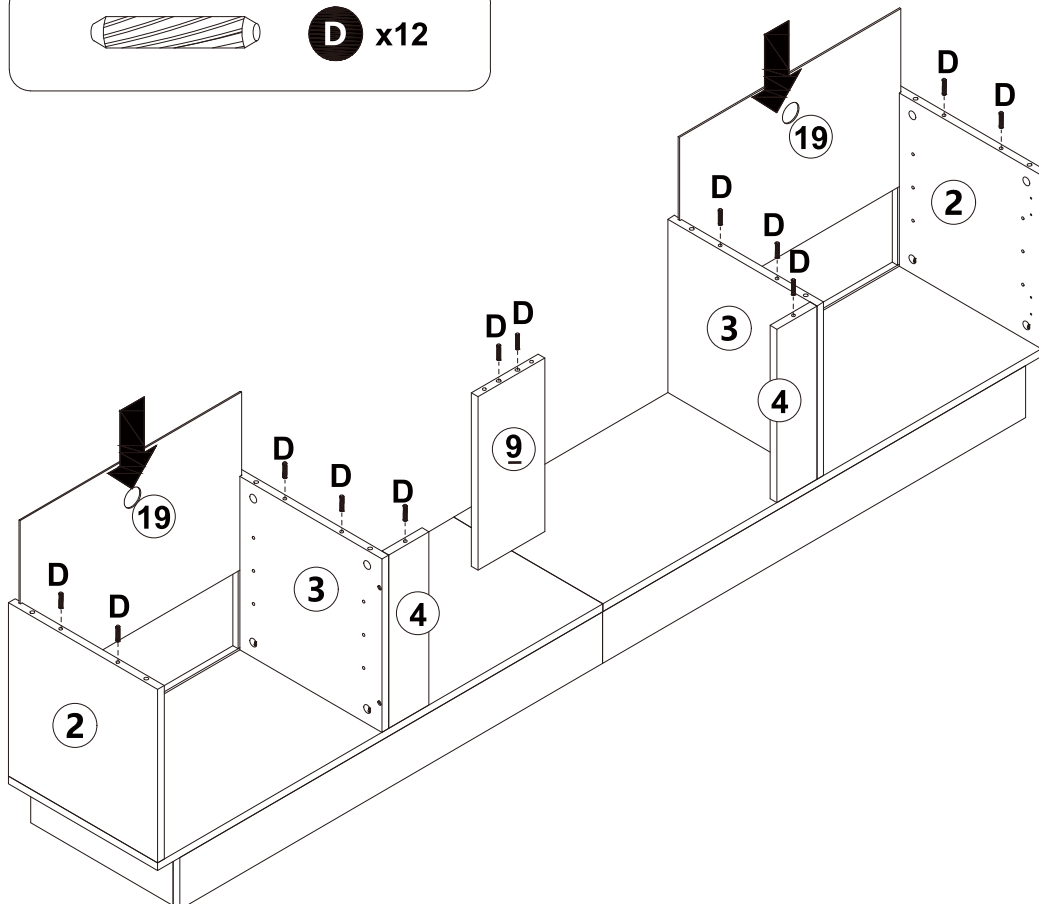
B x14



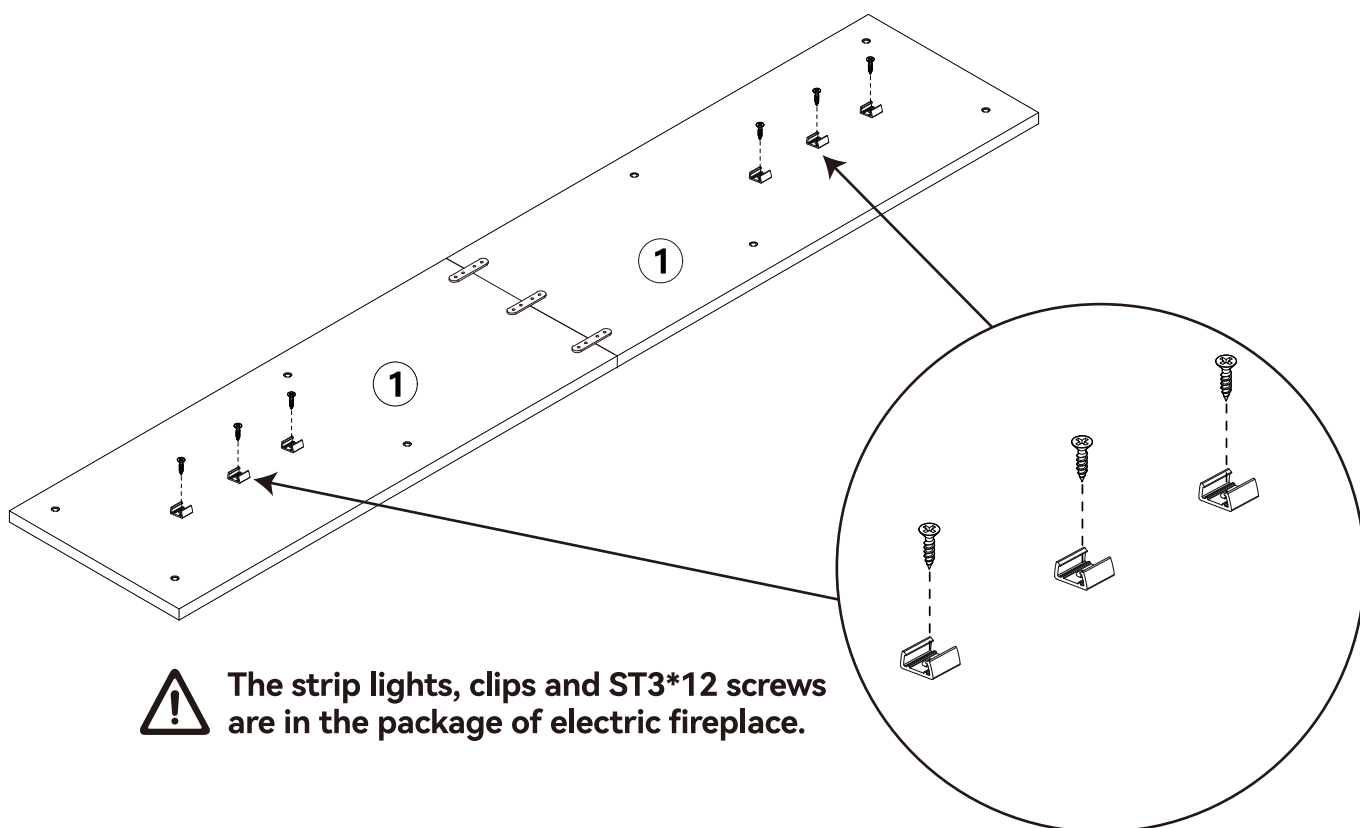
9



D x12



10

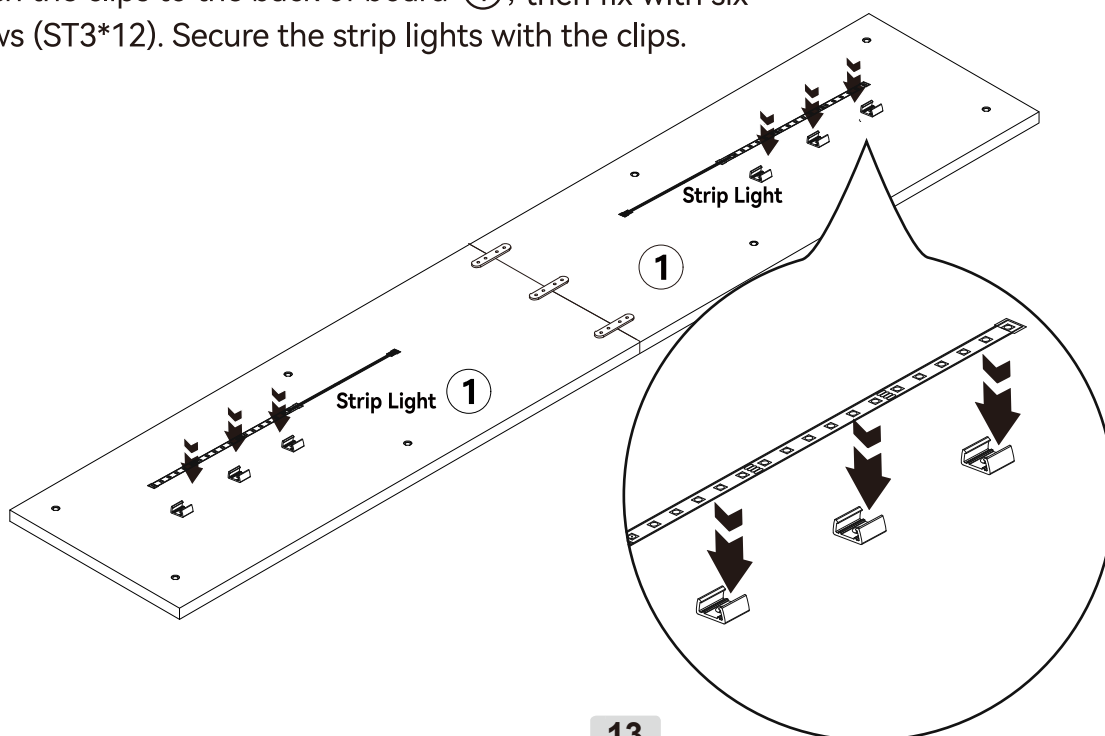


 The strip lights, clips and ST3*12 screws are in the package of electric fireplace.

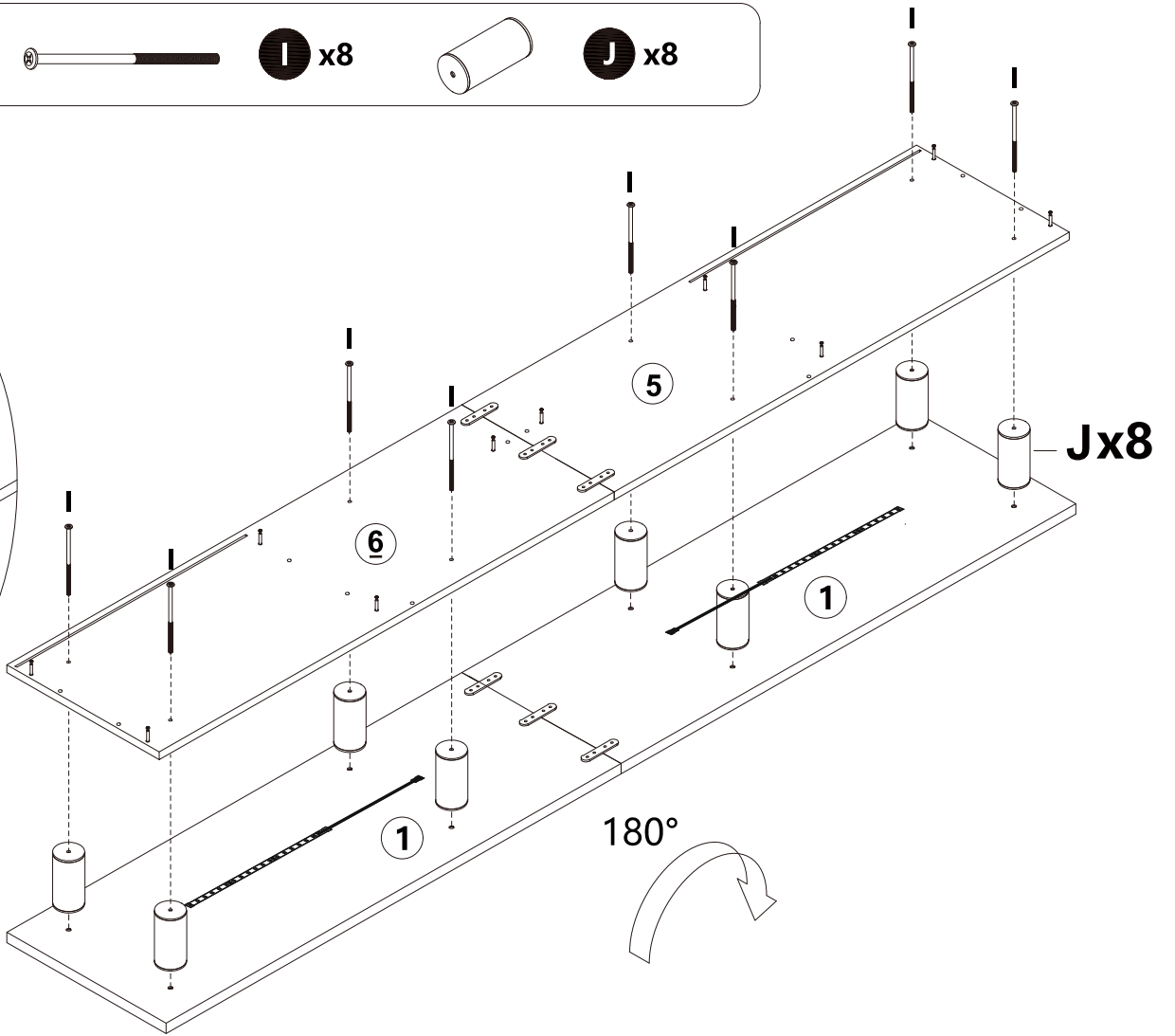
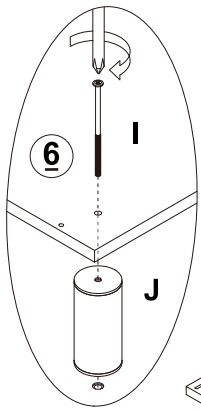
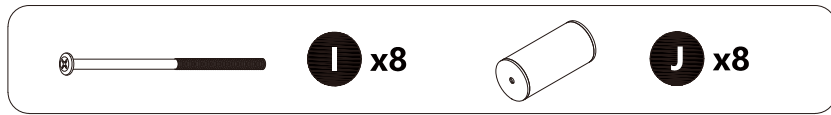
11

Attaching Strip Lights

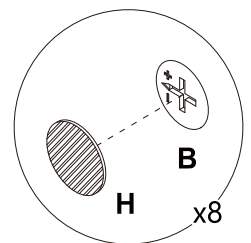
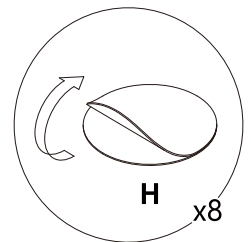
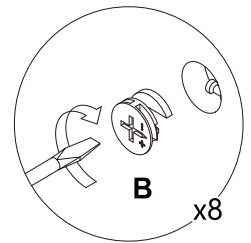
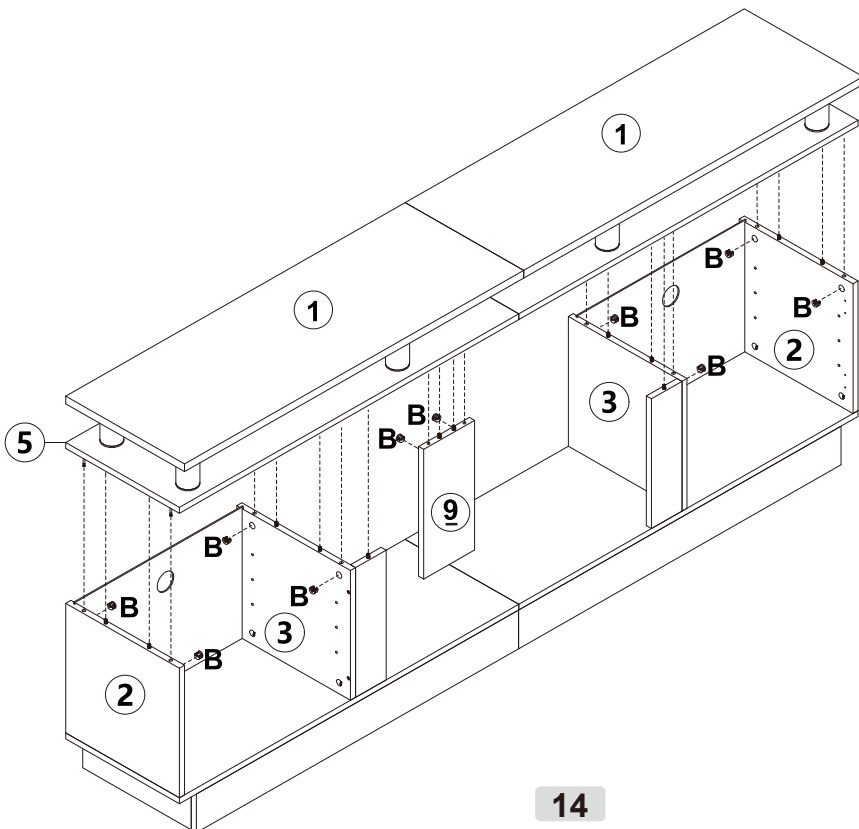
Attach the clips to the back of board ①, then fix with six screws (ST3*12). Secure the strip lights with the clips.



12

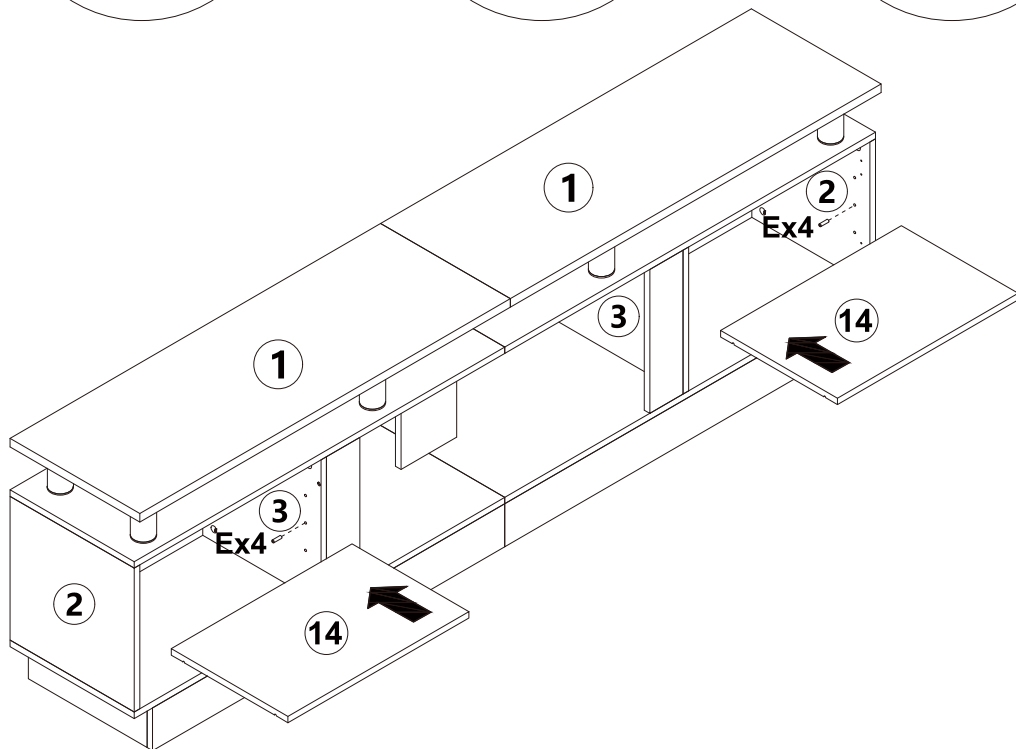
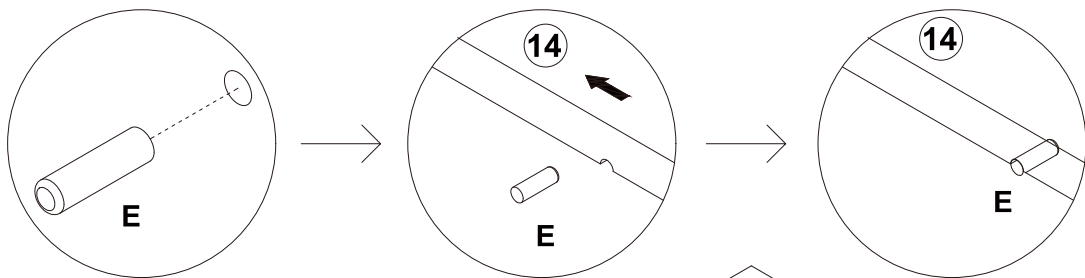
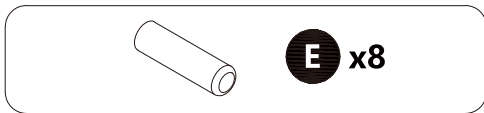


13

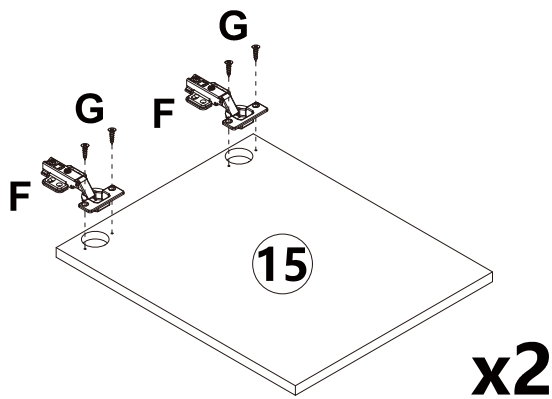
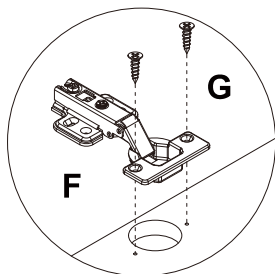
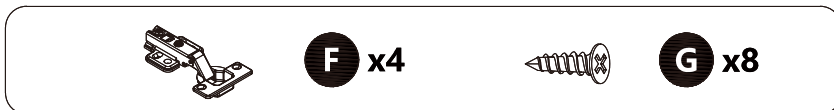


14

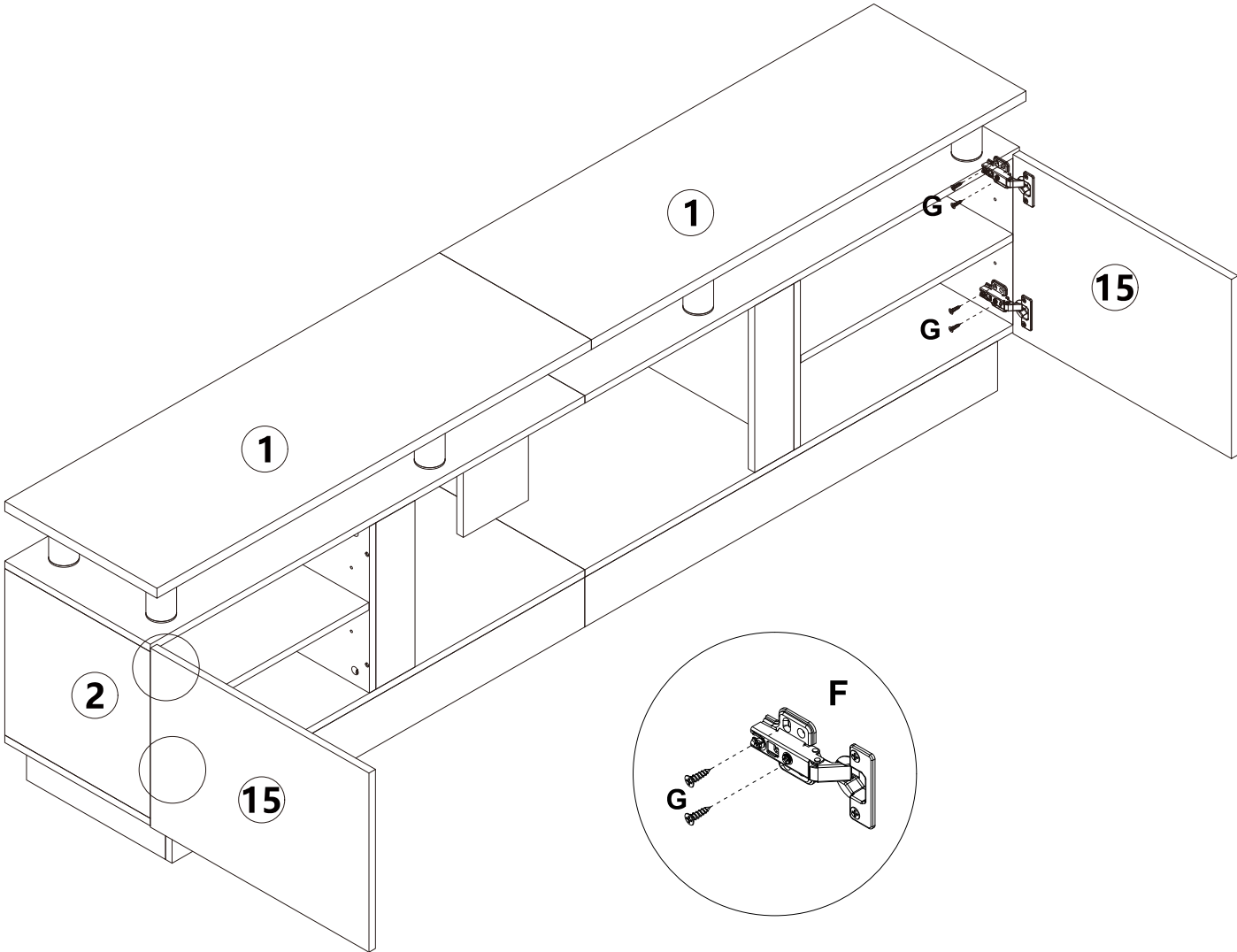
14



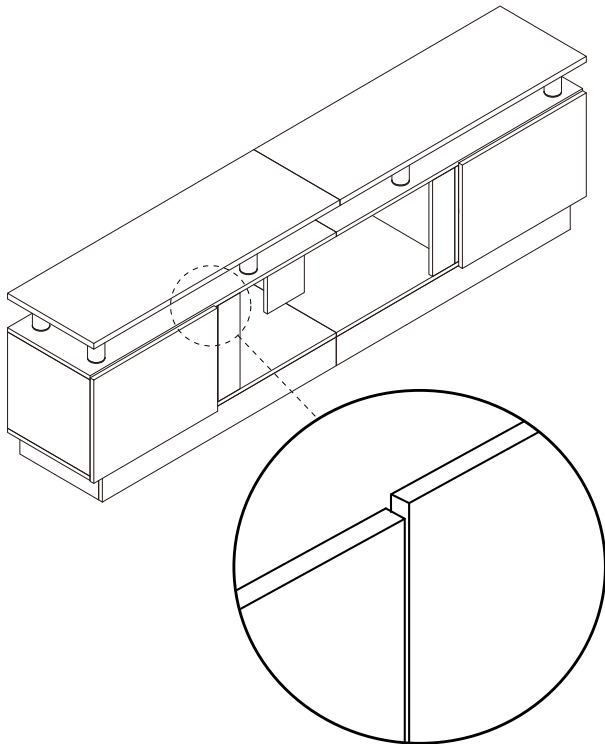
15



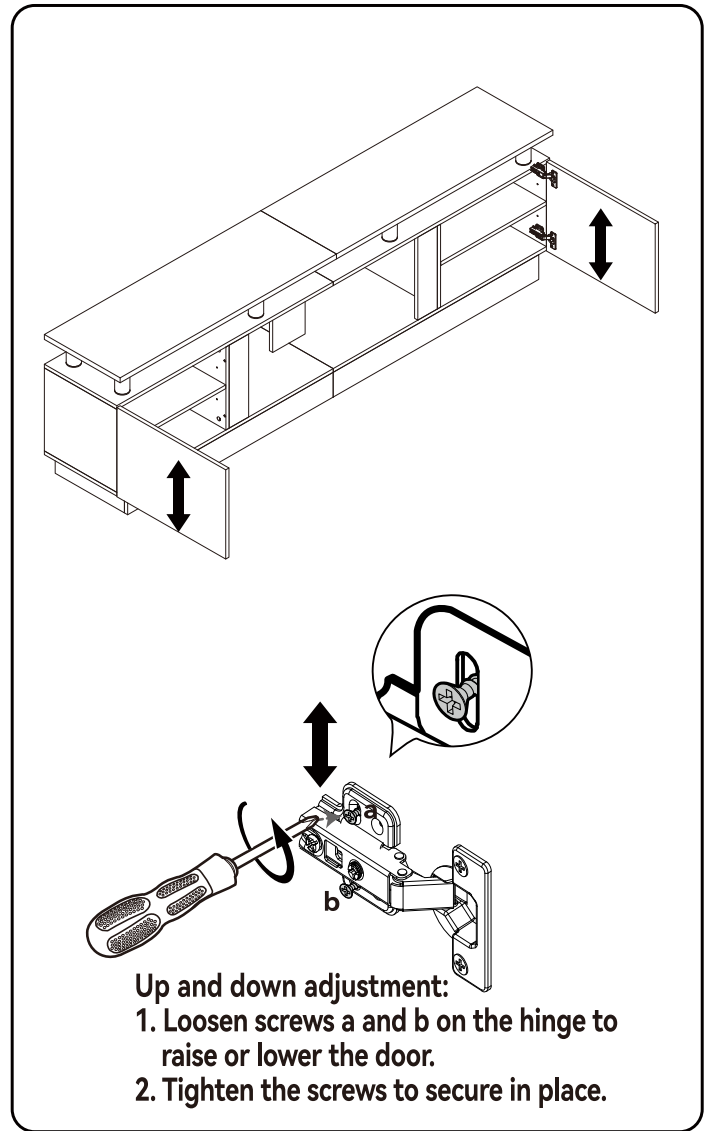
16



17



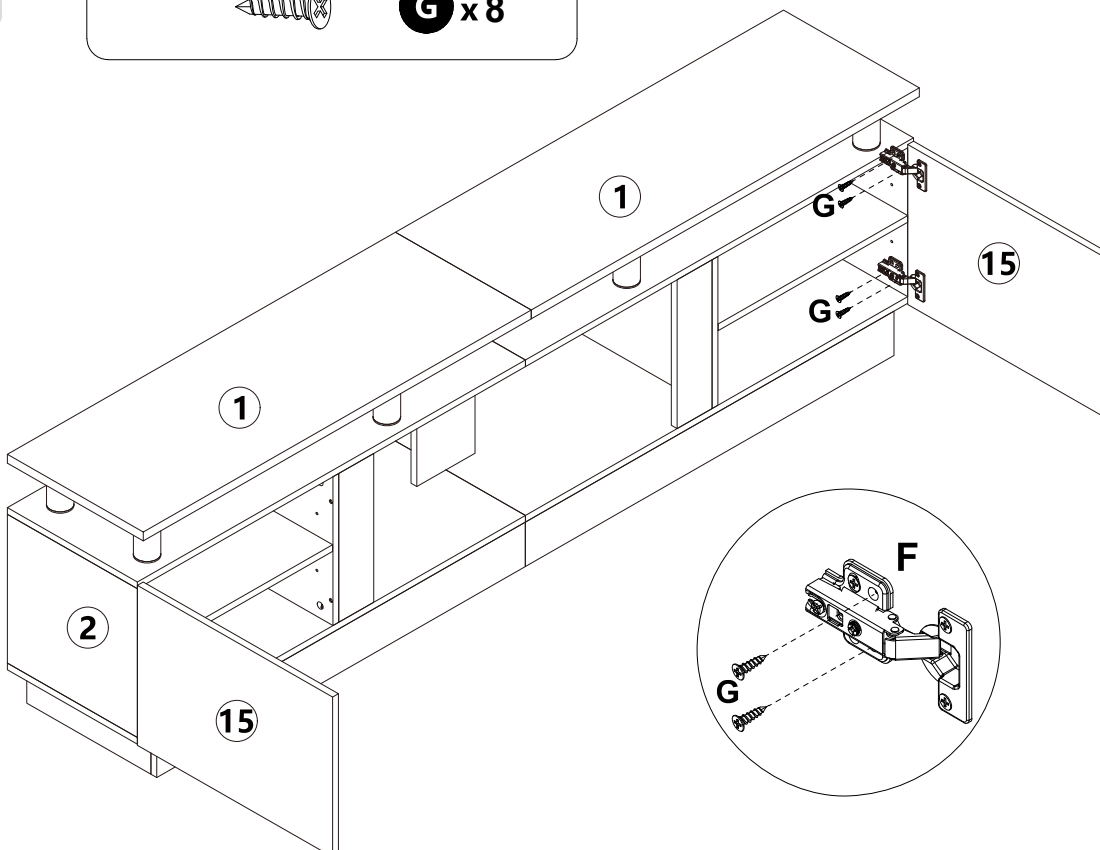
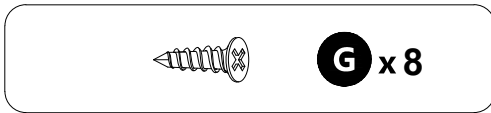
If the doors are not aligned, adjust as instructed below.



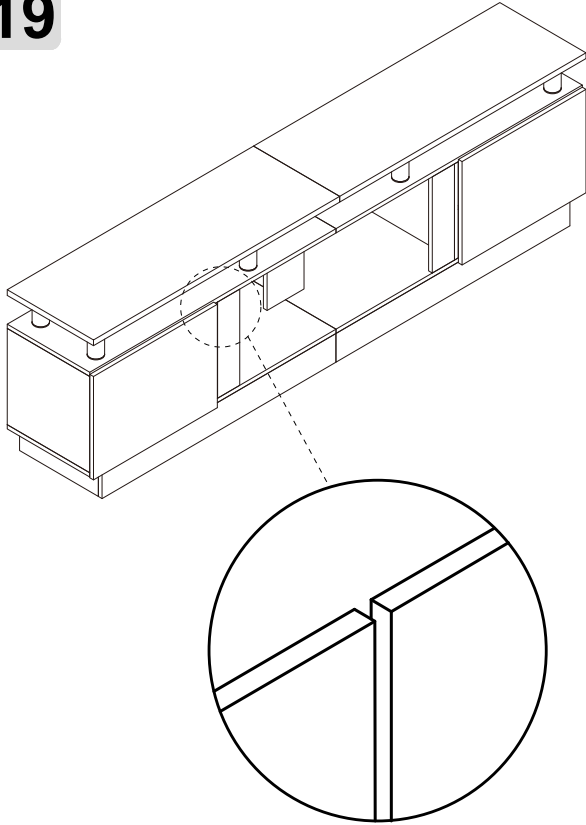
Up and down adjustment:

1. Loosen screws a and b on the hinge to raise or lower the door.
2. Tighten the screws to secure in place.

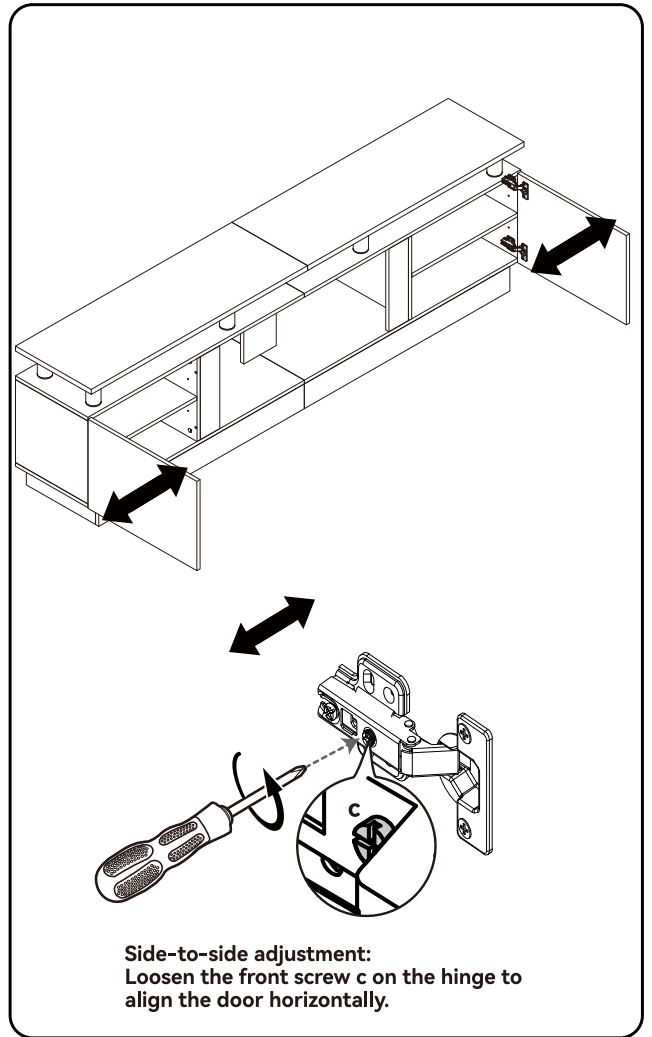
18



19

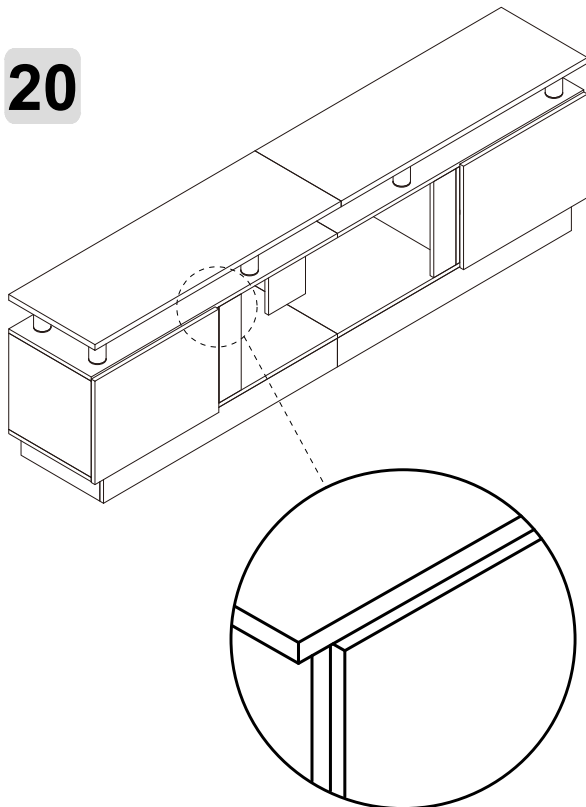



 If there is excessive gap between doors or doors overlap, adjust as instructed below.

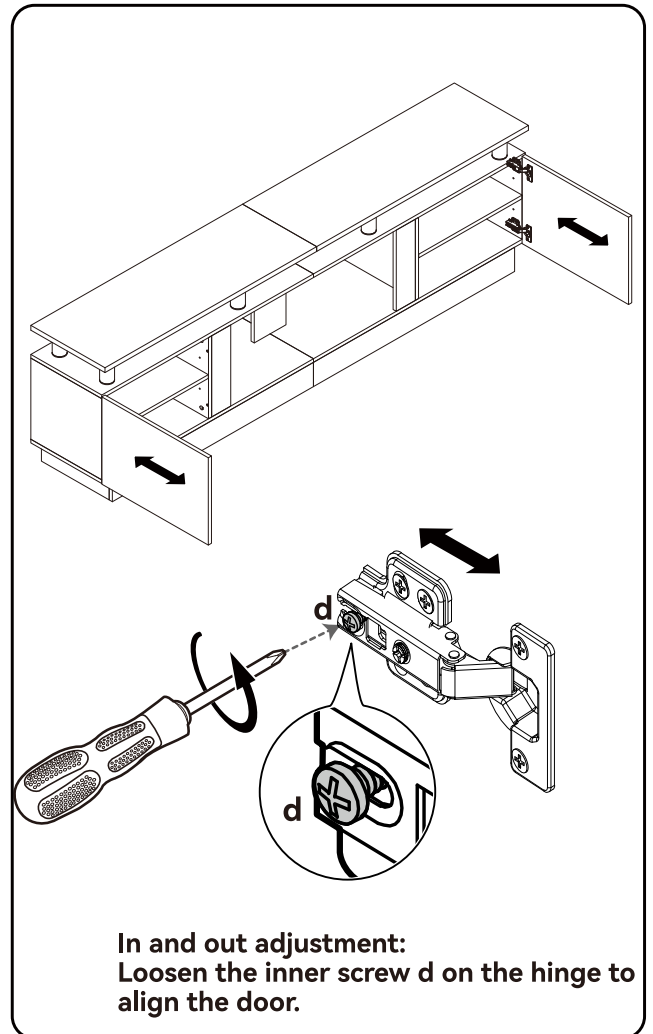


Side-to-side adjustment:
Loosen the front screw c on the hinge to align the door horizontally.

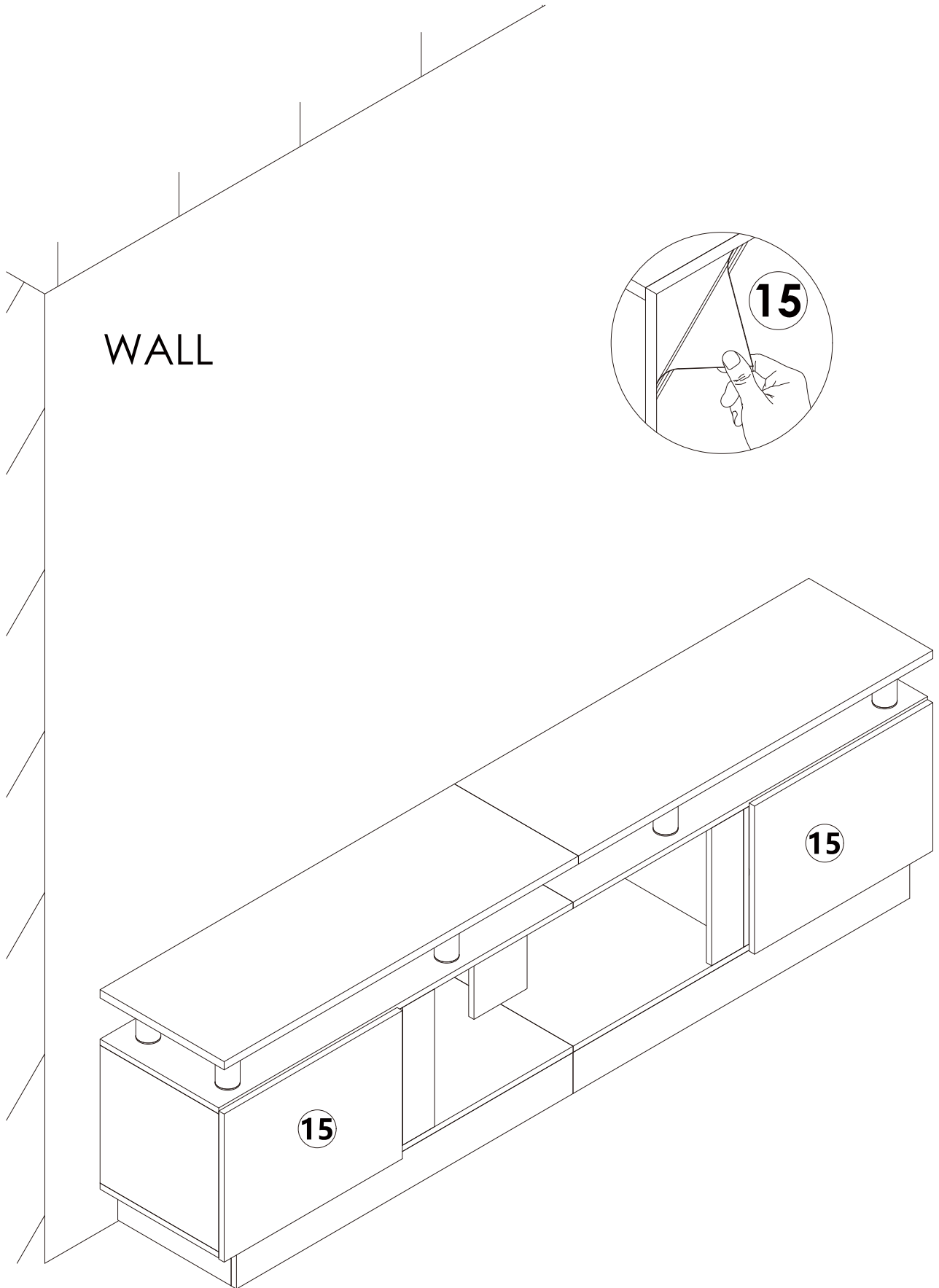
20



 If the doors are not aligned, there is excessive gap between doors or doors overlap, adjust as instructed below.



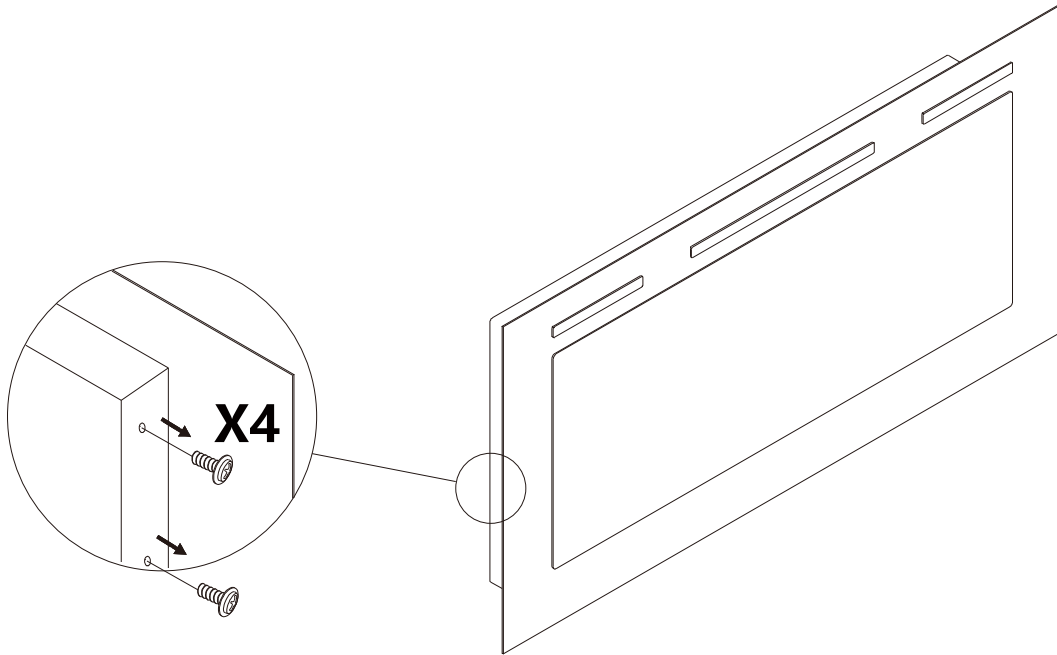
In and out adjustment:
Loosen the inner screw d on the hinge to align the door.



22

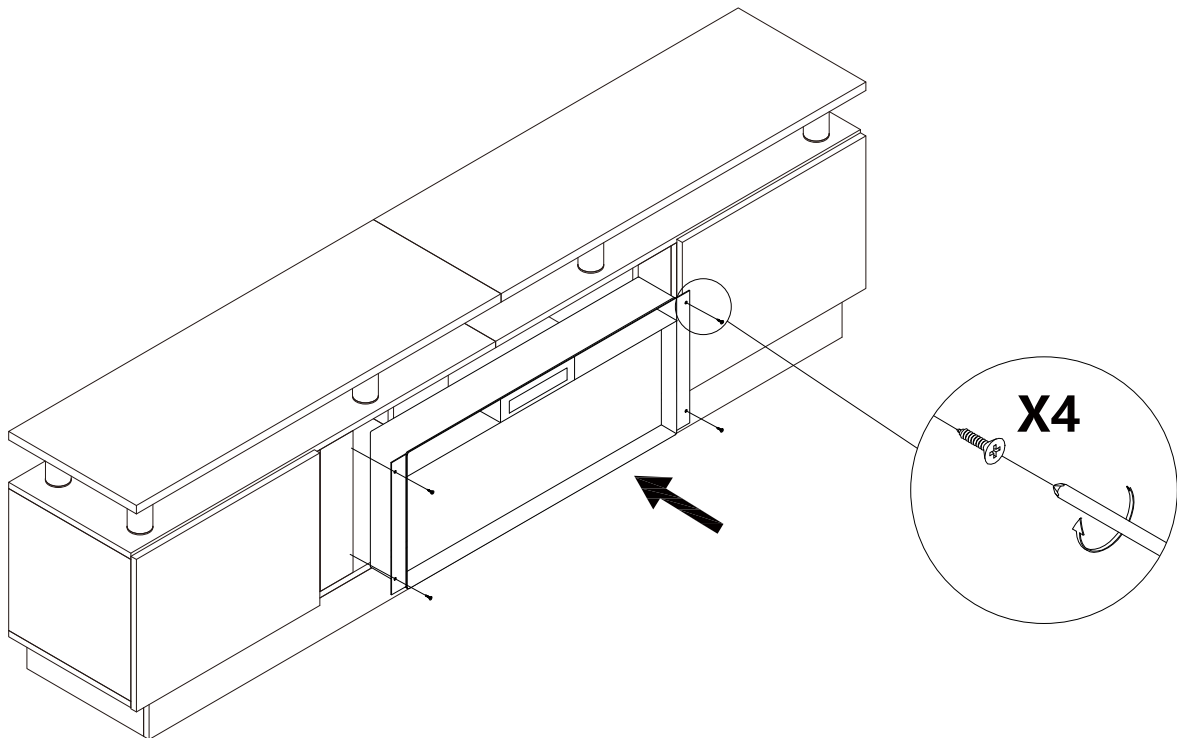
Remove four silver screws from the sides of the heater, two screws on each side.

Remove two screws from the front of the heater. Remove the tempered glass by lifting it from the lugs on the side.



23

Take the glass from the appliance first, then gently put the appliance to the TV Stand by two persons.



Fix the appliance to the TV stand with 4 black screws according to the hole position.

24

Place the front glass surround over the front of the fire aligning the slot in the bracket at each side of the glass panel with the lugs on the sides of the fire .

