

Entertainment Console

Congratulations on the purchase of your TV Media Console. It has been crafted to the highest standards of quality and safety and will give you many years of enjoyment and practical use.

Since this is a bamboo / wood product there will be variations in color and grain, and minor wood grain checking may occur. This is normal and does not compromise the integrity of your console. Variation in the character of bamboo / wood is integral to the beauty and appeal of this furniture, and distinguishes it from lower quality materials.

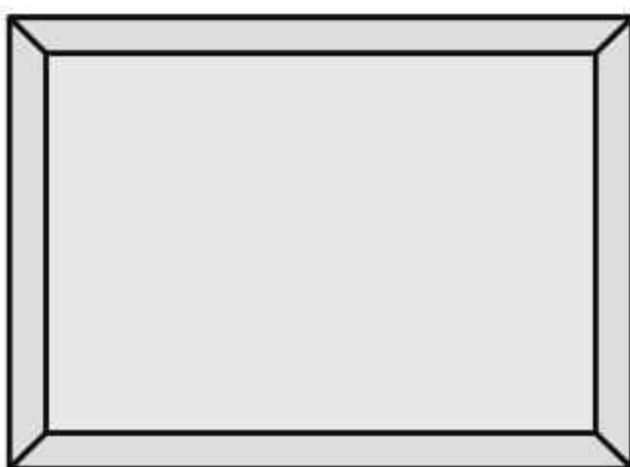
On this insert you will find a list of the hardware and parts necessary for assembly, as well as detailed instructions. Assembly is quite simple and requires only a Phillips Head Screwdriver.

If you should require assistance with assembly, part replacement or any other matter, contact the Toll-Free Service Center

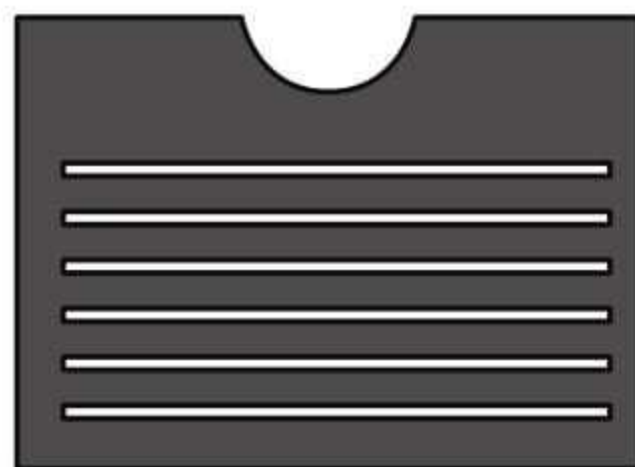
Thank you and Enjoy



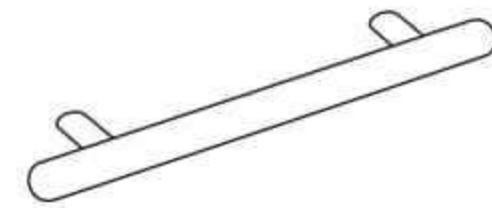
PARTS



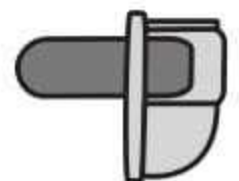
2 x Glass panels



2 x Shelves



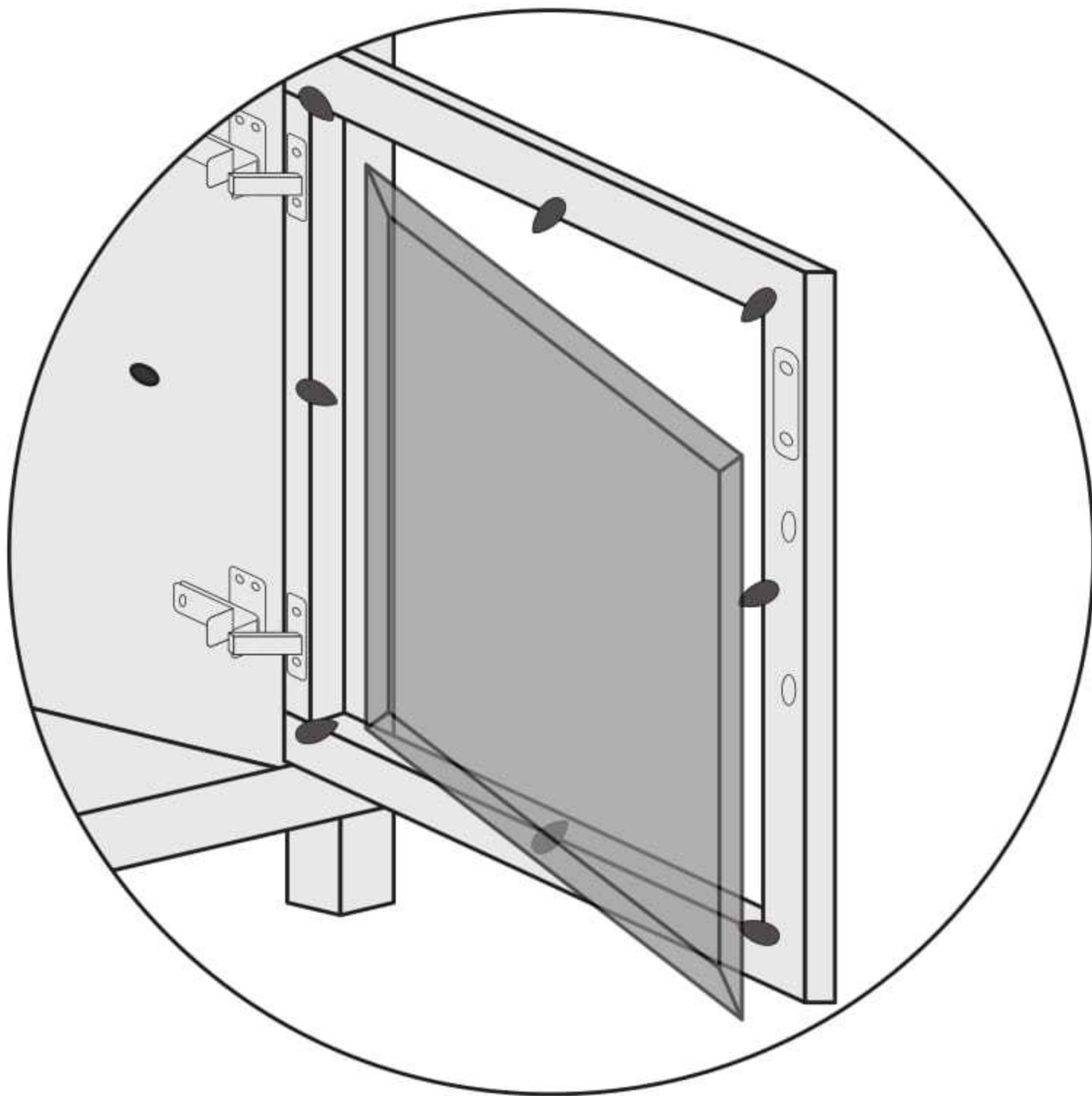
6 x Drawer handles



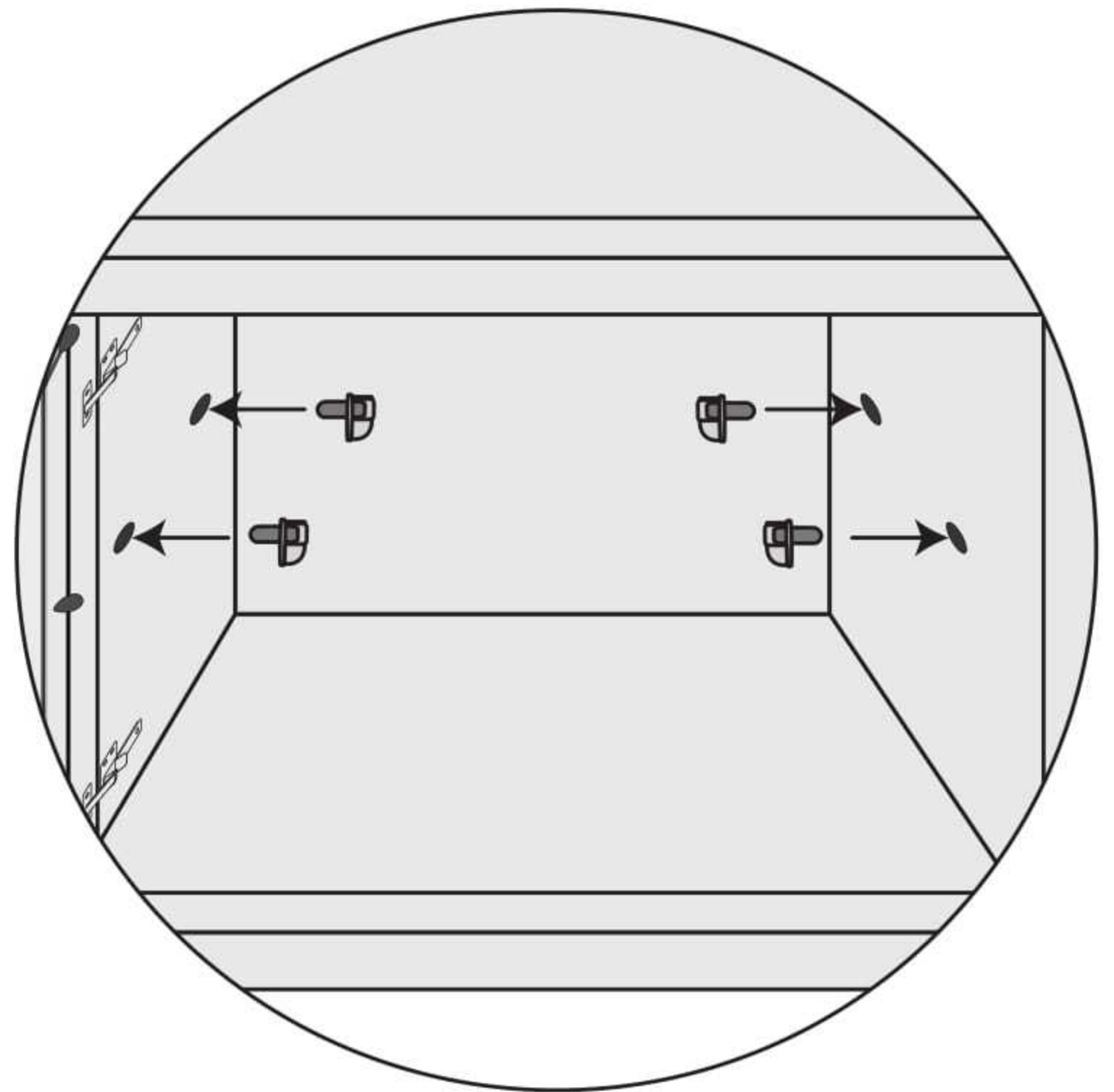
8 x Shelf pins



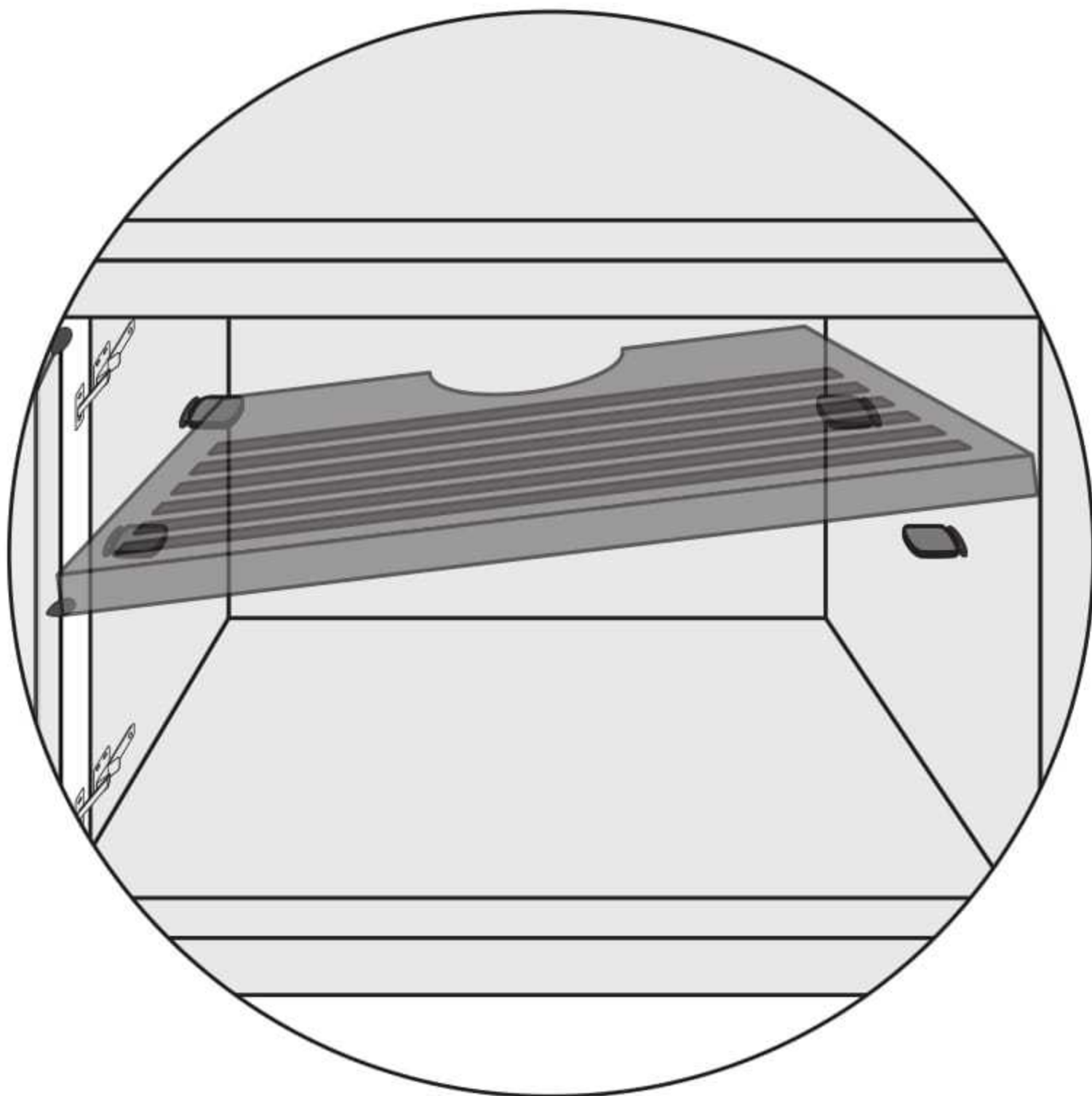
12 x Screws



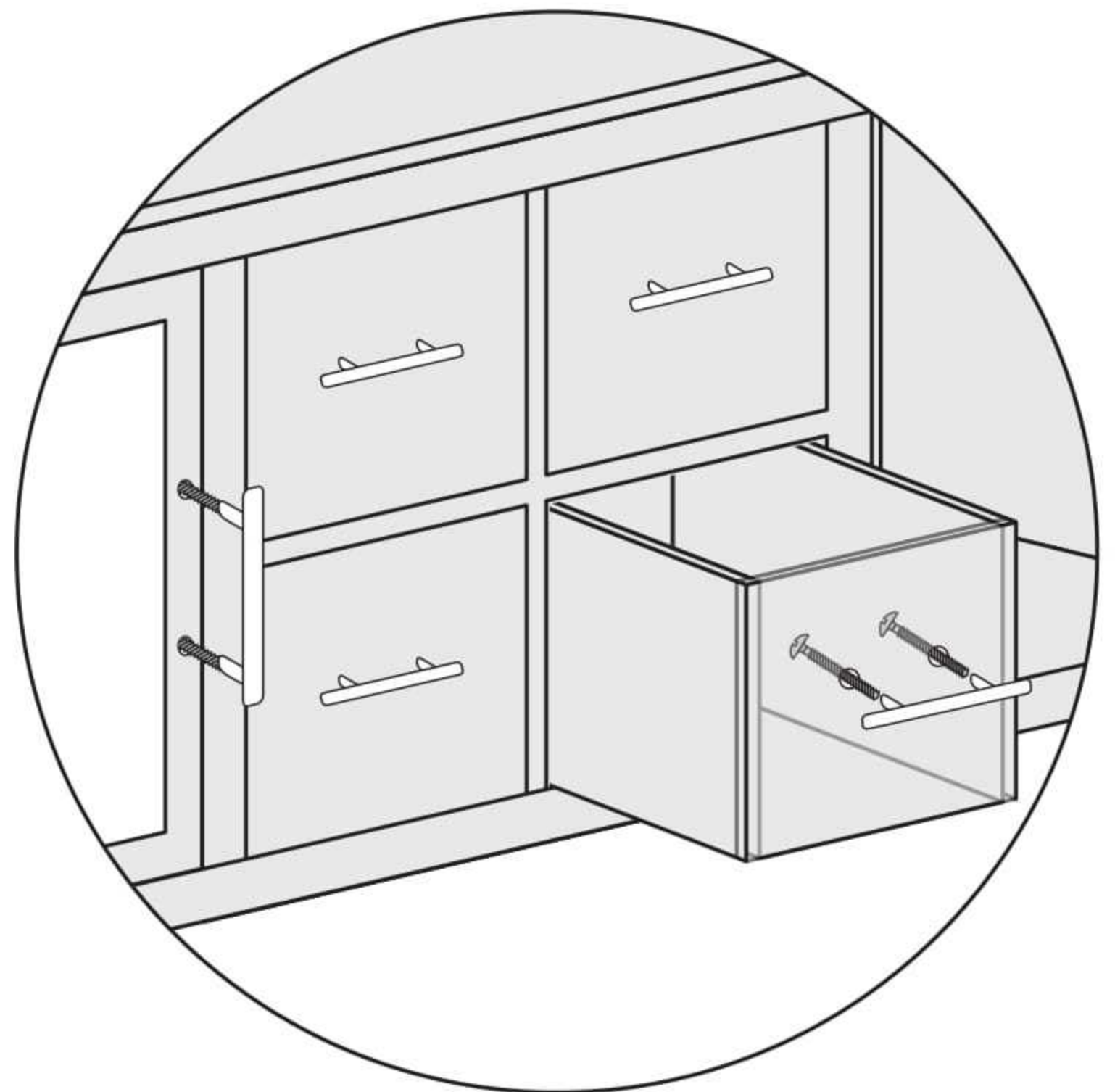
1) Turn clips and remove wooden frame, insert glass panels beveled side facing out



2) Insert shelf pins into pre-drilled holes



3) Insert shelf at an angle then maneuver the shelf carefully onto the shelf pins



4) Attach handles with screws provided.