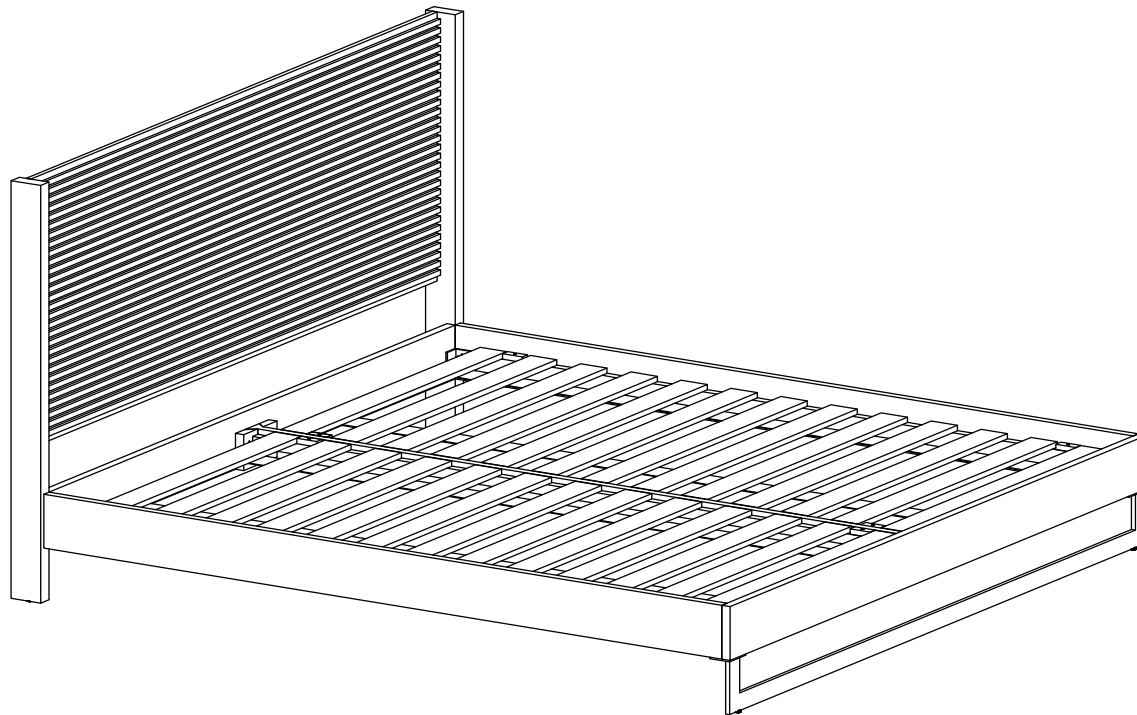


# ASSEMBLY INSTRUCTIONS.

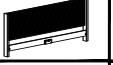


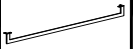



KING BED





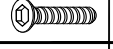


THANK YOU FOR YOUR PURCHASE!

# PARTS AND HARDWARE.

## PARTS LIST

| NO. | DESCRIPTION    | IMAGE   | Q'TY |
|-----|----------------|---|------|
| A   | Headboard      |  | 1    |
| B   | Side Rail      |  | 2    |
| C   | Footboard      |  | 1    |
| D   | Leg            |  | 1    |
| E   | Center Support |  | 1    |
| F   | Center Leg     |  | 1    |
| G   | Slate          |  | 2    |

## HARDWARES LIST

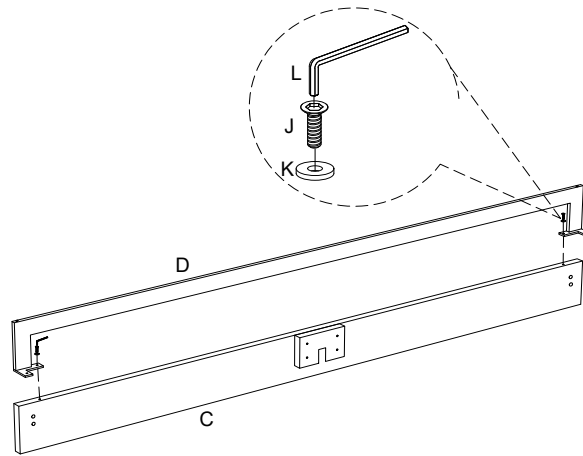
| NO. | DESCRIPTION       | IMAGE   | Q'TY |
|-----|-------------------|---|------|
| H   | HEX BOLT(M20x8)   |    | 8    |
| I   | SPANNER(16-17)    |    | 1    |
| J   | ALLEN BOLT(M20x8) |    | 4    |
| K   | WASHER            |   | 4    |
| L   | ALLEN KEY(6mm)    |  | 1    |

## NOTES.

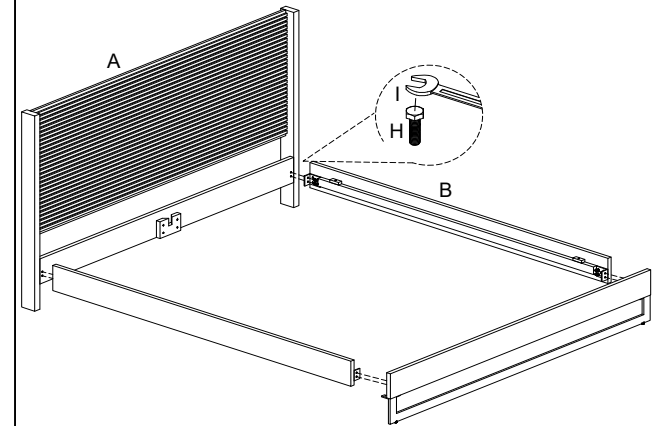
Thank you for purchasing this quality product! Be sure to check all packing material carefully for small part that may have come loose inside the carton during shipping.

**CAUTION:** The item is heavy, assembly should be performed by two people.

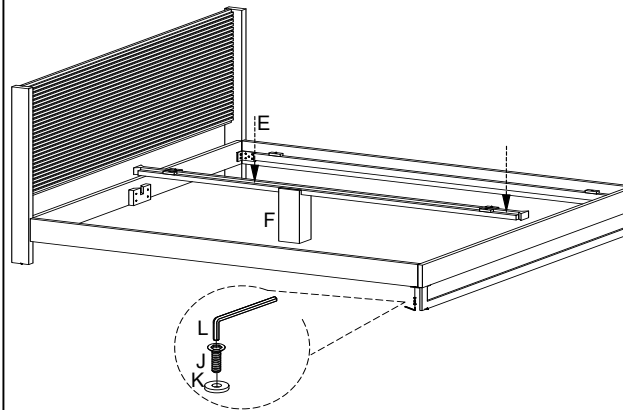
### STEP 1.



### STEP 2.



### STEP 3.



### STEP 4.

