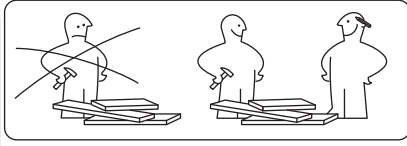


ASSEMBLY INSTRUCTIONS

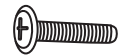
A-37 PCS



IMPORTANT!

Do not tighten too hard: this can damage boards. Please just screw 30%-50% until all the screws have been screwed into the holes.

M-4 PCS

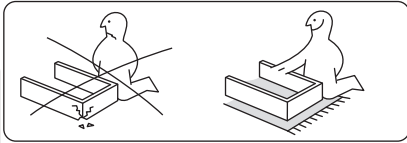


M6*25mm

B-37 PCS



Cams



N-4 PCS



φ8*50mm

C-4 PCS



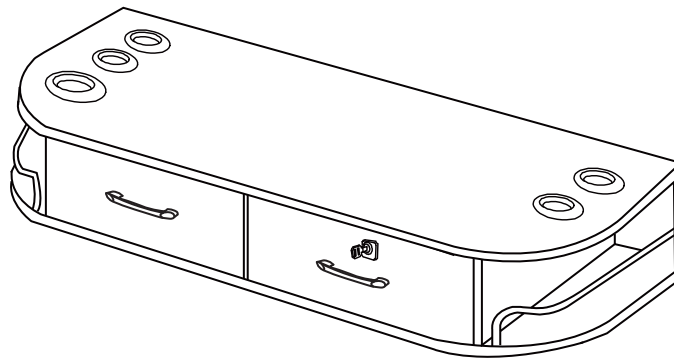
M4*20mm

P-4 PCS



M4*45mm

D-2 PCS



Q-4 PCS



φ8*100mm

E-4 PCS



M4*20mm

R-4 PCS

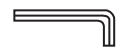


M4*75mm

F-2 PCS



S-1 PC



G-8 PCS

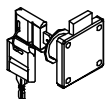


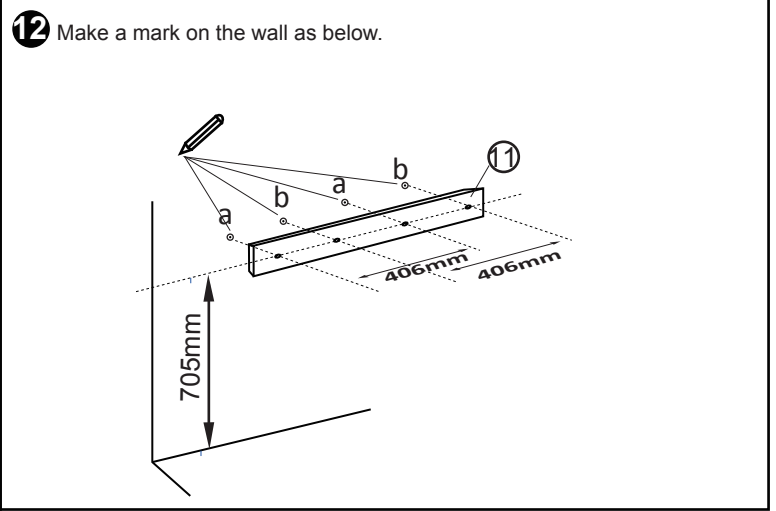
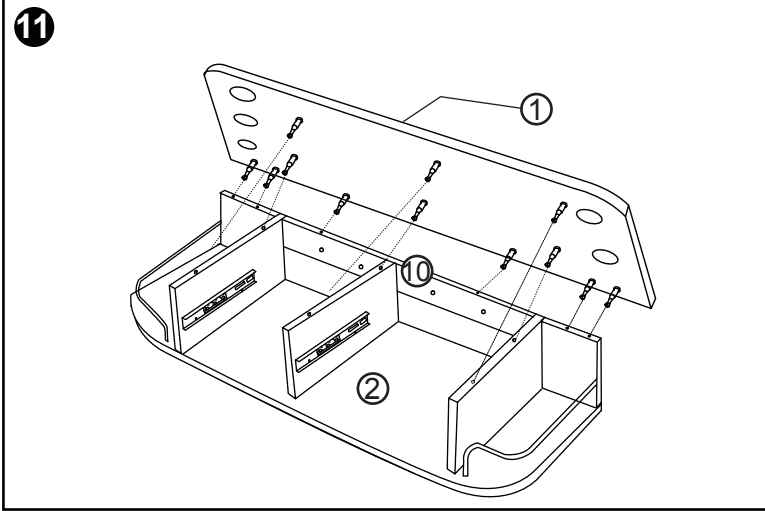
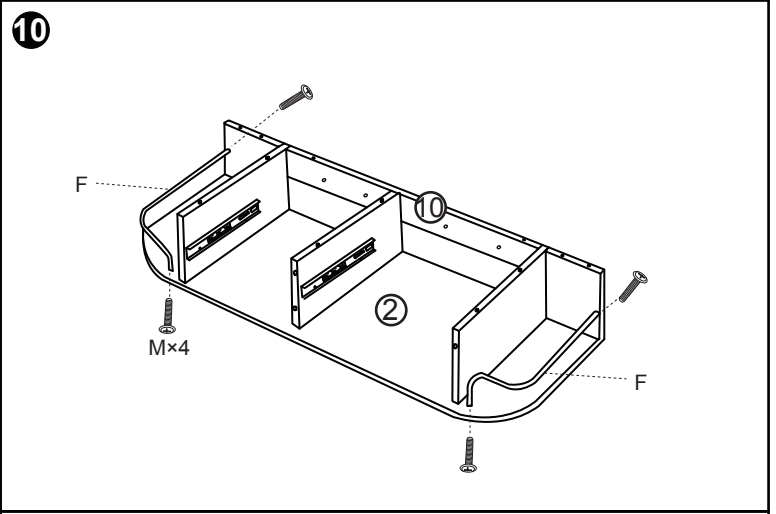
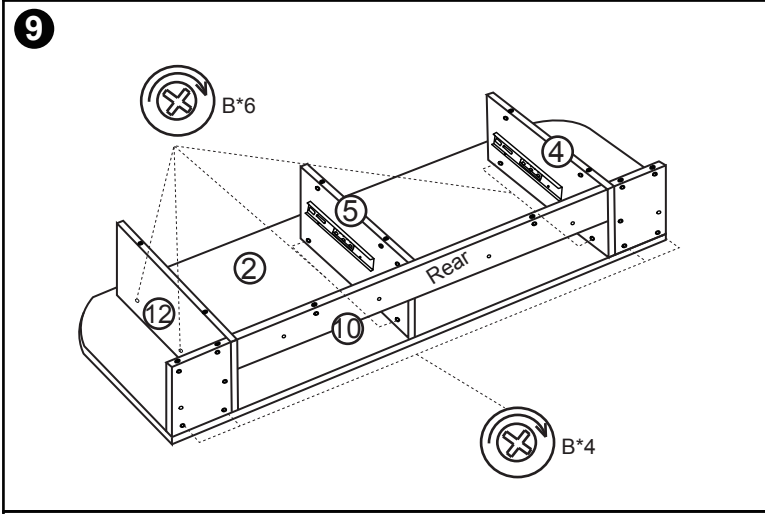
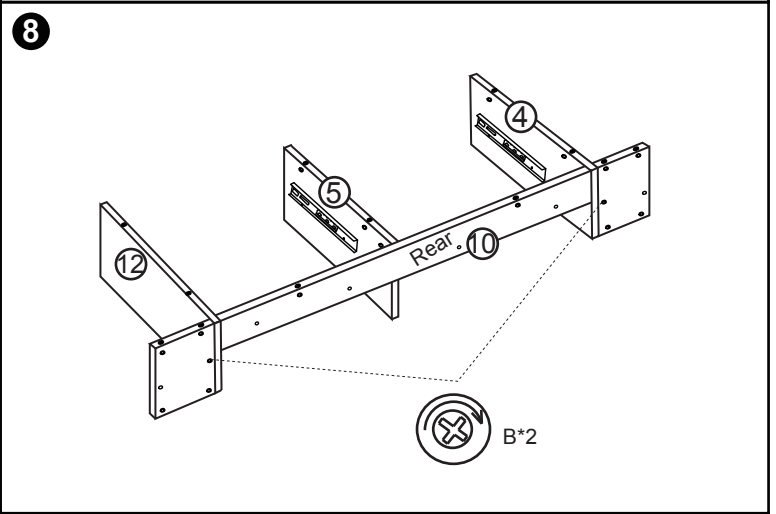
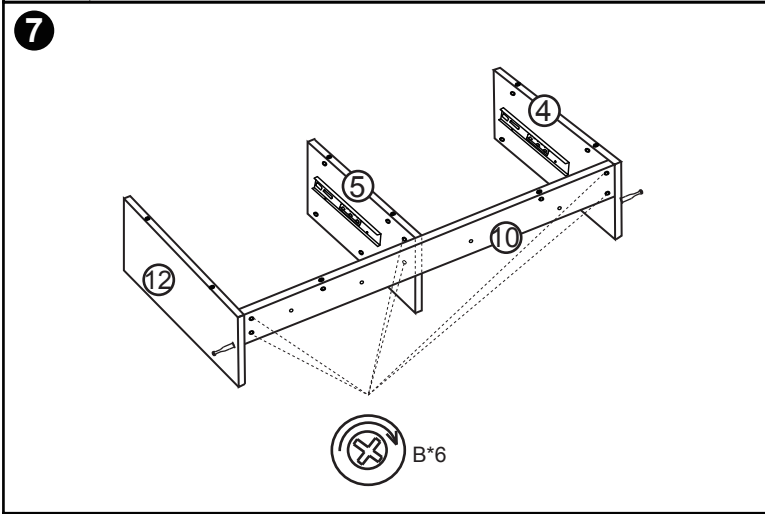
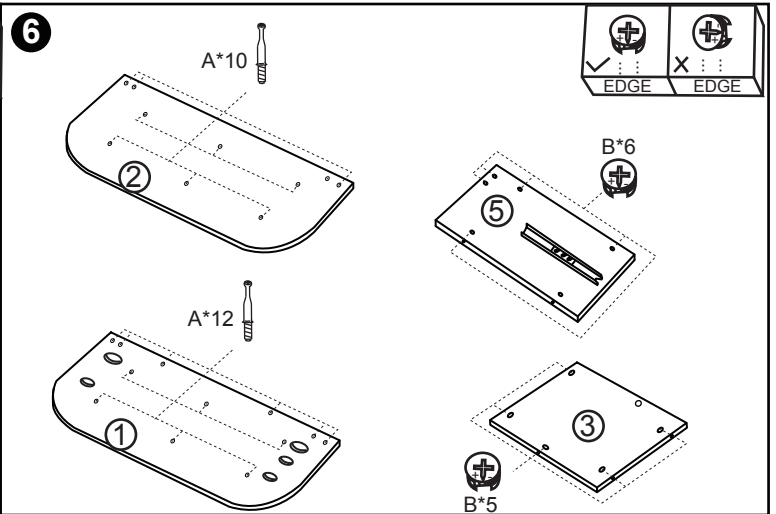
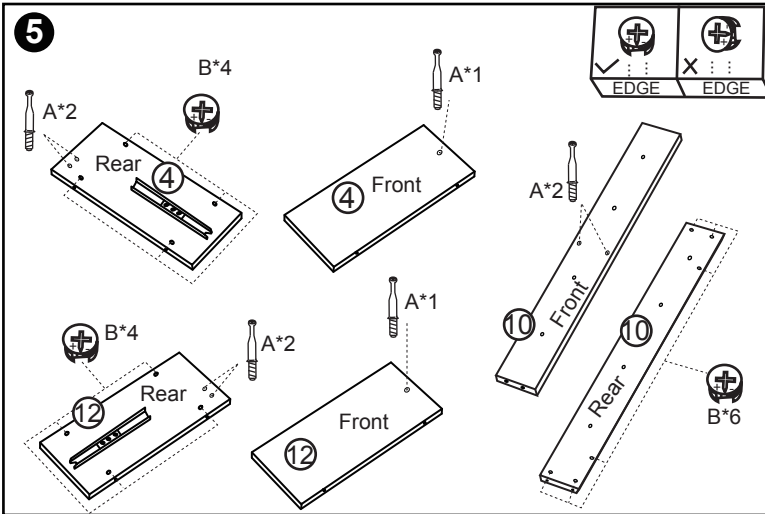
U-8 PCS



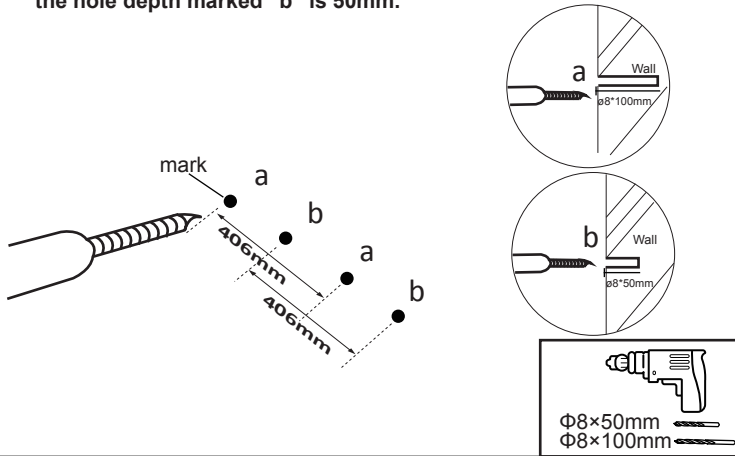
Cam covers

H-1 PC

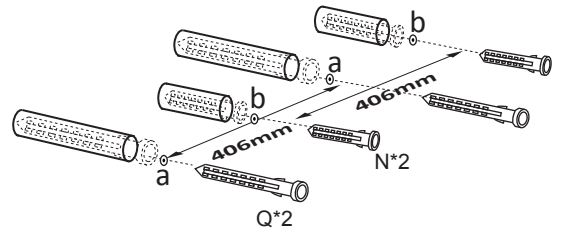




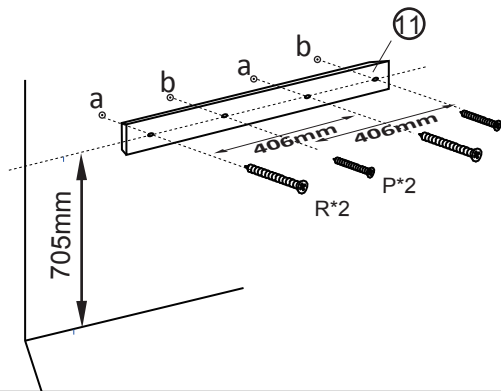
- 13** Drill into the wall. please note the hole depth marked "a" is 100mm, the hole depth marked "b" is 50mm.



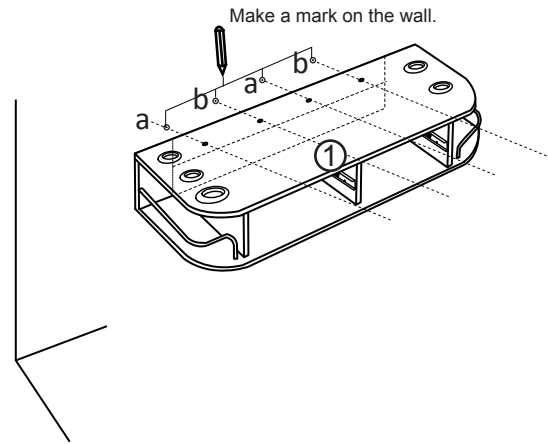
- 14** Please ensure that the distance between the part Q is 406mm, so you can insert the part Q in position "a" as below.



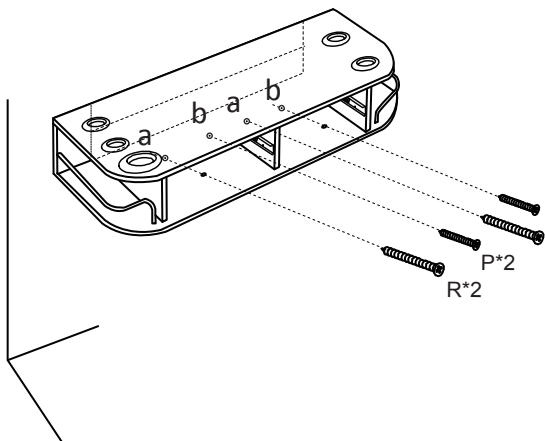
- 15** Please ensure that the distance between the two screw R is 406mm, so you can insert the screw R in position "a" as below.



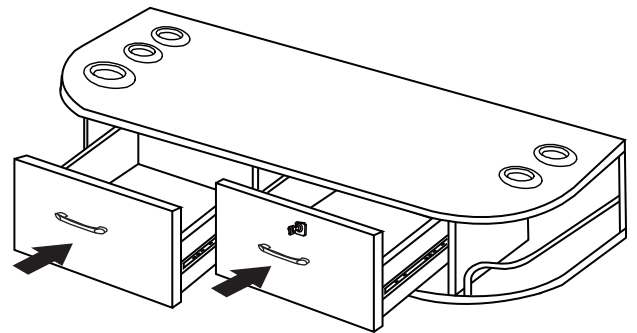
- 16** Put the cabinet above panel 10, then make a mark on the wall.



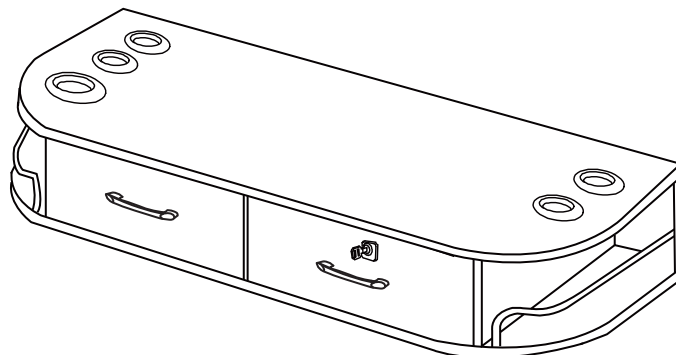
- 17** Attach the cabinet into the wall using 2×P and 2×R screws as step 13, 14 & 15.



- 18**



- 19**



Note: Please fit cam covers (U) on to visible/exposed cams (B) to complete assembly.