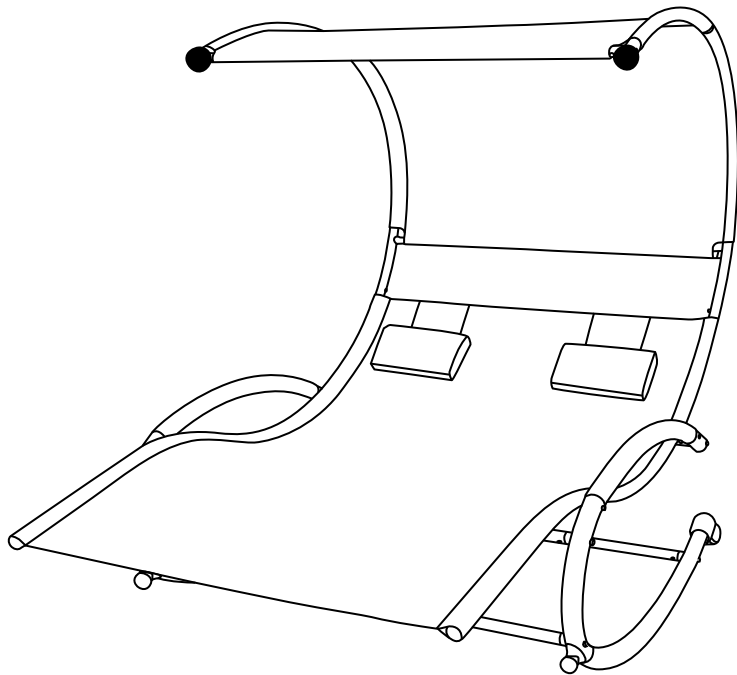


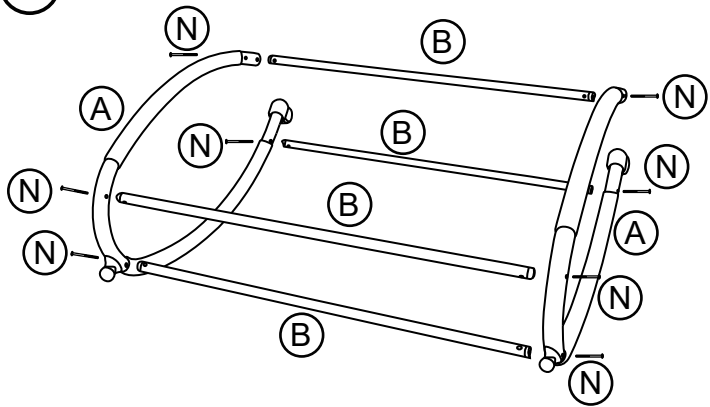
ASSEMBLY INSTRUCTION



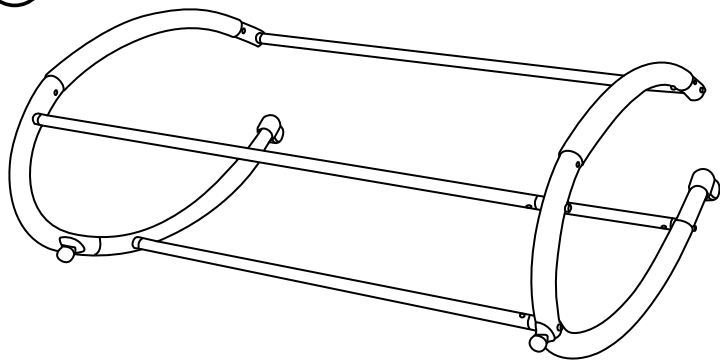
PART LIST

Part	Picture	Qty	Part	Picture	Qty
(A)		2	(E)		1
(B)		4	(H)		1
(C)-L		1	(L)		2
(C)-R		1	(M)	 M6x50mm	6
(D)-L		1	(N)	 M8x70mm	8
(D)-R		1	(P)	 M8x100mm	4
(F)-L		1	(T)		1
(F)-R		1	(K)		2
(G)-L		1	(S)		4
(G)-R		1			
(J)		3			

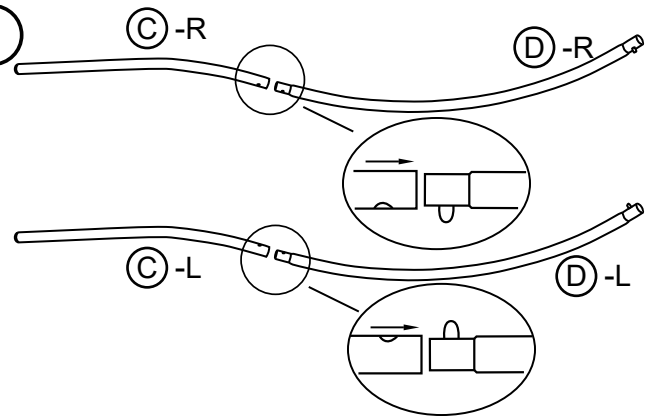
1



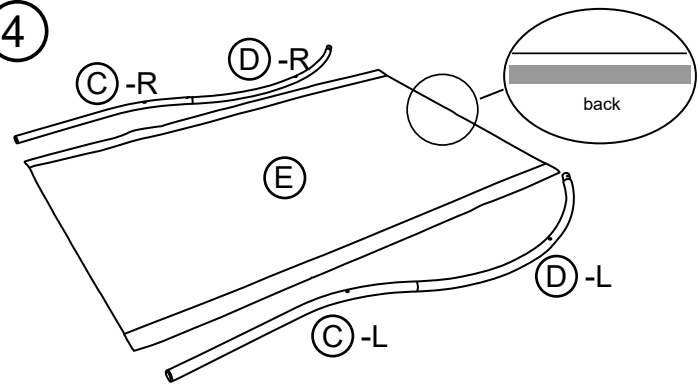
2



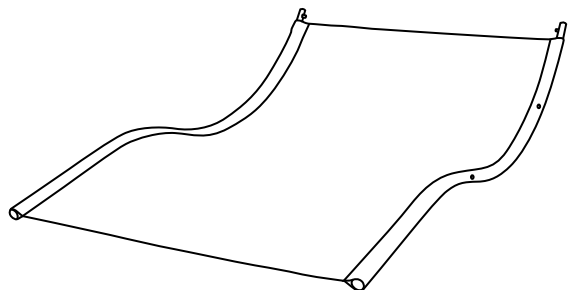
3



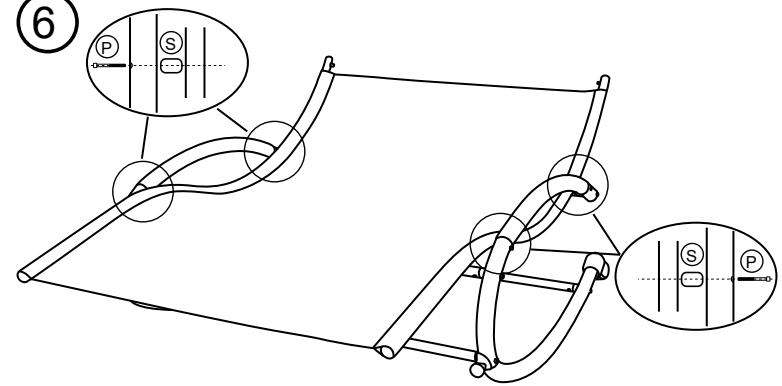
4



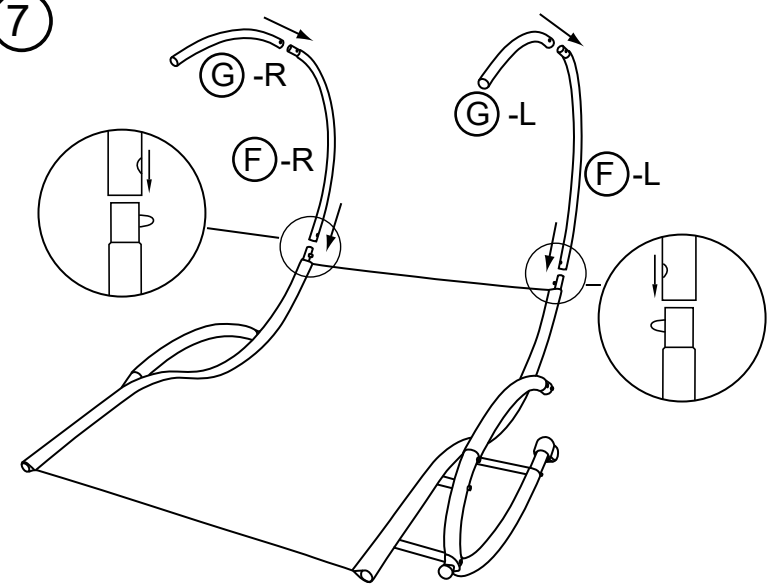
5



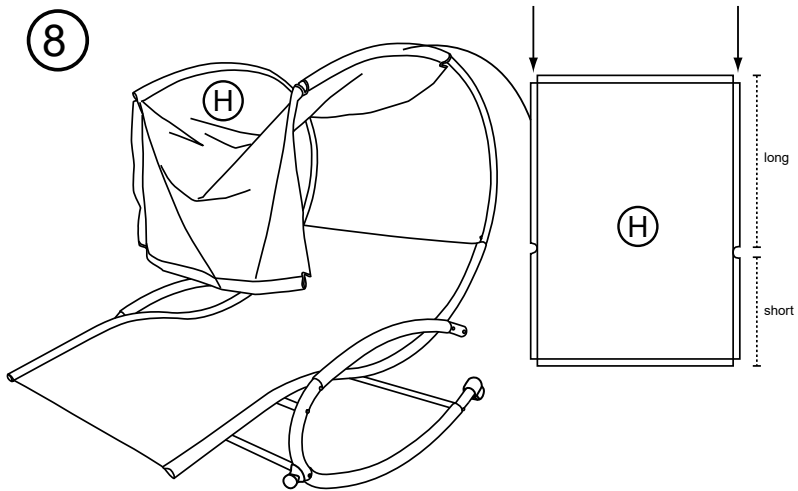
6



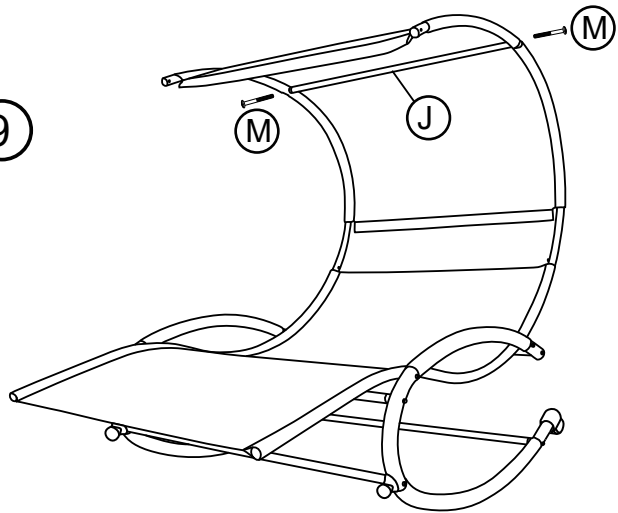
7



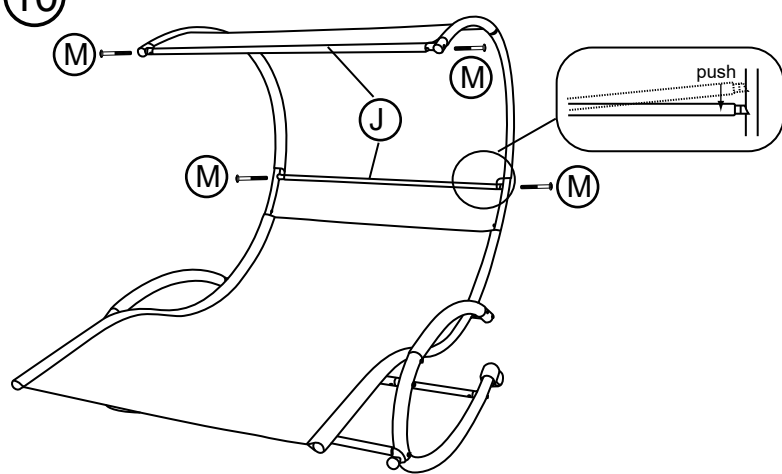
8



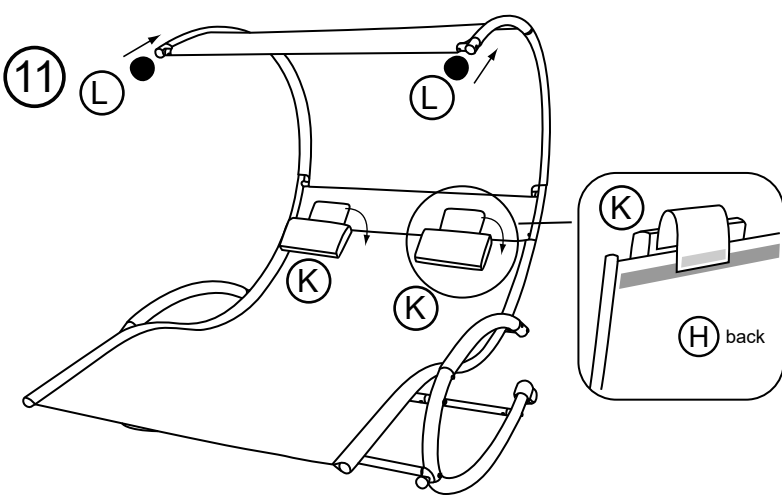
9



10



11



Attention!





Put pillow indoor when rainy day.

WARNING

PLEASE READ THESE INSTRUCTIONS CAREFULLY AND KEEP FOR FUTURE REFERENCE

IMPORTANT SAFETY INSTRUCTIONS.

 **WARNING!** When using this product, important safety rules must be followed. For your own safety, and for the safety of others, please read these instructions carefully.

 **WARNING!** This Double Chaise Rocking Lounge Chair is not designed or intended for use by children. Children should be supervised at all times as risk of entanglement and choking is present.


IMPORTANT SAFETY INFORMATION FOR ASSEMBLY.

CAUTION: The assembly pack contains small parts which pose a choking hazard to children and animals. Keep children and pets clear at all times during assembly.

This product must be assembled on flat, stable terrain such as lawns or patios.

Place the Double Chaise Rocking Lounge Chair in a suitable area where it will not create an obstruction.

Keep well away from sources of heat (such as fires), damp, or moisture.

 **WARNING!** Do not exceed the maximum weight capacity of 400lbs. Do not use the Double Chaise Rocking Lounge Chair with more than the recommended safe weight capacity, or if any parts appear to be worn or damaged.

Keep away from sharp objects, jewellery or clothing.

This product is not a toy. Children must be supervised at all times to ensure they do not play with the Double Chaise Rocking Lounge Chair.

Do not jump into, or stand on, the Double Chaise Rocking Lounge Chair.

STORAGE & MAINTENANCE.

Store in a cool, dry place when not in use.

Do not leave the Double Chaise Rocking Lounge Chair outdoors in the rain, or expose to direct sunlight.

Regularly check all fixtures before use.

CLEANING & MAINTENANCE

Follow these instructions to maintain the appearance and lifespan of your Double Chaise Rocking Lounge Chair:

- Regularly check all fixings on the INNER and OUTER TUBES. Re-tighten if required.
- Wipe the frame using a soft damp cloth. Disassemble the frame, if necessary, in the winter and store in a dry area.
- Always keep your Double Chaise Rocking Lounge Chair indoors when not in use. Store in a cool, dry place.

IMPORTANT: Over time and use, scratches may develop on the surface. To prevent any rust spots, ensure you wipe these areas free of any moisture.

CAUTION: Avoid using any abrasive cleaning agents to wipe the surfaces of the Double Chaise Rocking Lounge Chair.