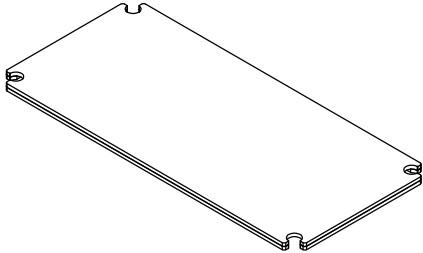
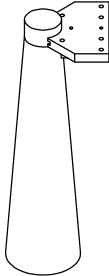

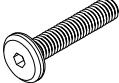




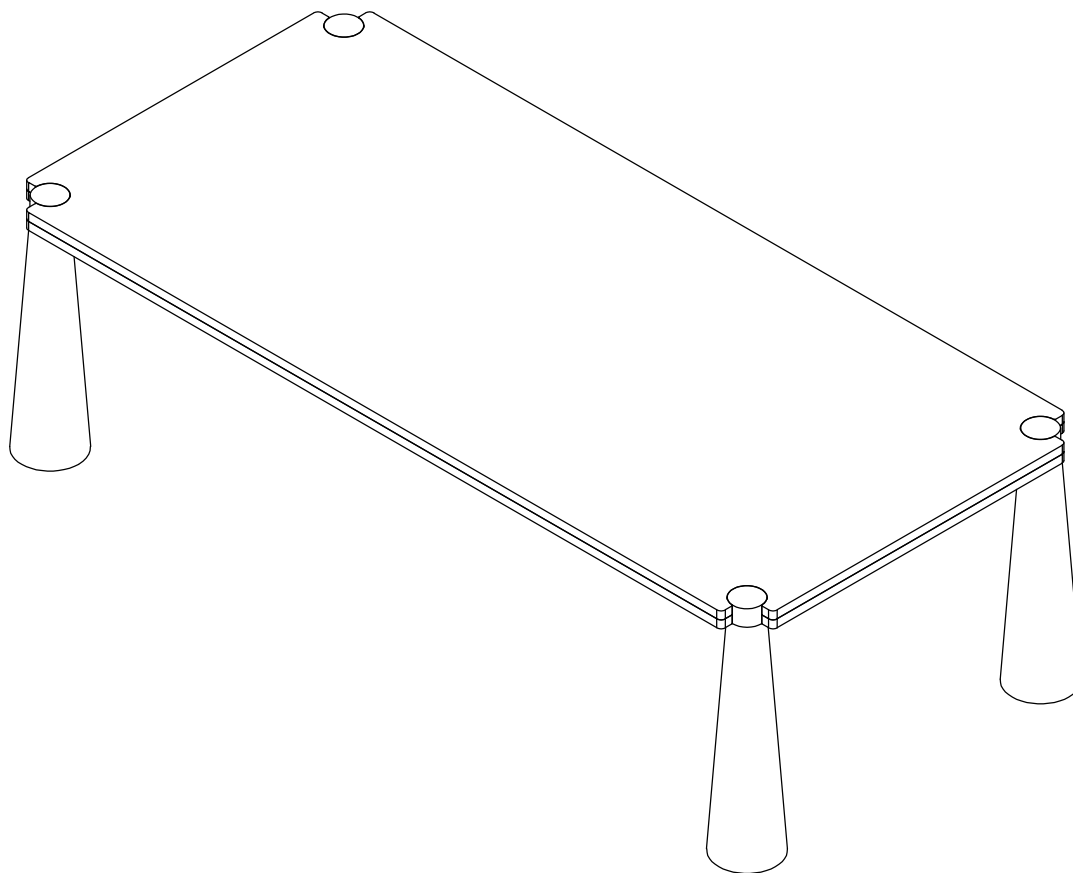
Assembly Instructions

SKU# 51031681

SKU# 51031682

PARTS LIST

A	TABLE TOP X 1					<p>Before beginning</p> <p>1) Carefully unpack and position the item on a clean, non-marring surface to assemble.</p> <p>2) Read this Assembly Instructions from beginning to end before starting to assemble.</p> <p>3) Take an inventory of the required parts to ensure all are available.</p> <p>4) To prevent accidental choking hazards, keep all packing materials away from small children.</p> <p>5) Only tighten hardware until ALL hardware are fully engaged on their locations. Overtighten bolts will damage the bolt threads.</p> <p>6) Use only factory provided hardware to assemble. Unapproved hardware can damage product or jeopardize the structural integrity of the product.</p> <p>7) The use of power tool to assemble is not recommended due to high risk of over-torque, which can damage the product.</p>
B	LEGS X 4					
Z	HARDWARE	<p>Z1</p>  <p>4 mm x1</p>	<p>Z2</p>  <p>M8x45 mm x24</p>	<p>Z3</p>  <p>8 mm x24</p>	<p>Z4</p>  <p>8 mm x24</p>	



ASSEMBLY REQUIRES
TWO PEOPLE



30 MINUTE
ASSEMBLY TIME



KEEP INSTRUCTIONS
FOR FUTURE USE

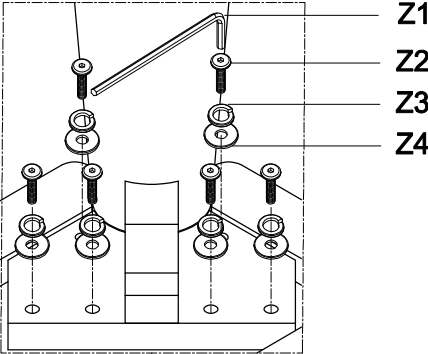


Assembly Instructions

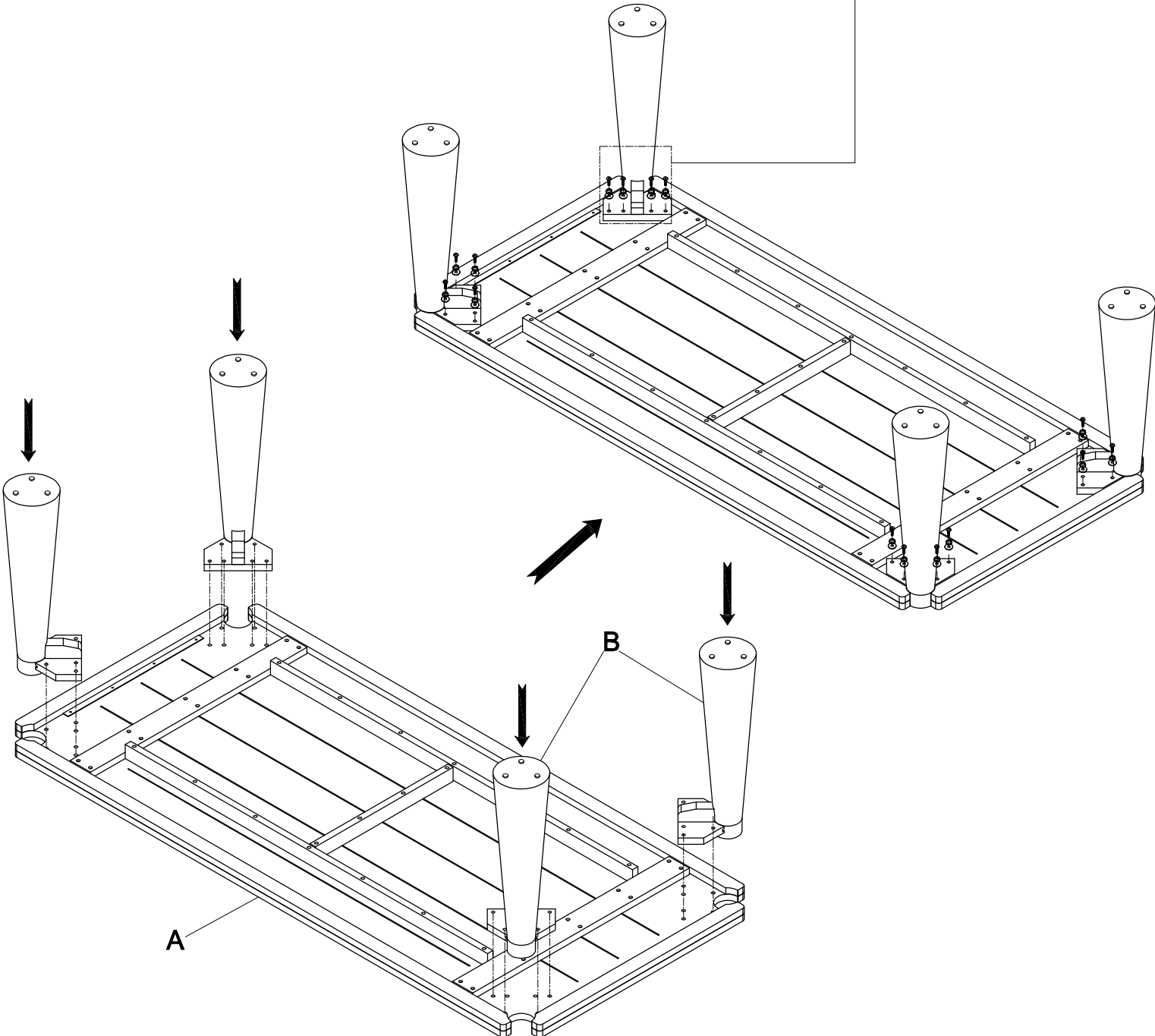
SKU# 51031681

SKU# 51031682

1



X4



Assembly Instructions

SKU# 51031681

SKU# 51031682

2

