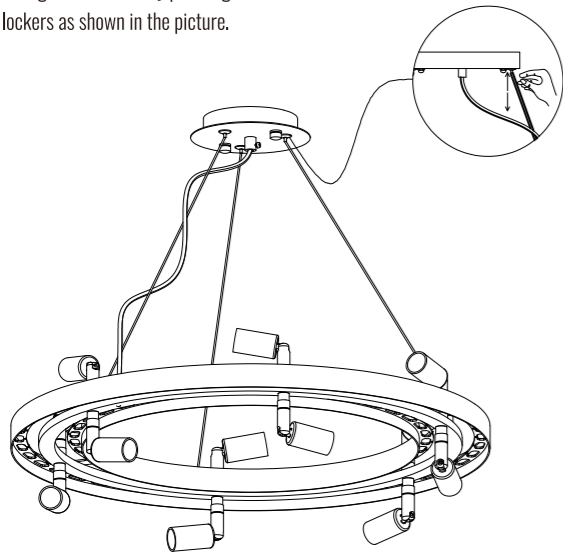


HARMONIZE AND INSTALL BULBS

1. Adjust the Balance

Adjust the length of the wire by pressing the wire lockers as shown in the picture.

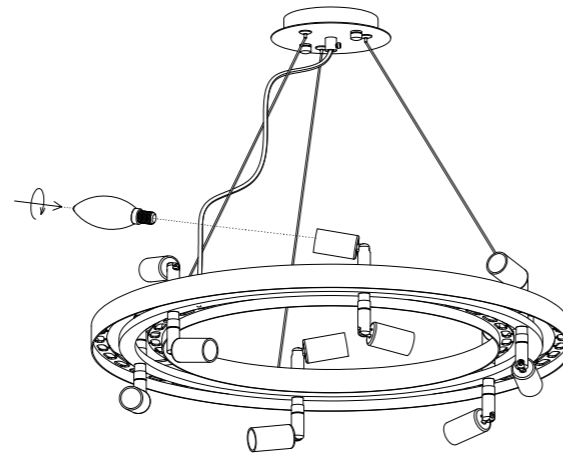


2. Install the Bulbs

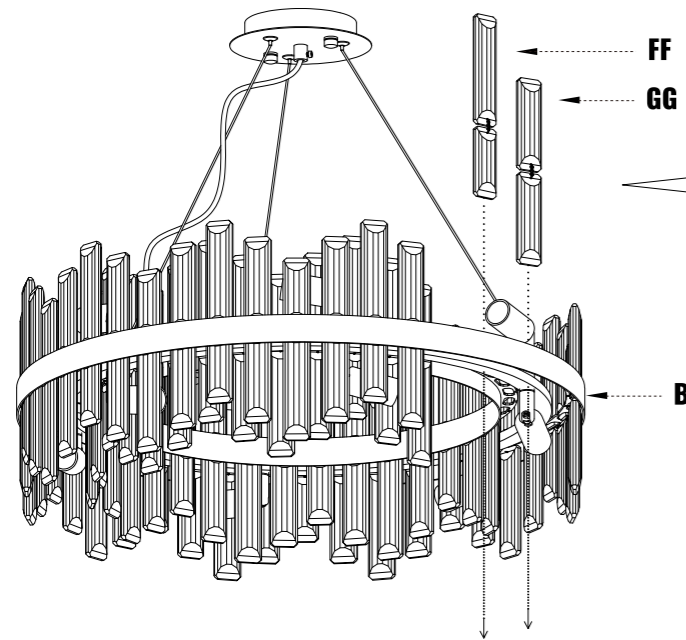
E12 x 12, Max 40W each, LED recommended (not included).

Note:

To achieve dimming functionality, you need to use dimmable bulbs and a dimmer switch.



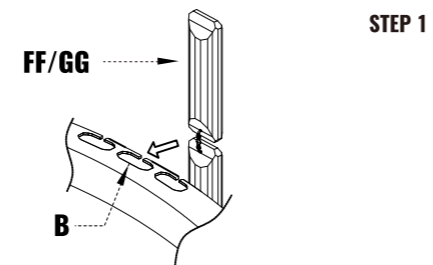
INSTALL THE CRYSTALS



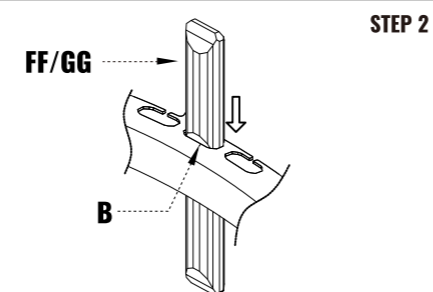
STEP 1: Insert the connector between FF/GG into the slot opening of B.

STEP 2: Secure FF/GG downward.

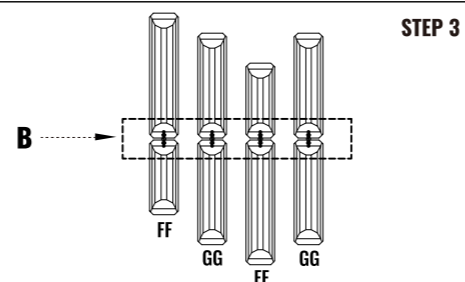
STEP 3: Arrange the crystals in the sequence "FF/GG/FF/GG" and repeat this group order.



STEP 1

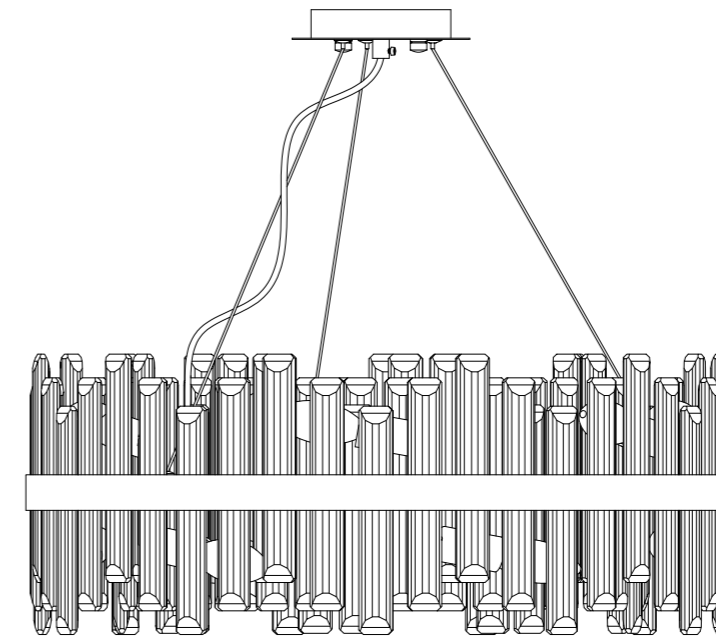


STEP 2



STEP 3

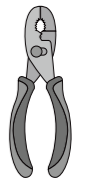
INSTALLATION MANUAL CHANDELIER



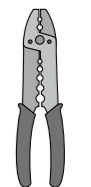
TOOLS REQUIRED



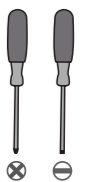
Ladder



Pliers

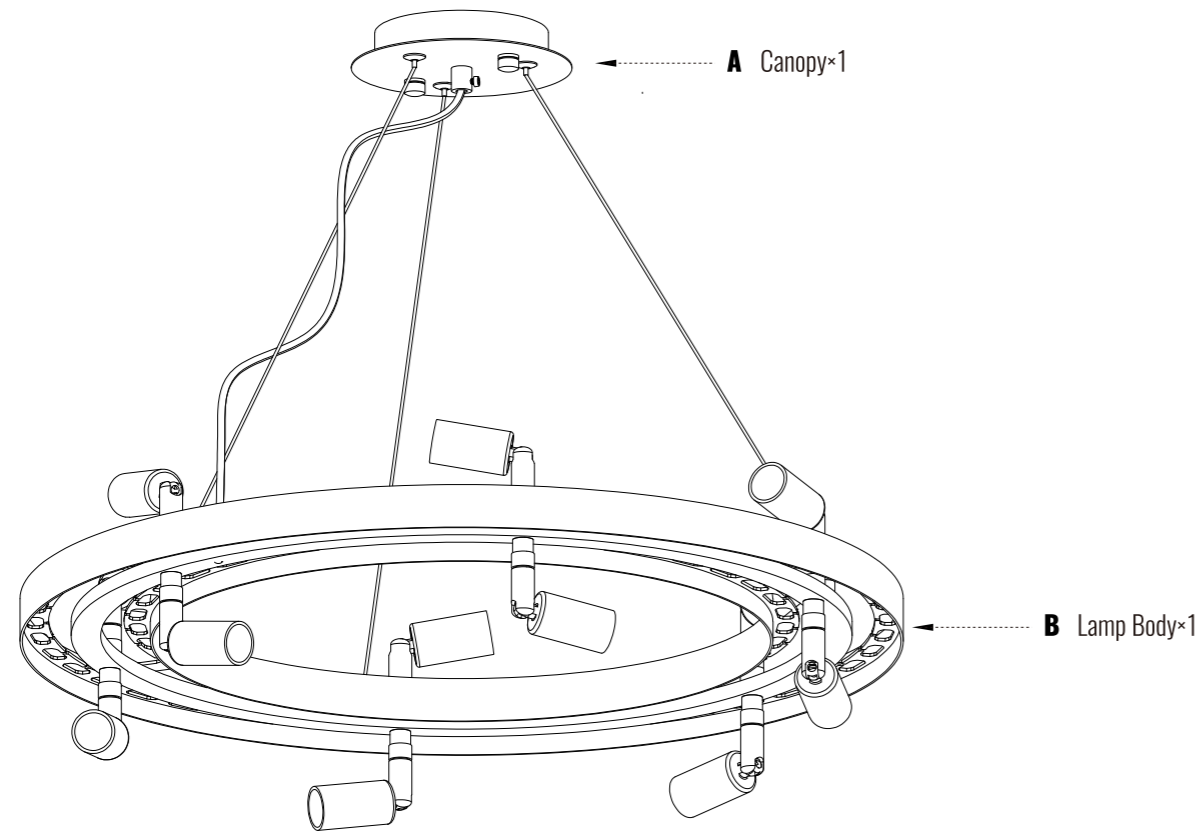


Wire Strippers

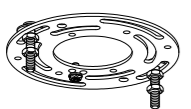
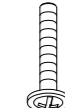








Screwdrivers

PACKING LIST



INSTALLATION KIT

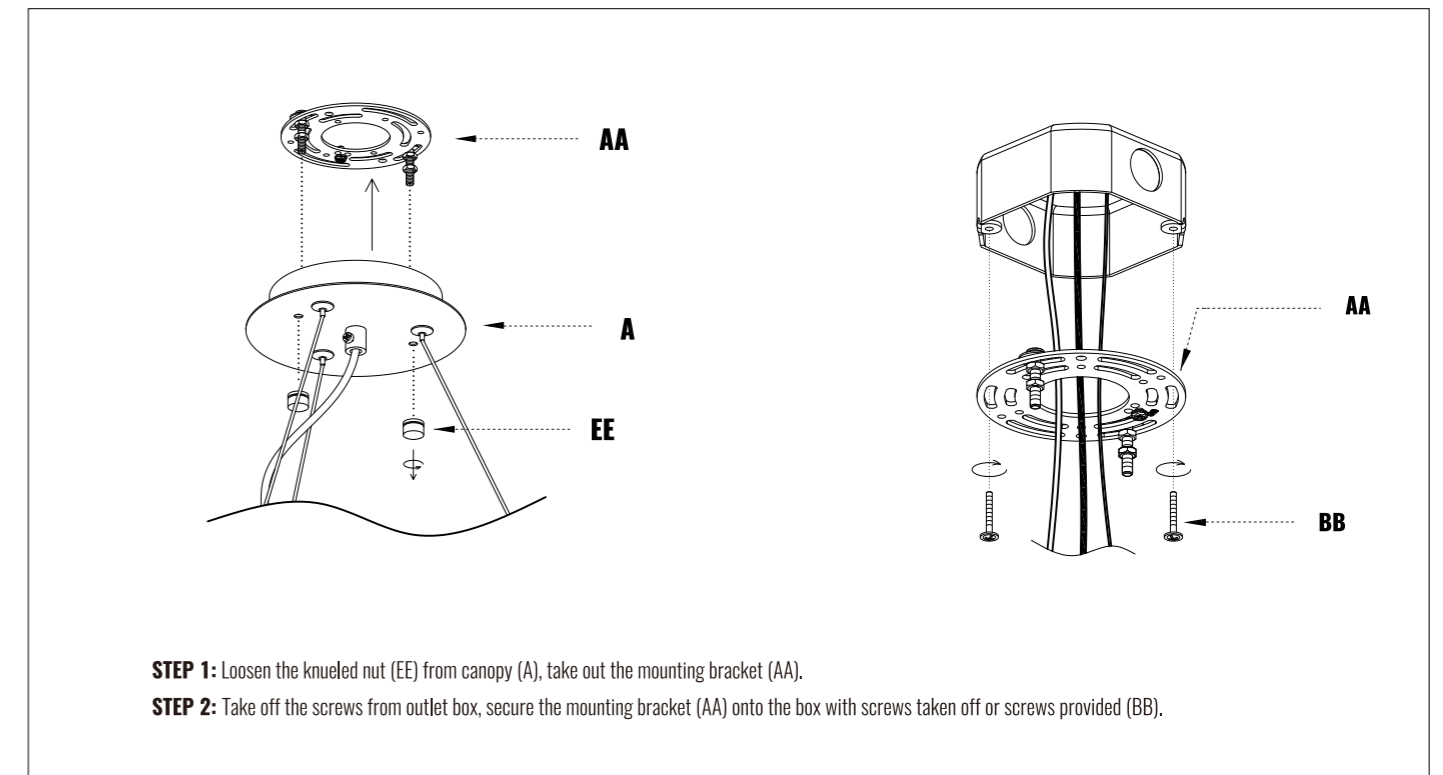
AA 1×  Mounting Bracket	BB 2×  Mounting Screw	CC 1×  Ground Screw	DD 3×  Wire Nut	EE 2×  Kneeled Nut
FF 42×  Crystal A	GG 42×  Crystal B	HH 1×  Gloves		

NOTE:

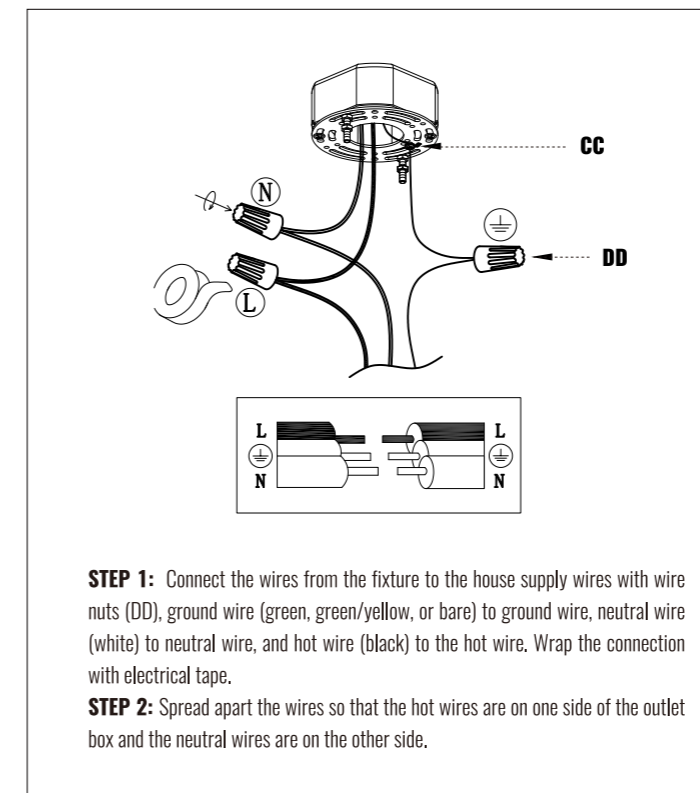
1. CC is pre-installed on AA, AA/EE is pre-installed on A.
2. FF/GG has two spare part for backup.

MOUNTING AND WIRE

1. Install the Mounting Bracket



2. Connect the Wires



3. Fix the Canopy

