

ASSEMBLING & INSTALLATION INSTRUCTIONS

The drawing shown may not exactly match the product enclosed. However, the installation instructions do apply to this product.

- ◆ **WARNING! SHUT POWER OFF AT FUSE OR CIRCUIT BREAKER.**
- ◆ **ATTENTION! COUPER LE COURANT AU FUSIBLE OU UN DISJONCTEUR.**

ASSEMBLING THE FIXTURE (Fig.1)

1. Shut off the power at the circuit breaker box. Remove old fixture and all hardware from Junction Box.
2. Carefully unpack your new fixture and lay out all the parts on a clear area. Take care not to lose any small parts necessary for installation.
3. Thread the two mounting screws about 1/4" into the pre-drilled holes in the mounting plate spaced the same distance apart as the holes in the canopy (A).
4. Attach the mounting plate to the Junction Box with the two Junction Box Screws as shown. The side of the mounting plate marked "GND" must face out. **The junction box is not included.**
5. Attach the tube(B) and canopy(A) to the top center thread joint of the shade(D), by turning it clockwise until tight. Put the shade(I) onto the top of shade(D), aligning the small mount shim with the small thread hole joint, lock it securely with the screw(J).
6. While holding the fixture assembled towards the ceiling, connect the electrical wires as shown in **Fig.2**, making sure that all wire nuts are secured. You may have to wrap the connections with electrical tape. If your outlet has a ground wire (green or bare copper), connect the fixture ground wire to it. Otherwise connect fixture's ground wire directly to the mounting plate with the green screw provided. After wires are connected, tuck them carefully inside the Junction Box.
7. Raise the fixture assembled onto the junction box, aligning screws on mounting plate with mounting holes in canopy(A) and lock it securely with the nuts(C).
8. Install the light bulbs(not included) in accordance with the fixture specifications. **NOTE: DO NOT EXCEED THE SPECIFIED WATTAGE!**
9. Raise the pipe(H) to the bottom lamp holder's pipe thread, by turning it clockwise until tight. Raise the plastic shim(F) insert to the finial's pipe thread, attached the diffuser(E) to the bottom of shade(D), aligning the center hole with thread hole, lock it securely with the finial(G).

Your installation is now complete. Return power to the junction box and test the fixture.

FIG.1

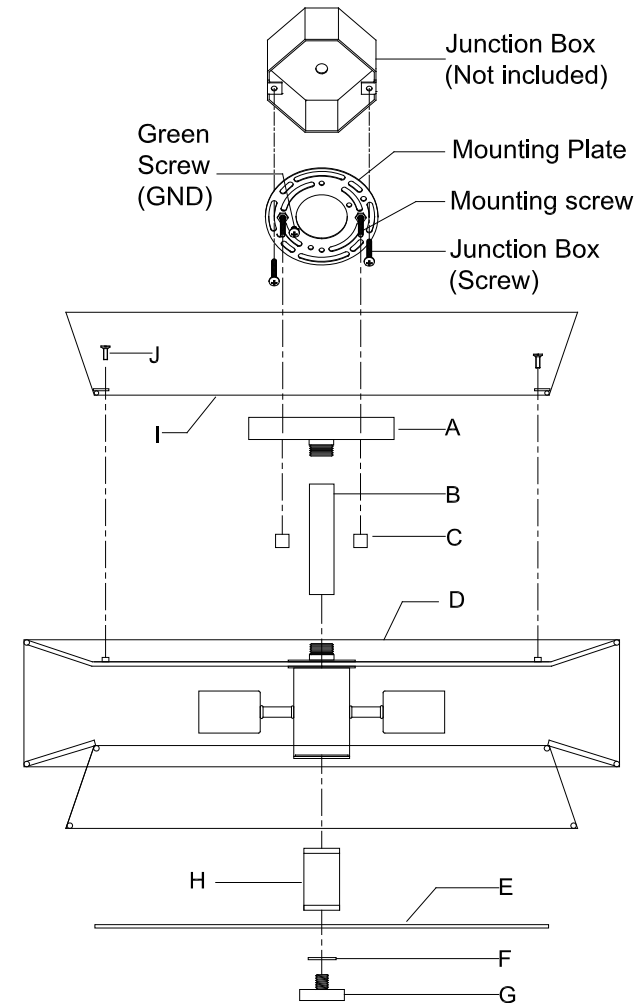


FIG.2

