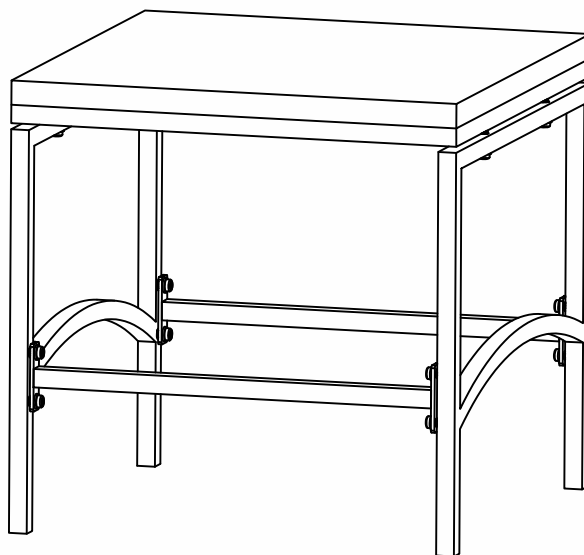
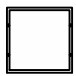



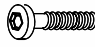





Installation & Assembly

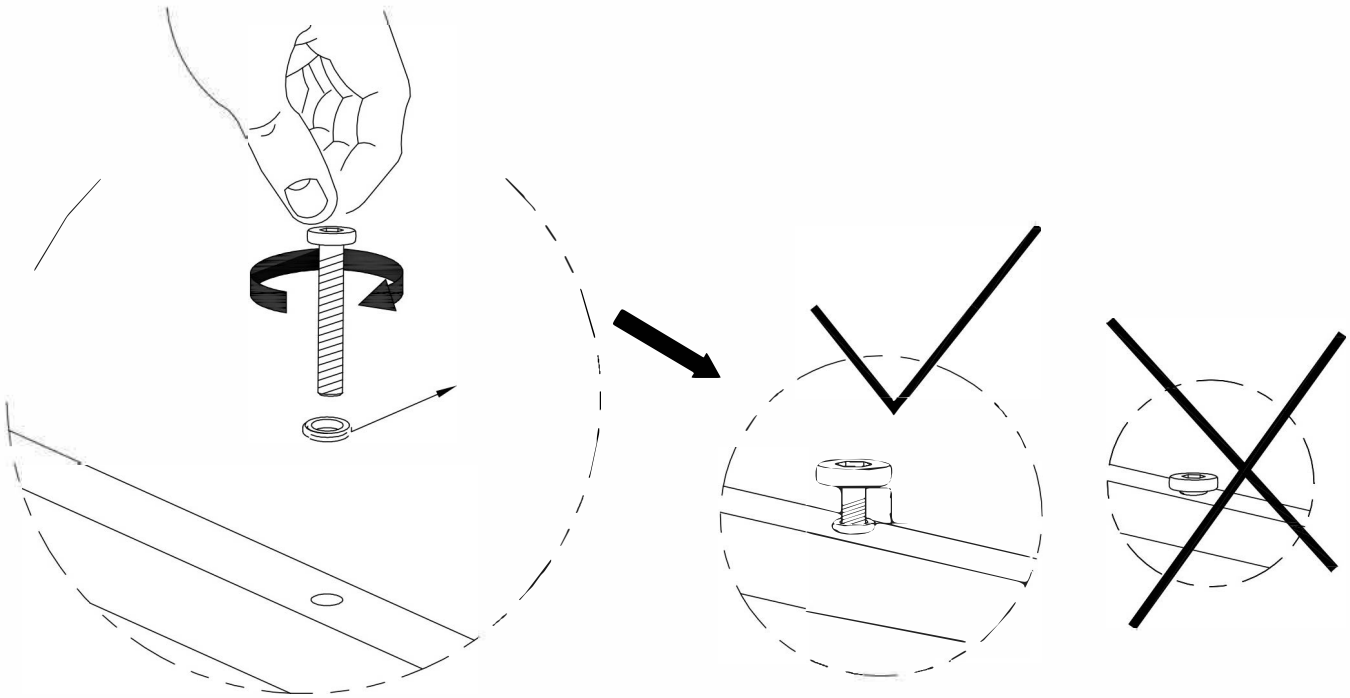
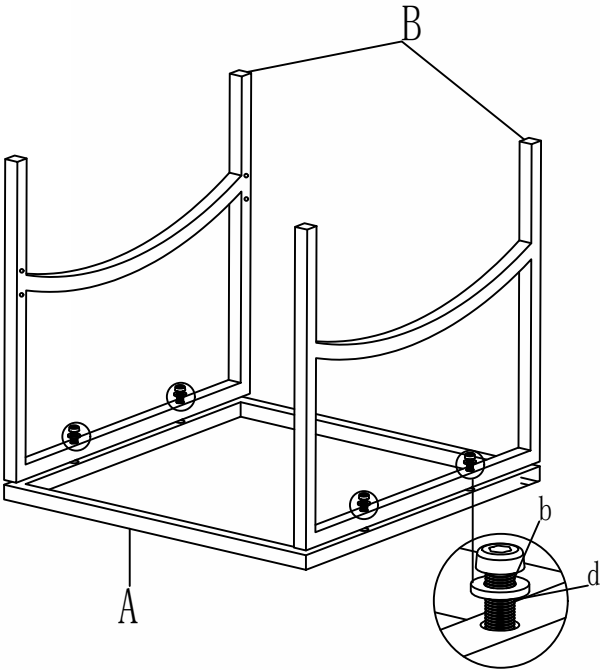


A			1
B			2
C			2
D			1

b		M6*30MM	4
c		M6*15MM	8
d		M6	12
e		M6	1

STEP 1

- A*1
- B*2
- b*4
- d*4



Do Not Tighten The Screws Completely .

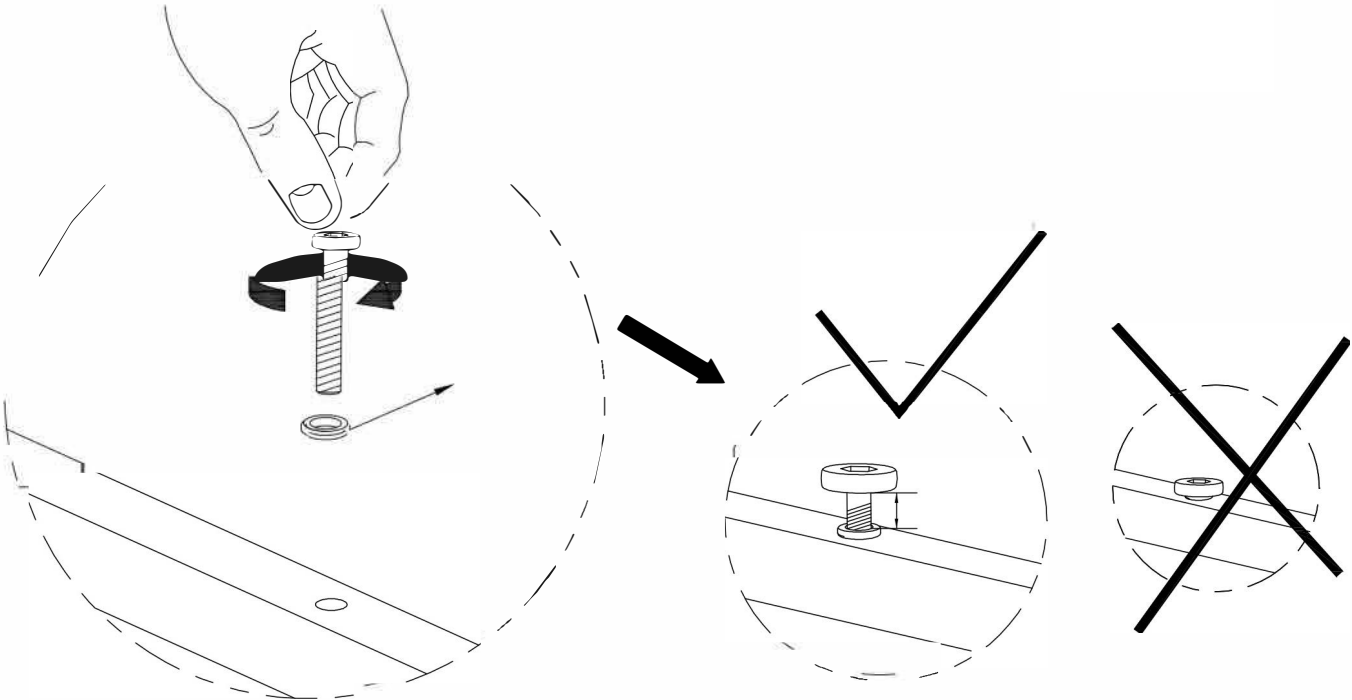
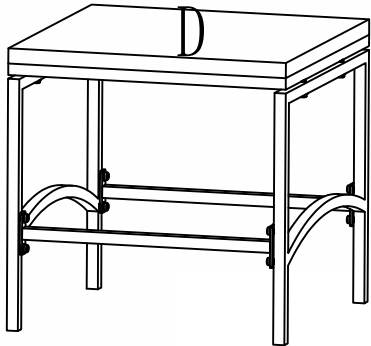
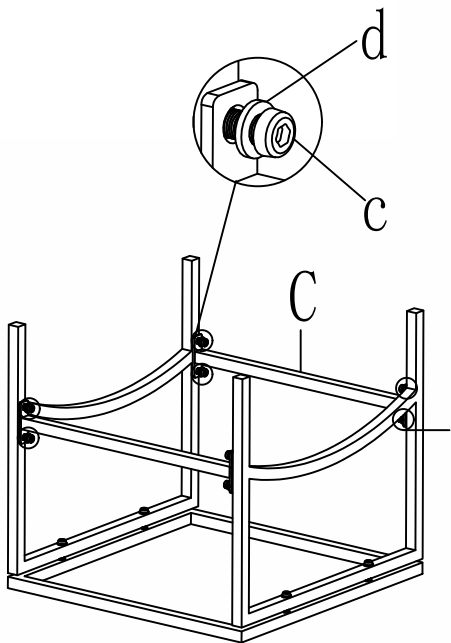
STEP 2

C*2

D*1

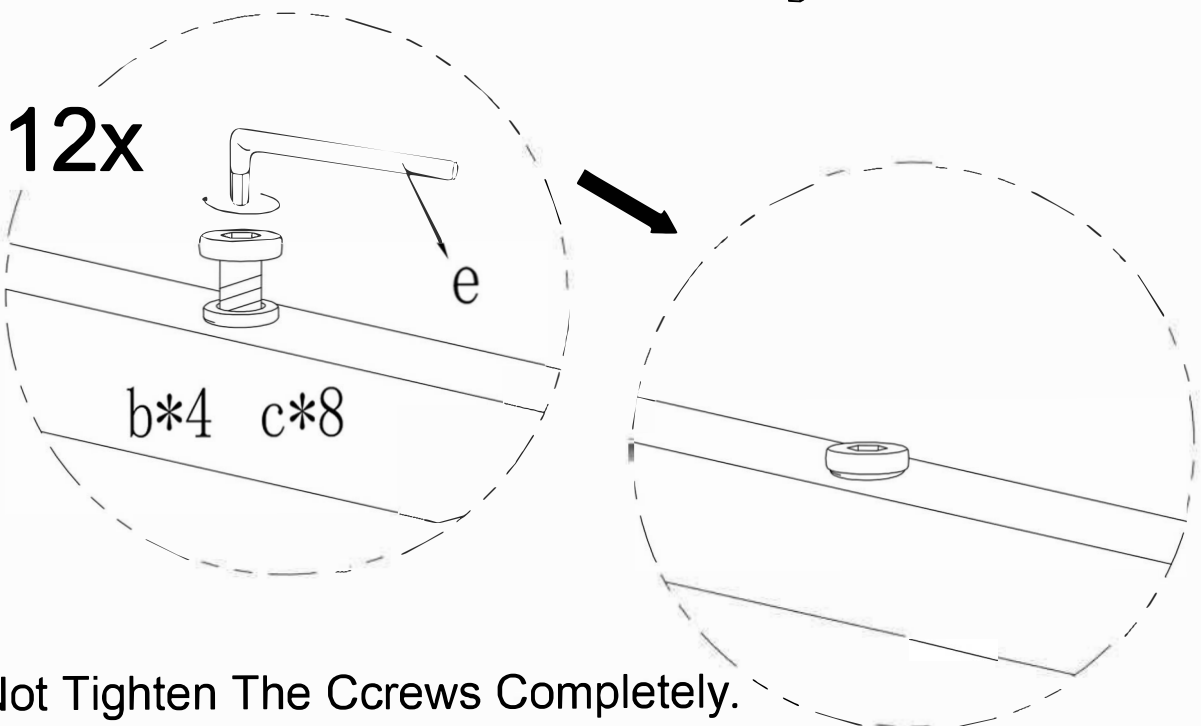
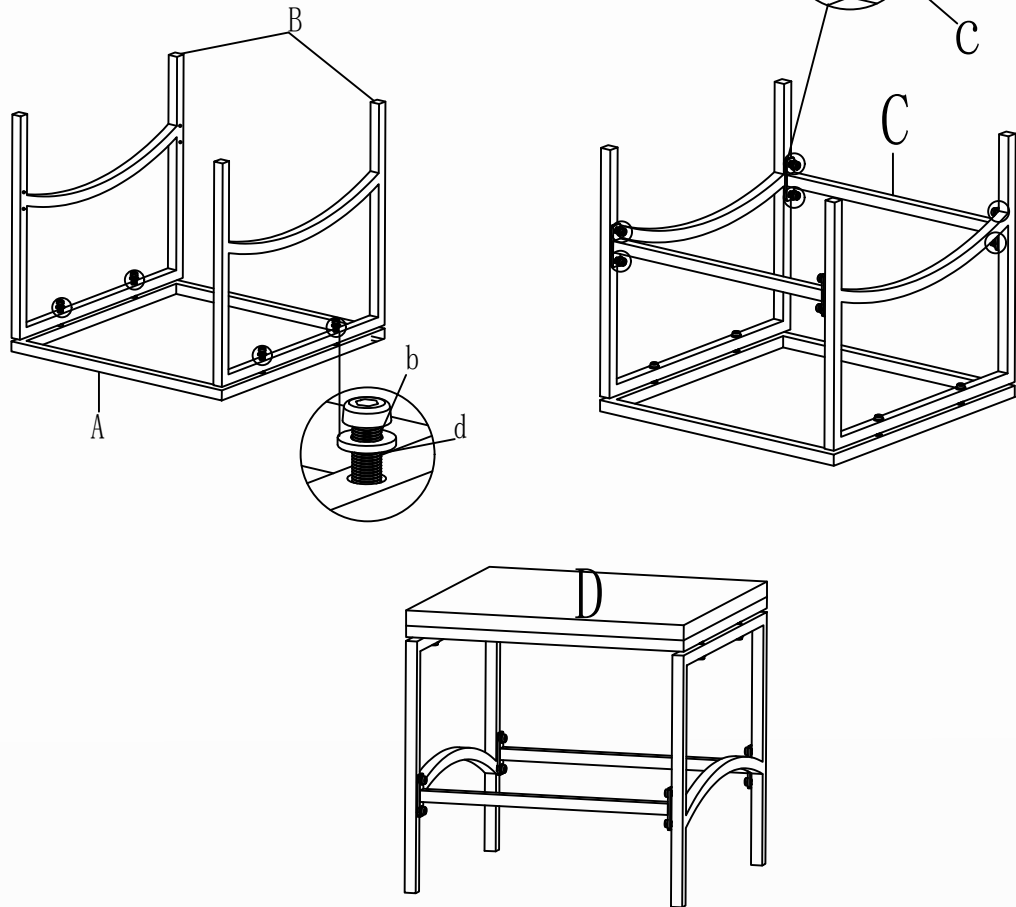
c*8

d*8

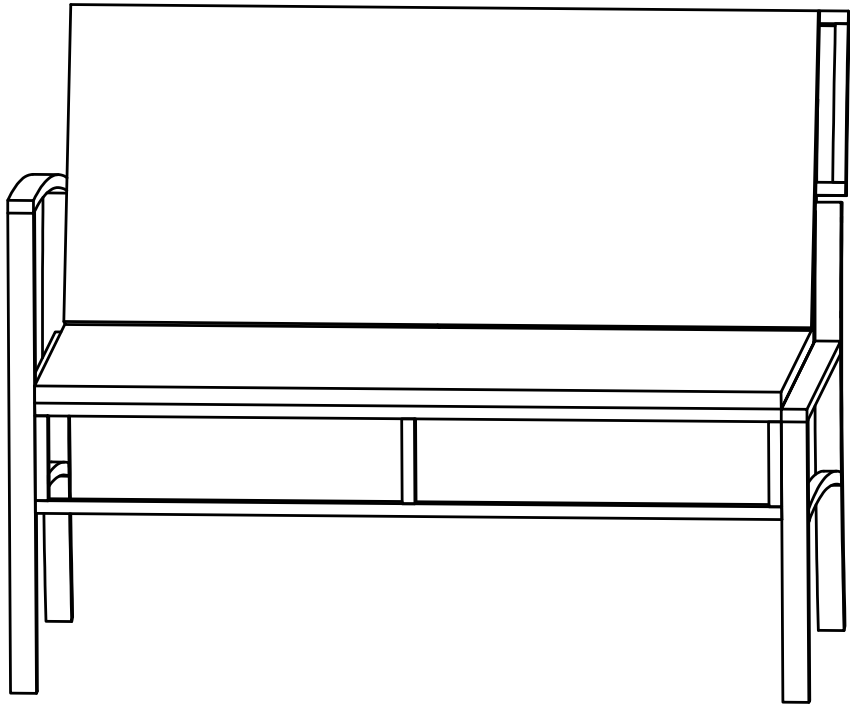







Do Not Tighten The Screws Completely.


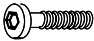


STEP 3



Do Not Tighten The Ccrews Completely.

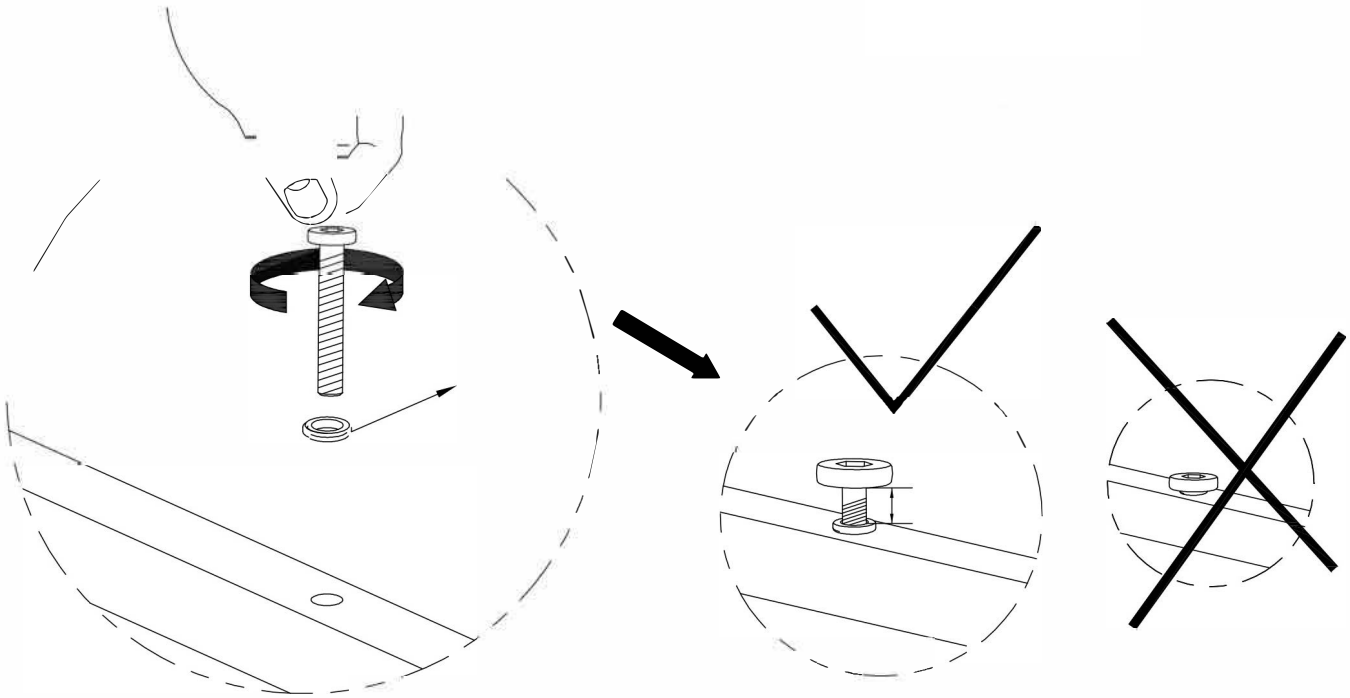
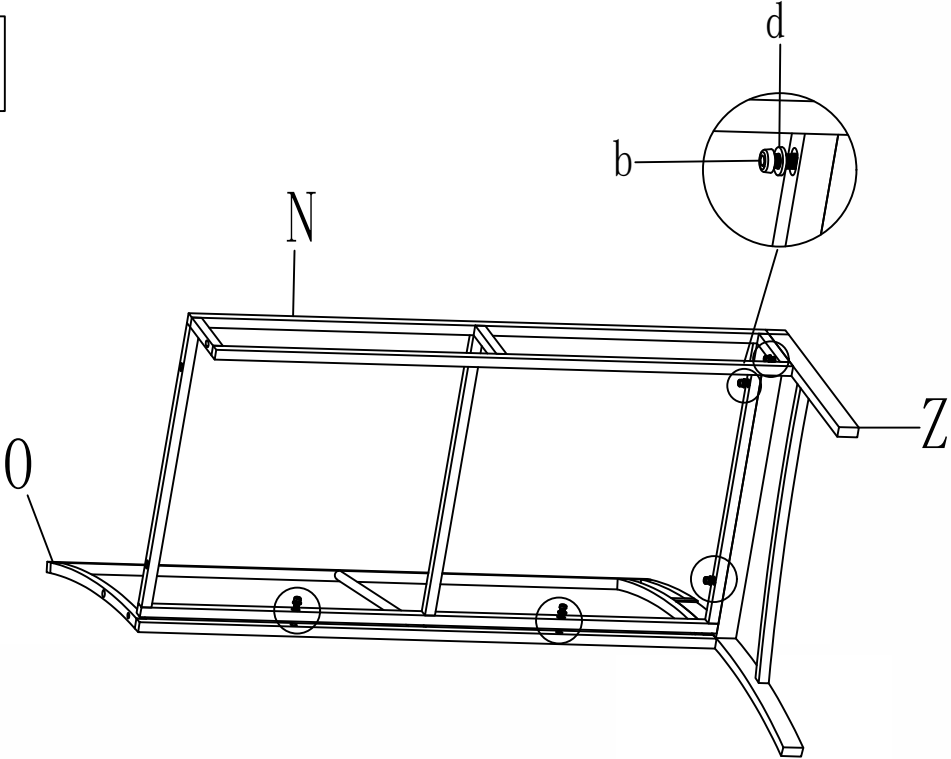


N			1
O			1
P			1
Z			1
L			1

a		M6*45MM	4
b		M6*30MM	8
d		M6	12
e		M6	1

STEP 1

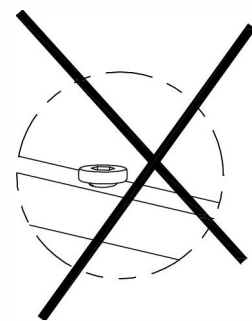
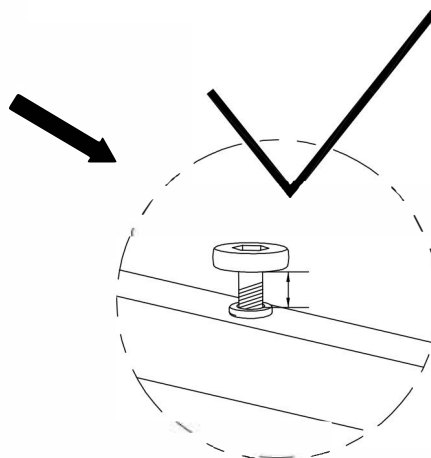
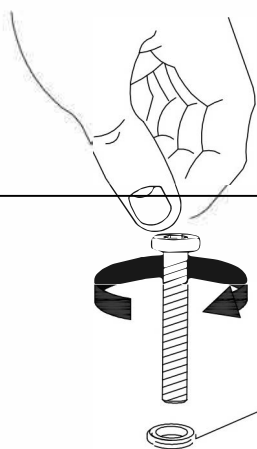
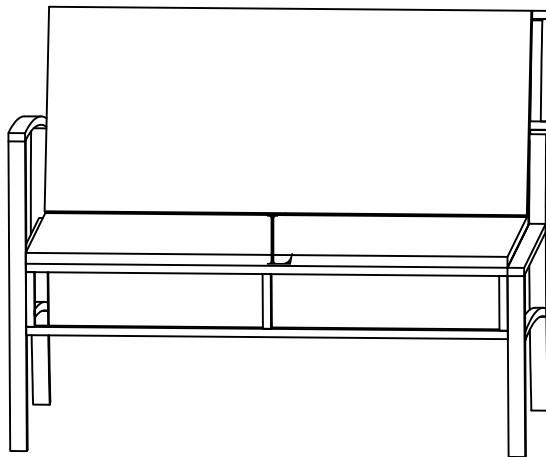
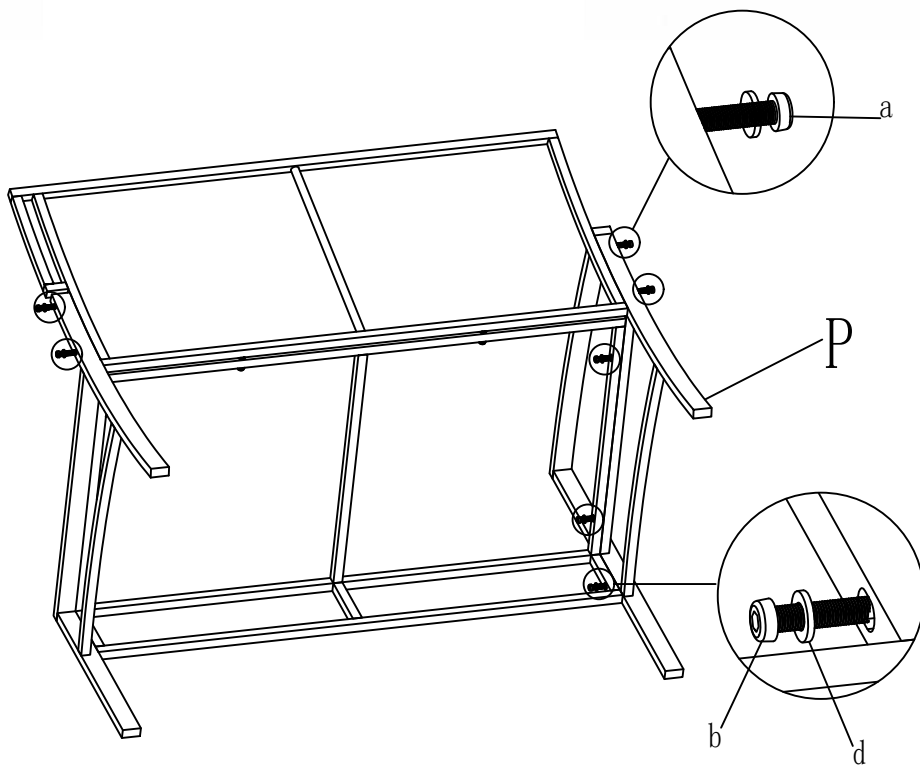
- N*1
- O*1
- Z*1
- b*5
- d*5



Do Not Tighten The Screws Completely .

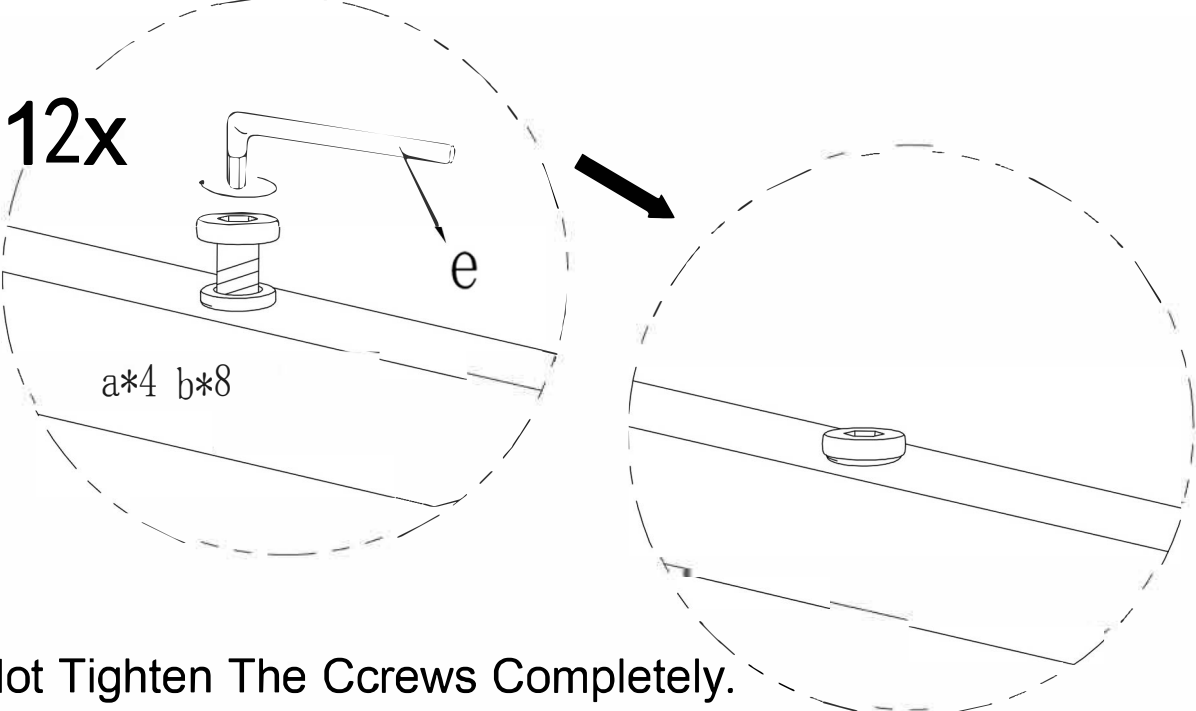
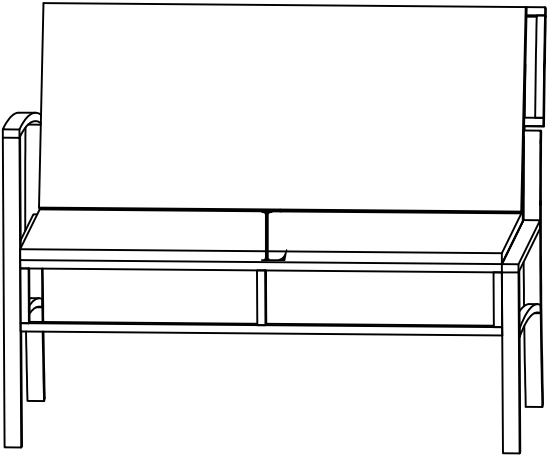
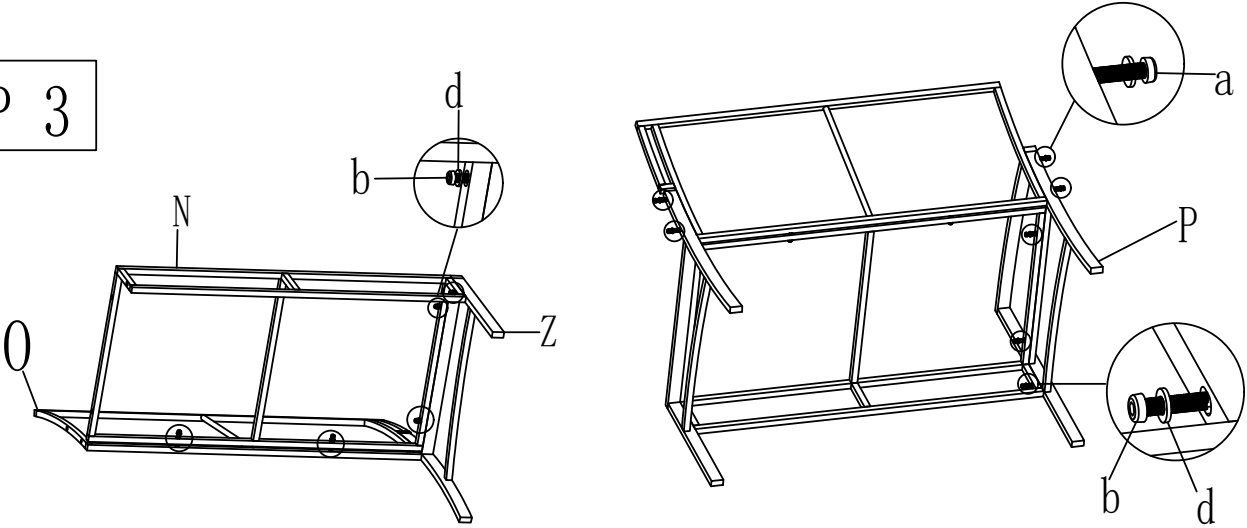
STEP 2

- P*1
- a*4
- b*3
- d*7
- L*1

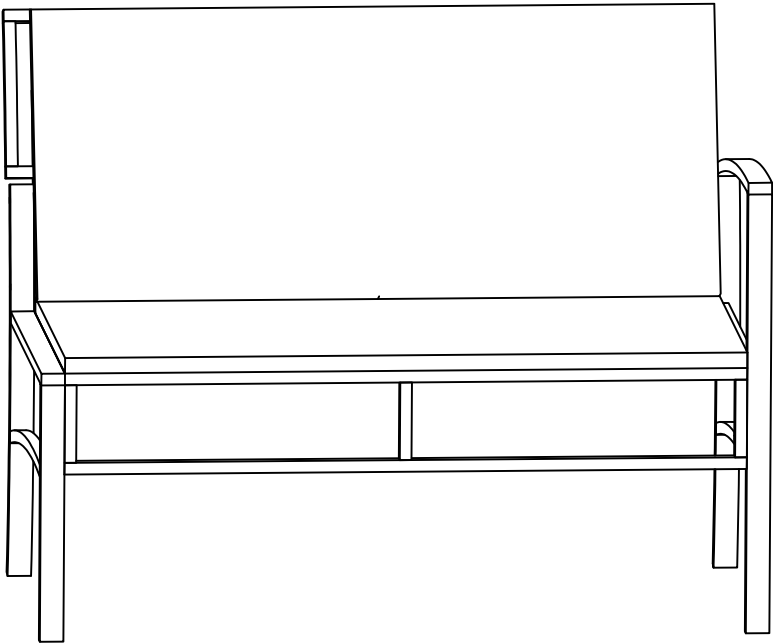







Do Not Tighten The Screws Completely.


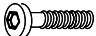

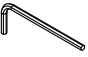
STEP 3



Do Not Tighten The Ccrews Completely.



N			1
I			1
J			1
K			1
L			1

a		M6*45MM	4
b		M6*30MM	8
d		M6	12
e		M6	1

STEP 1

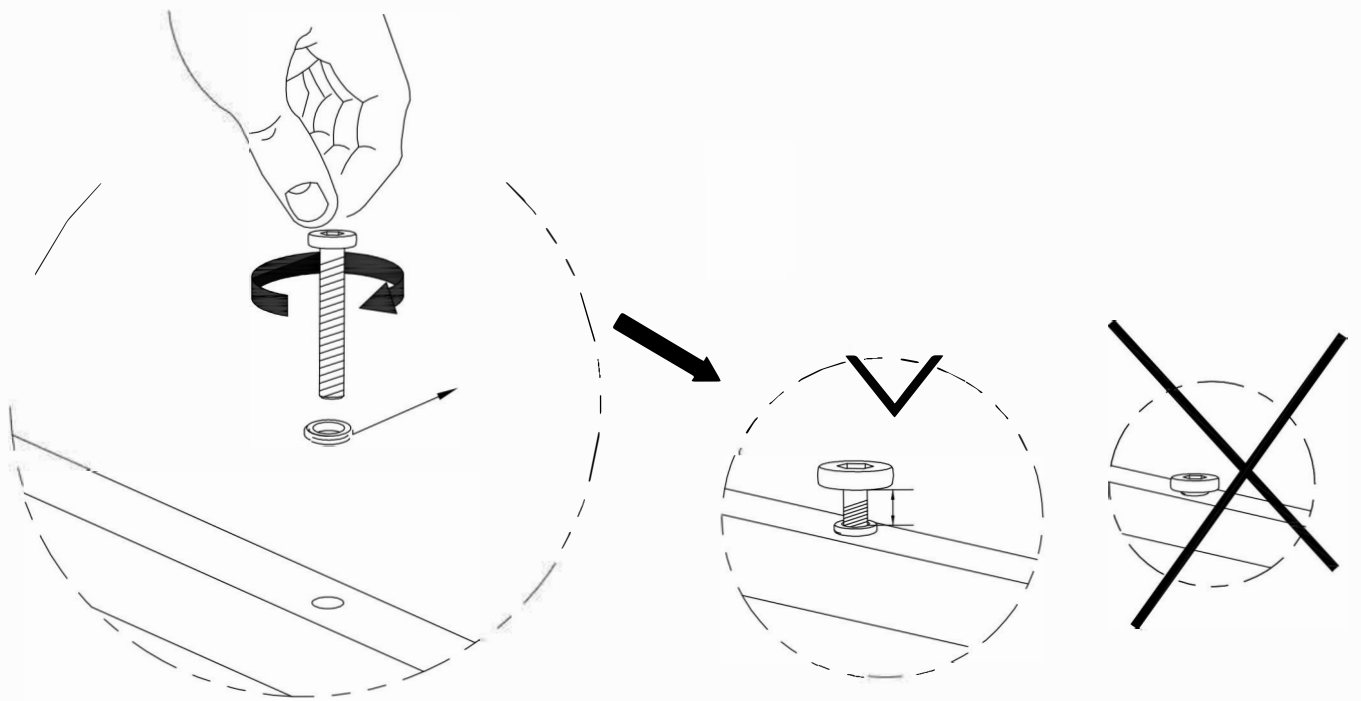
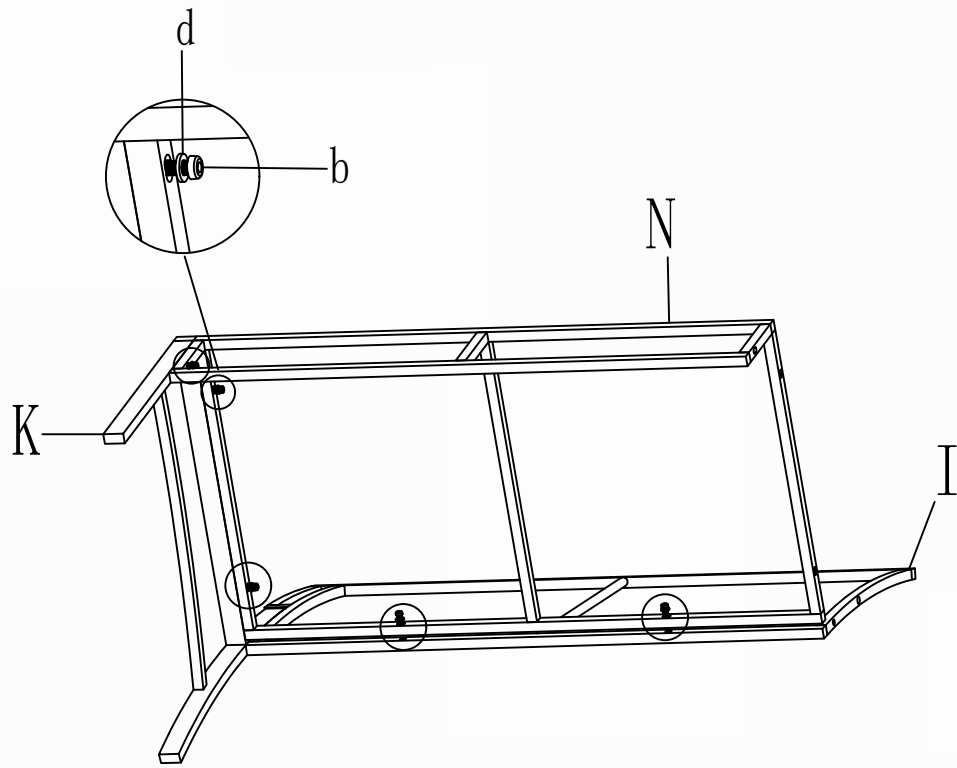
N*1

I*1

K*1

b*5

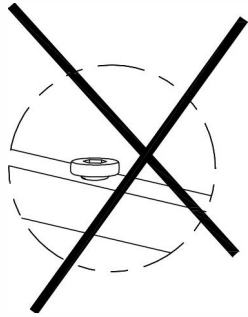
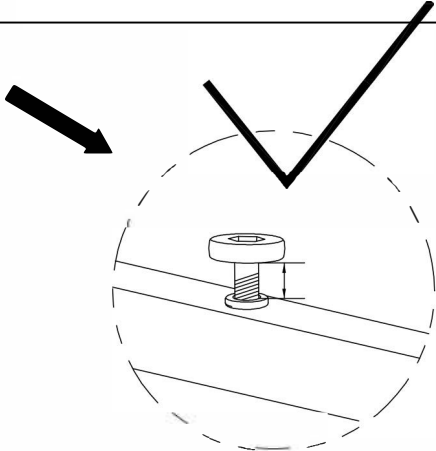
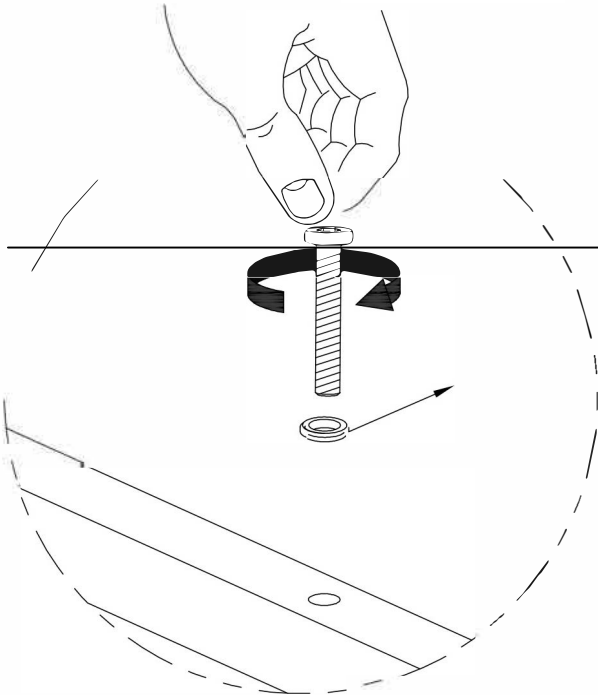
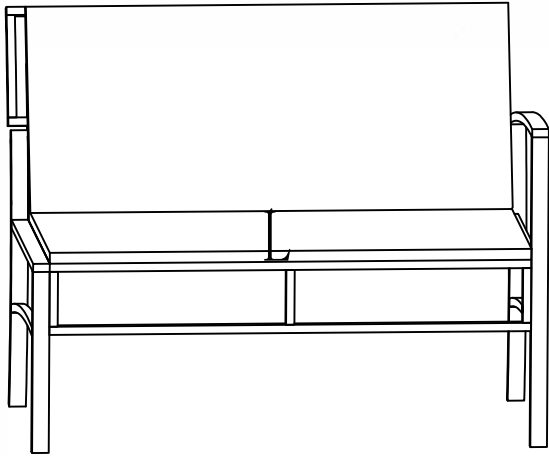
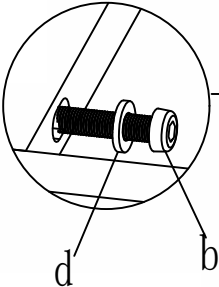
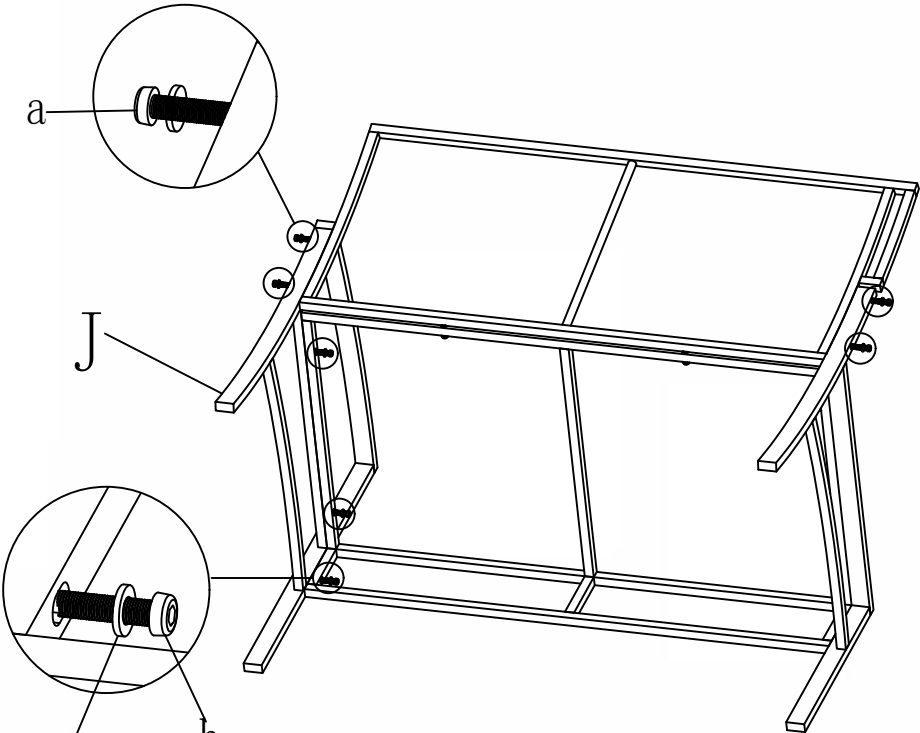
d*5



Do Not Tighten The Screws Completely .

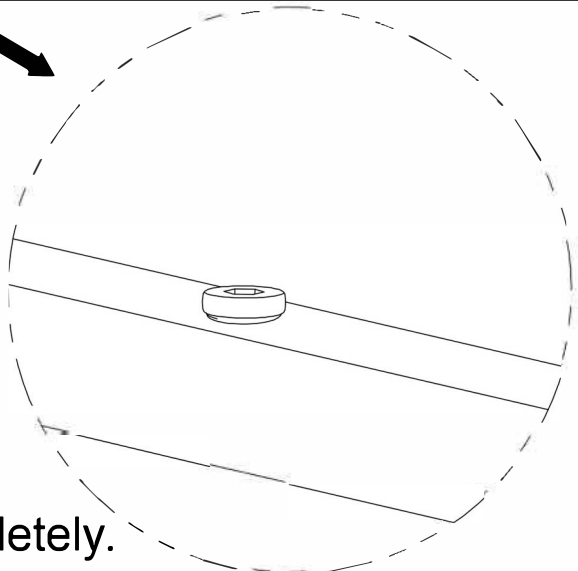
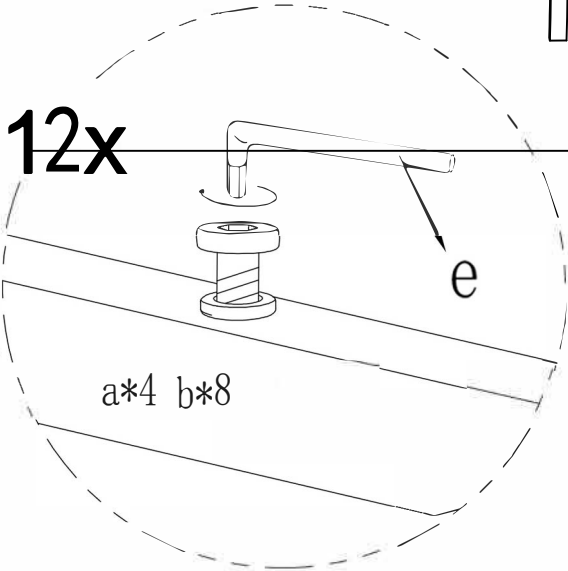
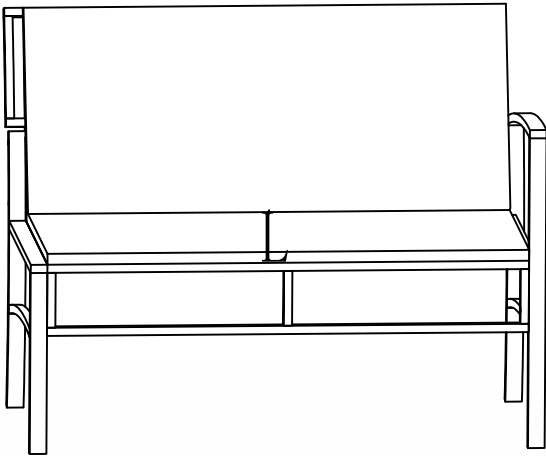
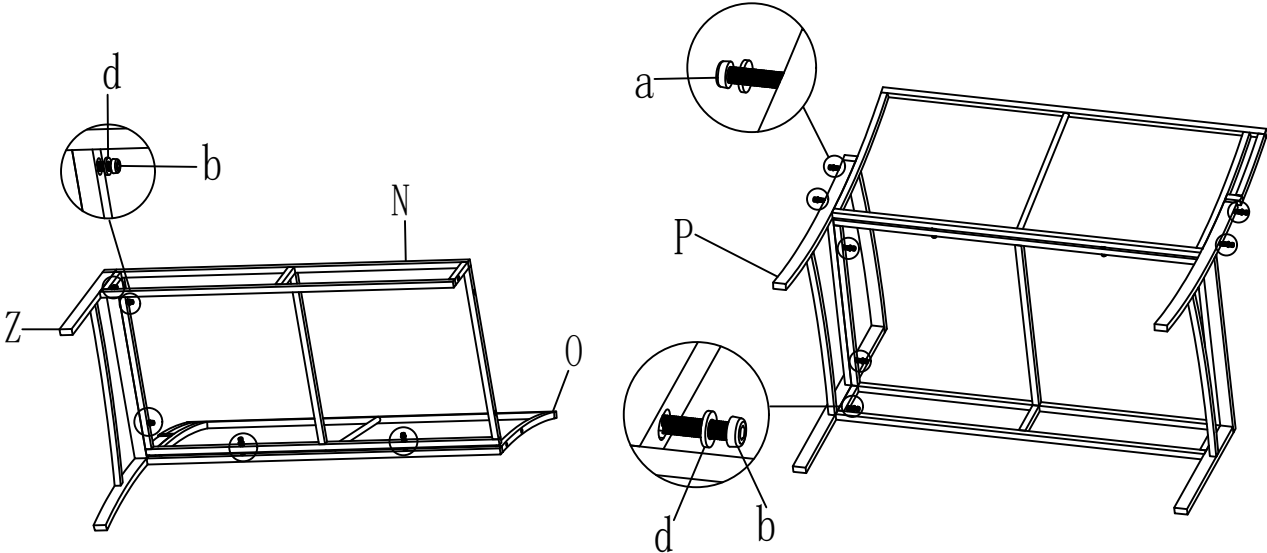
STEP 2

- J*1
- a*4
- b*3
- d*7
- L*1

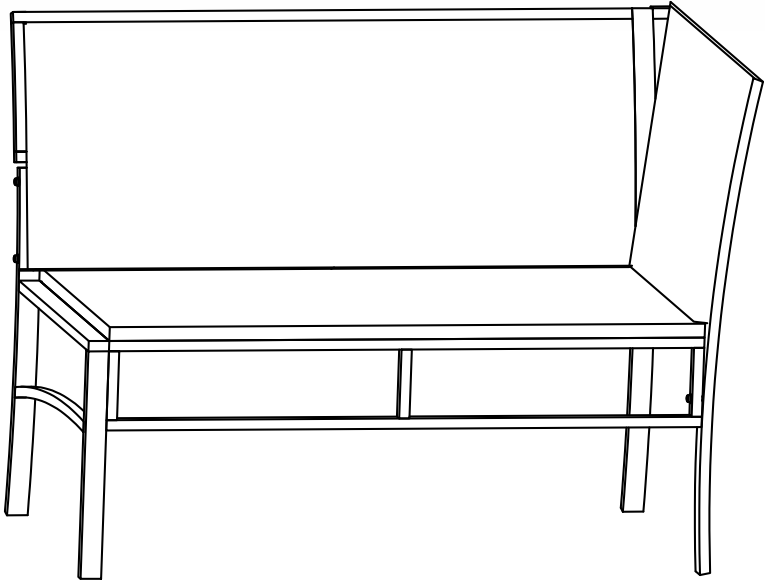







Do Not Tighten The Screws Completely.


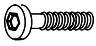


STEP 3



Do Not Tighten The Ccrews Completely.



N			1
I			1
R			1
K			1
L			1

a		M6*45MM	4
b		M6*30MM	8
d		M6	12
e		M6	1

STEP 1

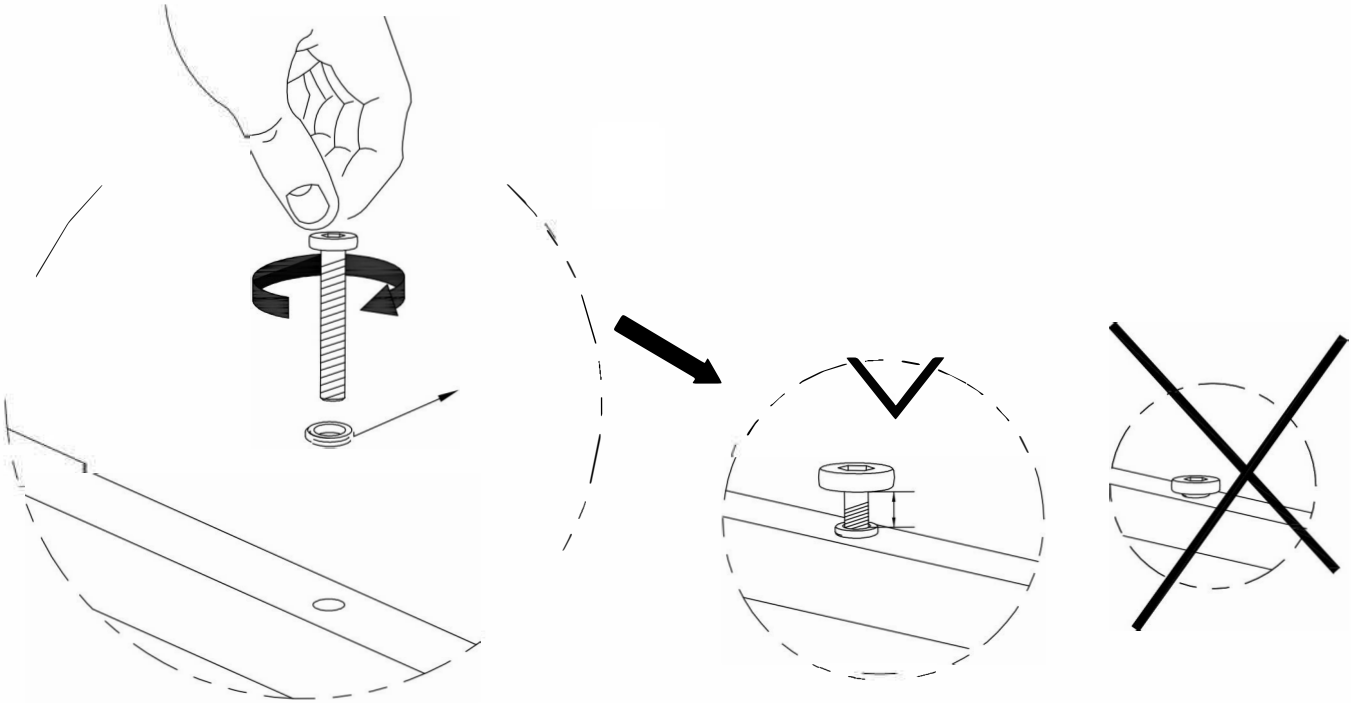
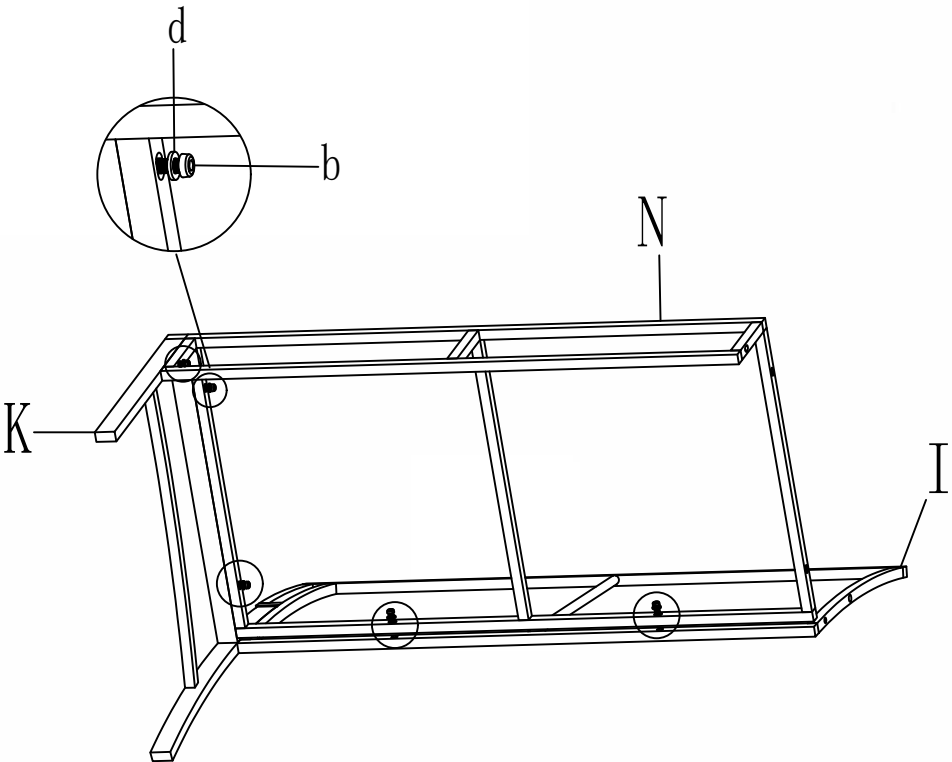
N*1

I*1

K*1

b*5

d*5



Do Not Tighten The Screws Completely .

STEP 2

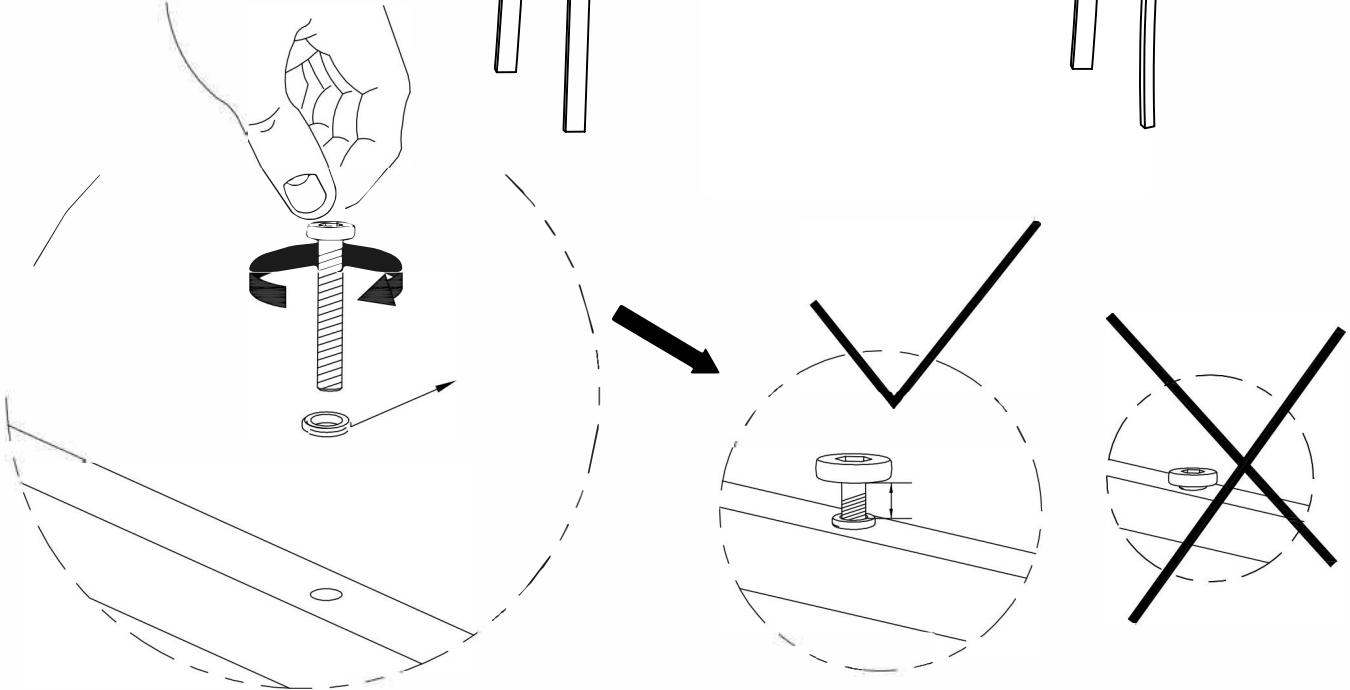
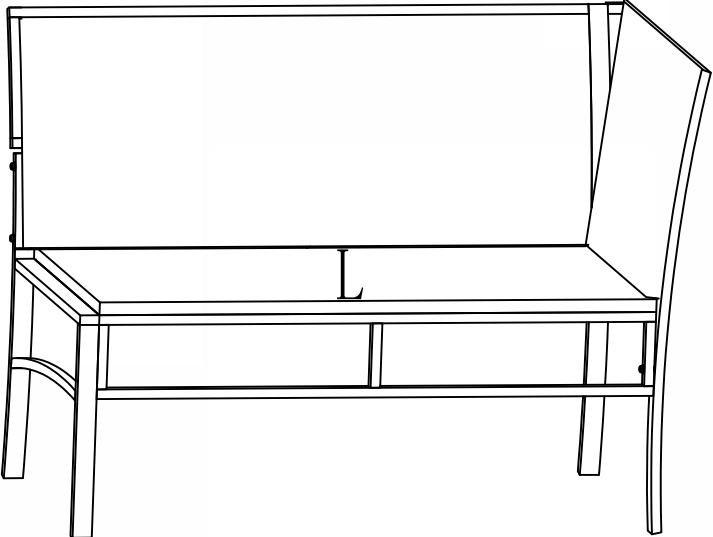
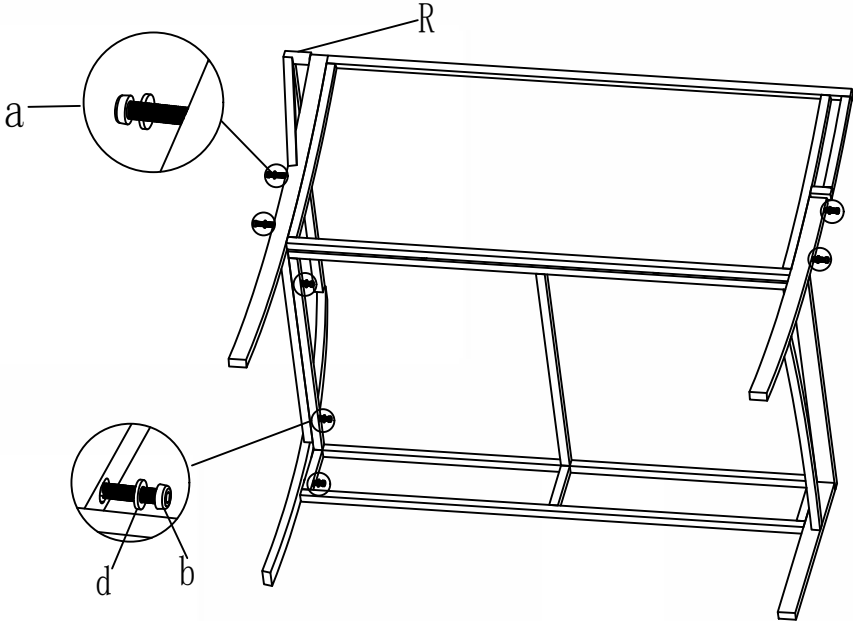
R*1

a*4

b*3

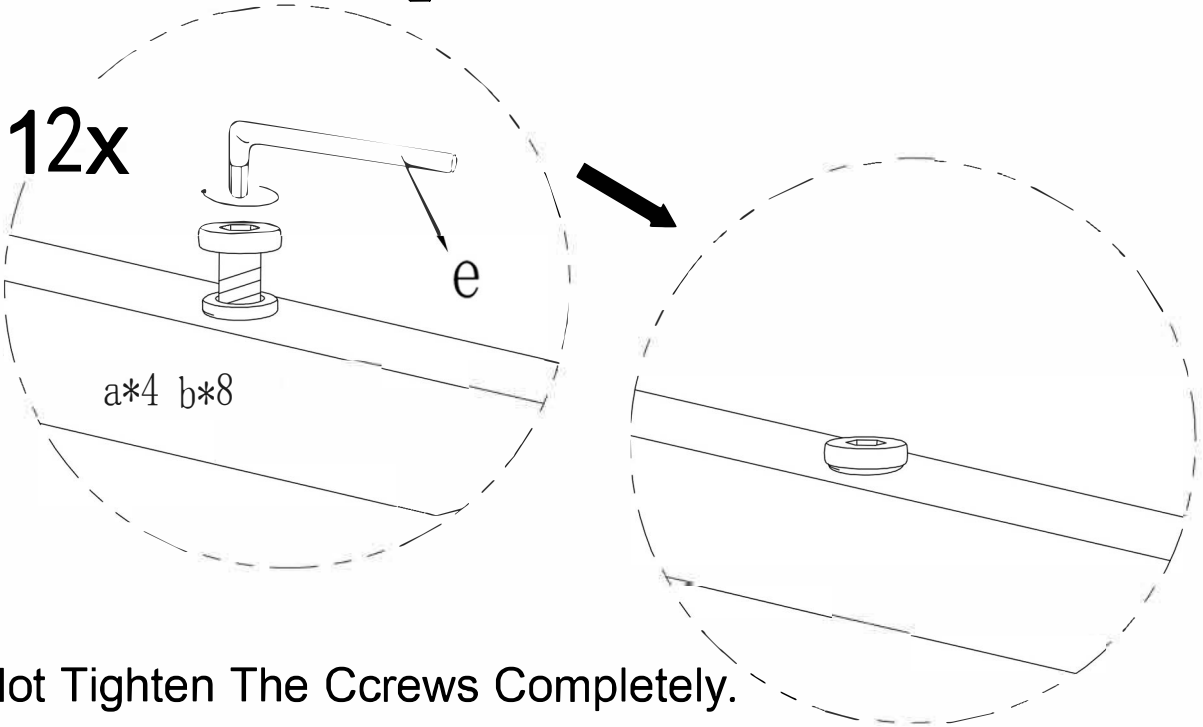
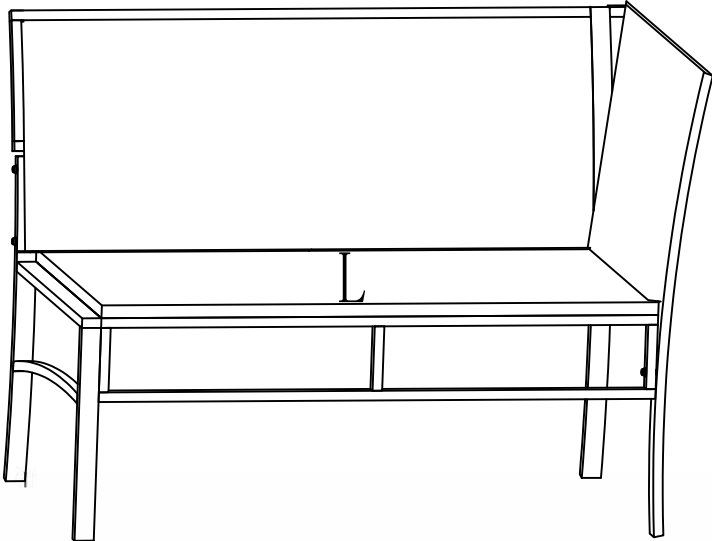
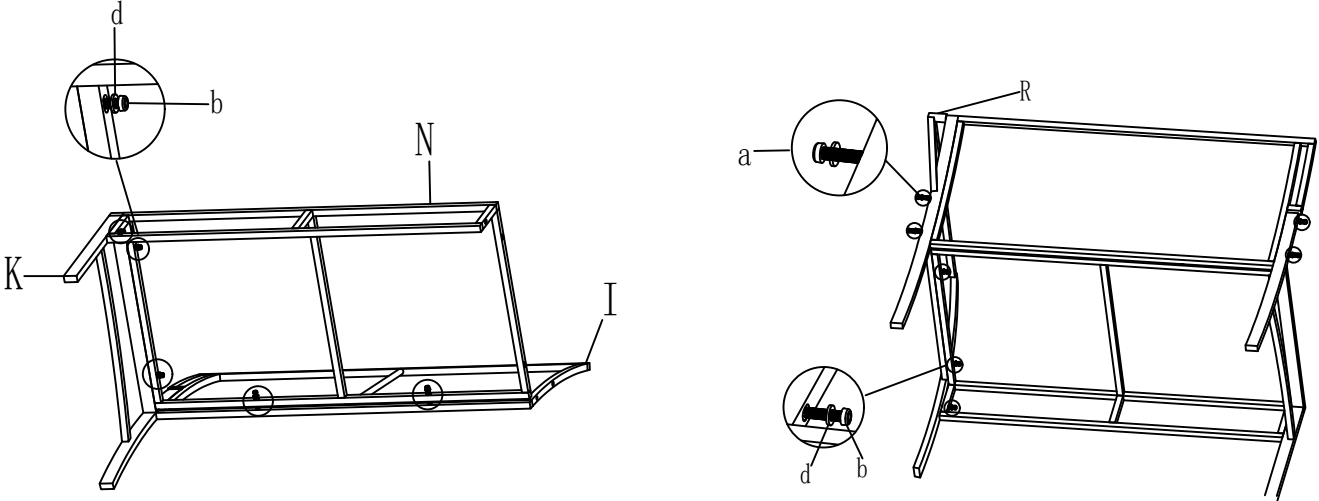
d*7

L*1

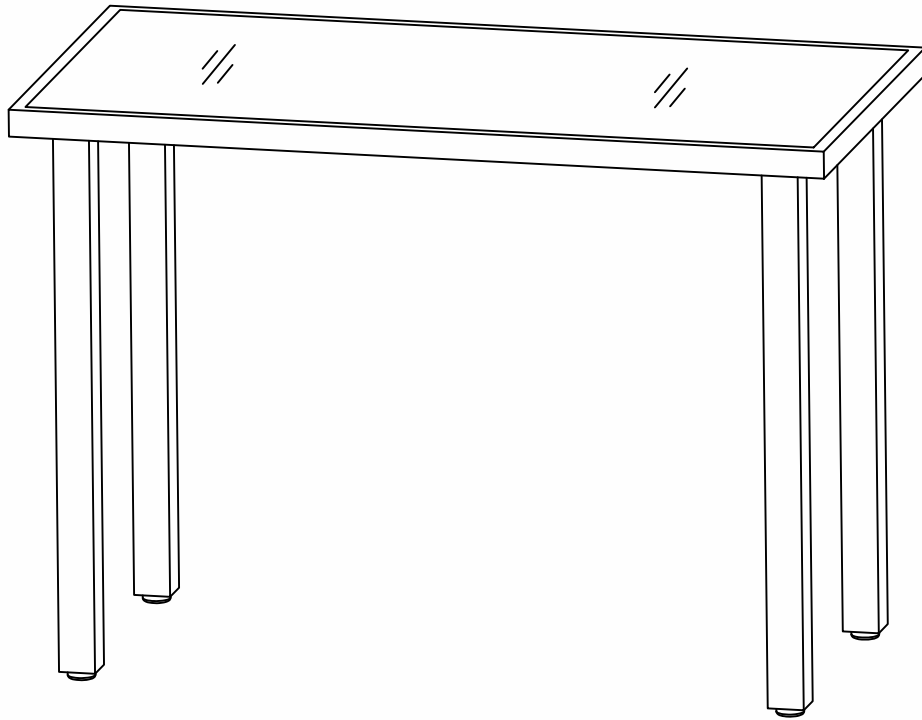





Do Not Tighten The Screws Completely.



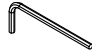
STEP 3



Do Not Tighten The Ccrews Completely.

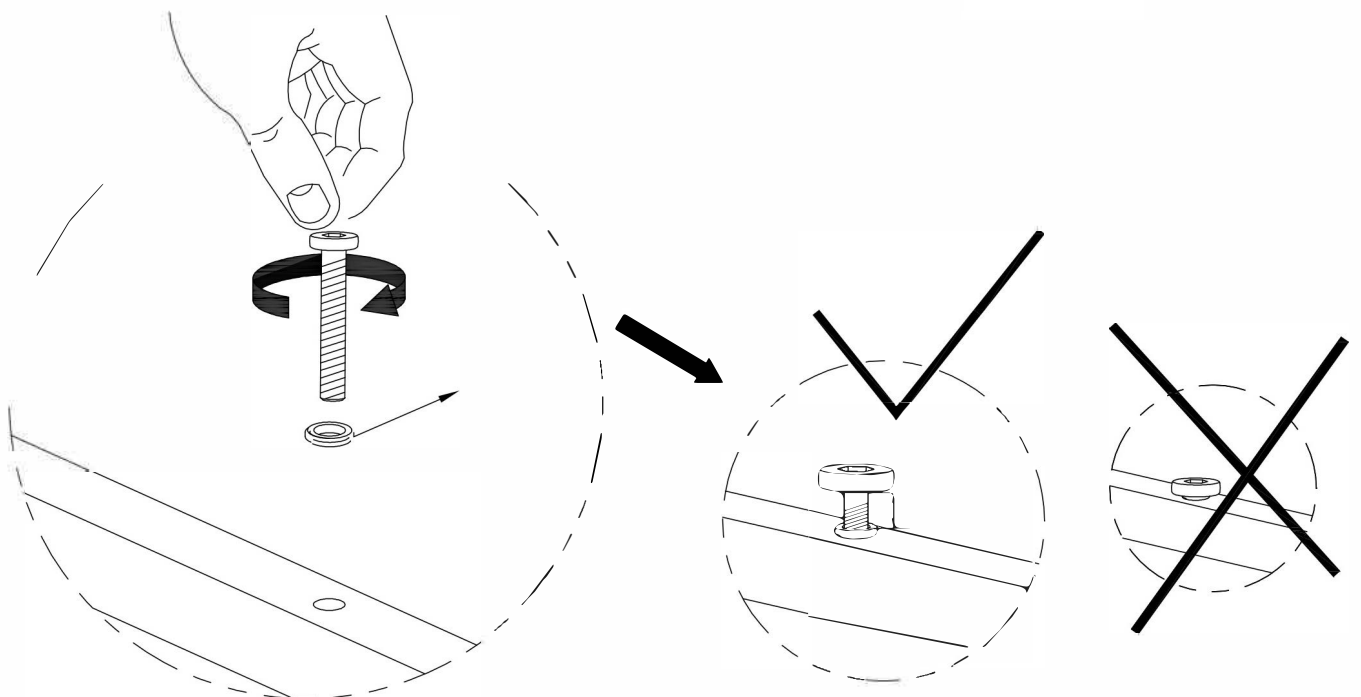
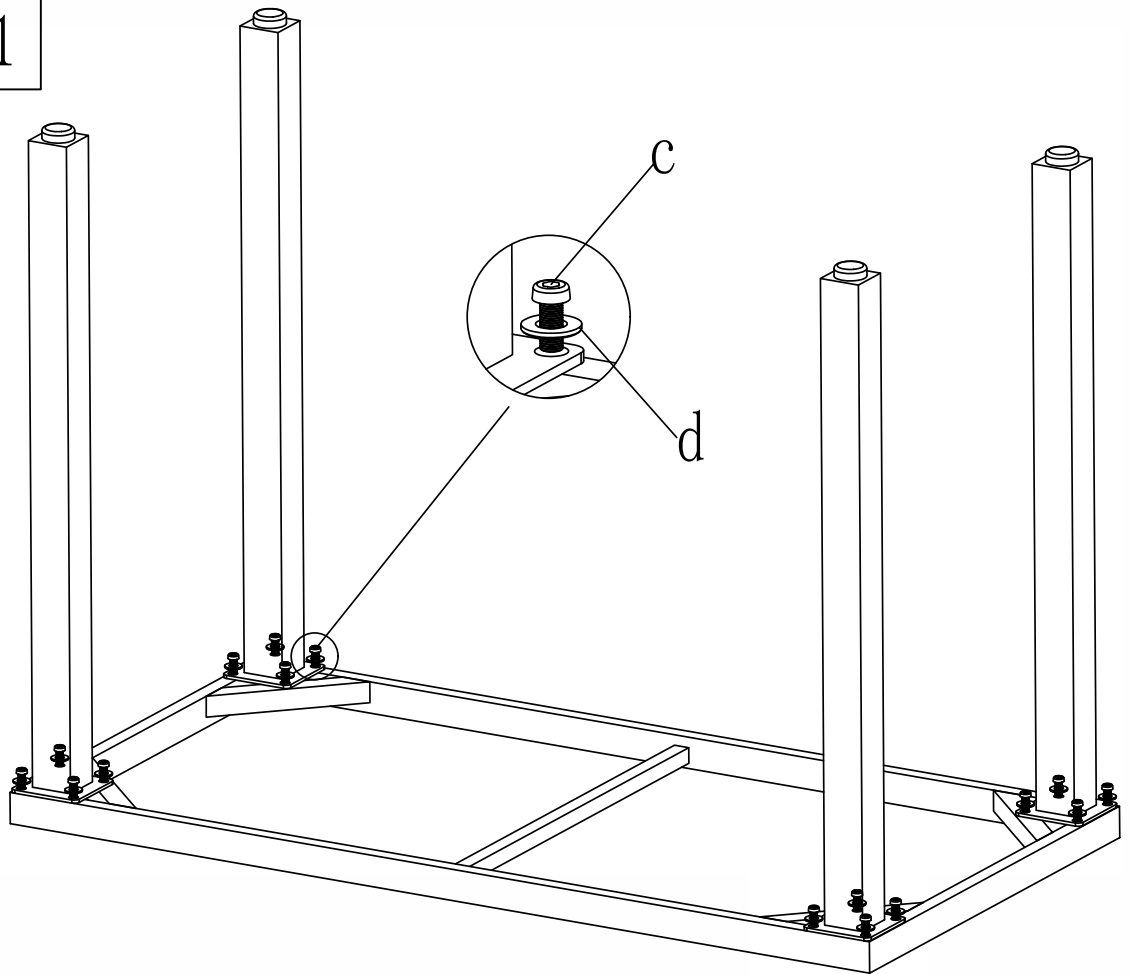


E			1
F			4
G			1

c		M6*15MM	16
d		M6	16
e		M6	1

STEP 1

- E*1
- F*4
- c*16
- d*16



Do Not Tighten The Screws Completely .

STEP 2

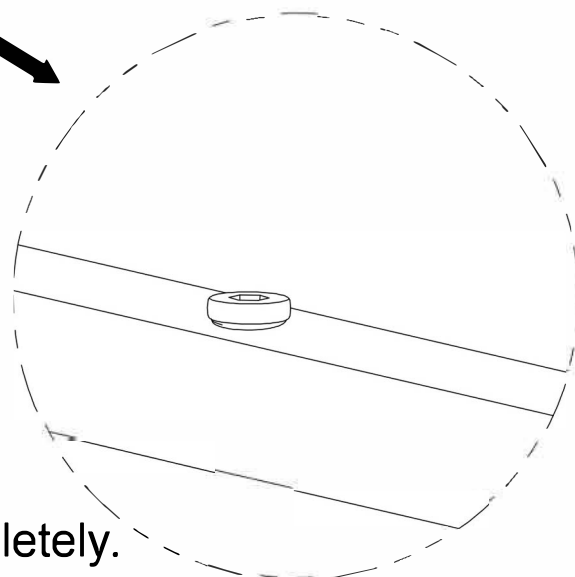
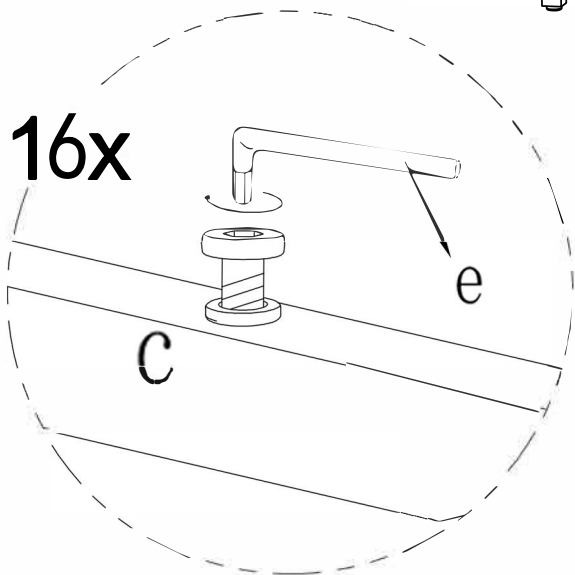
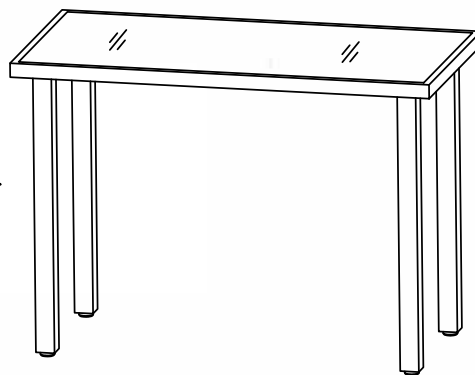
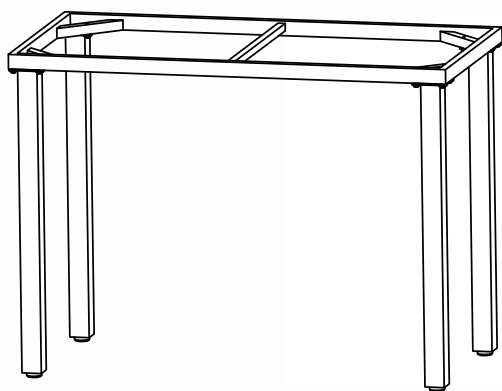
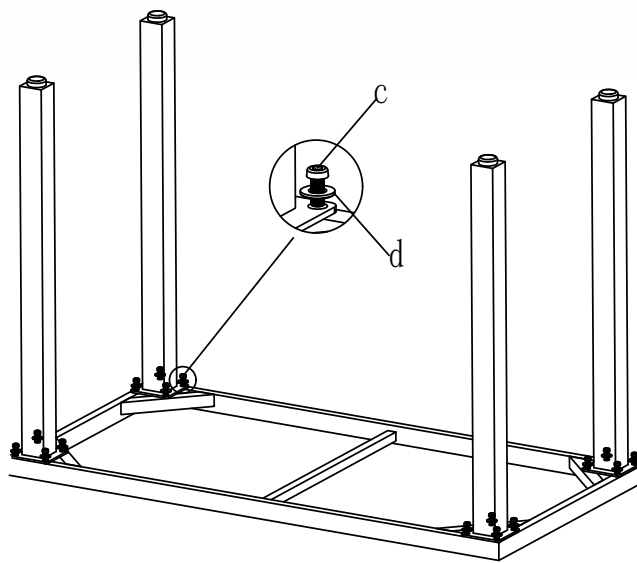
E*1

F*4

c*16

d*16

G*1



Do Not Tighten The Ccrews Completely.