

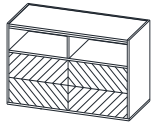
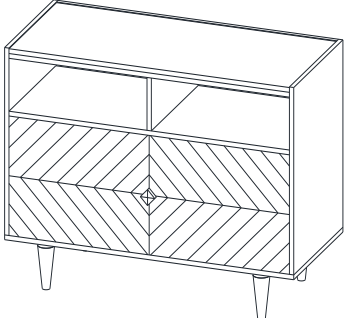
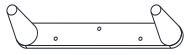




CARE AND MAINTENANCE

Spot clean using a mild water-free solvent. Only a professional cleaner should undertake a complete overall cleaning.
The use of steam or water-based cleaners may cause excessive shrinking or staining.

NOTICE

* Please make sure that you have all parts indicated before you begin assembly of this item
* This item should be assembled on a soft surface to prevent scratching the finish during assembly
* This item may require periodic tightening

Part List and Hardware List

| PIECE | DESCRIPTION | PICTURE | QUANTITY | |
|-------|--------------------|-----------------------------------------------------------------------------------|----------|-------------------------------------------------------------------------------------------------------------------------------------------------------------------------------------------------------------------------------------------------------------------|
| A | Cabinet |  | 1X | Product dimensions: 39.37"W* 17.71"D*  Weight Capacity: 55lbs WARNING : DO NOT STAND ON CHEST WARNING : DO NOT OVER TORQUE BOLTS/SCREWS |
| B | Leg |  | 2X | |
| C | Marble |  | 1X | |
| H1 | Allen bolt 25x6 mm |  | 6X | |
| H2 | Flat washer 25 mm |  | 6X | |
| H3 | Allen key 4 mm |  | 1X | |

The legs and hardware are located under the drawer

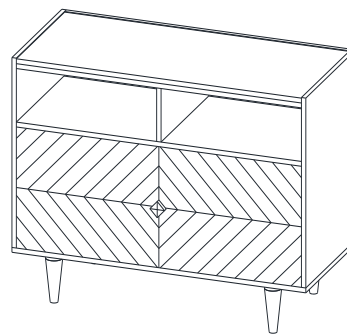
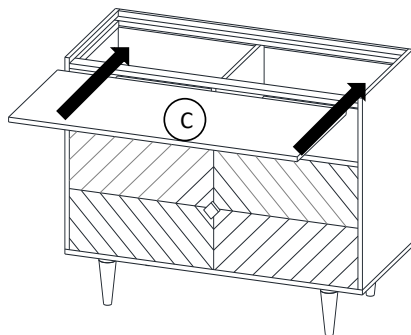
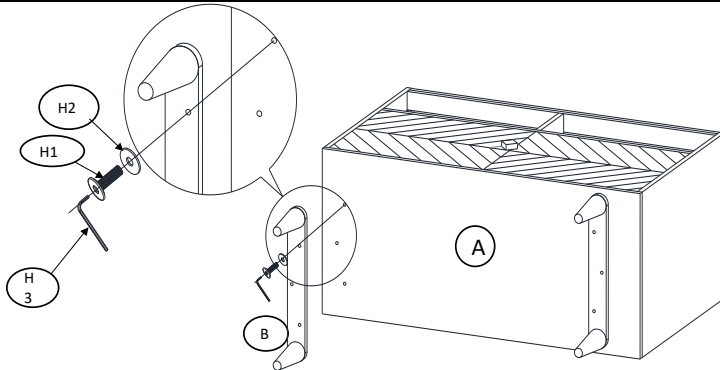
PREPARATION

Before beginning assembly of product, make sure all parts are present. Compare parts with package contents list and hardware contents list.

If any part is missing or damaged, do not attempt to assemble the product.

Estimated Assembly Time: 15 minutes.

Tools Required for Assembly (included): Allen Key



STEP1 OPEN THE ZIPPER ON THE INSIDE OF THE DRAWER AND TAKE OUT LEGS AND HARDWARE

STEP2 PUT THE WASHERS (H2) ON THE ALLEN BOLT (H1) IN THE ORDER SHOWN IN THE PICTURE

STEP3 INSERT ALLEN BOLT WITH WASHER INTO THE BOTTOM PANEL HOLE AS SHOWN AND TIGHTEN WITH ALLEN KEY(H3).

STEP 4 PLACE THE MARBLE (C) GENTLY AS SHOWN

The legs and hardware are located under the drawer

Safety Strap Attachment

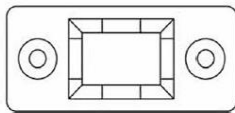
1. Mark the location of the hole on the wall using bracket (A) approx 1" below the top of furniture. Predrill the holes at marked location & insert wall **plug** (E). Align bracket (A) onto wall **plug** (E) & secure using long screws (C).

2. Move the furniture to its final position against the wall and mark the location of the wall bracket on the back of the furniture. The bracket that attaches to the furniture must go into the solid wood piece at the top, not into the thinner back panel. Move the furniture away from the wall and place a bracket (A) on the mark. Mark and drill holes for the screws using a 3/32" drill bit. Attach the bracket to the furniture using the short screws (C).

3. Move the furniture to its final position, and align the bracket on the furniture with the bracket on the wall. Thread the strap (D) through the bracket as shown, and tighten until snug. Do not overtighten.

Important: Check that the wall bracket is firmly screwed into the stud, the furniture bracket is firmly attached to the frame, and the strap is snug.

A 2 x Bracket



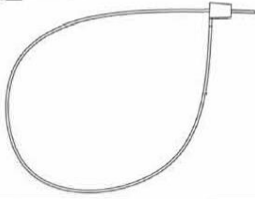
B 2 x Long Screw



C 2 x Short Screw



D Strap



E 2 x Wall plug

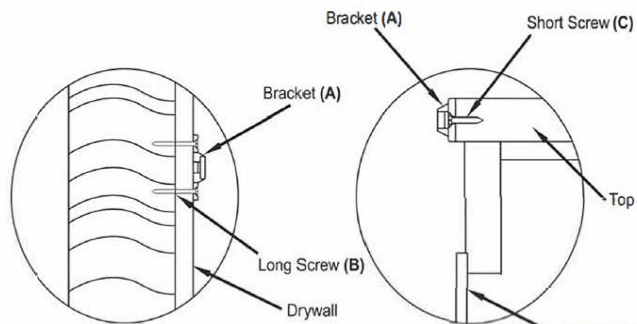


Figure A

Figure B

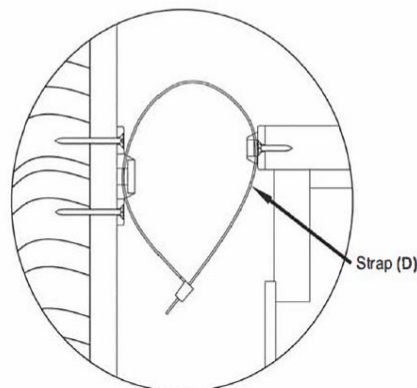


Figure C