



# Briar Rose Caxton®

## Under-mount Bathroom Sink

### K-14218-BR

#### Features

- Vitreous china.
- Under-mount.
- Deep oval basin.
- Without overflow.
- No faucet holes; requires wall- or counter-mount faucet.
- KOHLER Artist Editions designs.
- Briar Rose design.
- 17" (432 mm) x 14" (356 mm)

#### Recommended Accessories

K-9018 P-Trap

#### Components

Additional included component/s: Basin clamp assembly.



ADA

#### Codes/Standards

ASME A112.19.2/CSA B45.1

ADA

ICC/ANSI A117.1


#### KOHLER® One-Year Limited Warranty

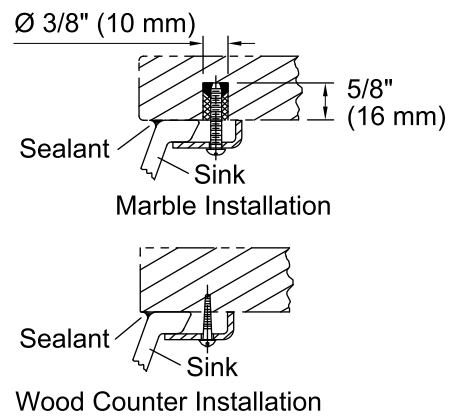
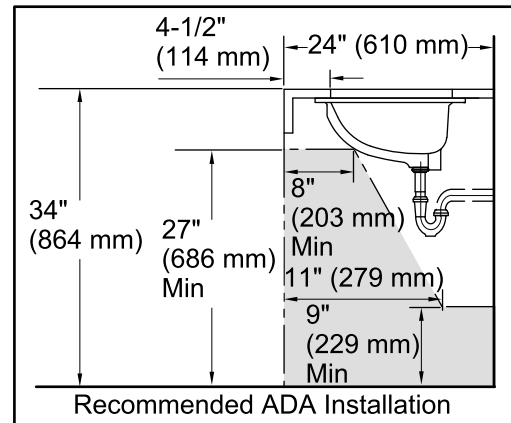
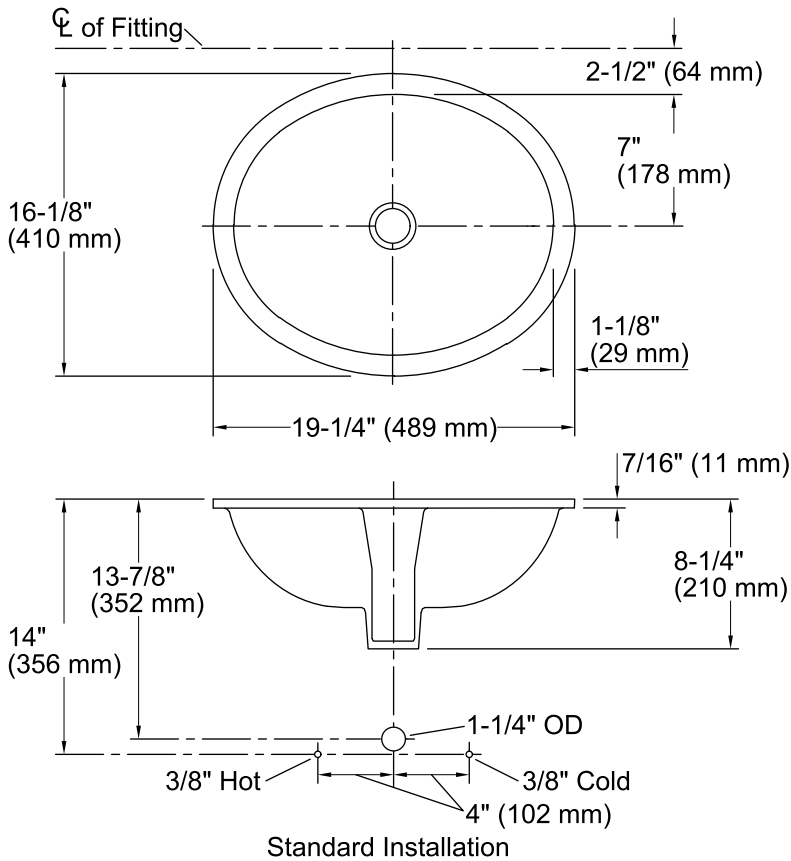
See website for detailed warranty information.

#### Available Color/Finishes

*Color tiles intended for reference only.*

Color	Code	Description
-------	------	-------------

	96	Biscuit
--	----	---------



### Technical Information

All product dimensions are nominal.

Bowl configuration: Single

Installation: Under-mount

Bowl area (Only) Length: 17" (432 mm)

Width: 14" (356 mm)

Water depth: 6-3/8" (162 mm)

Drain hole: 1-3/4" (44 mm)

Template: Under-mount, 1151011-7, required, included

### Notes

Install this product according to the installation guide.

**NOTICE:** Countertop manufacturer or cutter must use the current product template available at [www.kohler.com](http://www.kohler.com), or by calling 1-800-4KOHLER. Kohler Co. is not responsible for cutout errors when the incorrect cutout template is used.

ADA compliant when installed to the specific requirements of these regulations.