



Lancaster Trellis

Assembly Instruction Manual

Please read instructions thoroughly before beginning assembly.

Check boxes carefully for contents listed. Some parts are packaged inside of others.

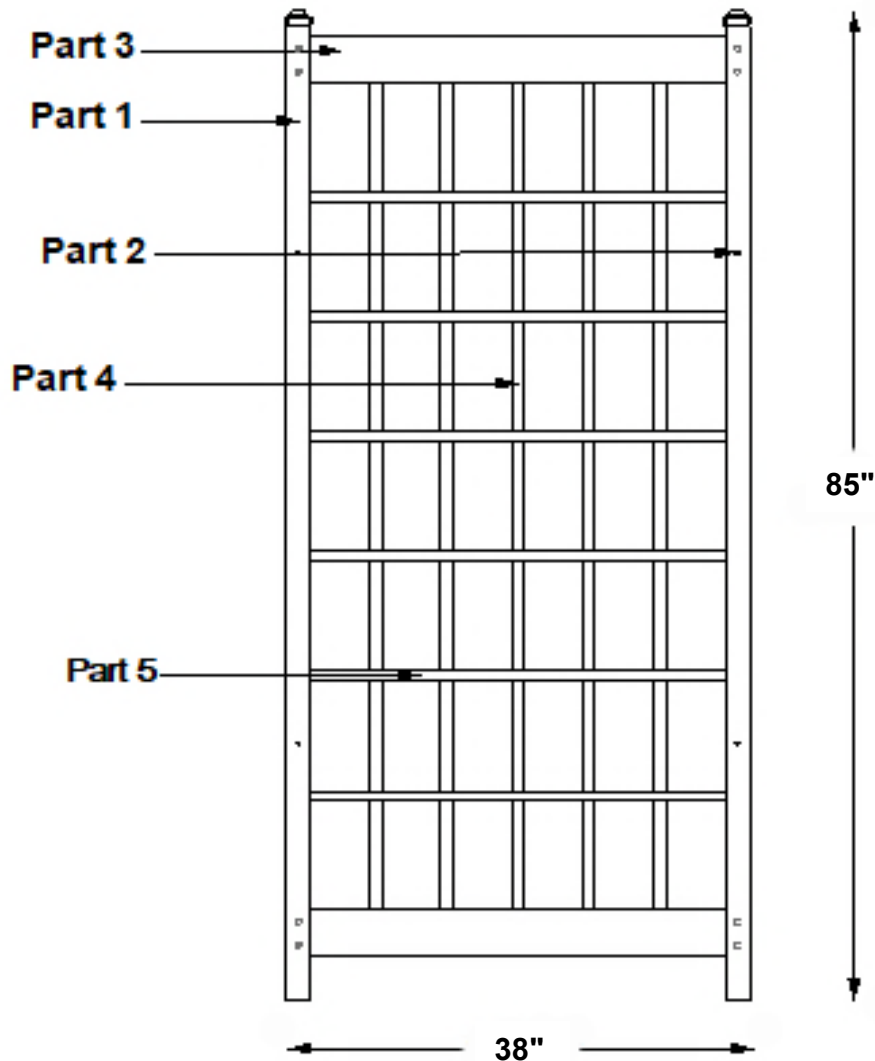
Assemble on a clean, flat, non-abrasive surface to prevent scratching.

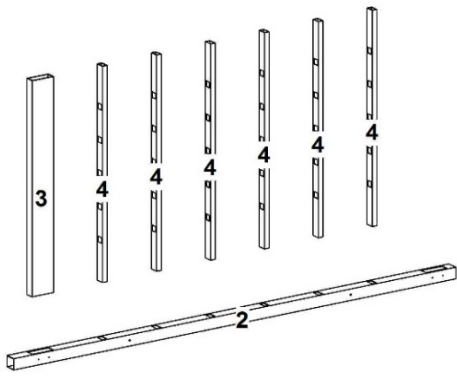
In the event of missing or damaged parts please call or email our customer service department at the contact info below.

Tools Required

- Battery or Electric Drill (#2 phillips bit)
- Tape Measure
- Hammer or Rubber Mallet (Recommended)
- Shovel or Post Hole Digger (Recommended)
- PVC, Super or Crazy Glue

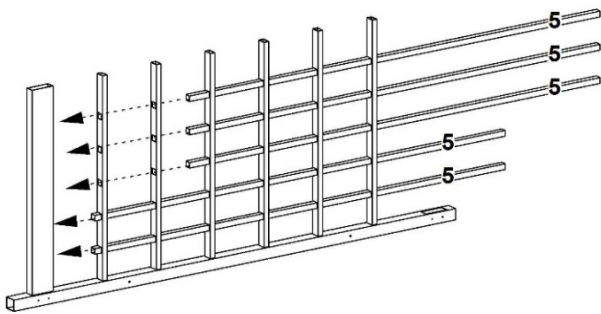
Part #	Description	Dimension	Box #	Qty
1	Left Post	2" sq. x 84"	1	1
2	Right Post	2" sq. x 84"	1	1
3	Top/Bottom Cross Rail	$\frac{7}{8}$ " x 1 $\frac{1}{2}$ " x 35"	1	2
4	Center Cross Rail	$\frac{7}{8}$ " x 1 $\frac{1}{2}$ " x 35"	1	6
5	Vertical Rail	$\frac{1}{4}$ " x 1 $\frac{1}{2}$ " x 56 $\frac{3}{4}$ "	1	5
6	Hardware Bag (Includes):		1	1
	▪ Spacer Tube	$\frac{3}{4}$ " x 2 $\frac{1}{2}$ "		4
	▪ Post Cap	2" square		2
	▪ Painted Screw	$\frac{3}{4}$ "		8
	▪ Screw	#10 – 6"		4
	▪ Screw Cap	#10		4
	▪ Screw Backer	#10		4





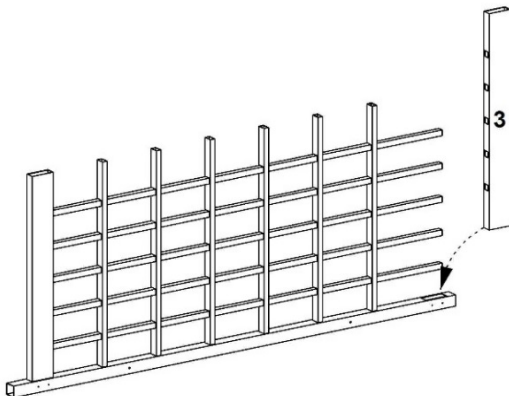
1

Lay out one right post (part 2). Starting at bottom, insert 1 - top/bottom cross rail (part 3) and center cross rails (part 4).



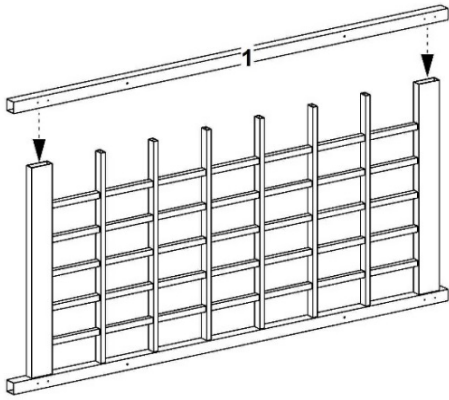
2

Slide vertical rails (part 5) through center rails and into bottom rail.



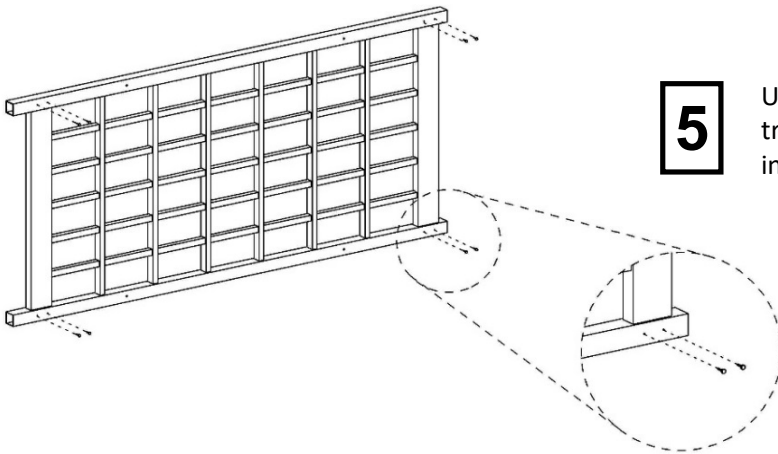
3

Insert remaining top/bottom cross rail (part 3) into right post and each vertical rail into top cross rail.



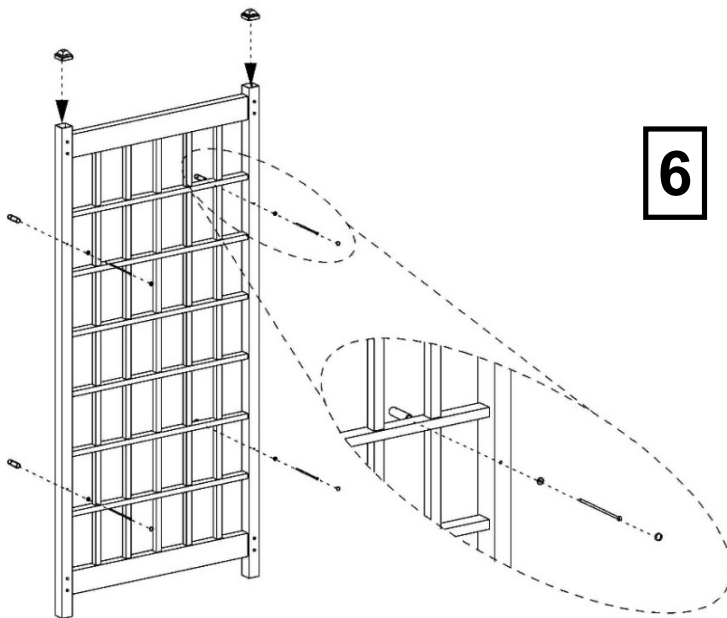
4

Slide left post (part 1) over corresponding support and cross rails.



5

Using $\frac{3}{4}$ " painted screws, screw together the trellis. Be sure that all parts are fully inserted into the posts before securing.



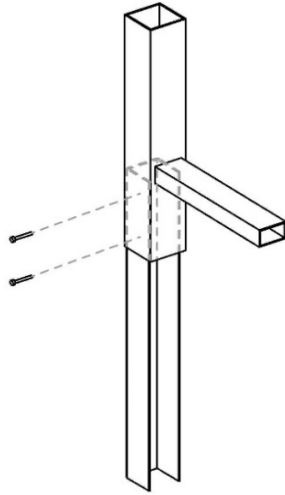
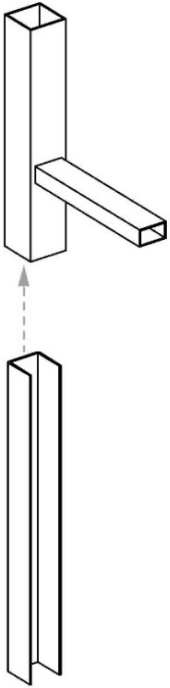
6

Using PVC, crazy or super glue, glue post caps onto posts.

To secure to the wall, slide the 6" screw through clear screw backer. Insert screw through pre-drilled hole in post. To set trellis away from the wall, slide screw through the spacer tube. After securing, snap screw cover over screw backer.

(NOTE: The wall mounting screws included will not fasten to stone, brick or concrete walls.)

Ground Anchor Installation



Option 1 (soft ground)

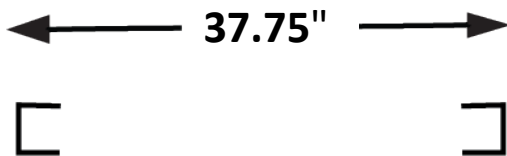
Slide one ground anchor (part 12) into bottom of each post until it meets bottom cross rail. Using two 1" self-tapping screws per post, screw the post to ground anchor using the pilot holes for guides.

Using ground anchor installation layout drawing, dig holes approximately 12" deep. Set trellis in holes and level. Back fill with soil removed from holes.

Option 2 (permanent installation)

NOTE: There is very little room for error with this installation method.

Ground Anchor Layout Drawing



Using ground anchor installation layout drawing, dig holes 12" deep according to dimensions. Fill with cement and place ground anchors in wet cement. Be sure that ground anchors are straight and in accordance with dimension of ground anchor installation layout drawing. Allow cement to dry.

Slide trellis over ground anchors. Using two 1" self-tapping screws, fasten post to ground anchor.

Warranty Statement

20 Year Guarantee

The products are warranted to be free from manufacturing defects resulting in delaminating, peeling, flaking, corroding, cracking, crazing, or extreme amounts of fading or bleaching causing the PVC to change to its natural color for a period of 20 years from the date of purchase.

Normal weathering is defined as exposure to sunlight and extremes of weather and atmosphere which will cause any colored surface to gradually fade.

CONDITIONS NOT COVERED BY THIS WARRANTY:

- A. Physical abuse, misuse, neglect, or improper storage.
- B. Improper installation or installation not in strict adherence to the instructions written Inc.
- C. This warranty does not apply if materials are painted, varnished, or coated with any substance.
- D. is not responsible for damages to product during shipping.
- E. Damage attributable to atmospheric pollutants, hail, lightning, hurricane, tornado, wind borne objects, earthquake, fire, mildew, casualty, act of God, building or ground settlement, or subjection to stress or weight.