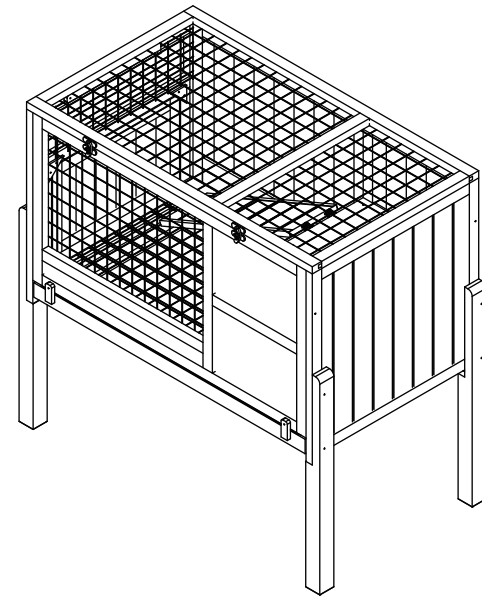


ASSEMBLY INSTRUCTIONS

PLEASE RETAIN THESE INSTRUCTIONS FOR FUTURE USE



TIME ASSEMBLE : 30-40 minutes



NUMBER OF PERSON: 2

Greeting!
So here I am

your new pet house

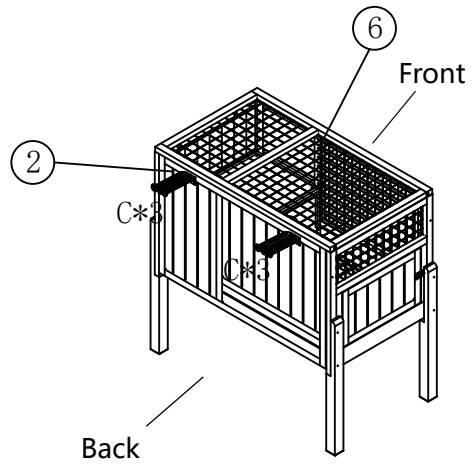
- ▶ Thanks for letting me be a home for your furry friend(s).
- ▶ They'll be cozy and protected from the weather when they're with me.
- ▶ Just remember to take care of me too, so I can last a long time.
- ▶ When you first get me, you might smell a funny smell. Don't worry, it's not dangerous.
- ▶ Just let me air out for a few days and the smell will go away.
- ▶ Be careful when you're putting me together because some of my parts can be sharp or heavy.
- ▶ Make sure to start by loosely putting in screws, and then tighten them all before using me.
- ▶ If you notice anything broken or missing, stop using me until it's fixed, and please follow the instructions from the maker so your warranty stays good.
- ▶ You can use me both inside and outside, but if you put me outside, make sure to give me an extra cover to keep me from getting moldy.
- ▶ I like to be on a level surface so my doors work smoothly.
- ▶ Keep me away from fire and dangerous chemicals.
- ▶ Clean me with a damp, soapy sponge without corrosive agents.
- ▶ Dry me with a soft, clean, dry cloth.
- ▶ Do not use a high pressure cleaner on me.
- ▶ Do not use bleach, acids, solvents, or abrasive cleaners on me.
- ▶ Check that all my bolts, screws, and knobs are tight every 90 days.



HELP CENTER

- ▶ Your full satisfaction is our **FIRST** priority
- ▶ We hope you enjoy it and have a good shopping experience.
- ▶ We are committed to resolve any situation when it does not meet your expectations.
- ▶ Please feel free to contact us through order detail page, we will get back to you and solve them within 24 hours.

C M3.0*16 6PCS

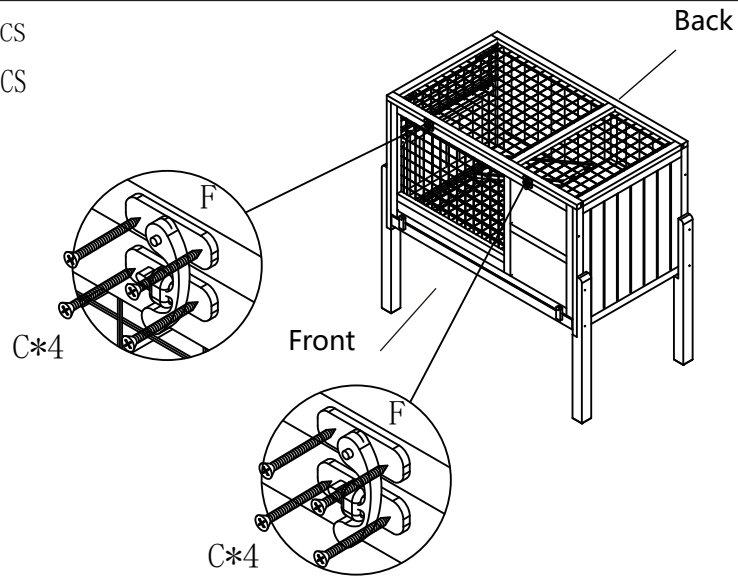


Fix ⑥ Roof on ② Back panel with screws.

STEP 11

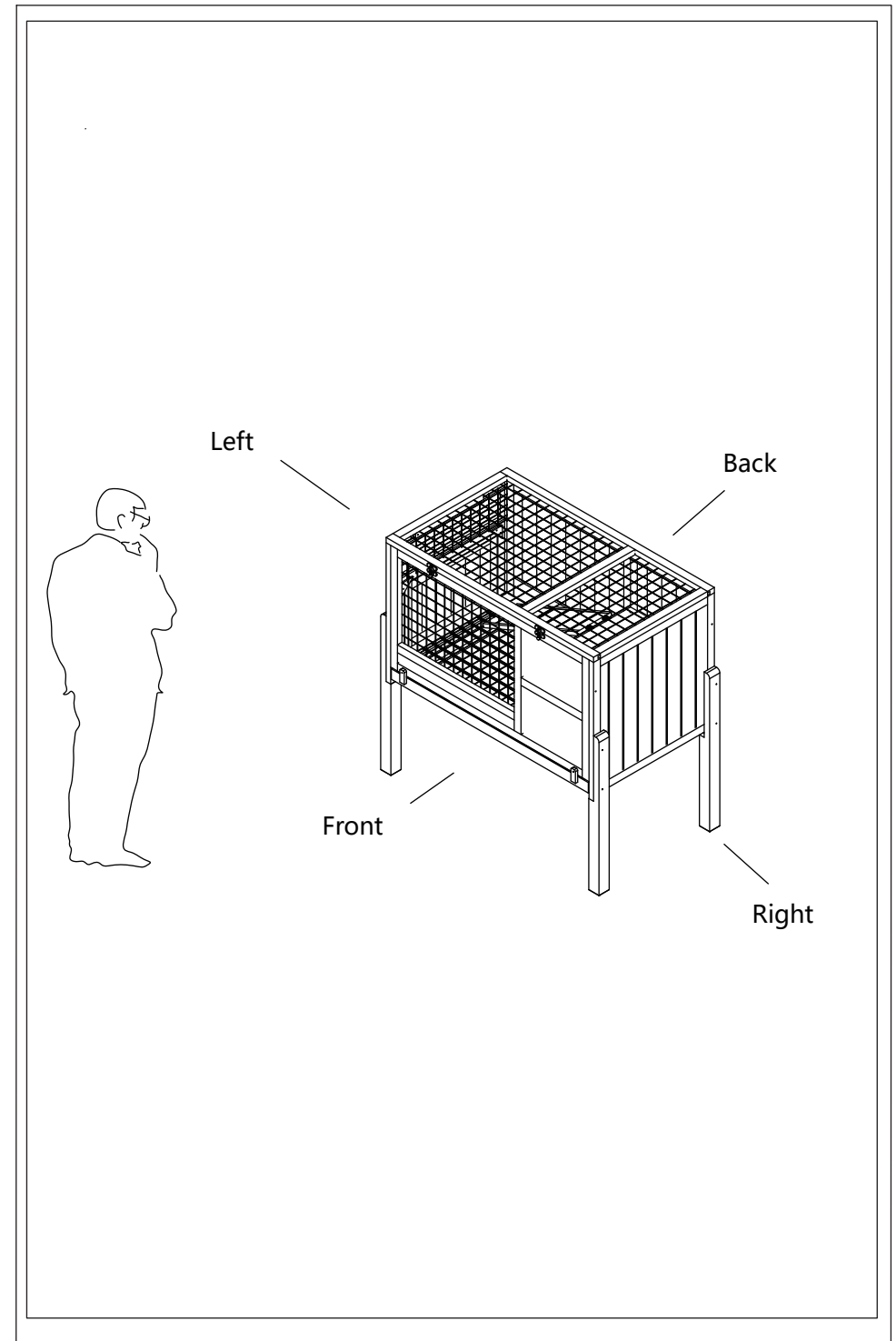
C M3.0*16 8PCS

F  2PCS


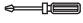


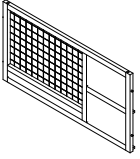
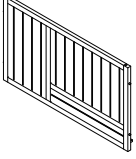
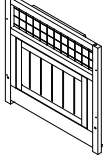
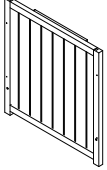
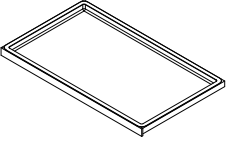
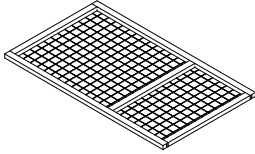
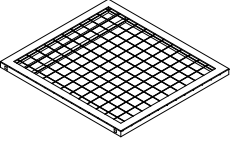
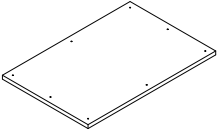
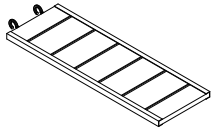
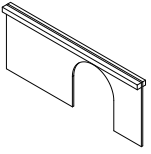
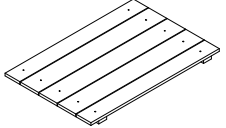
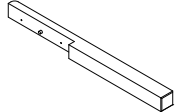
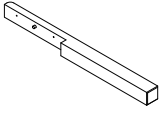
Fix (F)*2 Bolts with screws.

STEP 12

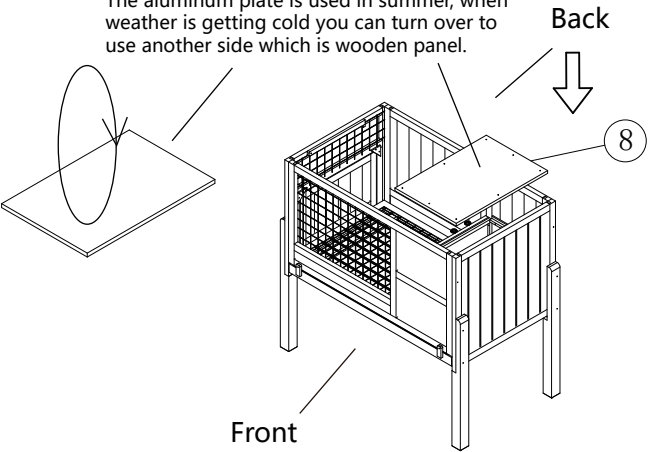


ASSEMBLY INSTRUCTION

Tool Required:  Electric Drill  Phillips Screwdriver

		
① Front panel	② Back panel	③ Left panel
		
④ Right panel	⑤ Tray	⑥ Roof
		
⑦ Net board	⑧ Layer board	⑨ Ramp
		
⑩ Partition panel	⑪ Bottom panel	⑫ *2 Leg
		
⑬ *2 Leg		

The aluminum plate is used in summer, when weather is getting cold you can turn over to use another side which is wooden panel.



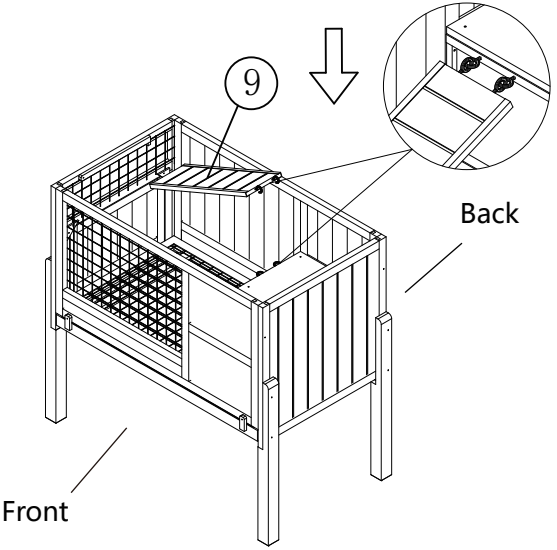
Back

8

Front

Put in ⑧ Layer board.

STEP 9



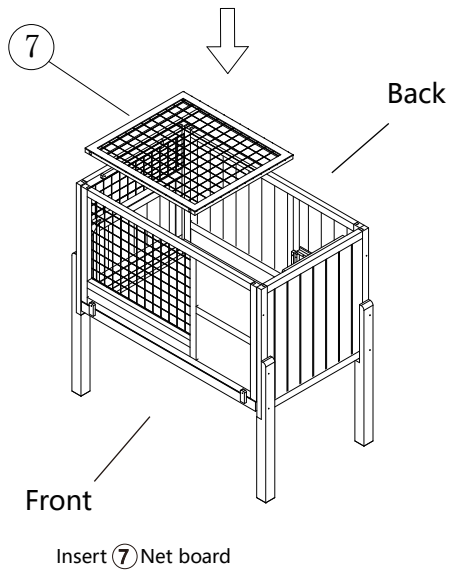
9

Back


Front

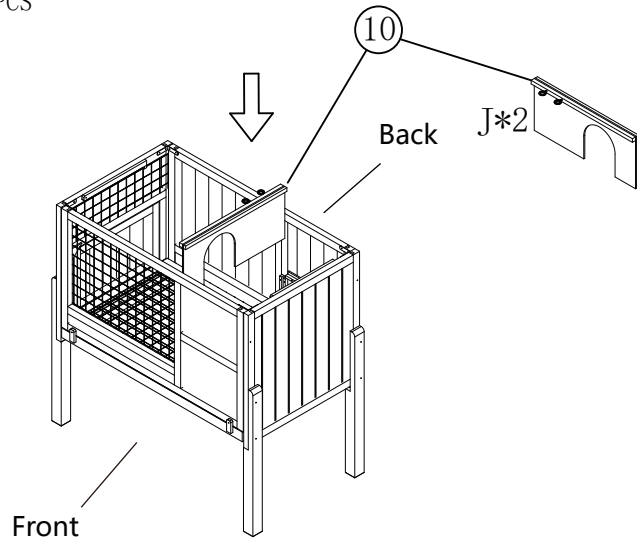
Put in ⑨ Ramp

STEP 10



STEP 7

J  2PCS







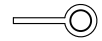



STEP 8

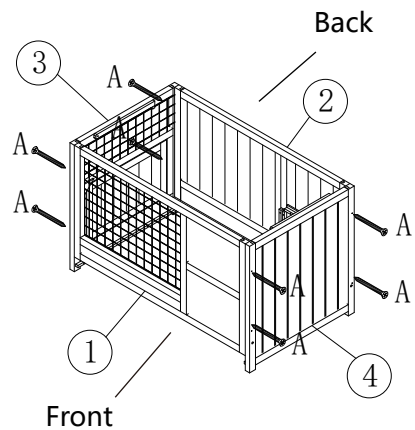
ASSEMBLY INSTRUCTION

Tool Required:  Electric Drill  Phillips Screwdriver

Parts Description

	A M4*40	16PCS+1
	B M3.0*25	2PCS+1
	C M3.0*16	34PCS+1
	D	2PCS
	E	1PC
	F	2PCS
	J	2PCS
	H	4PCS

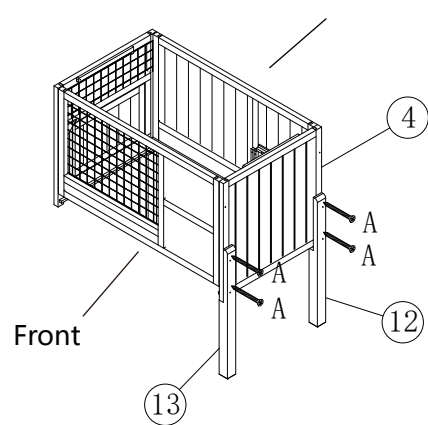
A M4*40 8PCS



Attach ① Front panel,
② Back panel, ③ Left panel,
④ Right panel with screws.

STEP 1

A M4*40 4PCS



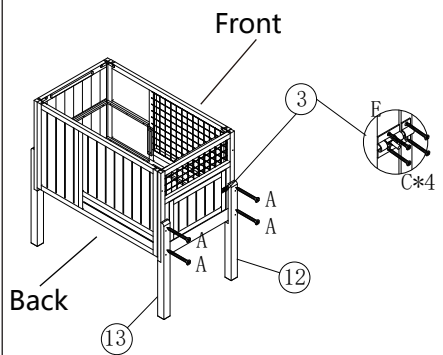
Fix ⑫ Leg, ⑬ Leg on
④ Right panel with screws.

STEP 2

A M4*40 4PCS

C M3.0*16 4PCS

E  1PC

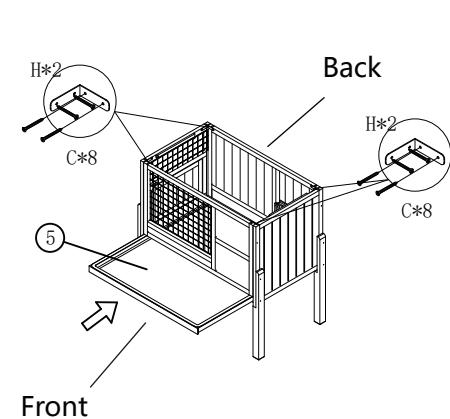


Fix ⑫ Leg, ⑬ Leg on
③ Left panel with screws.
Fix (E) Bolt on ③ with screws.

STEP 3

C M3.0*16 16PCS

H  4PCS

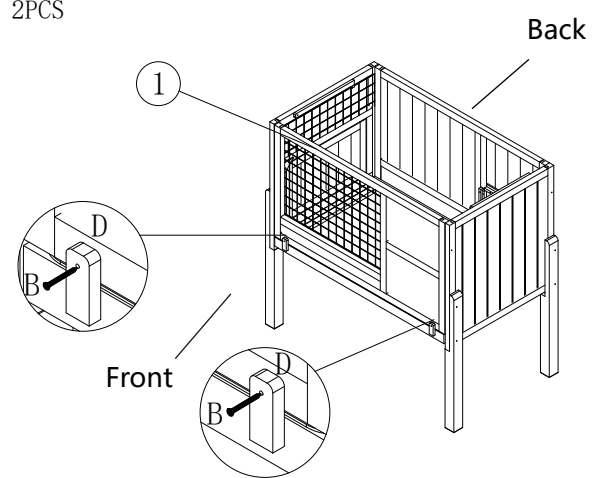


Fix (H)*4 Angel iron with screws,
Insert ⑤ Tray.

STEP 4

B M3.0*25 2PCS

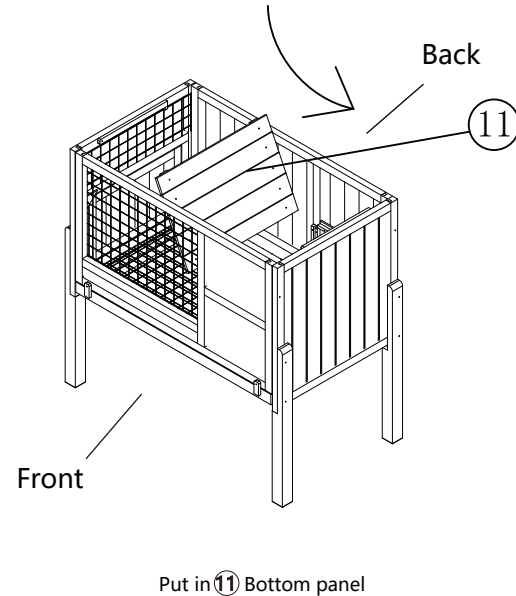
D  2PCS



Fix (D)*2 Wooden knob on ① Front panel with screws.

STEP 5

Please put it down slantly.



Put in ⑪ Bottom panel

STEP 6