

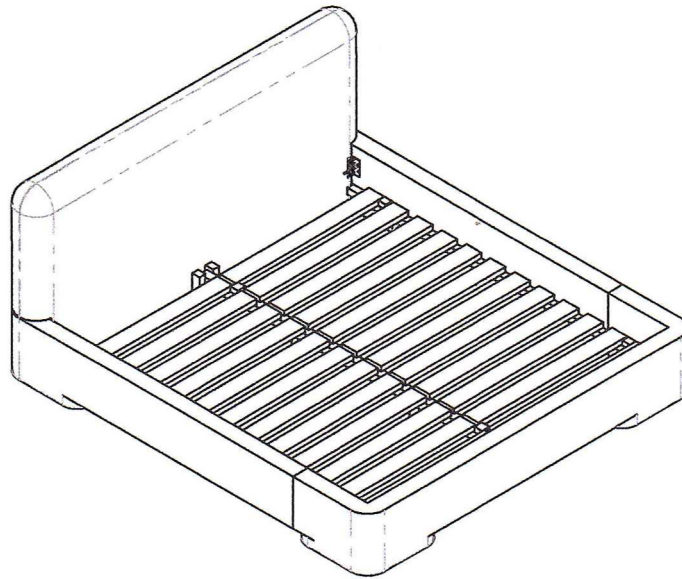
# MOE'S

home collection

## **ASSEMBLY INSTRUCTIONS.**









CLAUDIA BED QUEEN  NATURAL

ET-1003-24



THANK YOU FOR YOUR PURCHASE!

## PARTS AND HARDWARE.

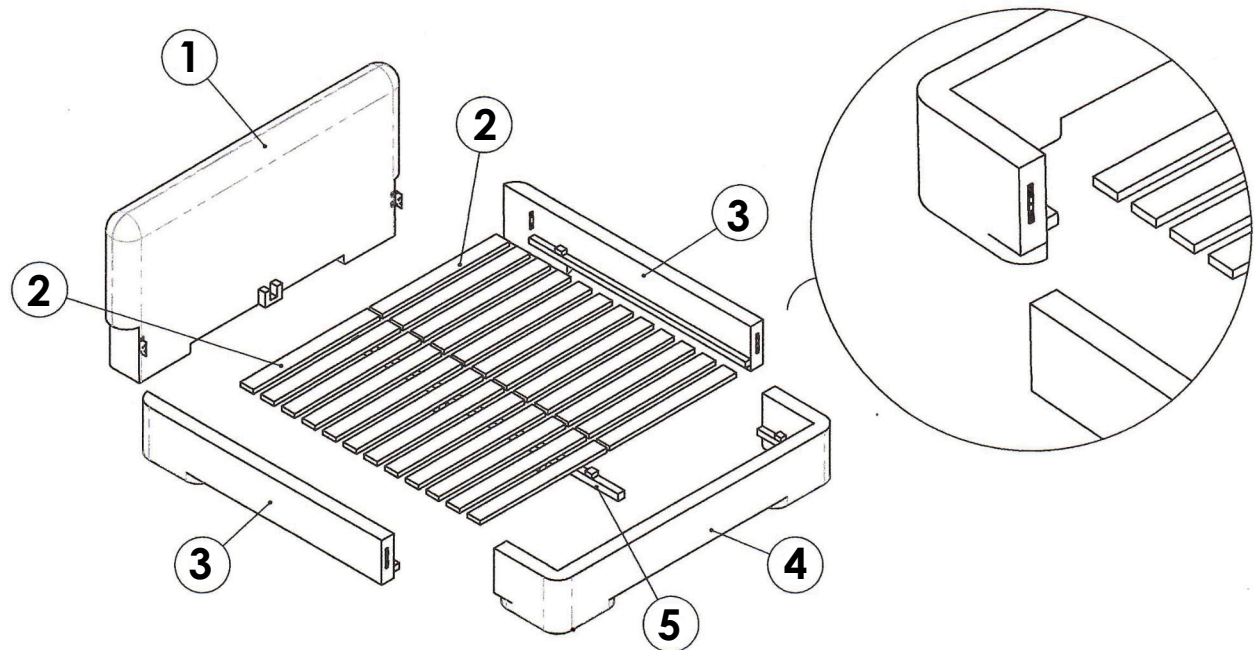
1. HEADBOARD x 1 	A. ALLEN KEY L6 x 1 
2. SLATS x 2 	B. SOCKET BOLT M8x45 mm x 4 
3. SIDERAIL x 2 	C. RING M8 x 4 
4. FOOTBOARD x 1 	
5. CENTER LEG x 1 	

## NOTES.









Thank you for purchasing this quality product! Be sure to check all packing material carefully for small part that may have come loose inside the carton during shipping.

**CAUTION:** The item is heavy, assembly should be performed by four people.

## STEP 1.



## PARTS AND HARDWARE.

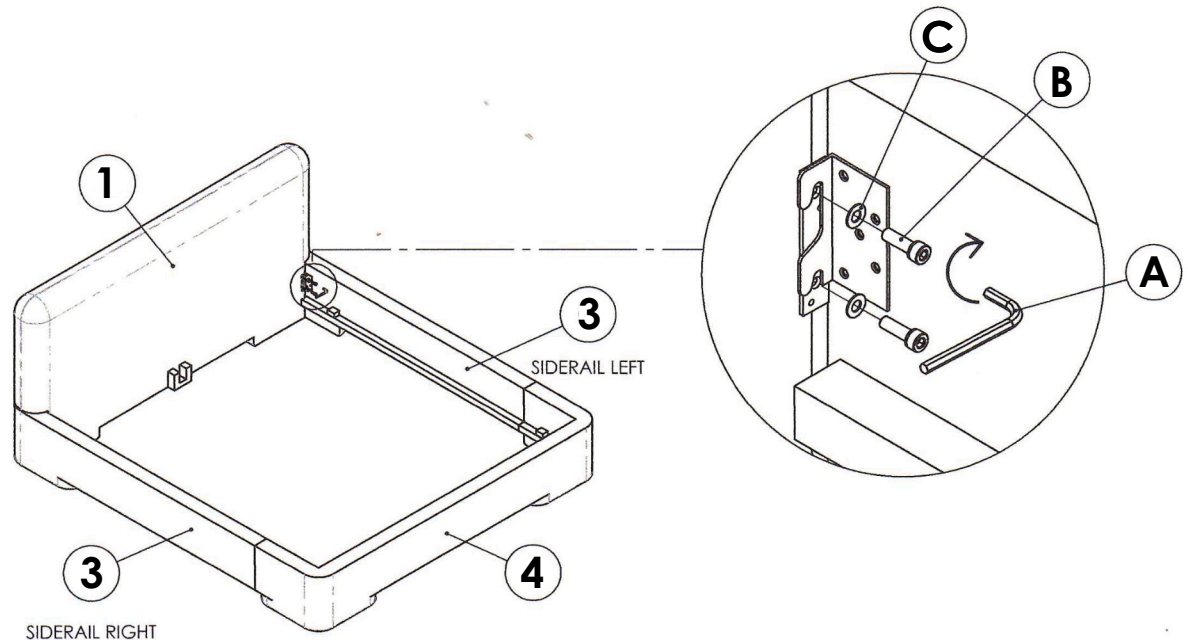
1. HEADBOARD x 1 	A. ALLEN KEY L6 x 1 
2. SLATS x 2 	B. SOCKET BOLT M8x45 mm x 4 
3. SIDERAIL x 2 	C. RING M8 x 4 
4. FOOTBOARD x 1 	
5. CENTER LEG x 1 	

## NOTES.









Thank you for purchasing this quality product! Be sure to check all packing material carefully for small part that may have come loose inside the carton during shipping.

**CAUTION:** The item is heavy, assembly should be performed by four people.

## STEP 2.



## PARTS AND HARDWARE.

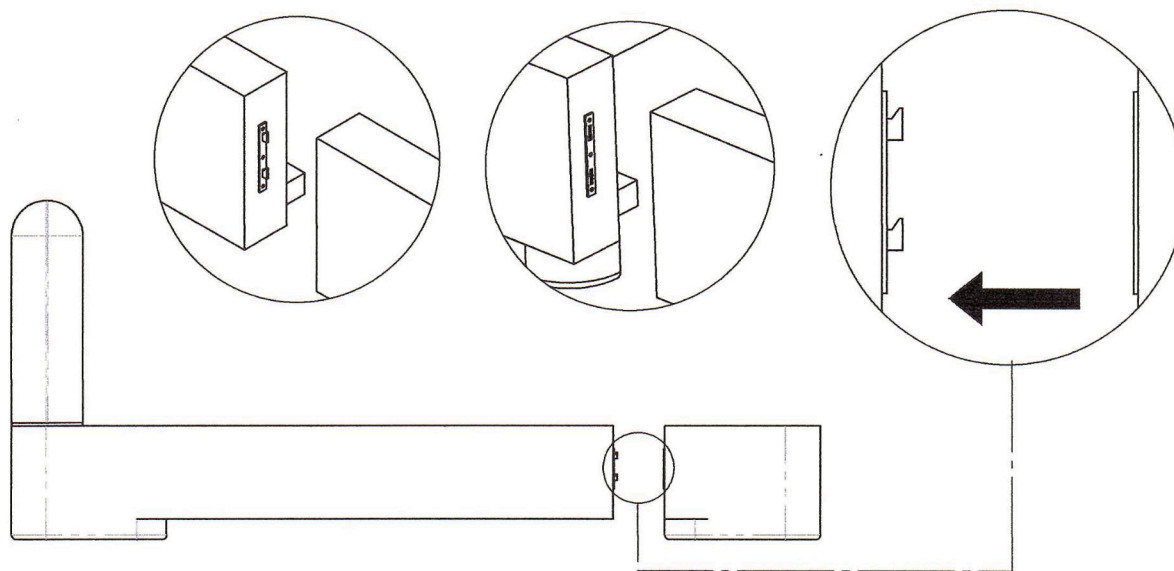
1. HEADBOARD x 1 	A. ALLEN KEY L6 x 1 
2. SLATS x 2 	B. SOCKET BOLT M8x45 mm x 4 
3. SIDERAIL x 2 	C. RING M8 x 4 
4. FOOTBOARD x 1 	
5. CENTER LEG x 1 	

## NOTES.









Thank you for purchasing this quality product! Be sure to check all packing material carefully for small part that may have come loose inside the carton during shipping.

**CAUTION:** The item is heavy, assembly should be performed by four people.

## STEP 3.



## PARTS AND HARDWARE.

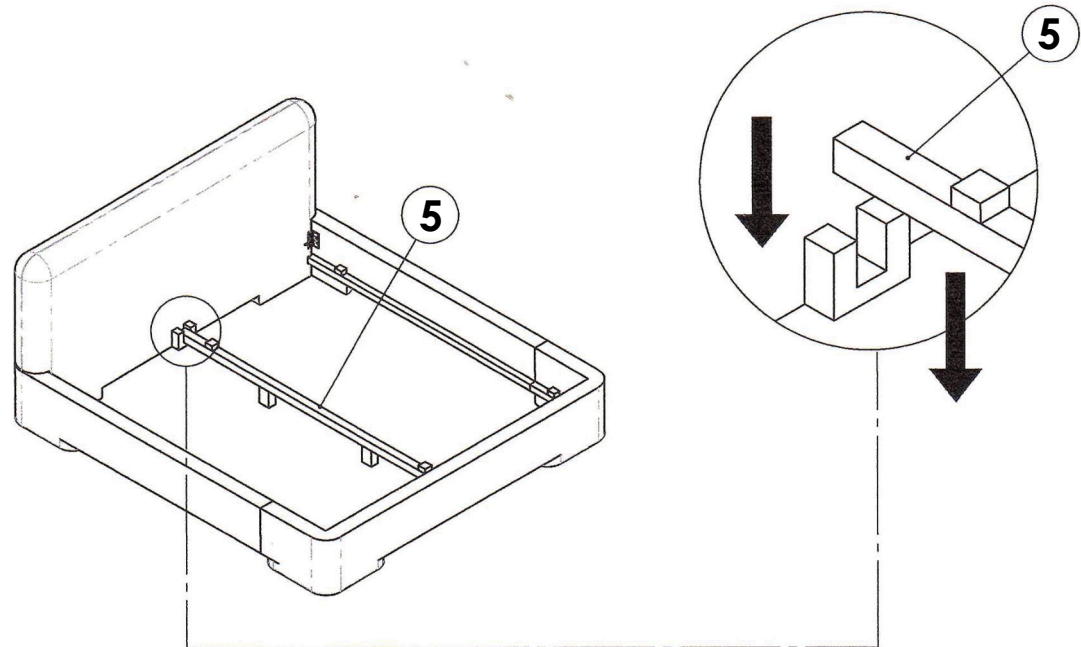
1. HEADBOARD x 1 	A. ALLEN KEY L6 x 1 
2. SLATS x 2 	B. SOCKET BOLT M8x45 mm x 4 
3. SIDERAIL x 2 	C. RING M8 x 4 
4. FOOTBOARD x 1 	
5. CENTER LEG x 1 	

## NOTES.









Thank you for purchasing this quality product! Be sure to check all packing material carefully for small part that may have come loose inside the carton during shipping.

**CAUTION:** The item is heavy, assembly should be performed by four people.

## STEP 4.



## PARTS AND HARDWARE.

1. HEADBOARD x 1 	A. ALLEN KEY L6 x 1 
2. SLATS x 2 	B. SOCKET BOLT M8x45 mm x 4 
3. SIDERAIL x 2 	C. RING M8 x 4 
4. FOOTBOARD x 1 	
5. CENTER LEG x 1 	

## NOTES.

Thank you for purchasing this quality product! Be sure to check all packing material carefully for small part that may have come loose inside the carton during shipping.

**CAUTION:** The item is heavy, assembly should be performed by four people.

## STEP 5.

