

# ASSEMBLY INSTRUCTIONS





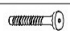



## ITEM # 30002-EX BISTRO EXT PANEL (for BISTRO SPLIT DINING TABLE )

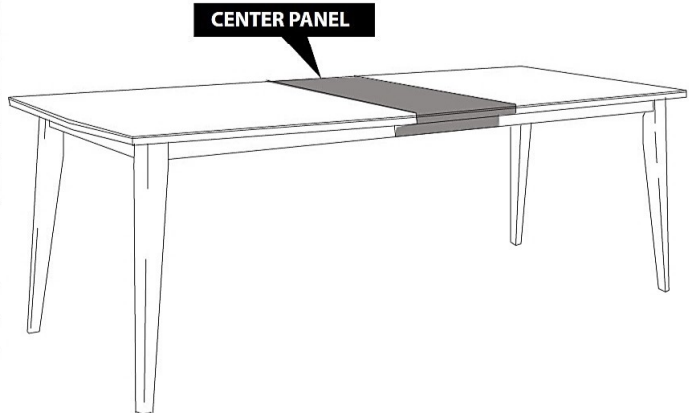
Please read instructions carefully

Remove all wrapping materials, staples and packing straps from the carton. Refer to Parts List and Hardware List and ensure they are complete before you start assembling. Place all wooden parts on a clean, flat and soft surface (e.g carpet or rug) to prevent parts from being scratched.

- CAUTIONS:
- 1) DO NOT FULLY TIGHTEN BOLTS AND NUTS UNTIL ALL PARTS HAVE BEEN ASSEMBLED.
  - 2) DO NOT OVER-TIGHTEN BOLTS AND NUTS UNTIL ALL PARTS HAVE BEEN ASSEMBLED.
  - 3) KEEP ALL HARDWARE PARTS OUT OF REACH CHILDREN.

PARTS LIST		Existing Qty	Optional Qty
P1	TABLE TOP	1	
P2	LEGS	4	
P3	SUB-APRON	2	
P4	SUPPORT BAR	1	
P5	CENTER PANEL		1
P6	APRON of CENTER PANEL		2

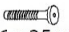


HARDWARE LIST		Existing Qty	Optional Qty
H1	M8 x 60mm JCBC SCREW 	8	
H2	M8 SPRING WASHER 	8	
H3	M8 FLAT WASHER 	8	
H4	M5 ALLEN KEY 	1	
H5	M6 x 35mm JCBC SCREW 	16	12
H6	M6 SPRING WASHER 	12	6
H7	M6 FLAT WASHER 	12	6
H8	M4 ALLEN KEY 	1	1

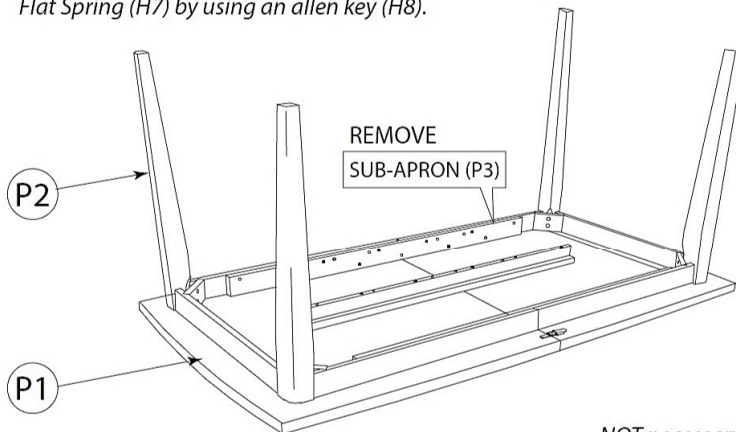


COMPLETE ASSEMBLY

### STEP 1

With a help of 2 or more adult people, carefully put you existing Table upside down on a clean, soft and flat surface. **Remove** the two pieces Sub-Aprons (P3) by unscrew Existing Bolts (H5) together Spring Washer (H6) & Flat Spring (H7) by using an allen key (H8).

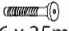


Existing Screw	
H5 x 6	M6 x 35mm
H6 x 6	
H7 x 6	

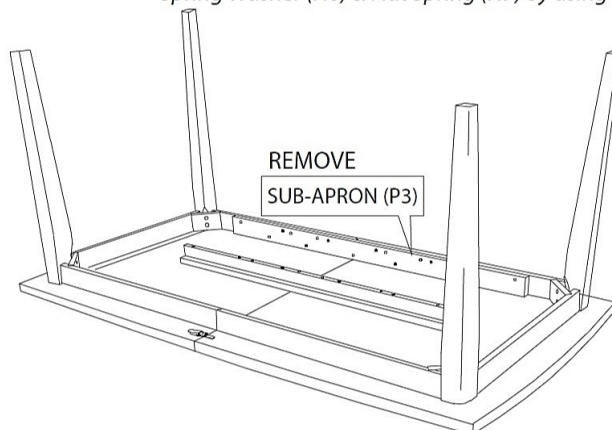


NOT necessary to remove the table legs

### STEP 2

**Remove** the other side of Sub-Aprons (P3) by unscrew Existing Bolts (H5) together Spring Washer (H6) & Flat Spring (H7) by using an allen key (H8).

Existing Screw	
H5 x 6	M6 x 35mm
H6 x 6	
H7 x 6	



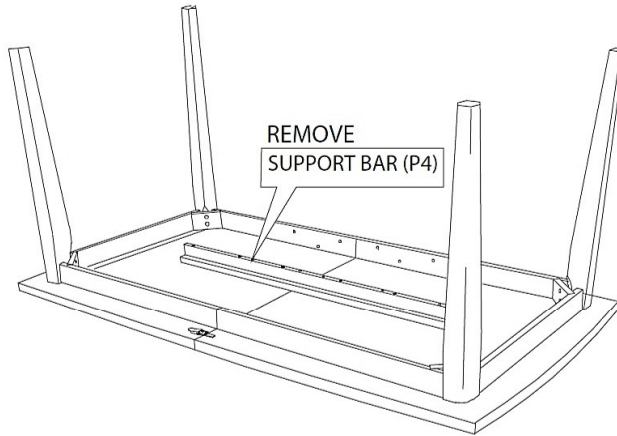
### STEP 3

Existing Screw

H5 x 4

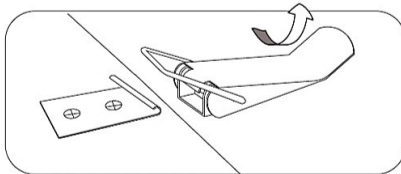
M6 x 35mm

Then, remove the Support Bar (P4)  
by unscrew all the bolts using an allen key.

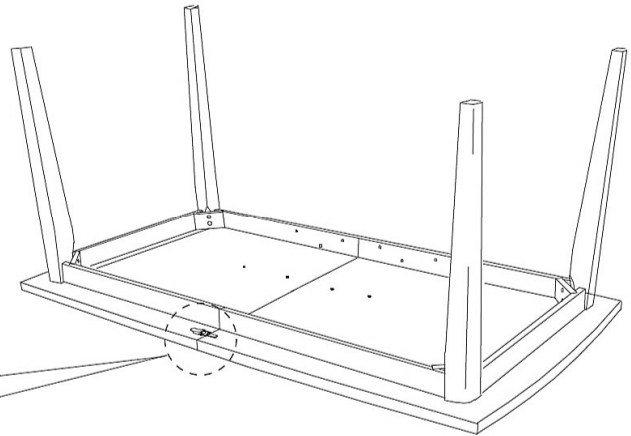


### STEP 4

***Please unlock the latches,***  
*so the table top can be split apart and*  
*be ready to assemble the Center Panel*  
*into the table top.*



unlock all 2 latches

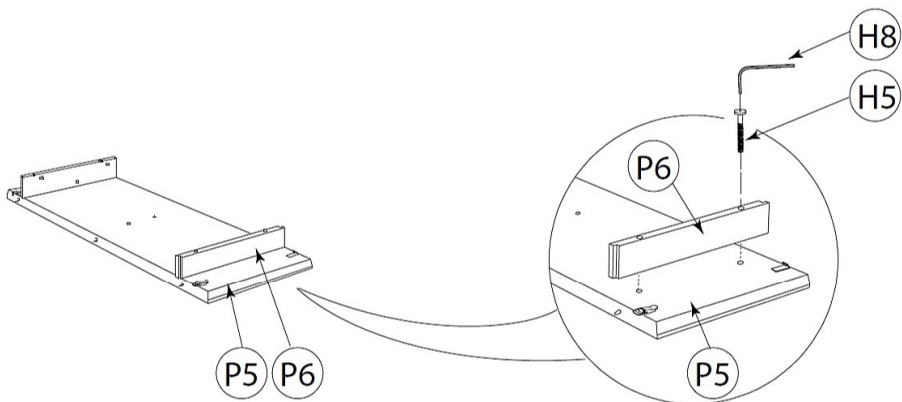


### STEP 5

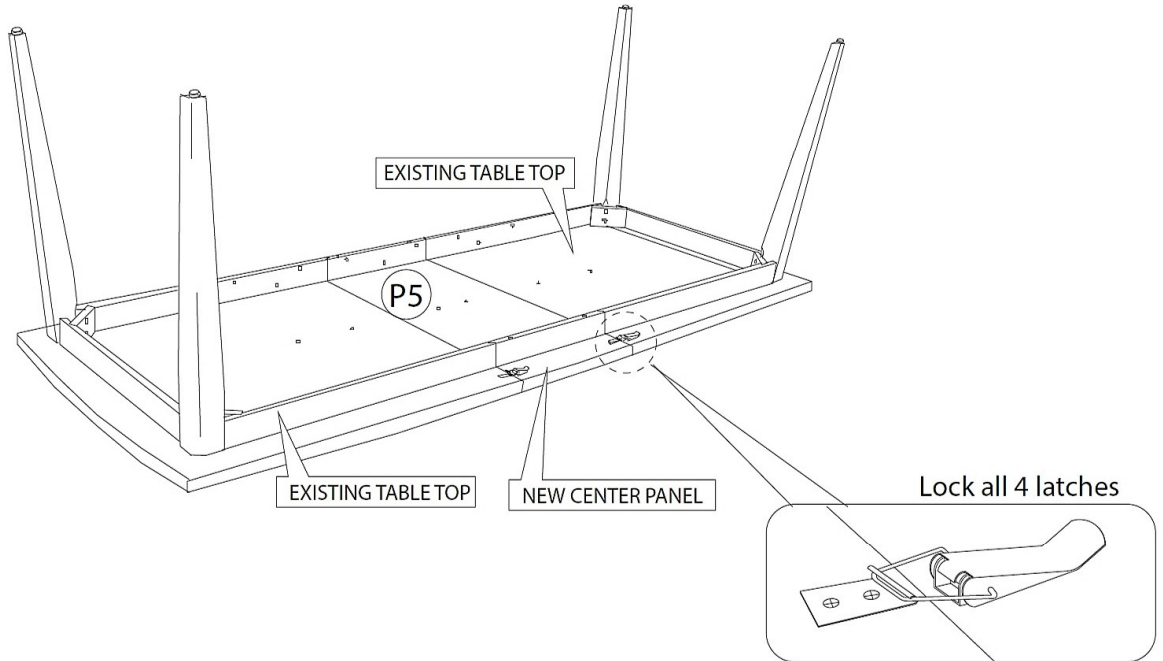
H5 x 4

M6 x 35mm

Assemble both Apron (P6) into the Center Panel (P5) by aligning bolts (H5)  
Tighten the bolt using Allen Key (H8).






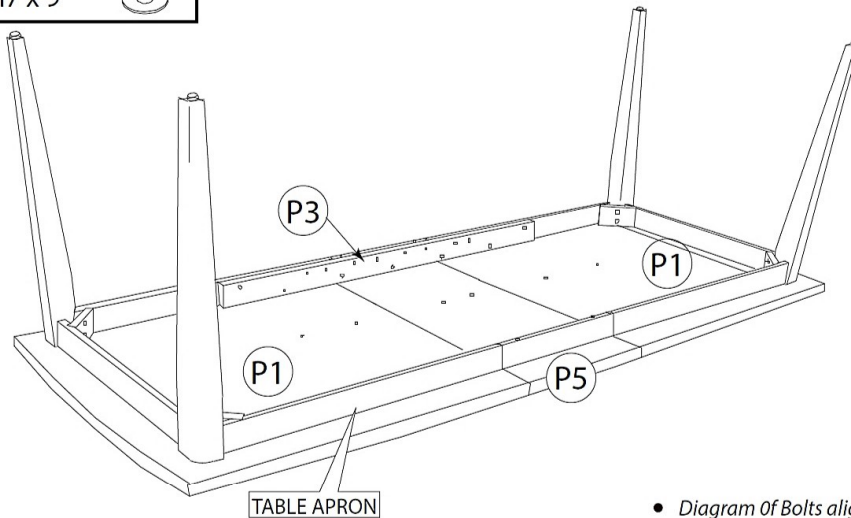
**STEP 6** Attach the Center Panel (P5) between the existing Table tops, and pull the table top tightly before locking the latches.



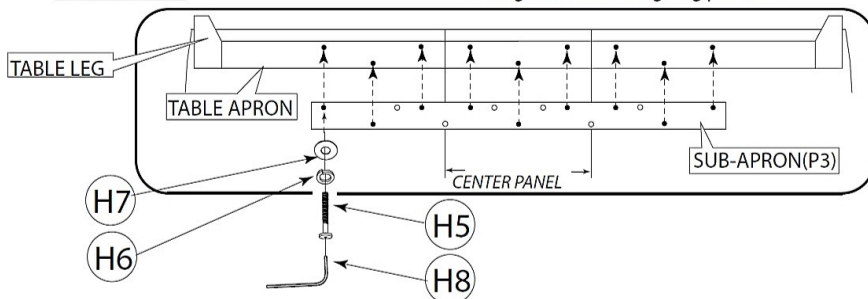
**STEP 7**

Mount the Sub-Aprons (P3) to the Table Aprons: Please see a diagram below showing the position of holes to align the Bolts (H5) together Spring Washer (H6) & Flat Washer (H7) into the nuts in the Table aprons. Tighten all the bolts by using Allen Key (H8).




H5 x 9	
M6 x 35mm	
H6 x 9	
H7 x 9	



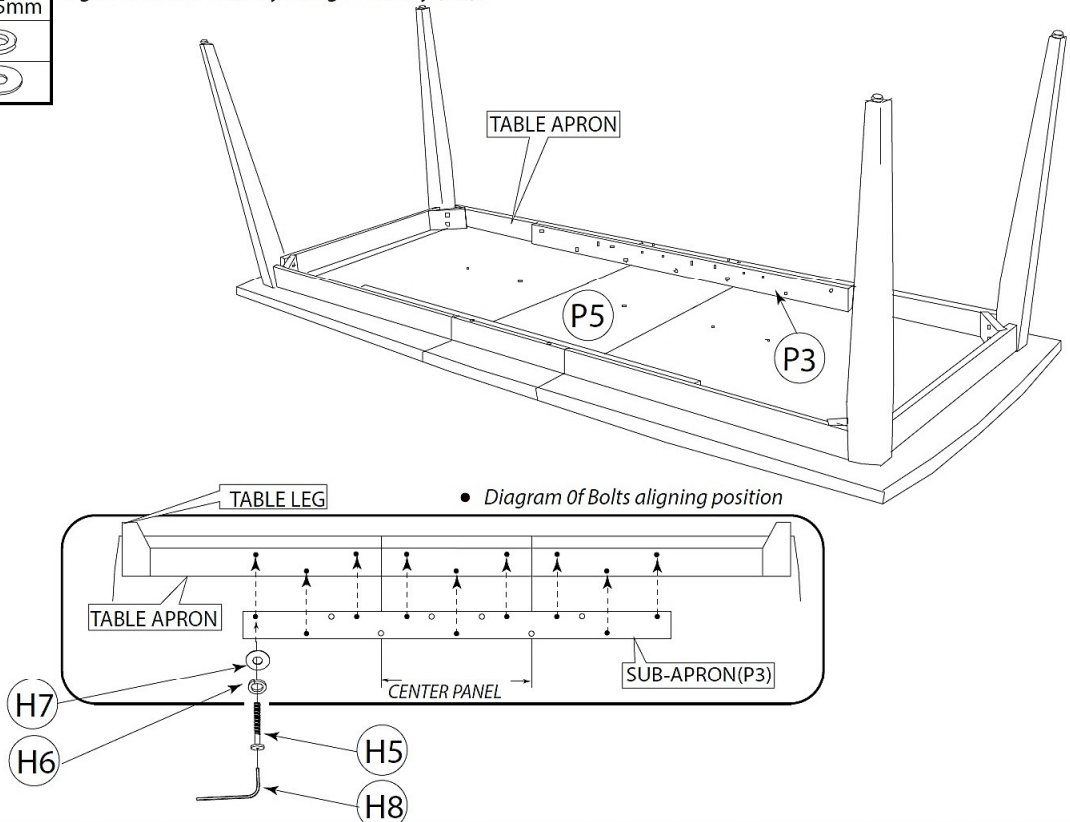
• Diagram Of Bolts aligning position




## STEP 8

H5 x 9	
M6 x 35mm	
H6 x 9	
H7 x 9	

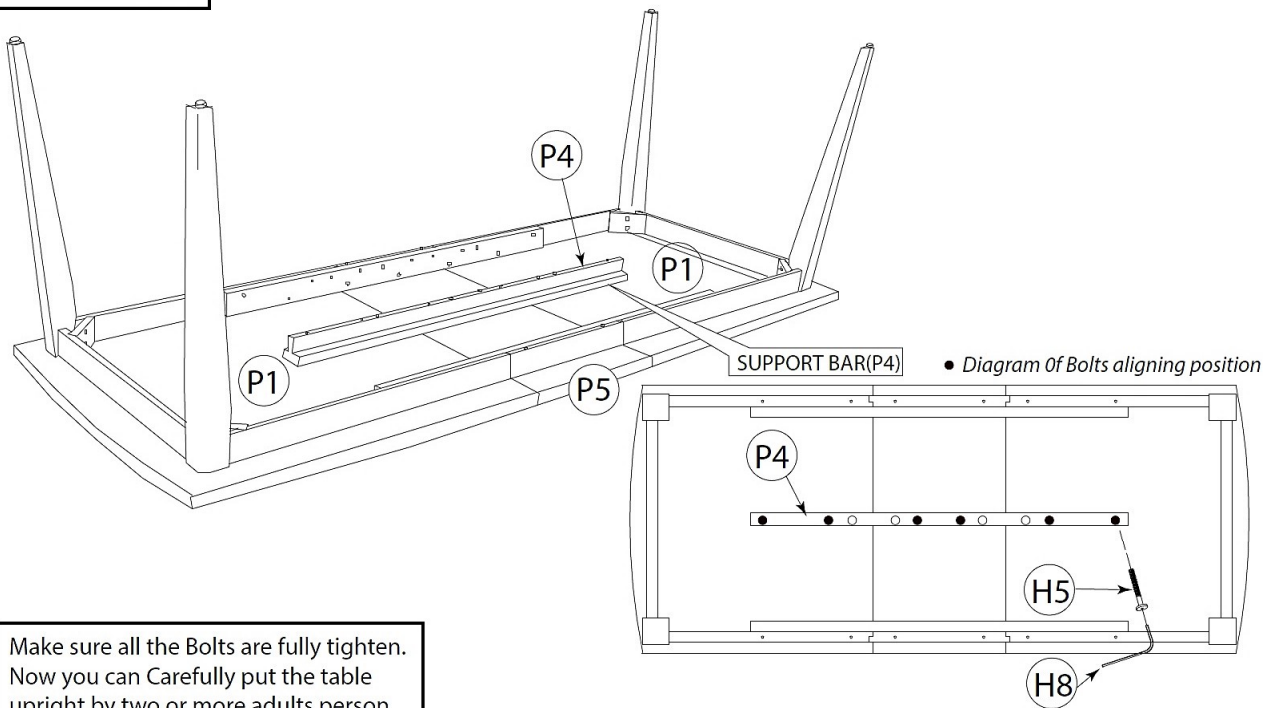
Mount the Sub-Aprons (P3) to the other side of Table Aprons: Please see a diagram below showing the position of holes to align the Bolts (H5) together Spring Washer (H6) & Flat Washer (H7) into the nuts in the Table aprons. Tighten all the bolts by using Allen Key (H8).



## STEP 9

H5 x 6	
M6 x 35mm	

Mount the existing Support Bar (P4) to the underside of Table top: Please see a diagram below showing the position of holes to align the Bolts (H5) into the nuts in the Table top. Tighten all the bolts by using Allen Key (H8).



Make sure all the Bolts are fully tighten.  
Now you can Carefully put the table upright by two or more adults person.

### CARE AND MAINTENANCE

- SAFETY** - To avoid any risk of suffocation to children and animals, dispose off plastic bags immediately.
- CLEANING** - Clean with damp cloth and mild detergent. Do not use bleach or abrasive products.
- FITTINGS** - tighten bolts and nuts from time to time to ensure all parts of product are securely fitted.