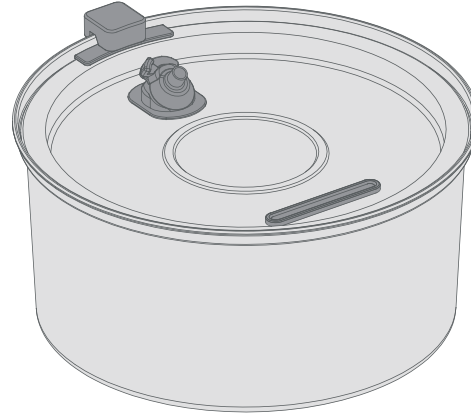
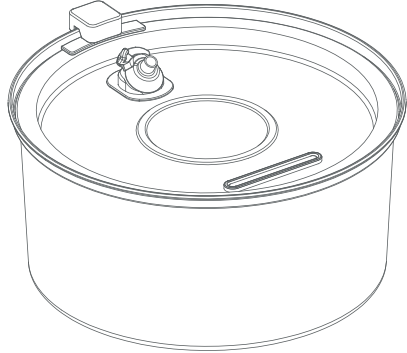


PET WATER DISPENSER

Manual



Pet Fountain

Before we start: Care Instructions

In order to provide your pet with fresh and clean water continuously, please remember these three simple tasks:

Refill often

Keep the water level. The pump is designed to work in water at least one inch deep. If the pump dries, it may malfunction.

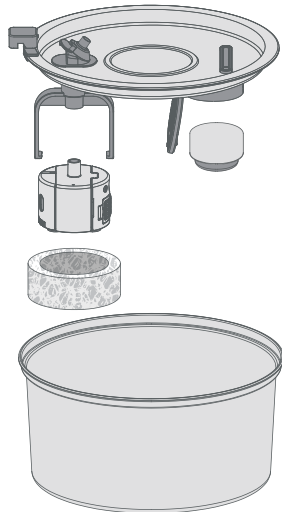
Clean your pump and your fountain.

Take your pump and fountain apart to clean with soap and water every two to four weeks. Be careful not to get soap in the filters, as it will not rinse out.

Replace your filters.

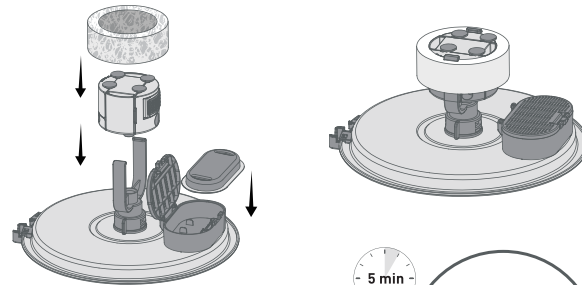
Replace the carbon filter every four weeks when you clean your fountain.
Replace the foam filter every two months.

What you have:



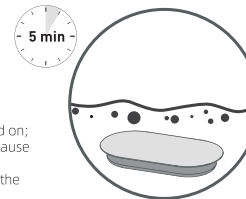
Setup Instructions

- 1 Install the pump holder first, then put the pump into the sponge. Put the activated carbon filter in the filter housing and close it.

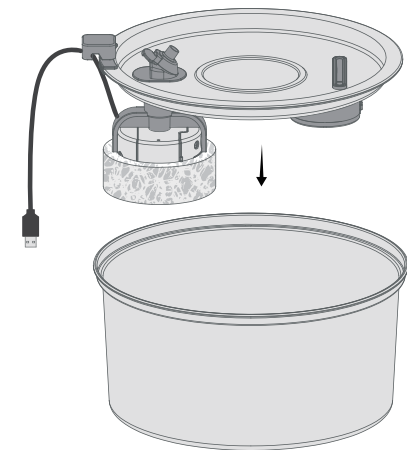


Soak the filter in a clean bowl for 5 minutes.

- Notes:
1. The filter must be fully soaked before the fountain is turned on; Otherwise, the water may not diffuse through the filter and cause overflow.
 2. Do not soak the filter in the fountain tank to avoid dust on the surface.

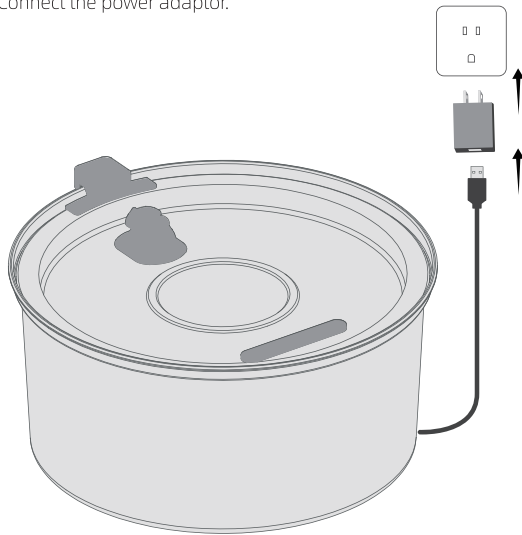


- 2 Open the cover and put back the cover.



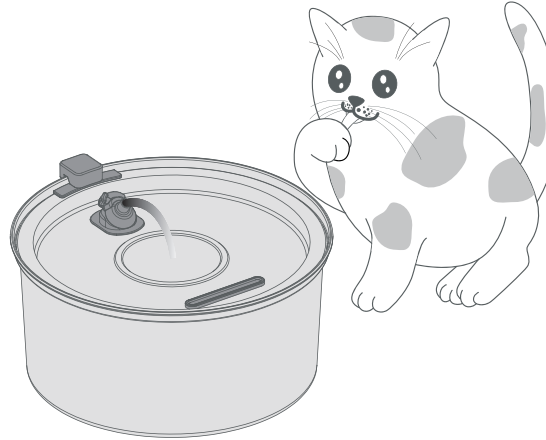
Put back the cover to form a seal.

3 Connect the power adaptor.



Connect the power adaptor.

Use Instructions

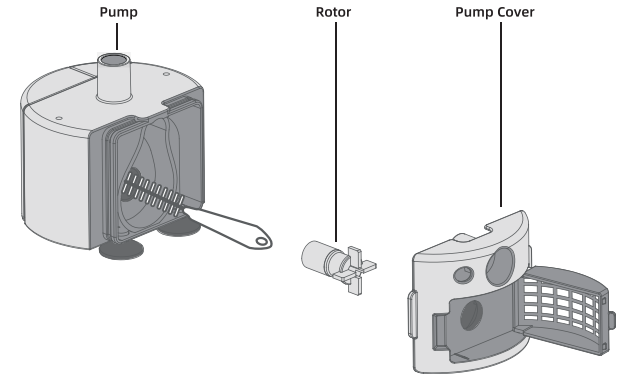


Place the fountain where your pet will use it. Fill the bowl with water, leaving a half inch of space between the water and the rim. Make sure your hands, the cord and the power adaptor are dry, then plug the fountain into an outlet.

Keep health and happiness flowing!

Clean the pump and fountain every two weeks.

Take off the pump cover and rotor. Use the brush to clean the parts with water.



Cautions

1. Be sure to shut down and disconnect the power supply for safety when the equipment is not in use
2. This product is for indoor use only.
3. The power adaptor and wire plug must not be flooded during cleaning
4. This product is not allowed to run without water (models with automatic shutdown function without water can be ignored)
5. Please disconnect the power supply before maintaining and cleaning the machine.

If you have any questions about the product, please scan the QR code to contact us, we will solve all problems for you. And scan the QR code can also get our exquisite gift.

