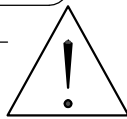
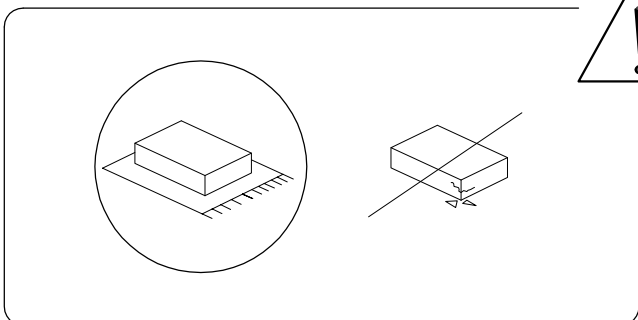
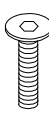
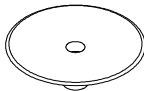

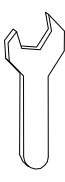
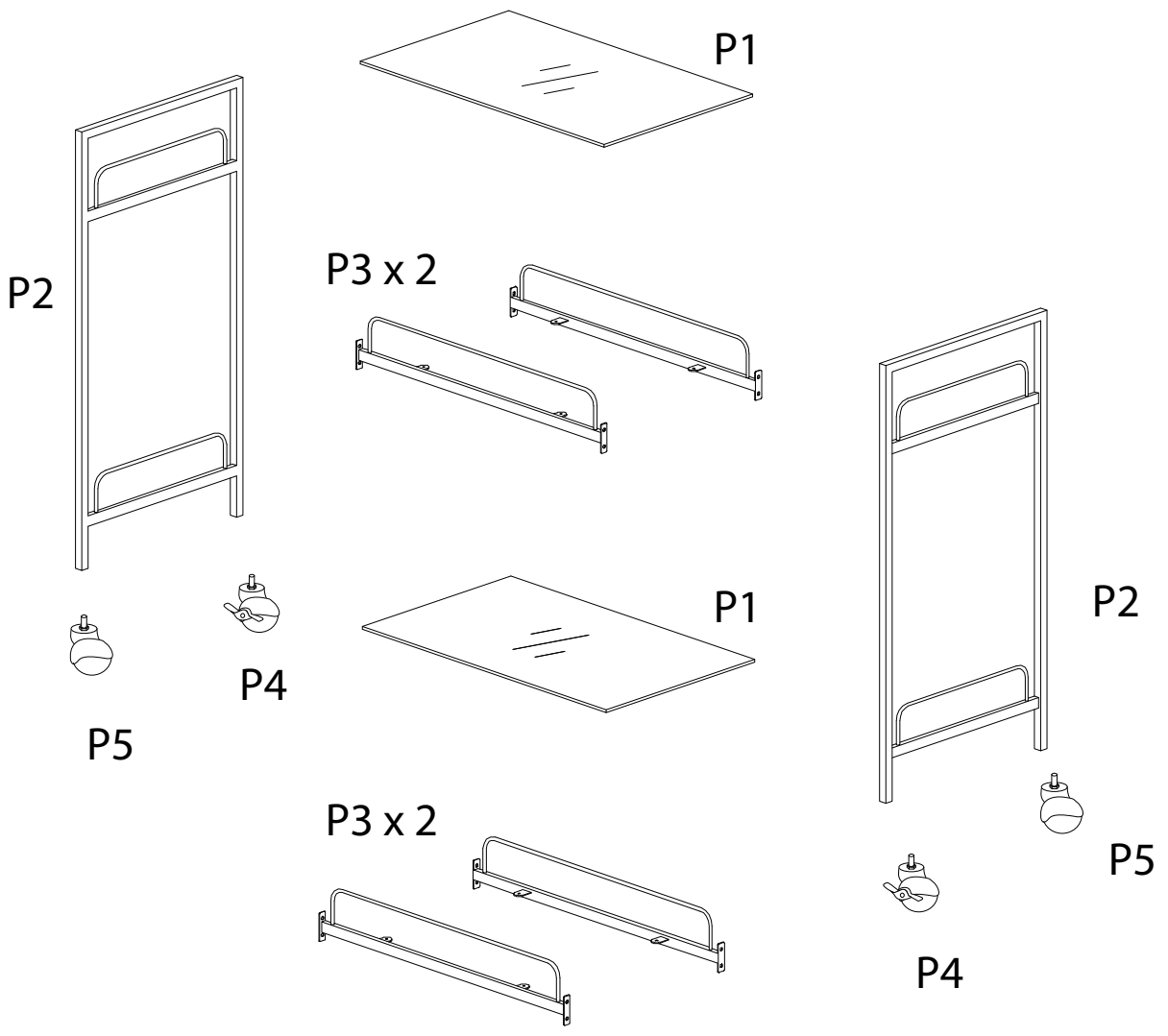




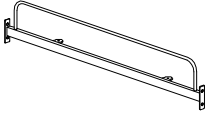

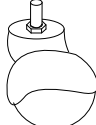
15'



1

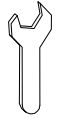
<p>H1</p>  <p>M6 x 12</p> <p>x 16</p>	<p>H2</p>  <p>x 8</p>	<p>H3</p>  <p>x 1</p>	<p>H4</p>  <p>x 1</p>
--	--	--	--



<p>P1</p>  <p>x 2</p>	<p>P2</p>  <p>x 2</p>	<p>P3</p>  <p>x 4</p>	<p>P4</p>  <p>x 2</p>	<p>P5</p>  <p>x 2</p>
--	--	--	---	--

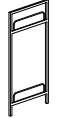
1 x 2

H4



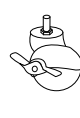
x 1

P2



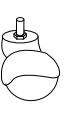
x 1

P4

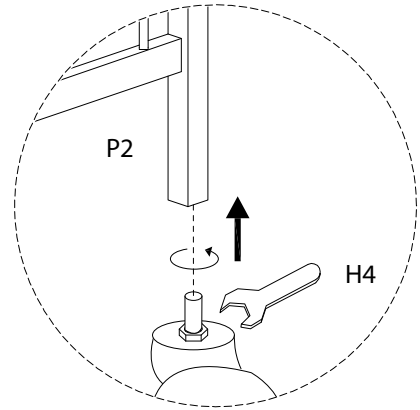
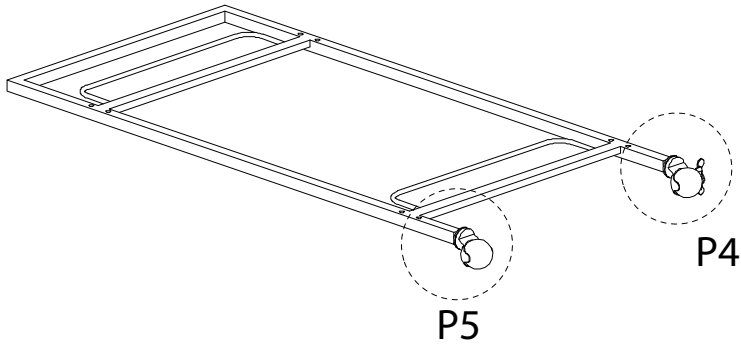


x 1

P5



x 1



2

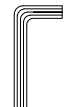
H1



x 8

M6
x
12

H3

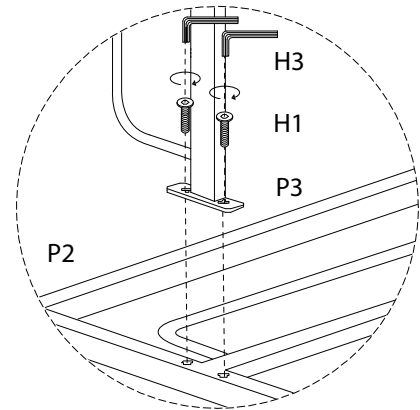
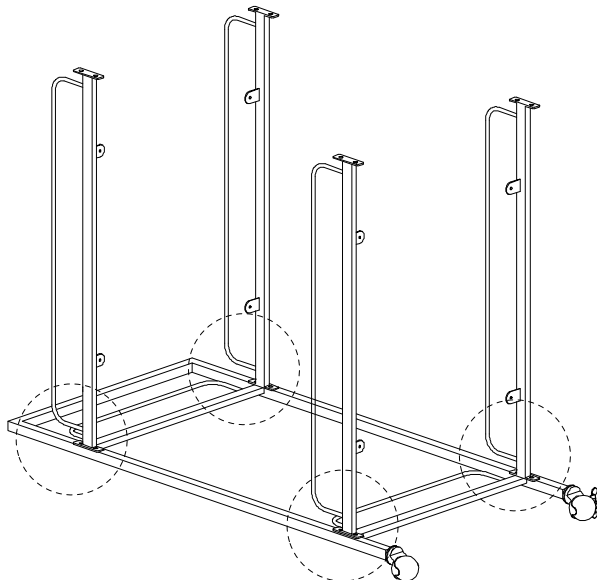


x 1

P3

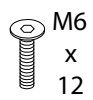


x 4



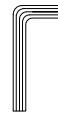
3

H1

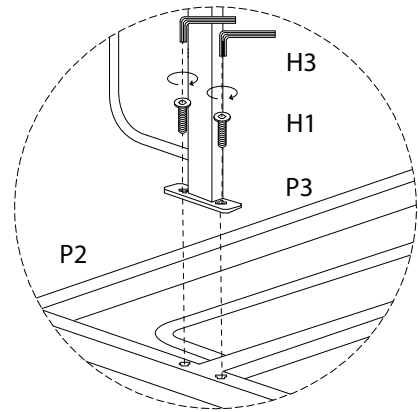
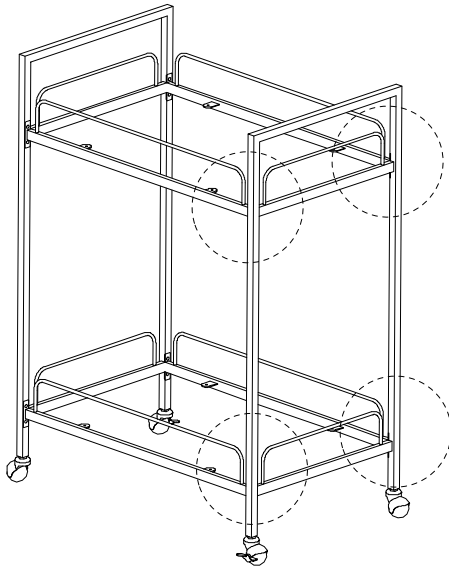


x 8

H3

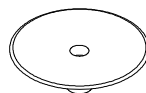


x 1

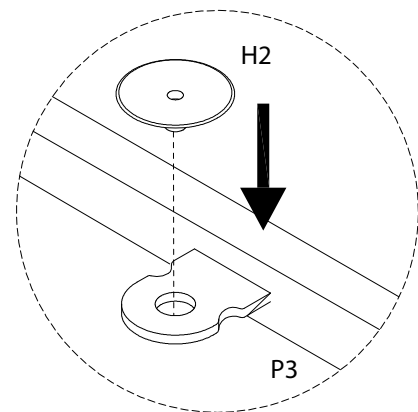
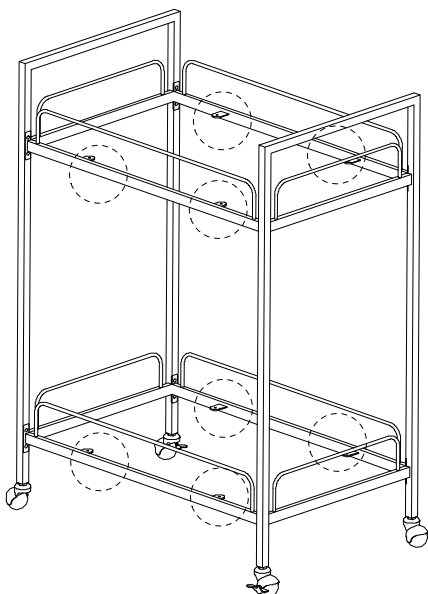


4

H2



x 8



5

