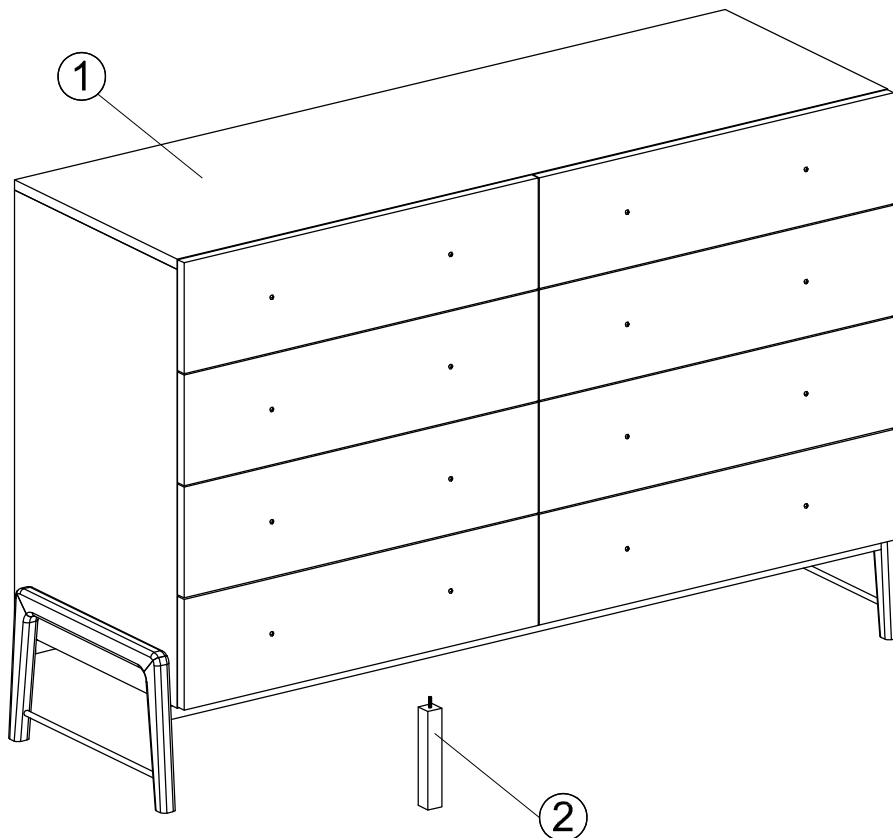
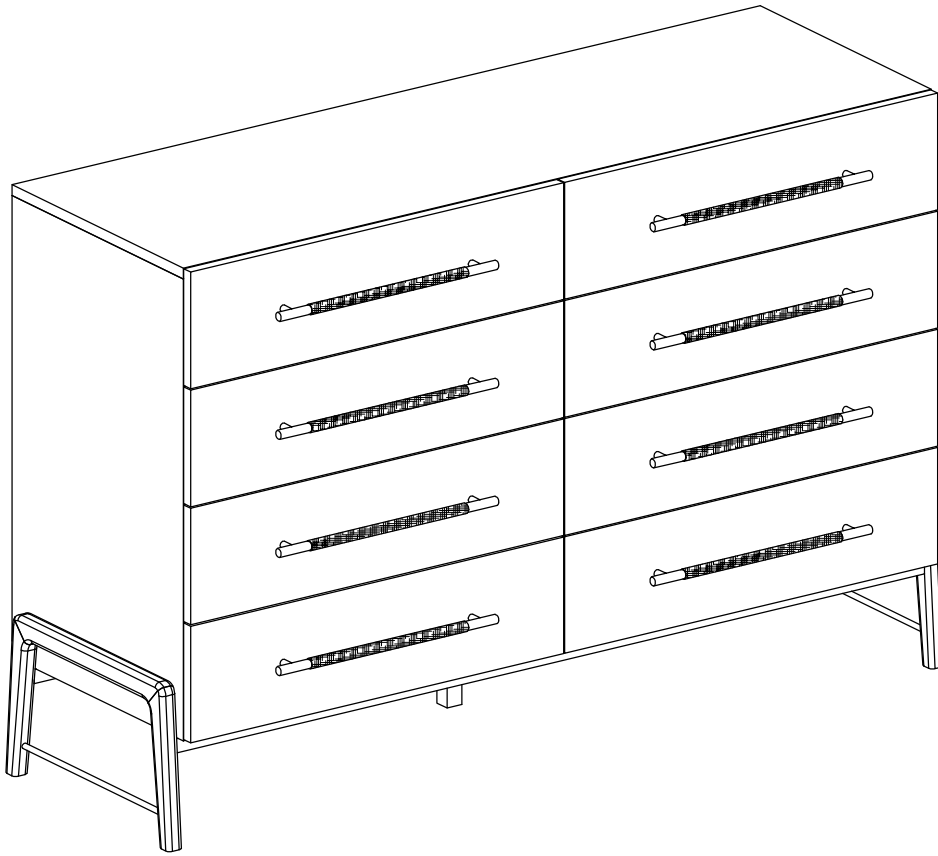


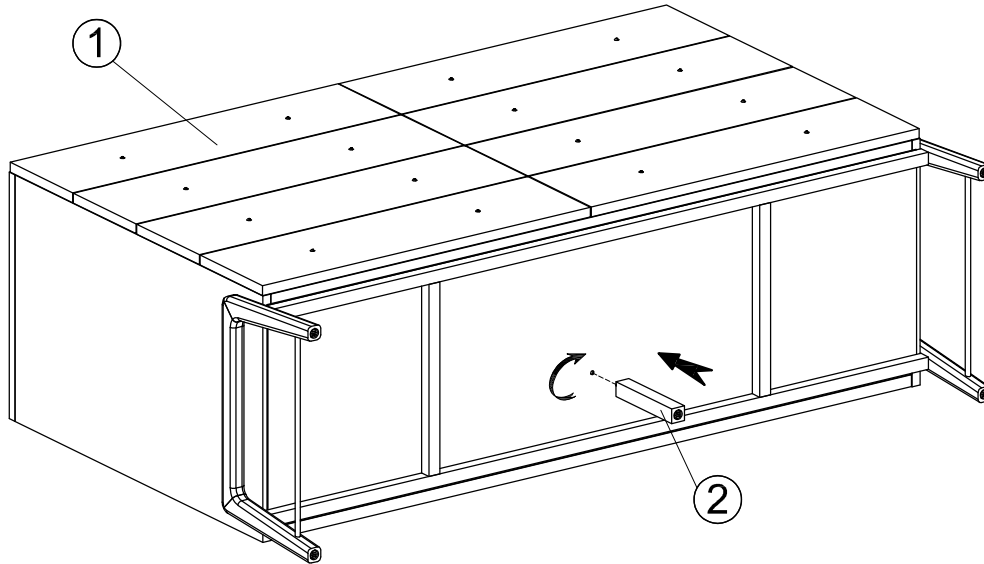
# ASSEMBLY INSTRUCTION FOR MODEL: 8 DRAWER DRESSER

|   |  |                  |       |
|---|--|------------------|-------|
| A |  | Tipping Hardware | 2 Set |
|---|--|------------------|-------|

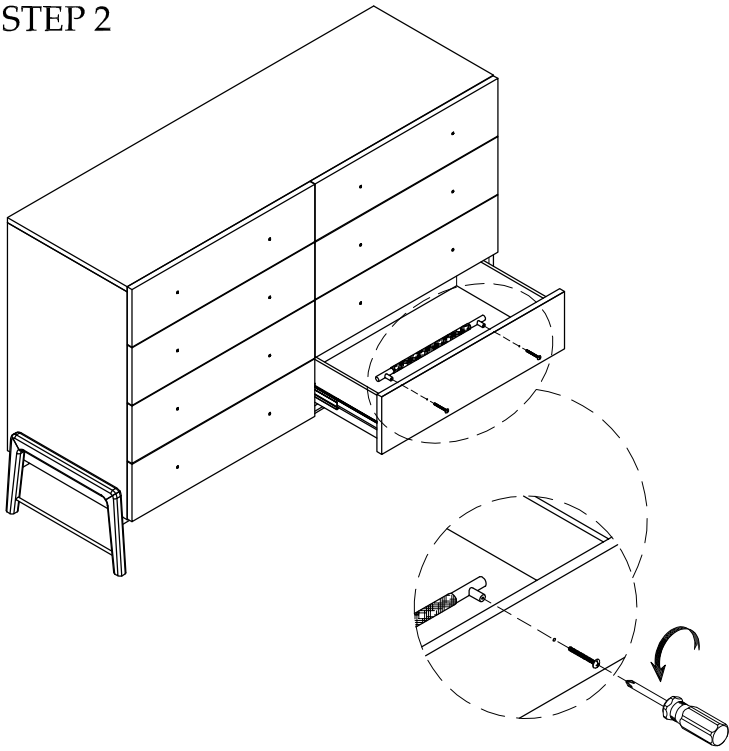


# ASSEMBLY INSTRUCTION FOR MODEL: 8 DRAWER DRESSER

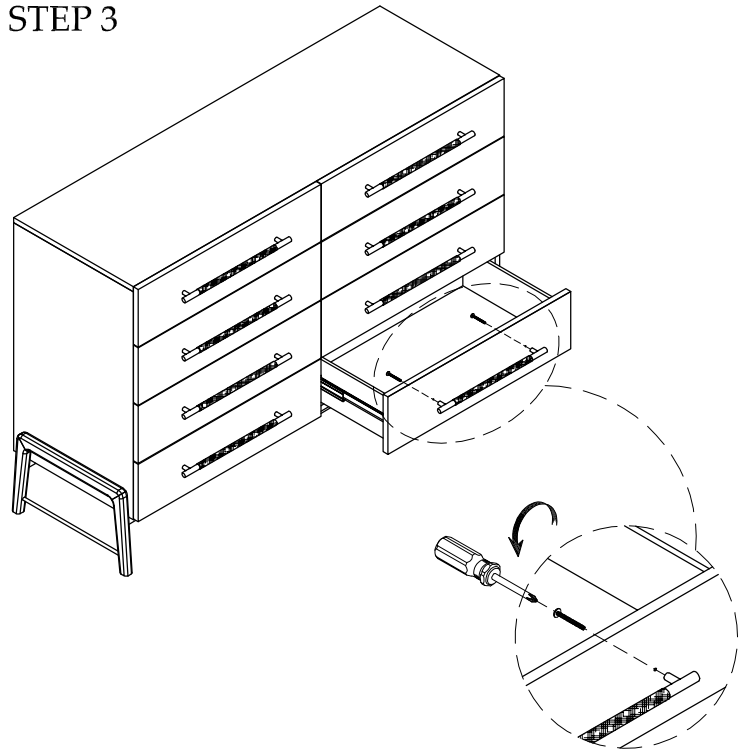
## STEP 1



## STEP 2

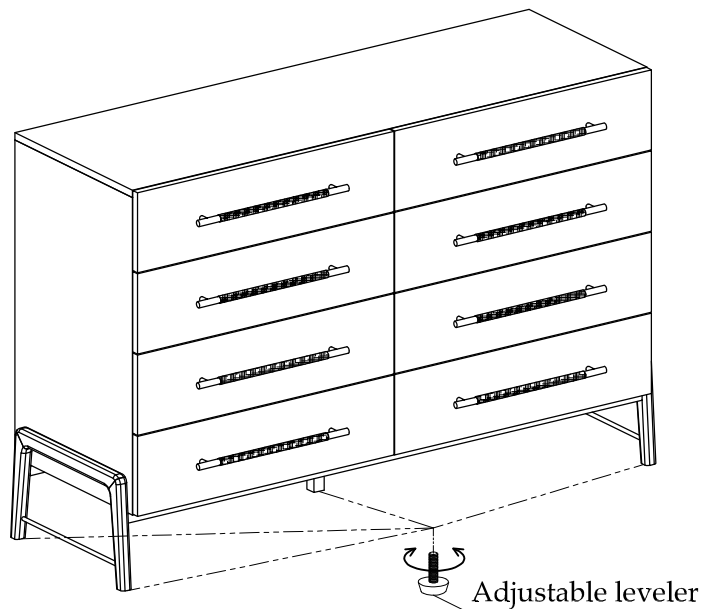


## STEP 3



## STEP 4

★ **REMARK:** There is a tip restraint kit provided on the back of this product please read the direction thoroughly and install immediately



Adjustable leveler