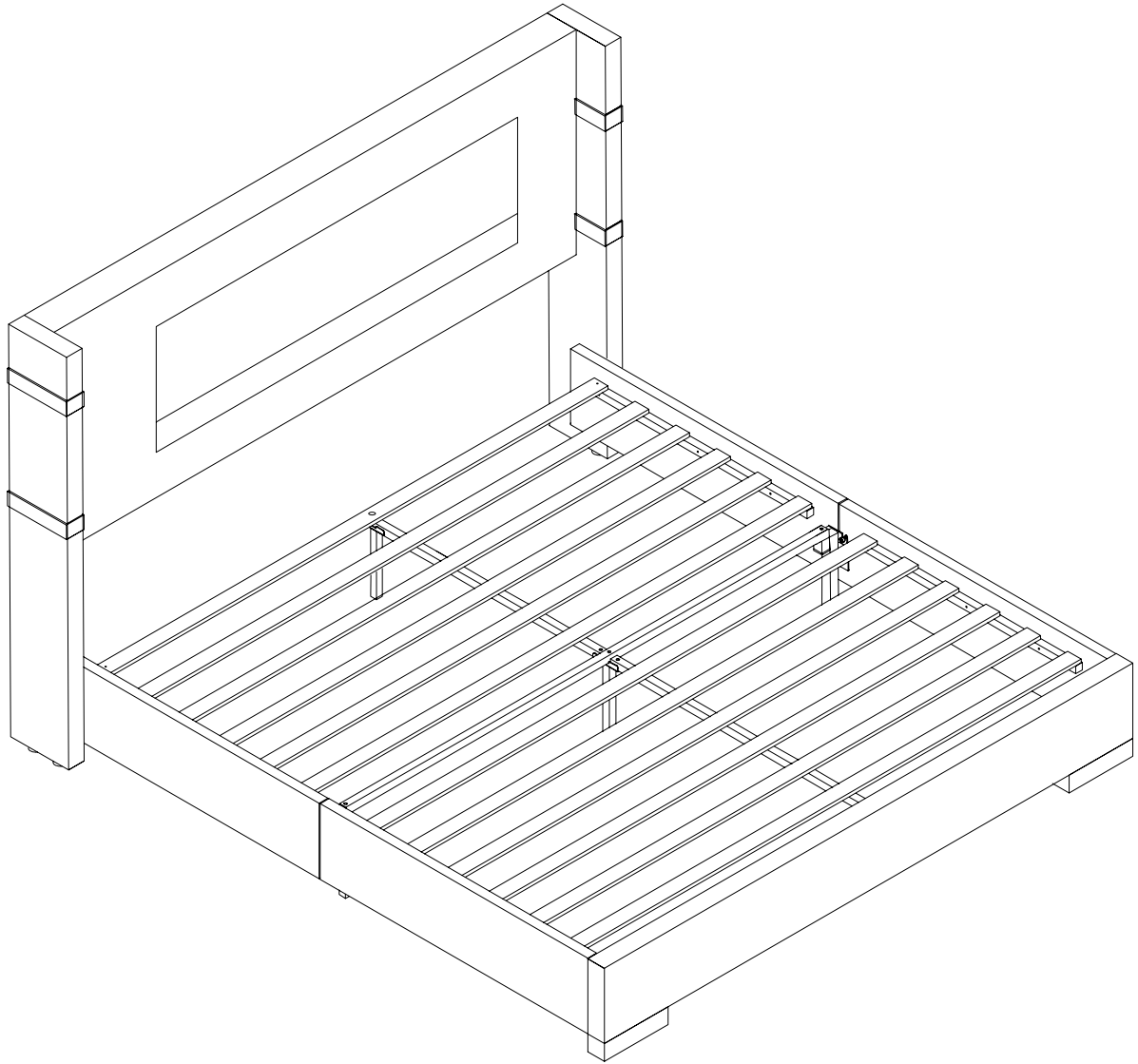


Assembly Instruction

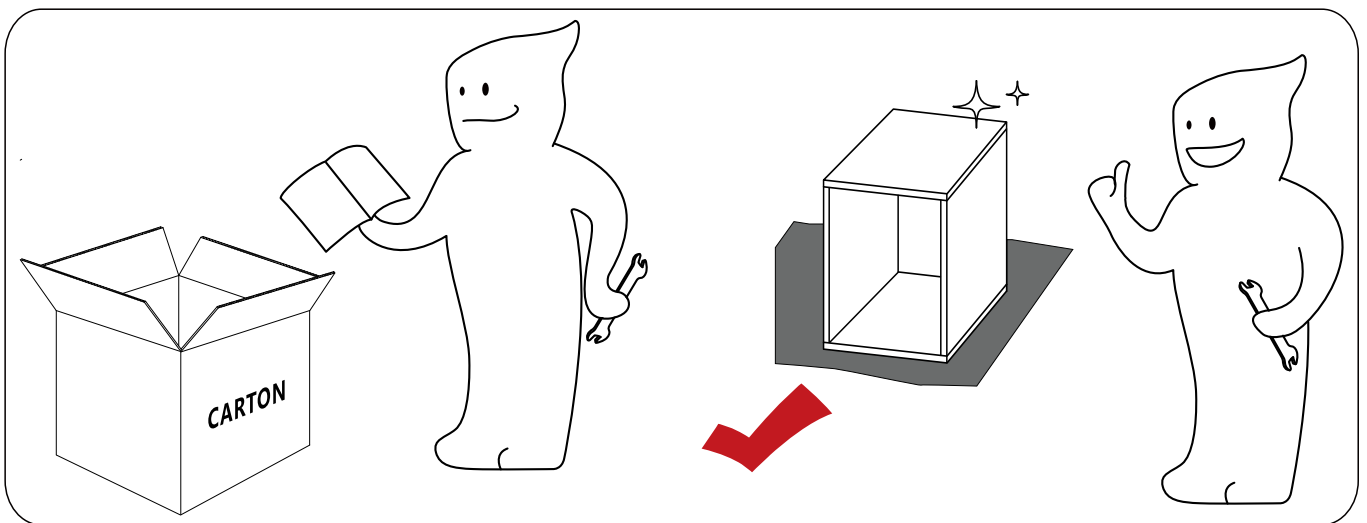
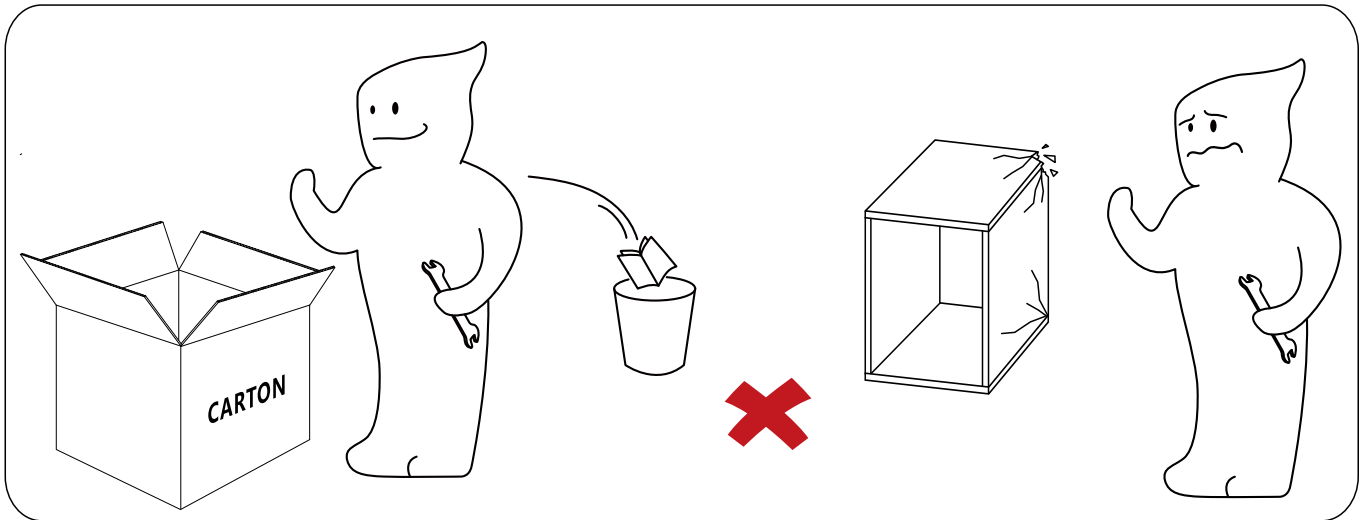


Please check that you have all the parts listed before you start assembling,if you do find that something is missing,do not continue assembly,please contact us immediately.

NOTE:Please do not completely tighten all the hardware until the entire assembly is complete!

! IMPORTANT

Please follow the instruction manuals and use a pad to protect the product during your assembly.

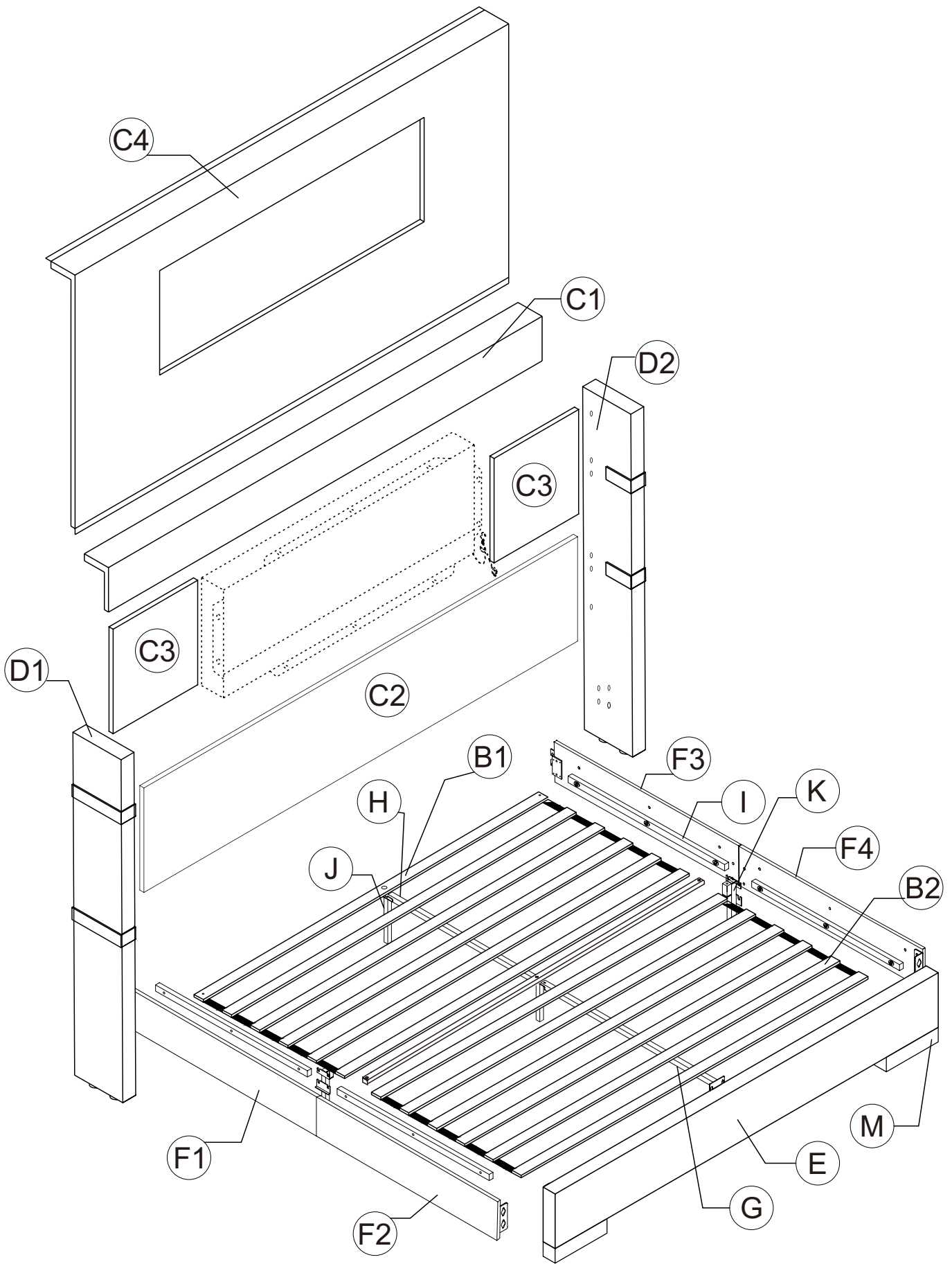


Note:

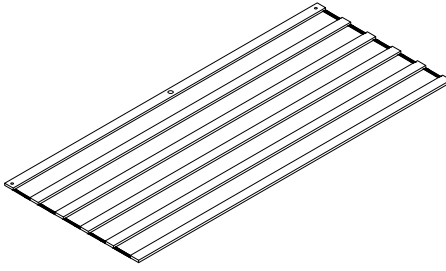
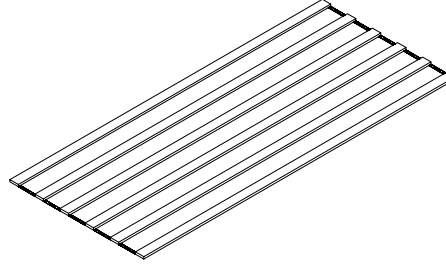
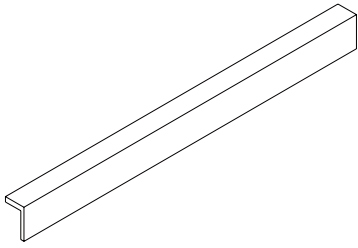
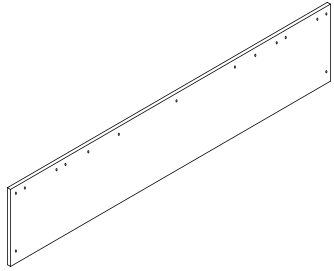
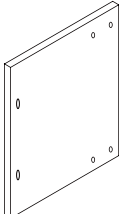
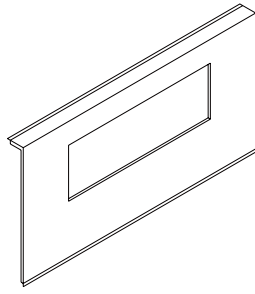
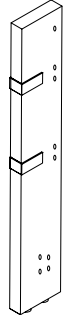
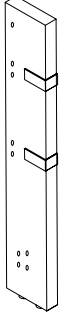
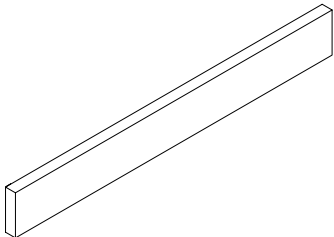
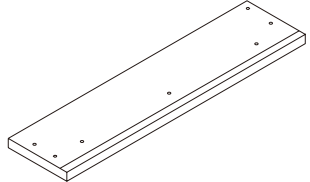
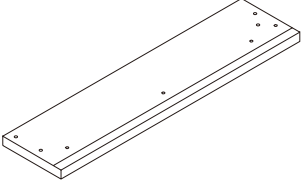
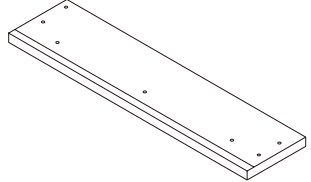
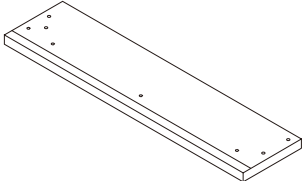
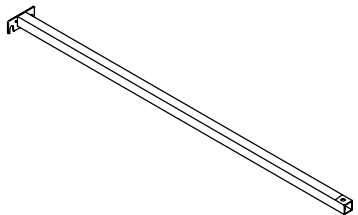
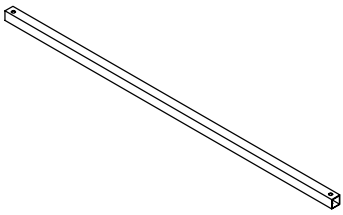
1. Should be assembled on flat ground to keep balance.
2. Before completing the installation, do not tighten the screws.



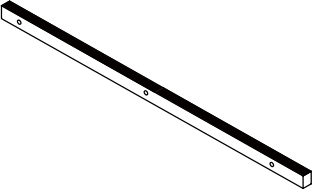
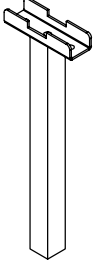
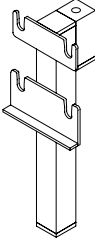
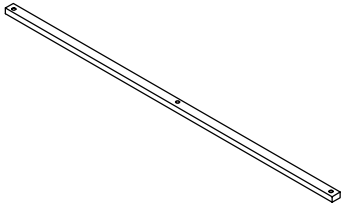
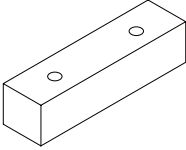
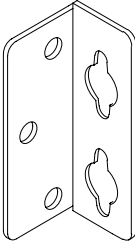
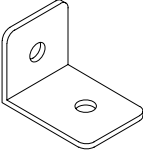
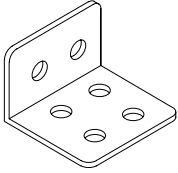
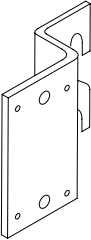
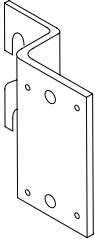
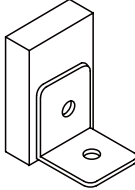
For easier and better assembly, **2** or more adults are required.



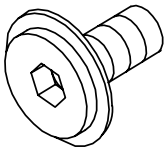
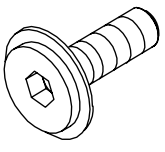
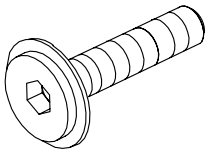
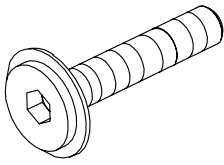
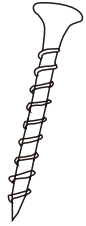
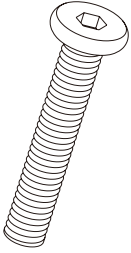
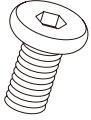

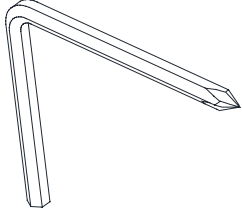

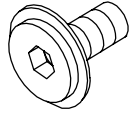

BED FRAME PARTS LIST

<p>B1 1PC</p>  <p>Slat</p>	<p>B2 1PC</p>  <p>Slat</p>	<p>C1 1PC</p> 
<p>C2 1PC</p> 	<p>C3 2PCS</p> 	<p>C4 1PC</p> 
<p>D1 1PC</p>  <p>Left Leg</p>	<p>D2 1PC</p>  <p>Right Leg</p>	<p>E 1PC</p>  <p>Footboard</p>
<p>F1 1PC</p>  <p>side rail</p>	<p>F2 1PC</p>  <p>side rail</p>	<p>F3 1PC</p>  <p>side bar</p>
<p>F4 1PC</p>  <p>side bar</p>	<p>G 1PC</p>  <p>Middle behind support bar</p>	<p>H 1PC</p>  <p>Middle front support bar</p>

FITTING PART LIST

I	4PCS	J	2PCS	K	2PCS	L	1PC
							
Side bar		Middle support leg		Bed side support leg		Cross bar	
M	2PCS	N	2PCS	O	6PCS	P	4PCS
							
Foot		Connector-N		Connector-O		Connector-P	
R	1PC	S	1PC	T	2PCS		
							
Connector-R		Connector-S		Connector-T			

FITTING PART LIST

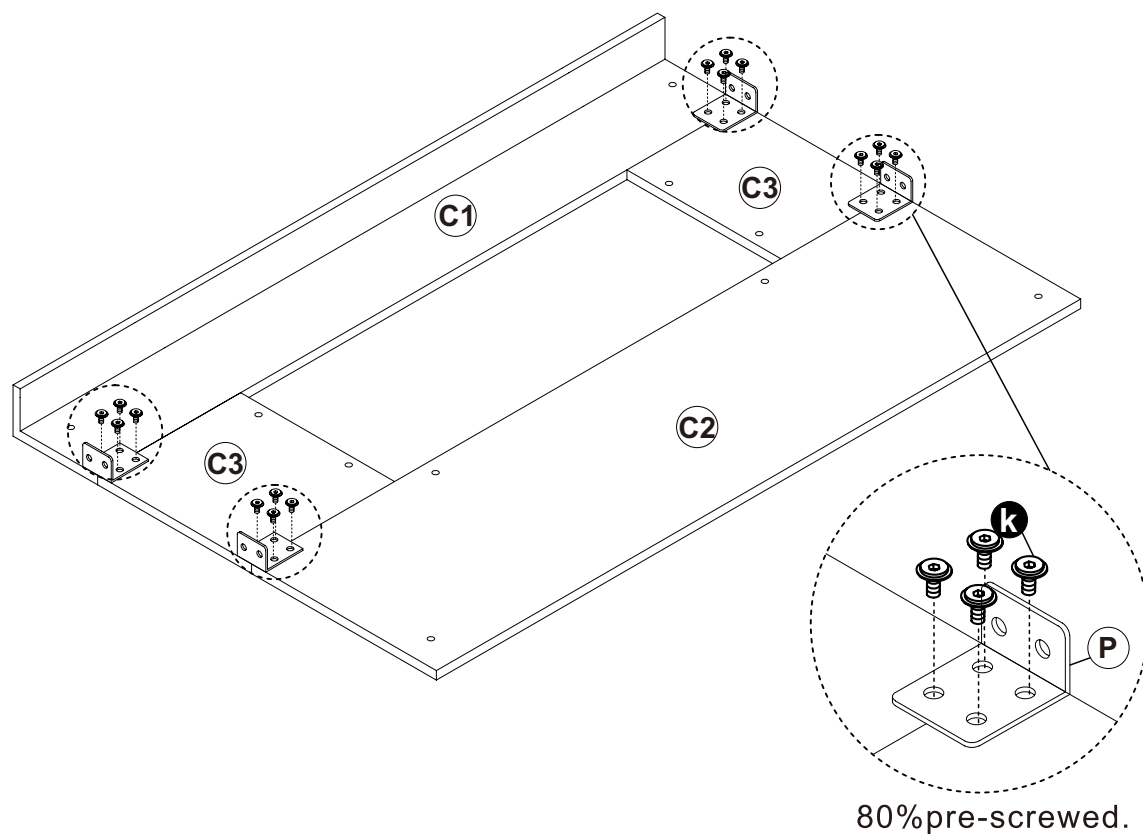
a	18PCS	b	6PCS	c	21PCS	d	1PCS
 M8*18		 M8*25		 M8*35		 M8*55	
e	8PCS	f	4PCS	g	4PCS	h	2PCS
 M4*45		 M6*80		 M6*20		 M4*35	
i	1PC	j	8PCS	k	34PCS	m	6PCS
				 M6*20		 M4*20	

step1

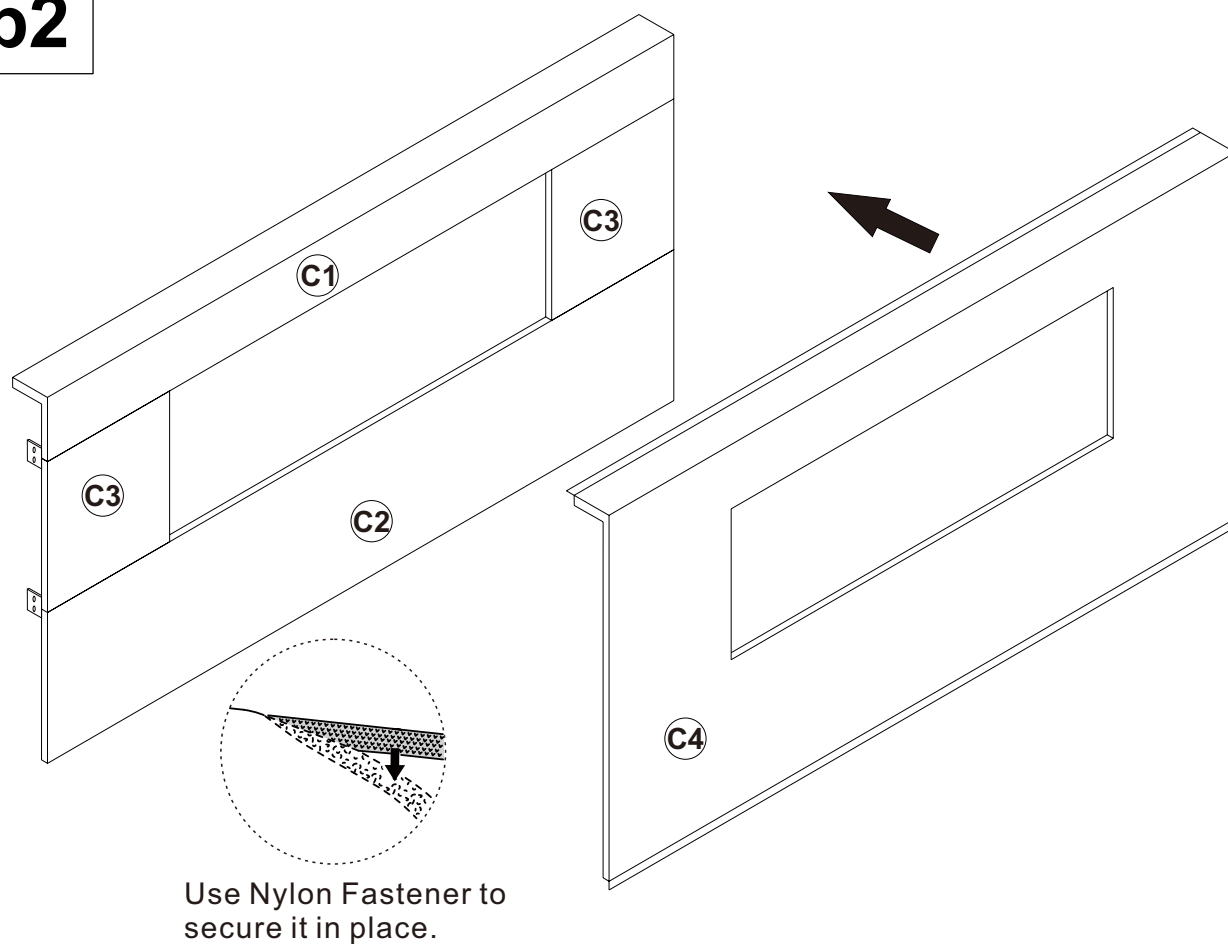
k

M6*20

16PCS



step2

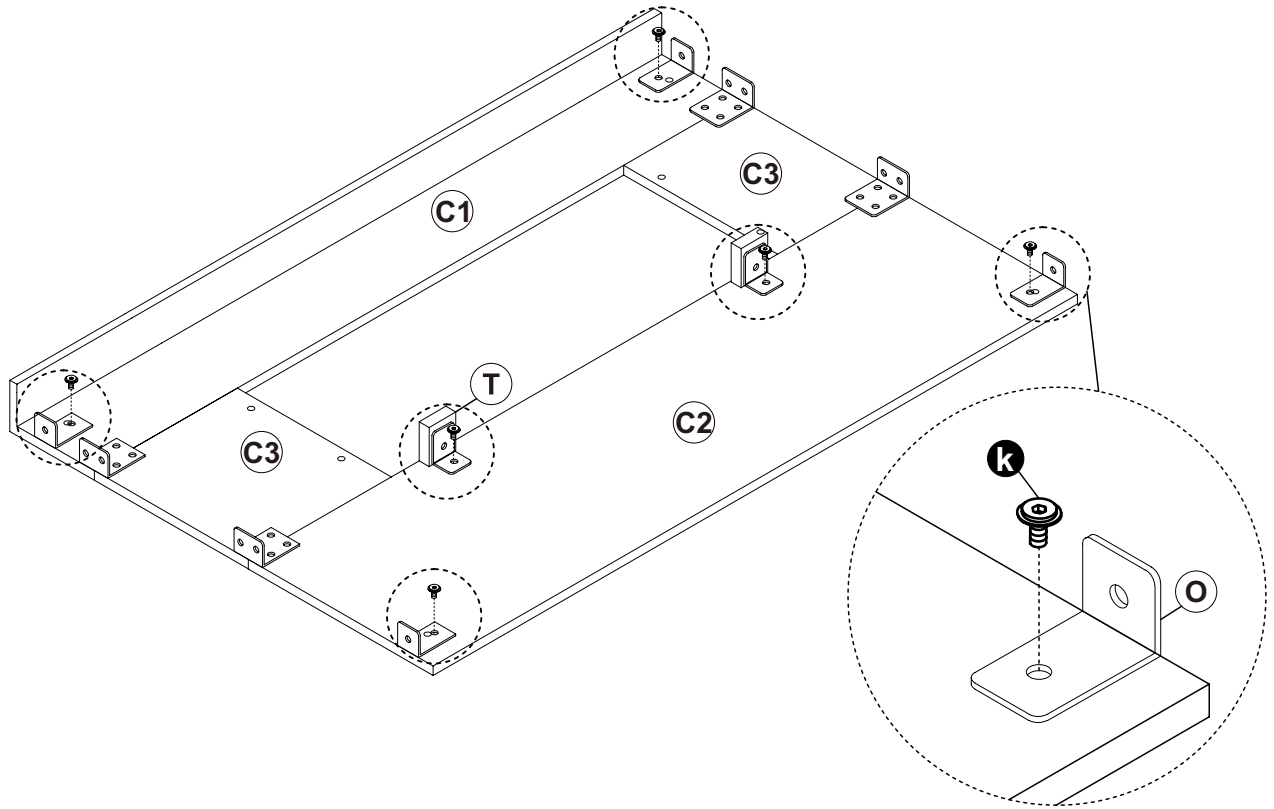


step3

k



6PCS



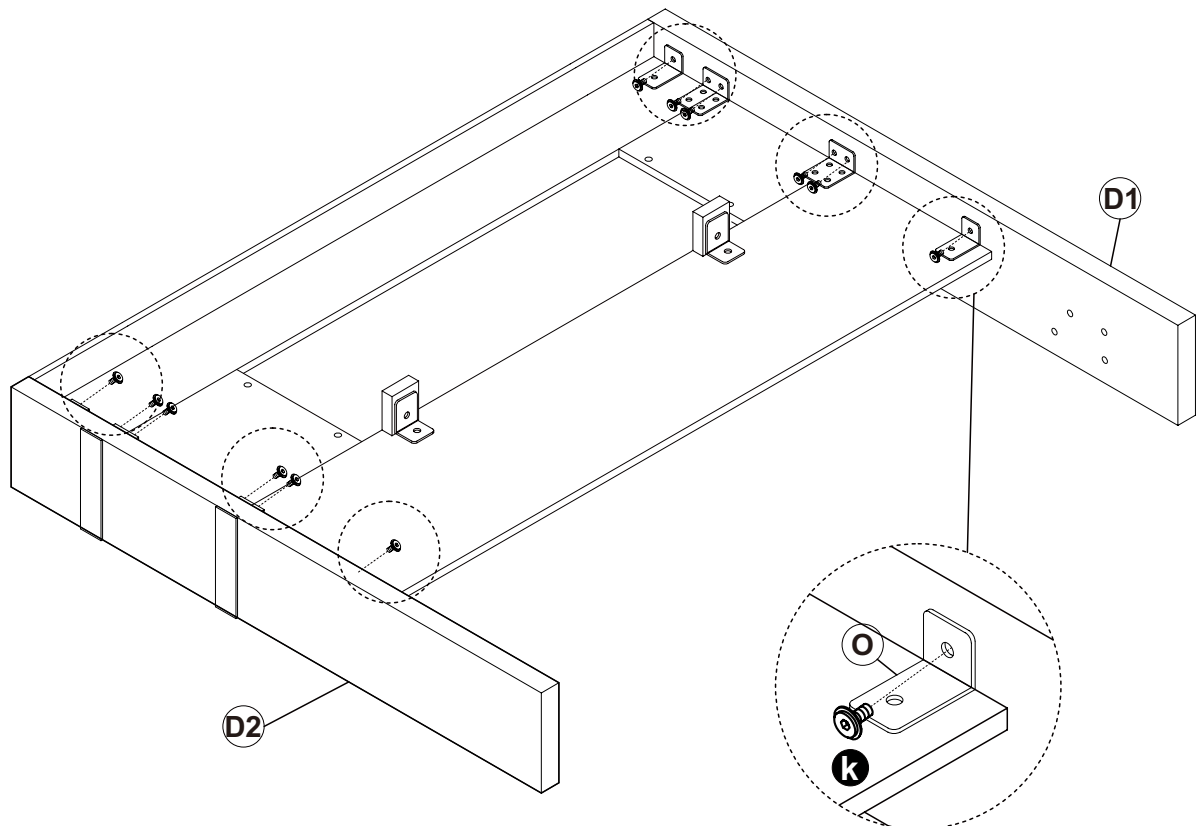
step4

k



12PCS

Tighten the bolts (including those that weren't tightened before).

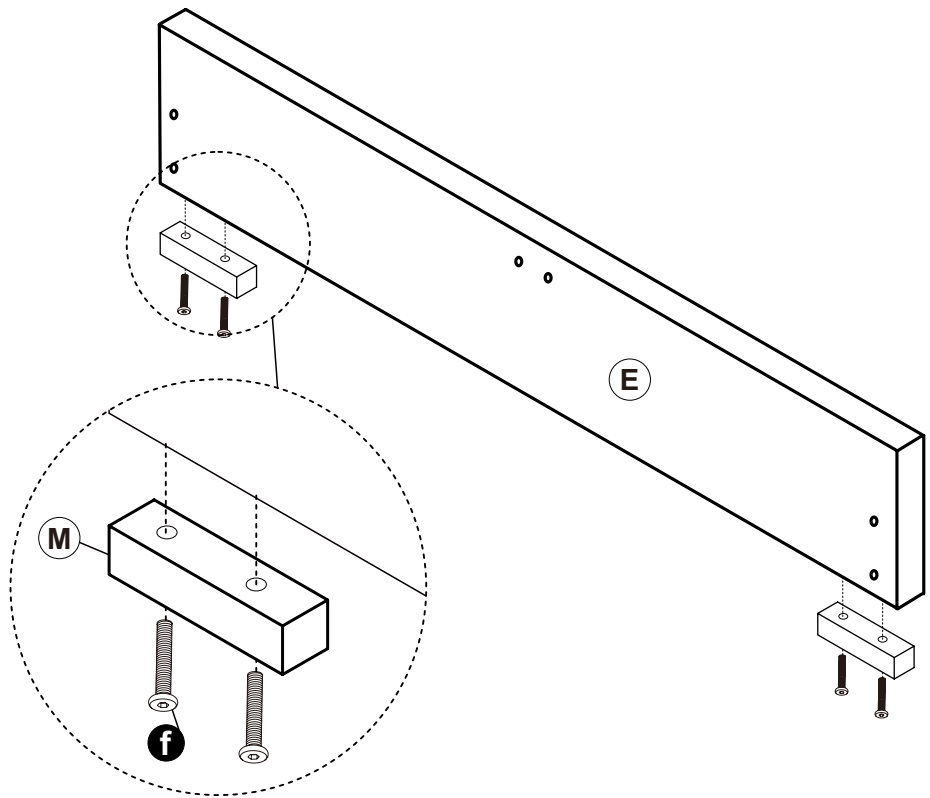


step5

f

M6*80

4PCS

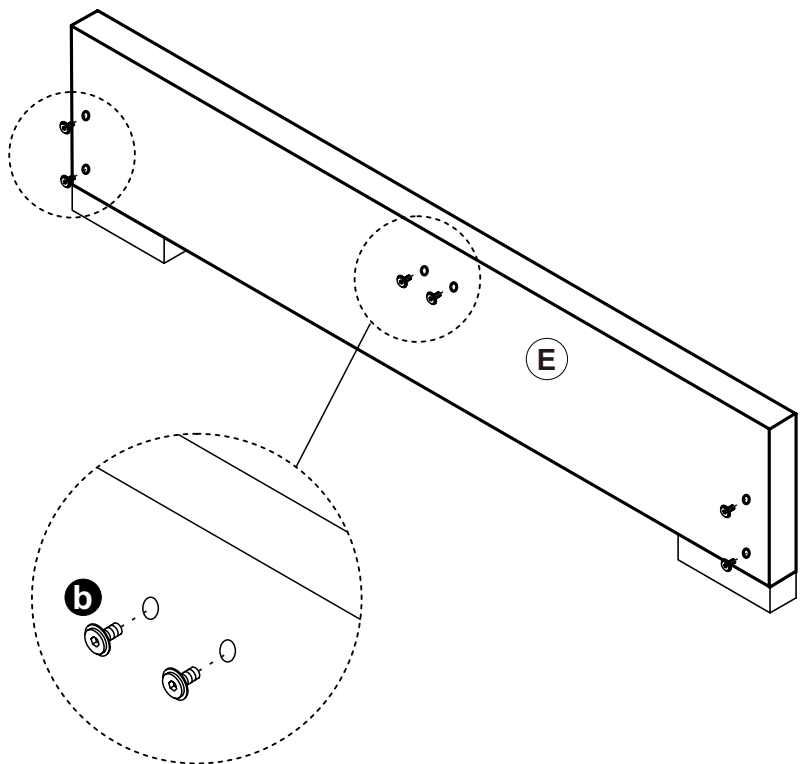


step6

b

M8*25

6PCS



50% pre-screwed

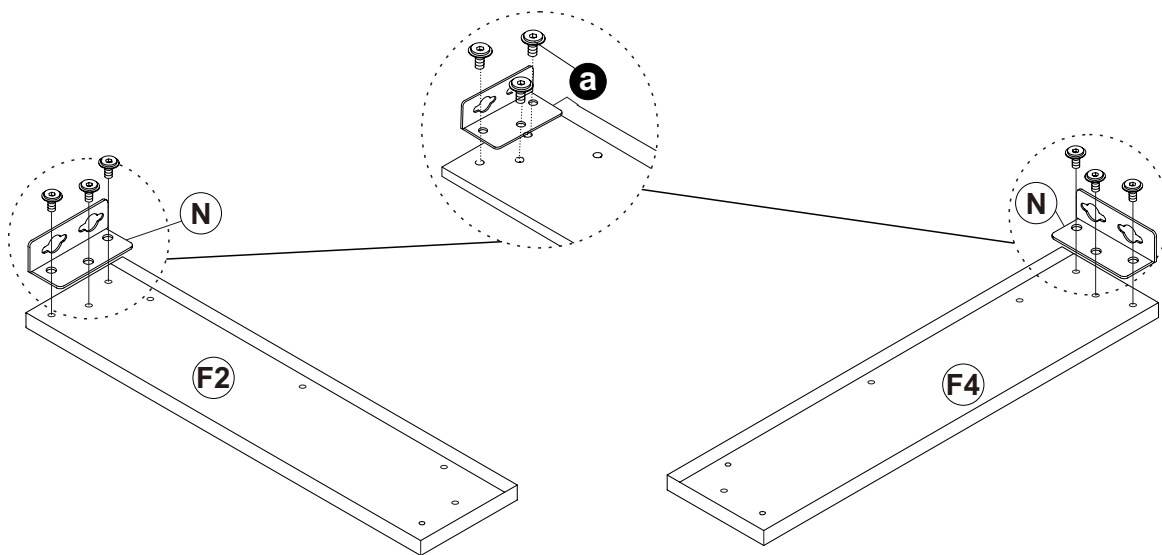
step7

a



M8*18

6PCS



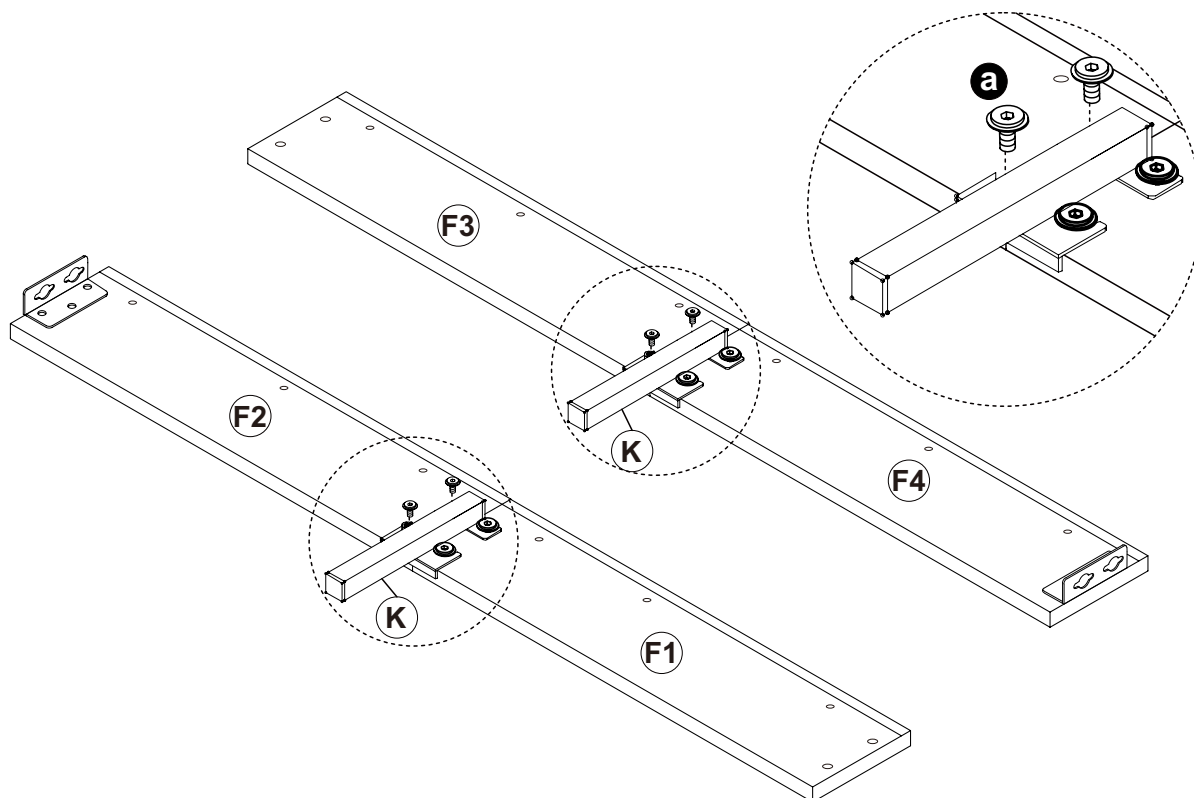
step8

a



M8*18

8PCS

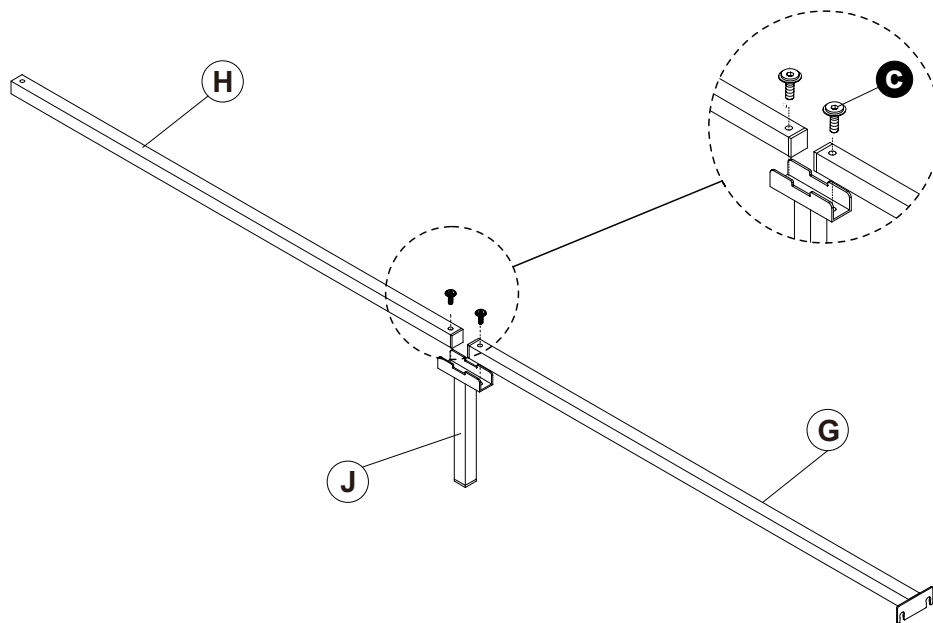


step9

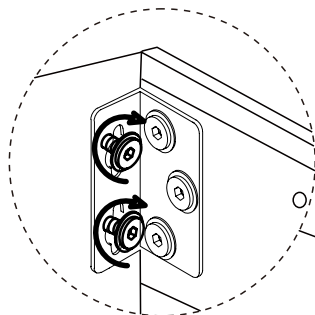
C

M8*35

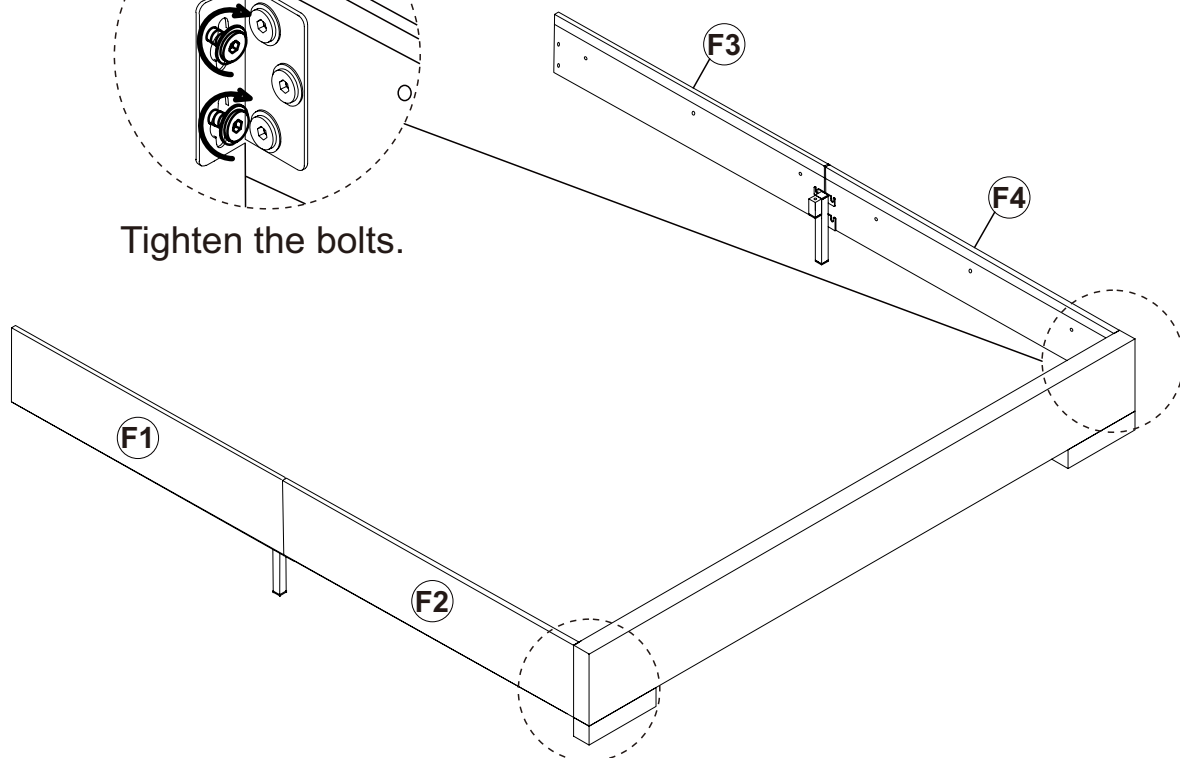
2PCS





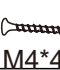
step10

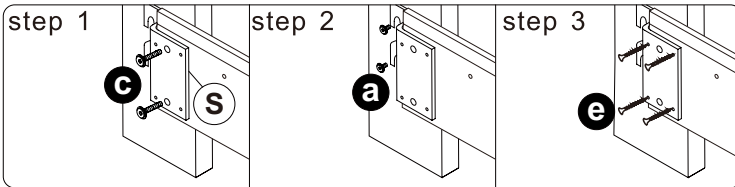
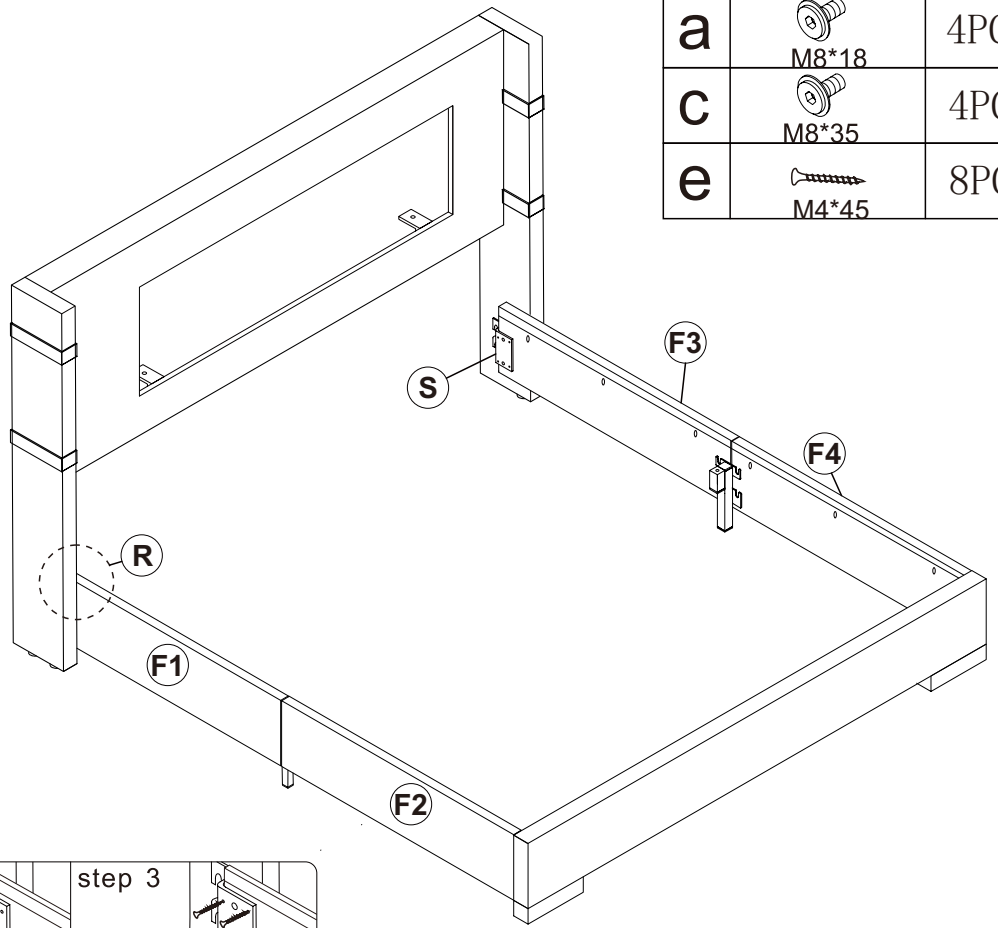


Tighten the bolts.




step11

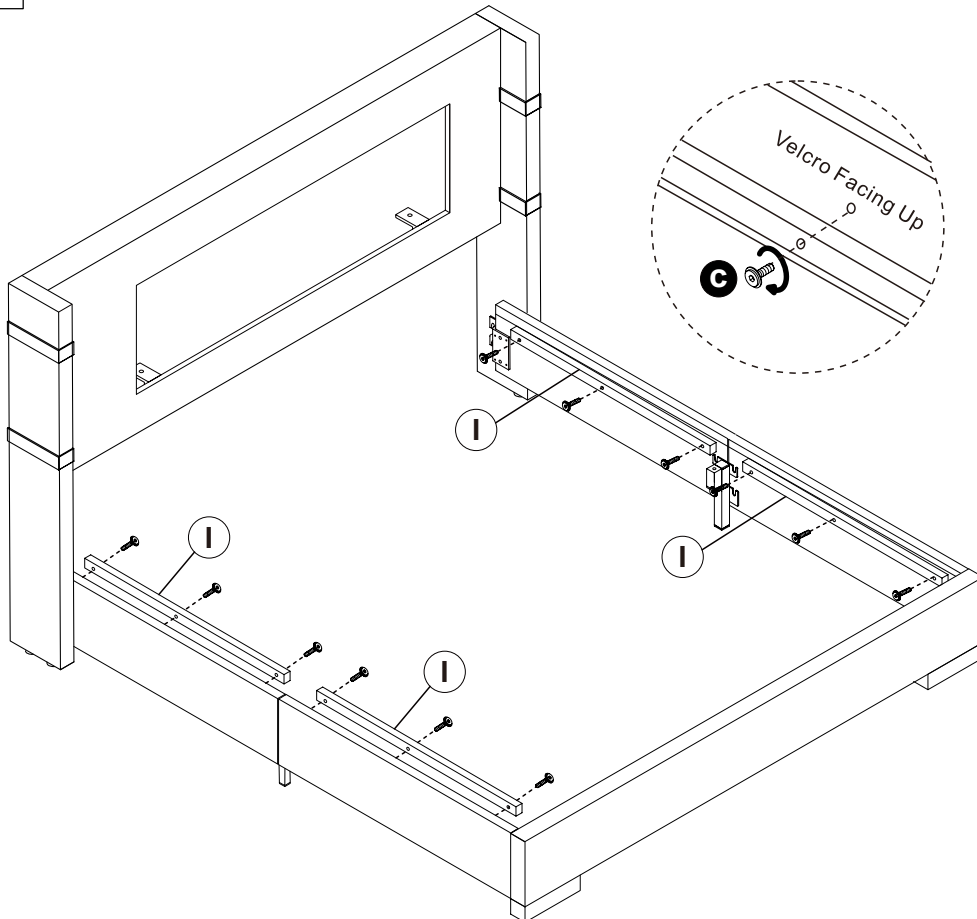
a	 M8*18	4PCS
c	 M8*35	4PCS
e	 M4*45	8PCS



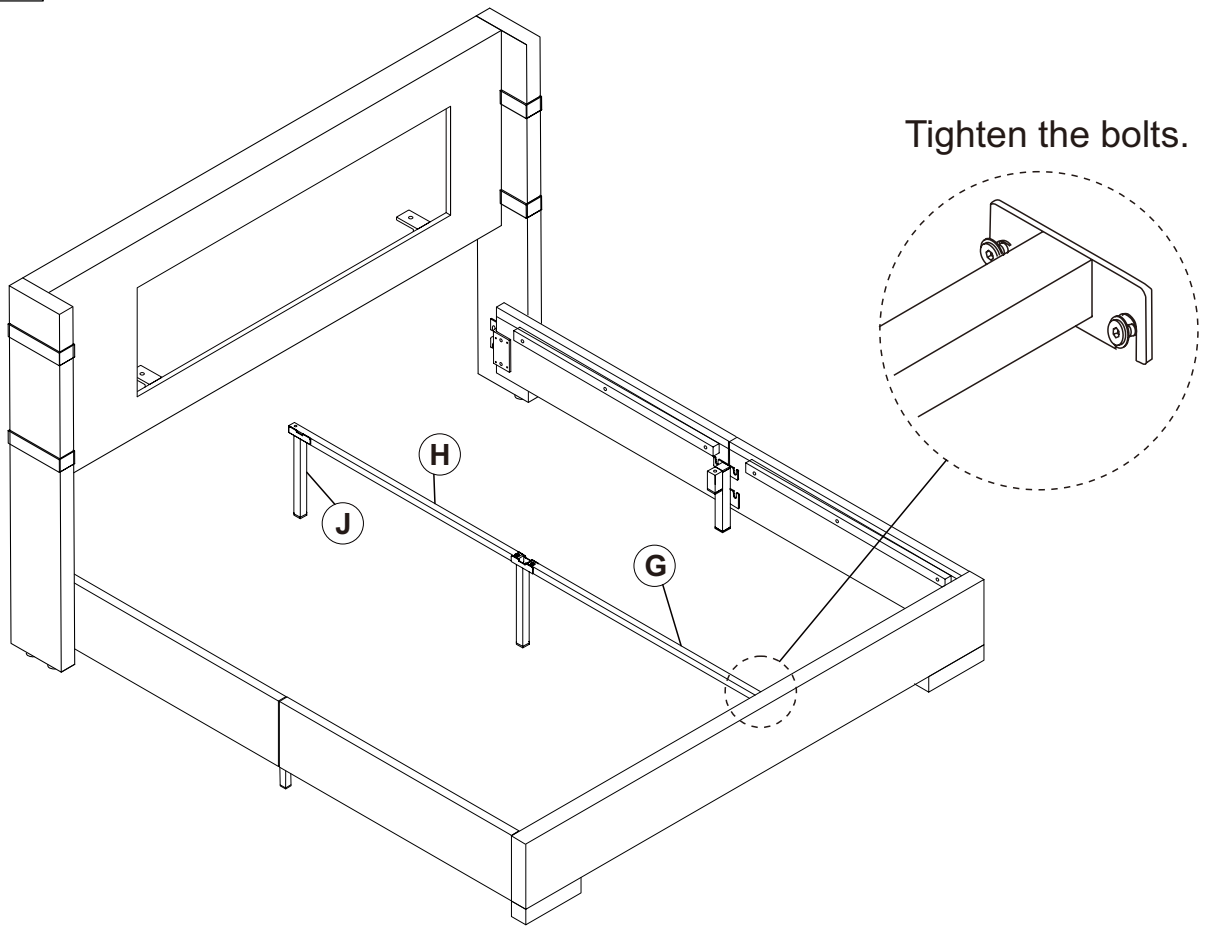
50% pre-screwed. Tighten all bolts.

step12

C	 M8*35	12PCS
----------	--	-------



step13

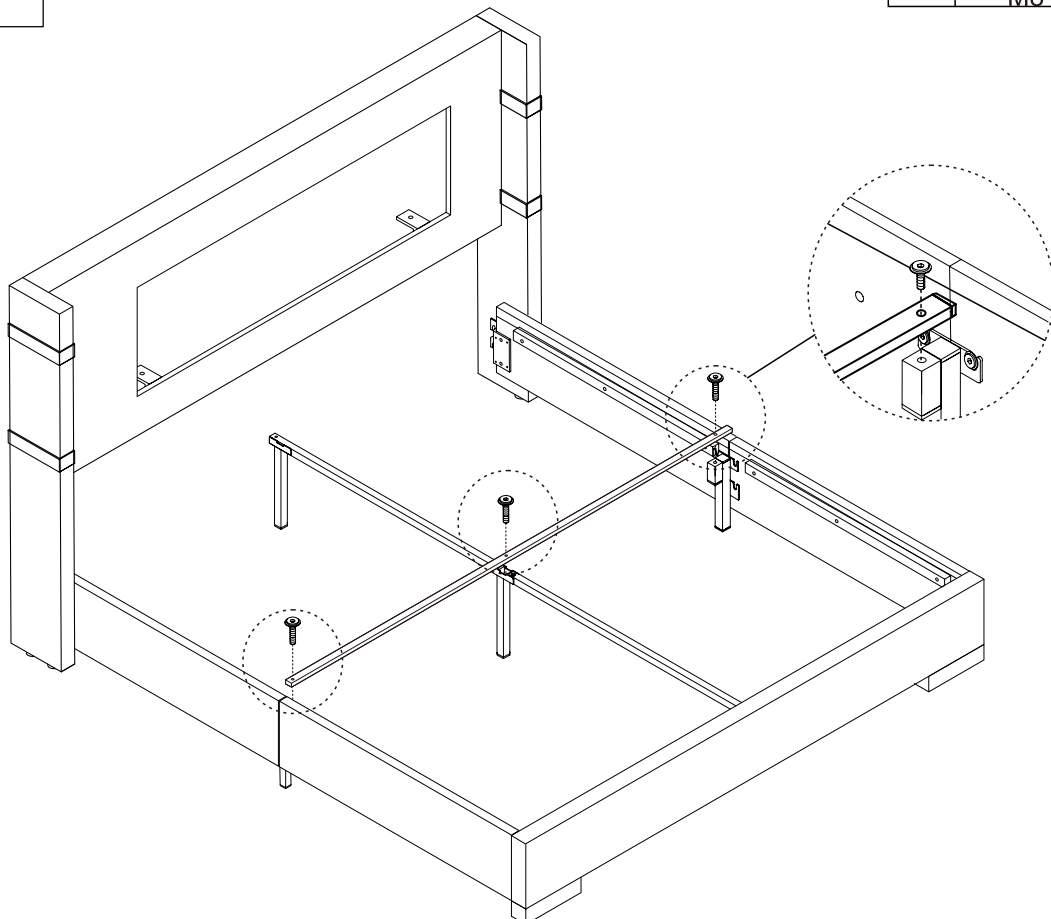


step14

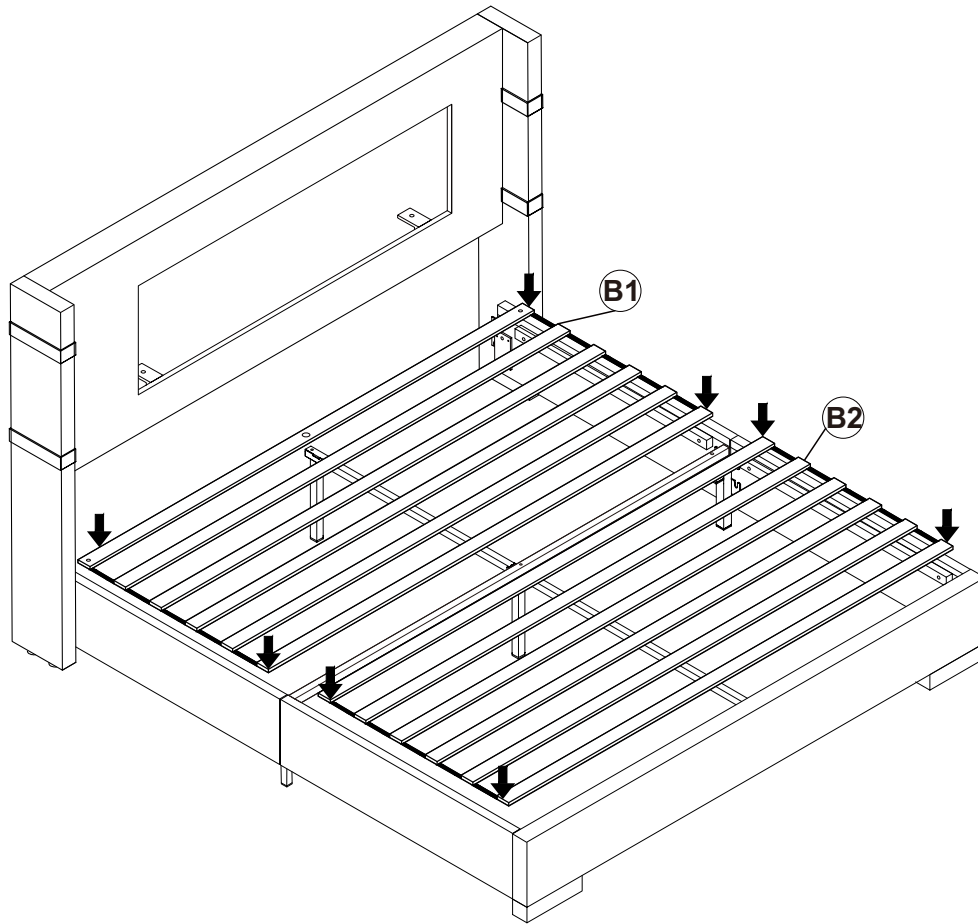
C

M8*35


3PCS

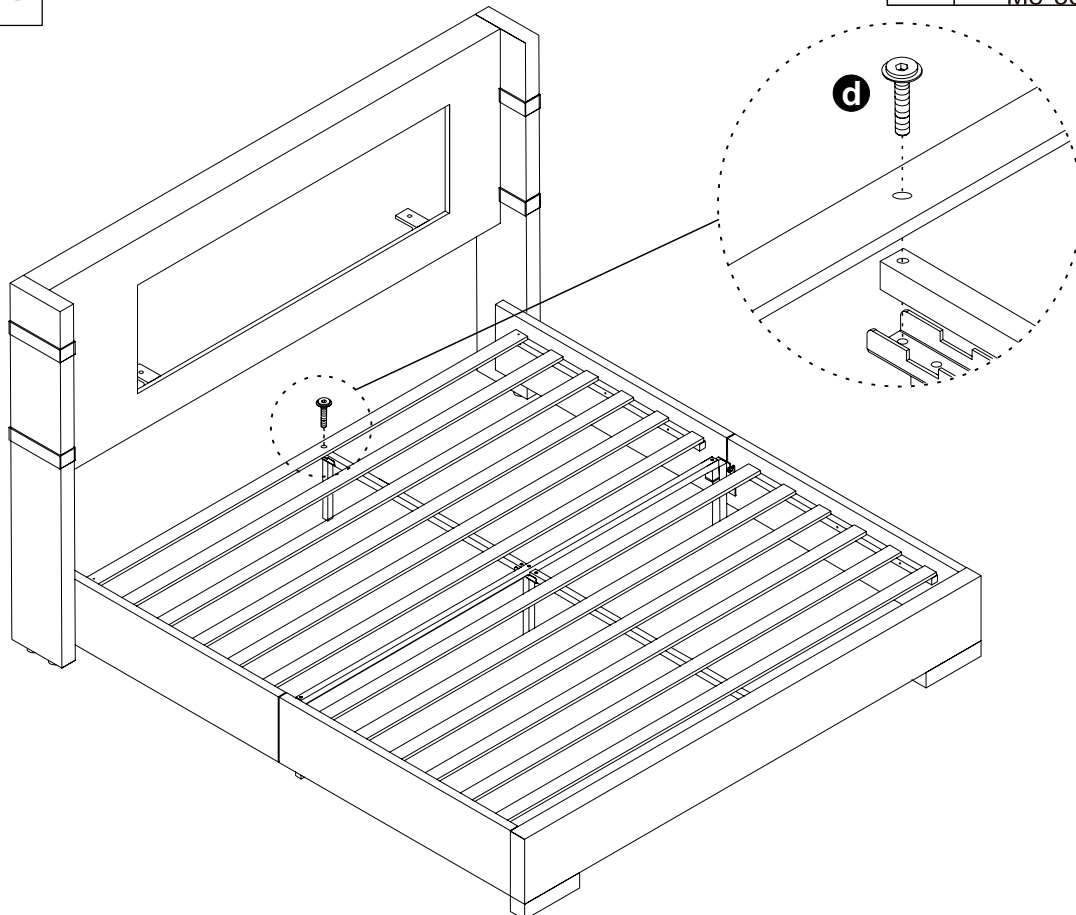


step15

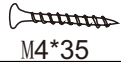



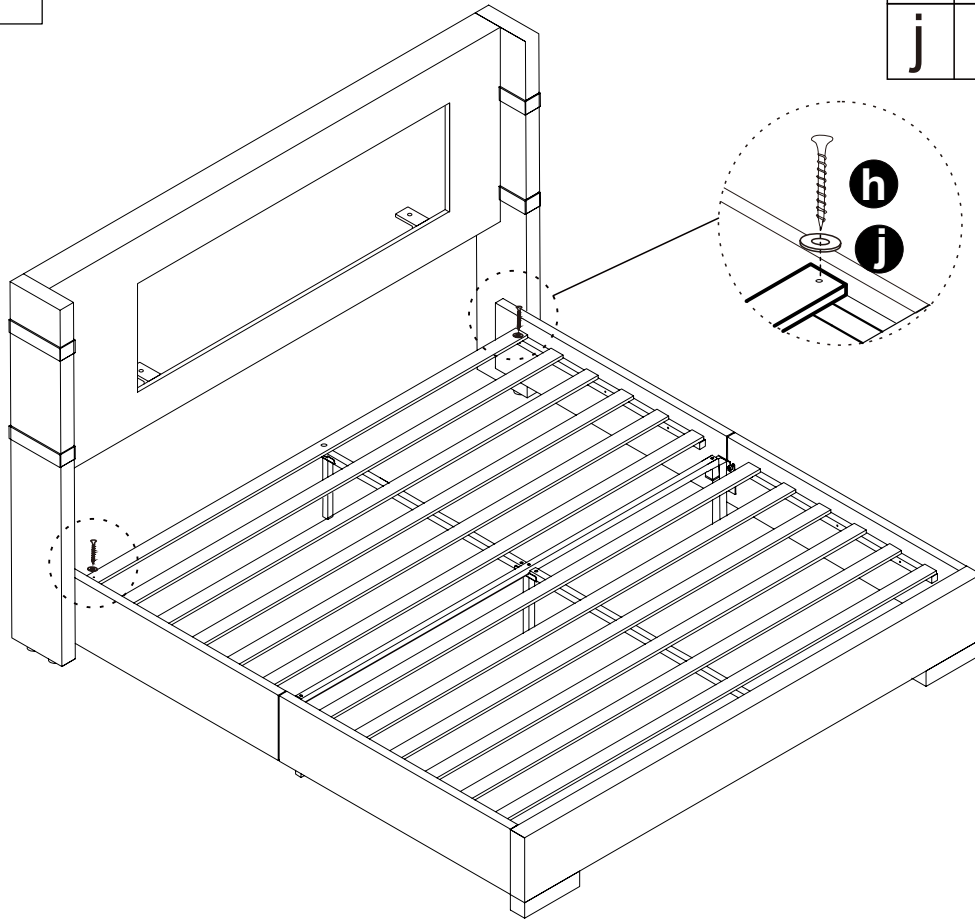
step16

d	 M8*55	1PCS
---	--	------

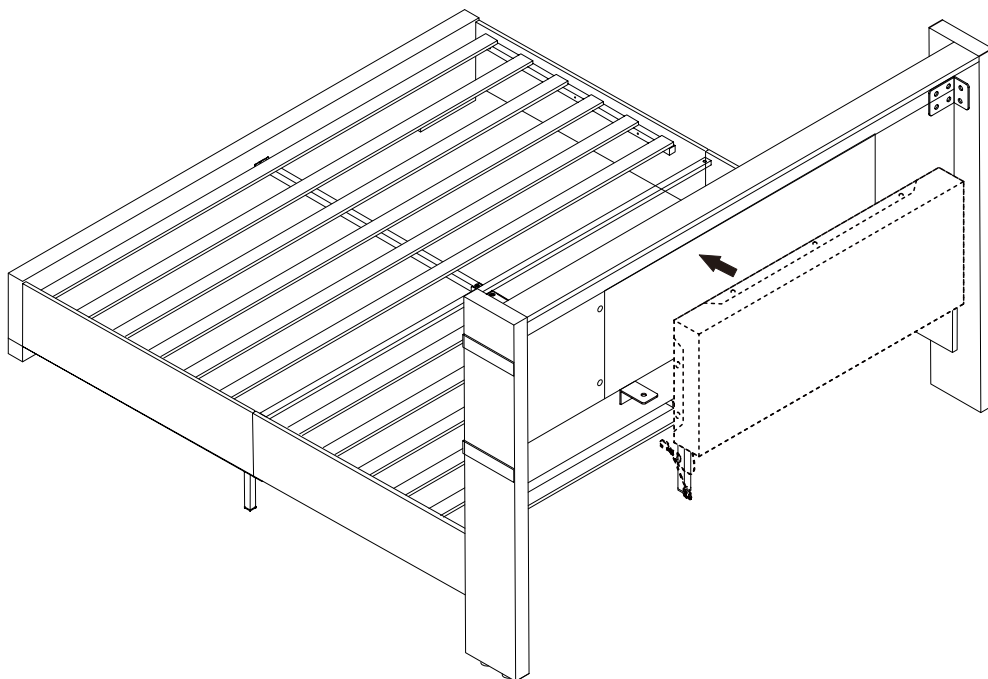


step17

h	 M4*35	2PCS
j		2PCS



step18

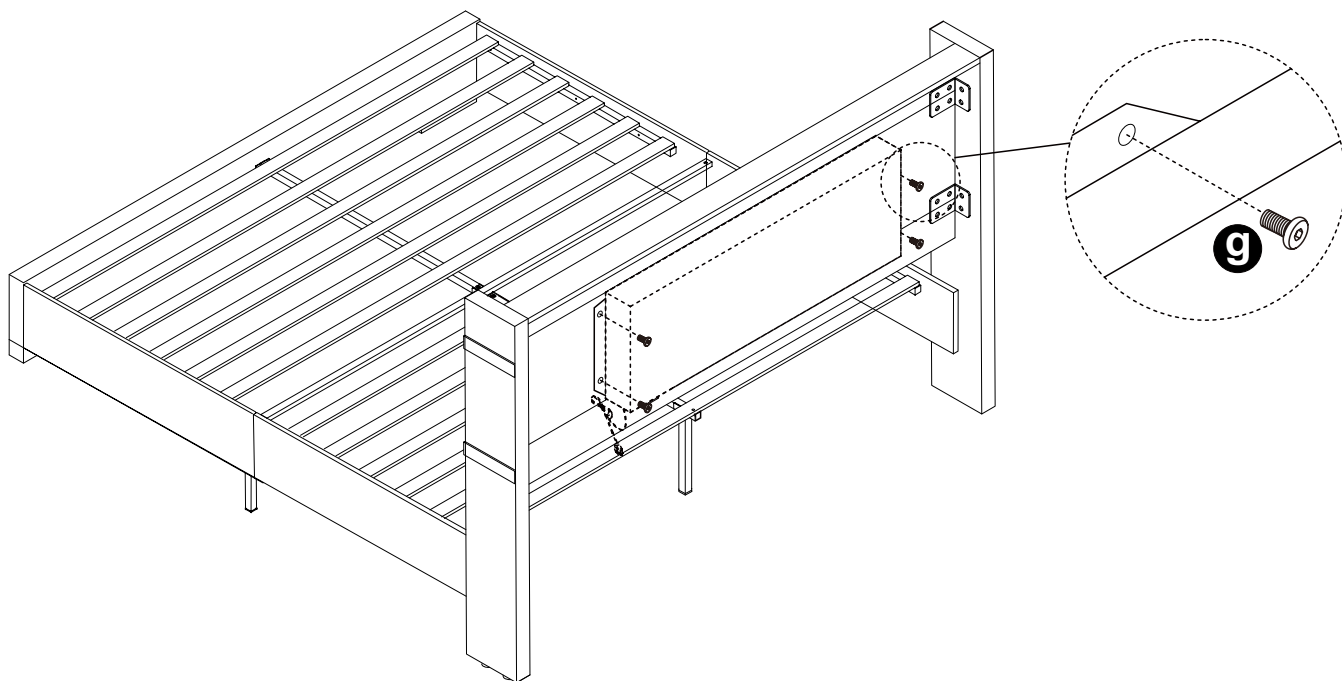


step19

g



10PCS



step20

m



6PCS

j



6PCS

