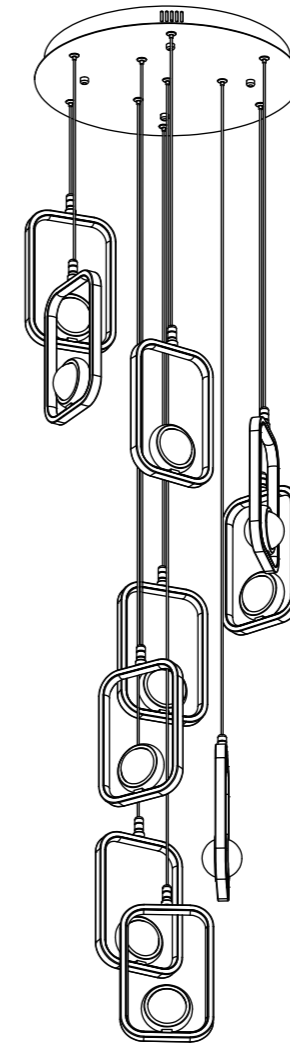


INSTALLATION MANUAL

CHANDELIER

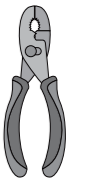
Model No.: LH-6067BL-10A



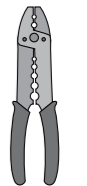
TOOLS REQUIRED



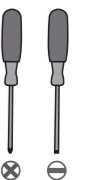
Ladder



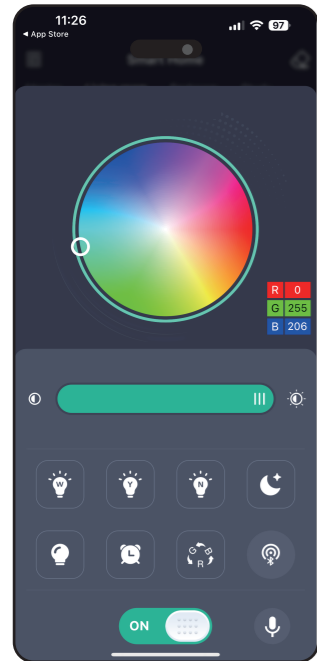
Pliers



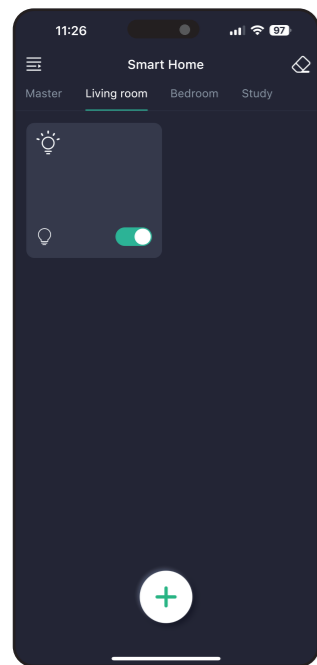
Wire Strippers



Screwdrivers



Swipe the upper part of the page to the left to switch to the RGB lamp control page. (The RGB feature is not supported by this product)
The RGB lamp control page can adjust the color of the RGB lamp. (Not supported)
The RGB lamp control page can adjust the brightness of the RGB lamp. (Not supported)



Unpair button. Click this button within 5 seconds when the device is powered on. If the device flashes or beeps, it means that the phone is unpaired with the device and the phone will not be able to control the device.

Master: Room control page. When there are devices in the room, all the devices in the room can be controlled in this page. As the above example, all the device in the living room can be controlled.

When in the room page, long press the device card you can delete the device or change the device name.

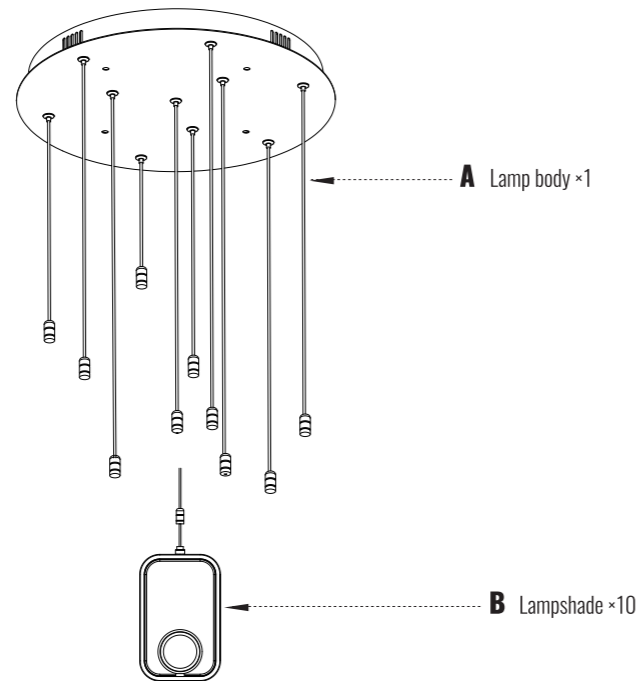


APP Control Applicable

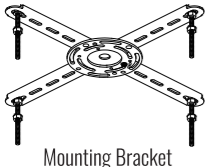
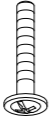
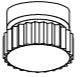






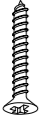


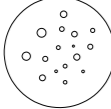




Scan for installation video

PACKING LIST



INSTALLATION KIT

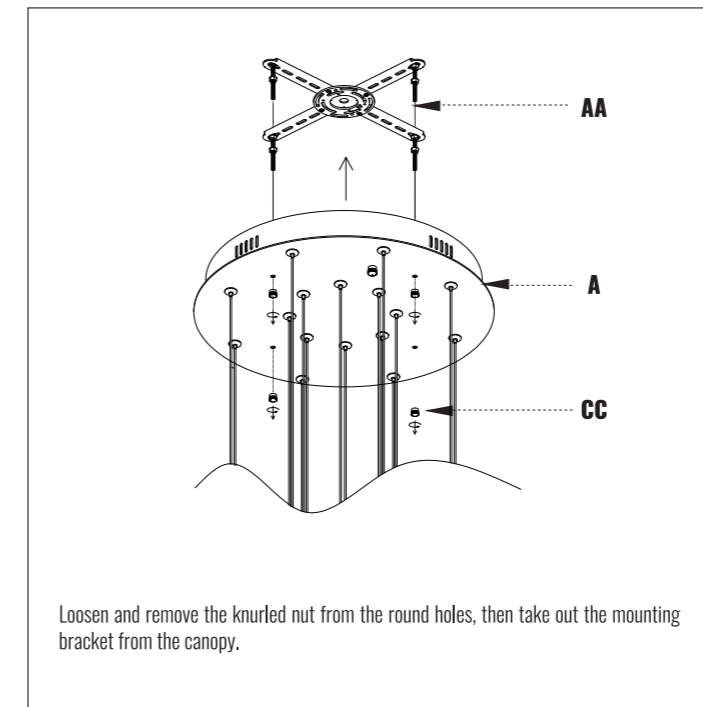
AA	 Mounting Bracket	1×	BB	 Outlet Box Screw	2×	CC	 Knurled Nut	4×
DD	 Ground Screw	1×	EE	 Wire Nut	3×	FF	 Flat Washer	4×
GG	 Long Wood Screw	4×	HH	 Long Plastic Anchor	4×	II	 Short Plastic Anchor	2×
JJ	 Short Wood Screw	2×	KK	 Remote Control	1×	LL	 Remote Control Holder	1×
MM	 Crystal Ball	10×	NN	 Fix Ring	10×	OO	 Gloves	1×

NOTE:

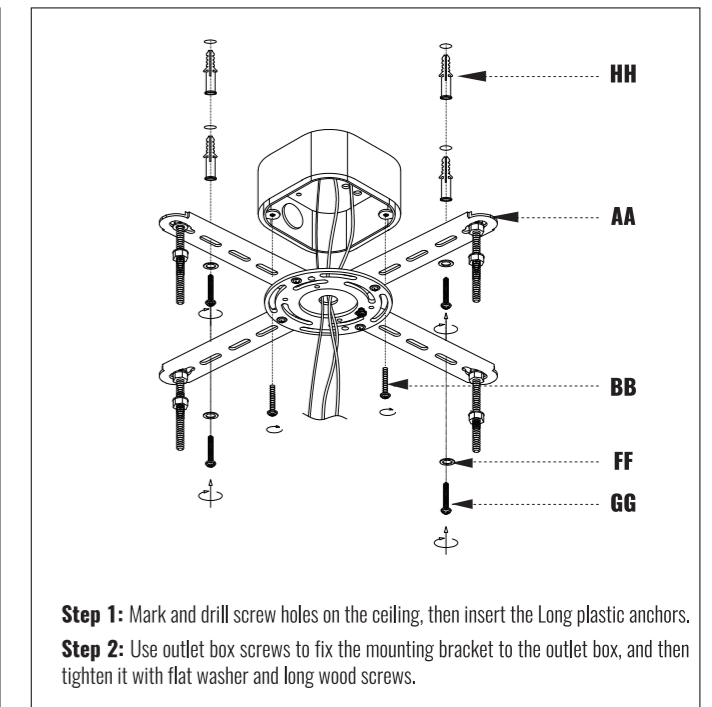
1. DD is pre-installed on AA, AA/CC is pre-installed on A.

MOUNTING AND WIRING

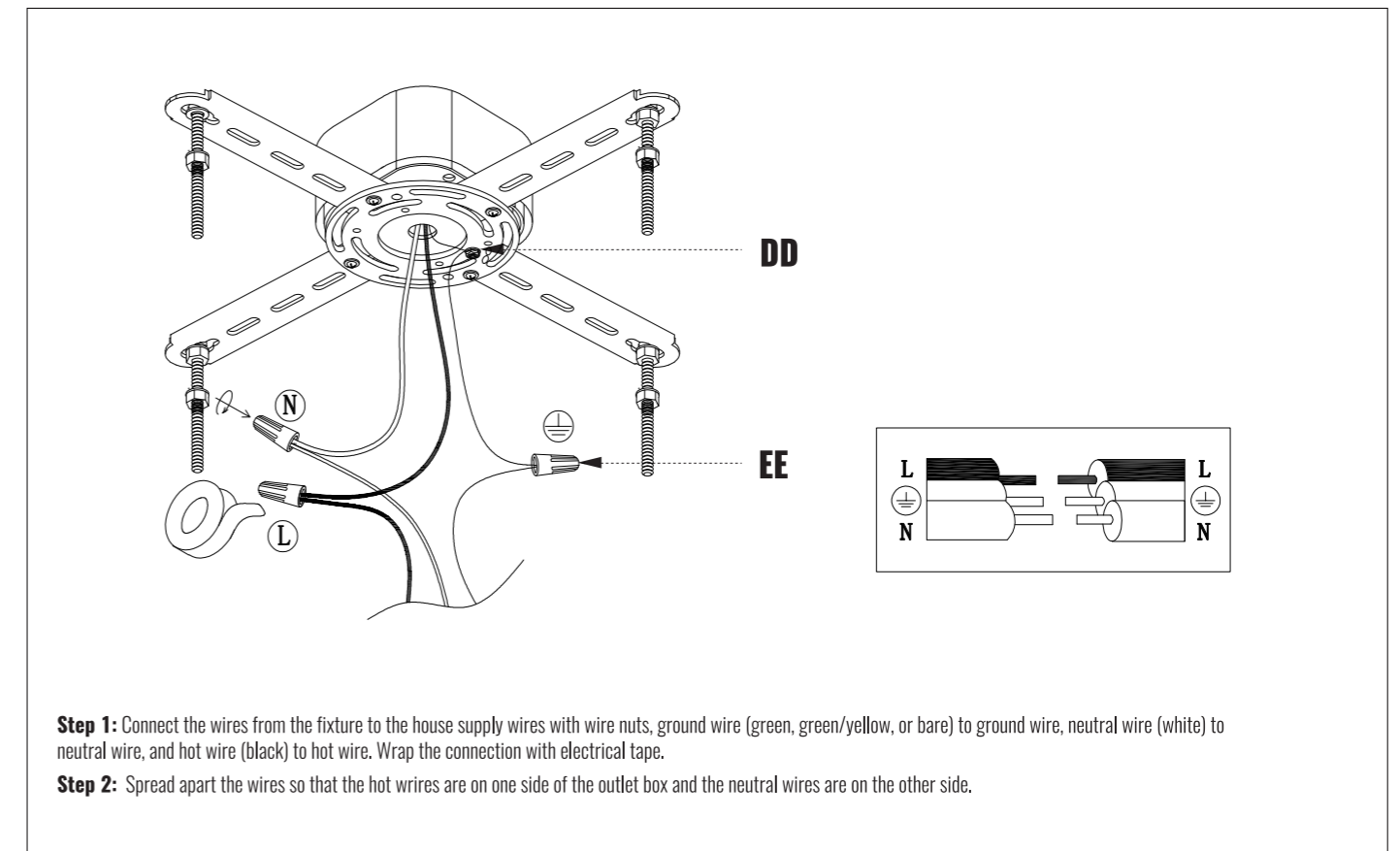
1. Remove Mounting Bracket



2. Fix the Mounting Bracket

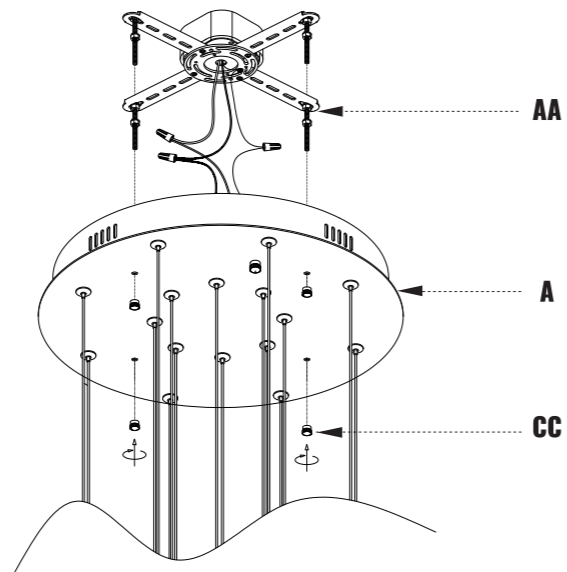


3. Connect the Wires



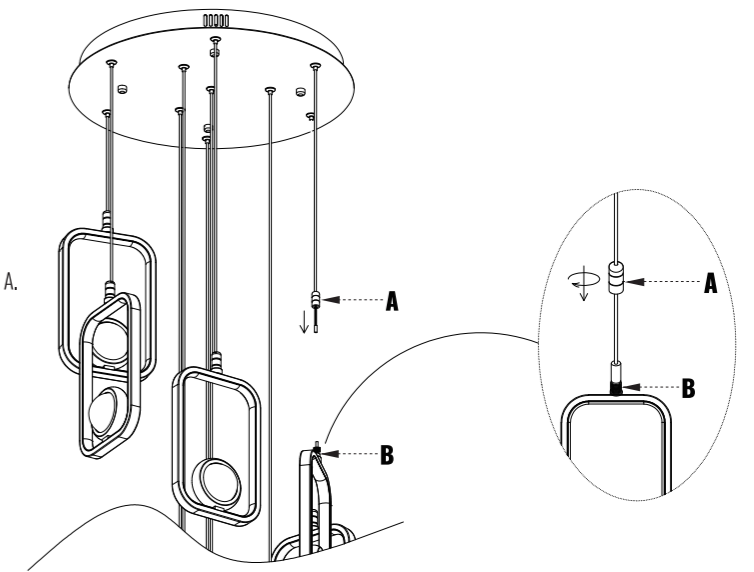
4. Install Canopy

Use knurled nut to secure the canopy to the Mounting Bracket.



2. Install Lamphody

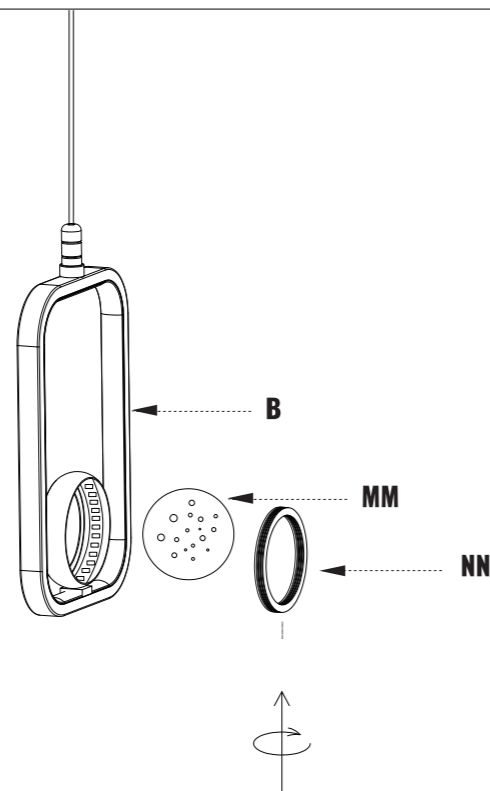
Insert end A into end B, and then tighten it on B with the iron piece on A.



LAMP BODY INSTALLATION

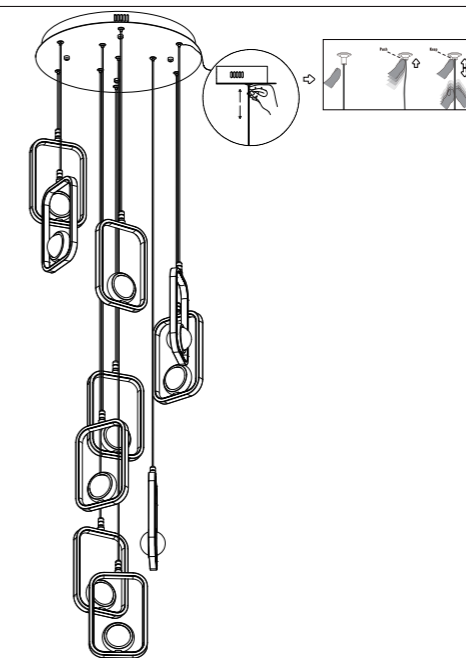
1. Install Lampshade

Use Fix Ring to lock Crystal Ball inside Lampshade.



ADJUSTABLE HEIGHT

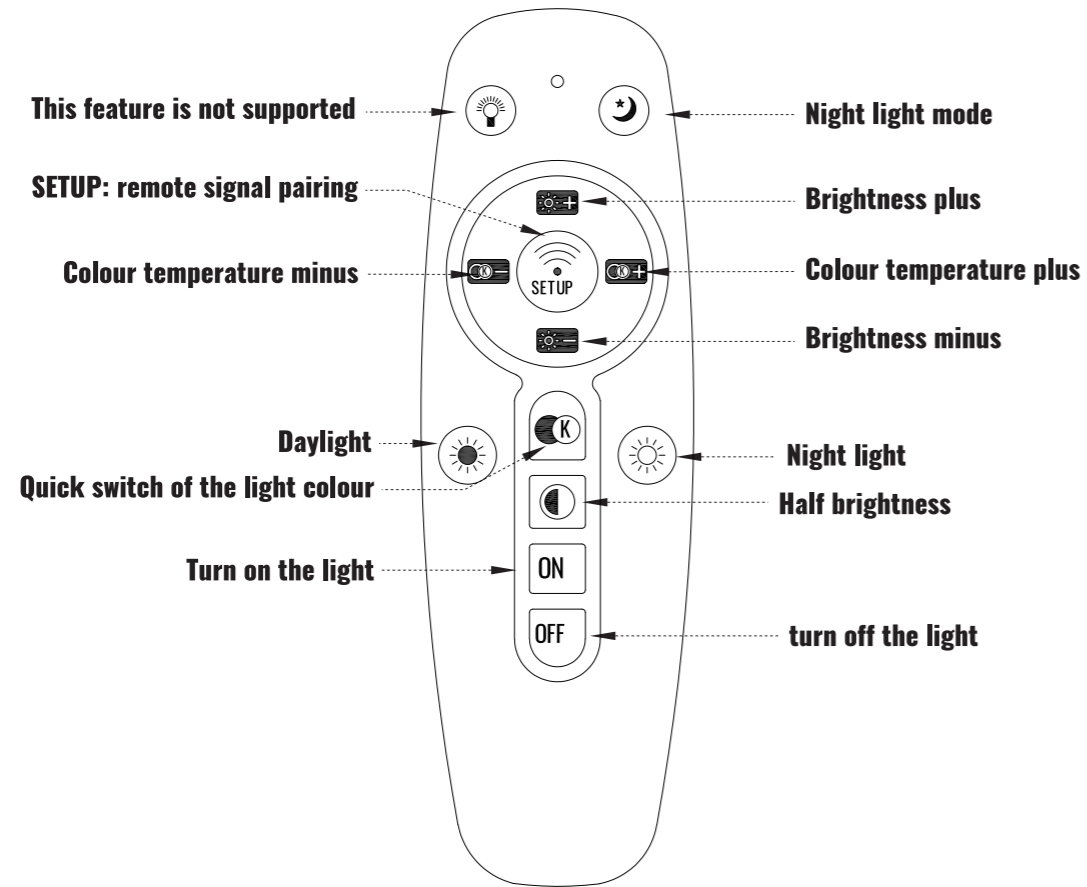
1. Adjustable Height



Step 1: Using the tip of your finger or a fingernail, push the pin embedded in the ceiling canopy. This action will release the cable locking mechanism.

Step 2: While keeping the pin in its depressed position, gently pull downward (or push upward) on the cable. Repeat this process for each cable to adjust the height of the fixture as needed.

REMOTE CONTROL INSTRUCTIONS



NOTE:

**Please insert 2 batteries before using.
AAA 1.5V battery x 2pcs (not included)**

- ① : Turn on the light.
- ② : Turn off the light.
- ③ ④ : Change the color temperature of the light.
- ⑤ ⑥ : Change the brightness of the light.
- ⑦ : Night mode: Dim the light.
- ⑧ : Switch the light among "warm white, white, cool white" three colors.
- ⑨ : This button is non functional.
- ⑩ : Press once for a 0.5-hour timer, the indicator light will blink once; Press twice for a 1-hour timer, the indicator light will blink twice.

REMOTE SIGNAL PAIRING:

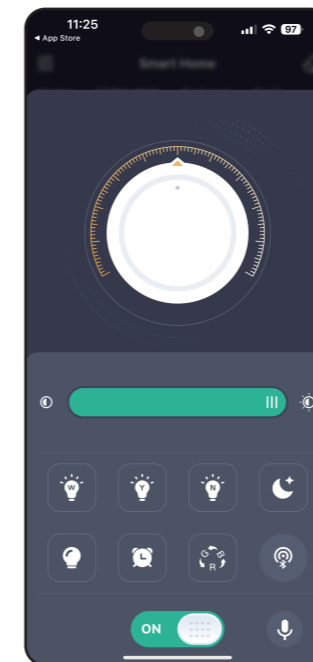
If the remote control loses signal of the light, turn off the power from wall switch, then turn it on, press ① immediately for around 3 seconds, the light will slowly flash 3 times, indicating successful pairing.

APP CONTROL INSTRUCTIONS



APP Control Applicable

Install the "Lamp Smart Pro" App from Google Play, Apple App Store, or other App Stores by scanning the QR code or searching for the App name. Ensure that your phone is connected to the internet and Bluetooth enabled.



	Pair button. Click this button within 5 seconds after the device is powered on. If the device flashes or beeps, it means that the phone has been successfully paired with the device, and then the device can be controlled through the application.
	The state of the lamp can be adjusted by voice commands. Currently only Chinese and English are supported.
	Change the color temperature of the light.
	Change the brightness of the light.
	After clicking the light color will change in a cycle. (Not supported)
	Click to select a time to turn off the device.
	Click to turn on the auxiliary light. (Not supported)
	Night mode. The white light and the yellow light will light up at the same time, but only at 10% of the maximum brightness.
	When clicked, the white light and yellow light will light up at the same time, and the brightness will be the maximum brightness.
	When clicked, only yellow light will light up, and the brightness will be the maximum brightness.
	When clicked, only white light will light up, and the brightness will be the maximum brightness.