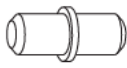


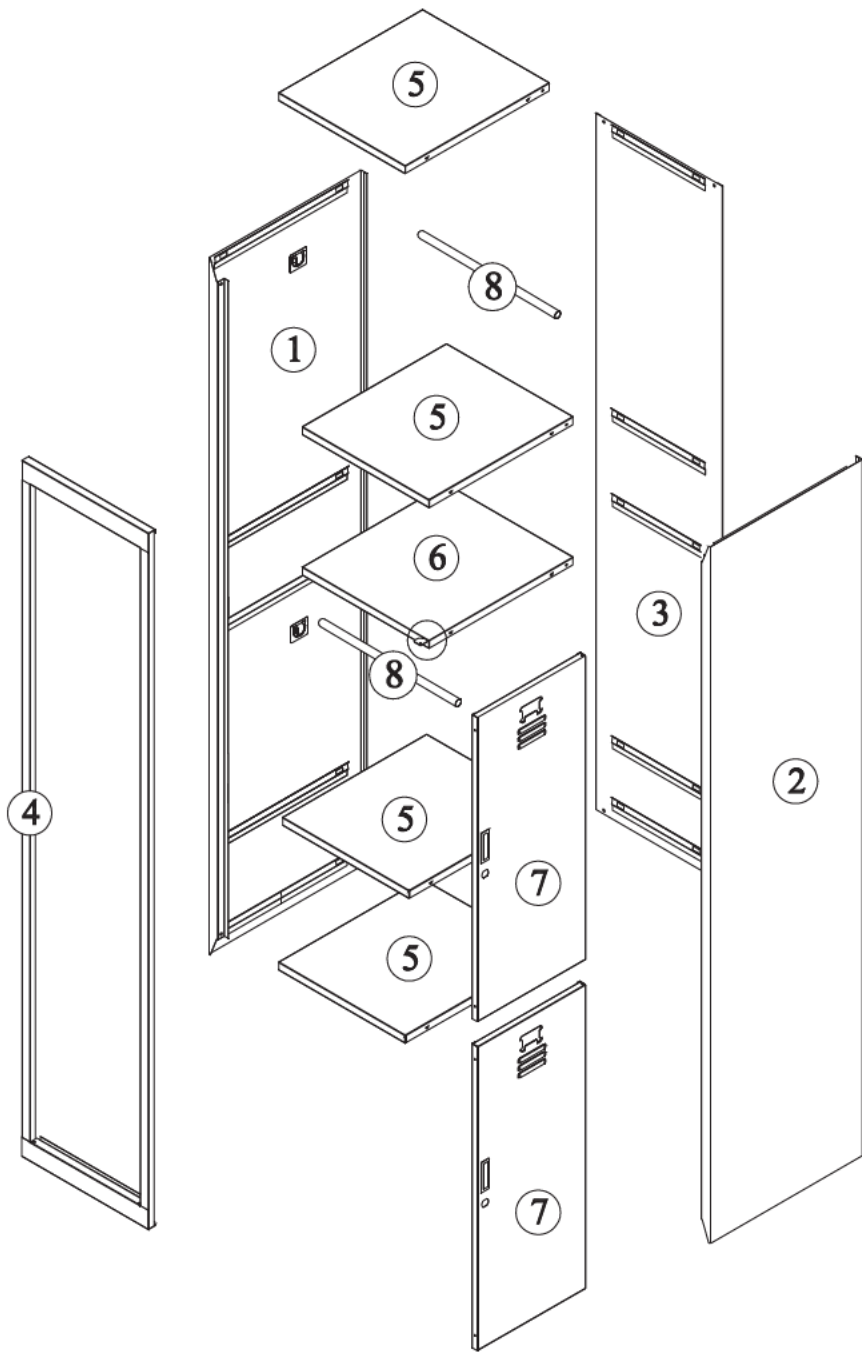
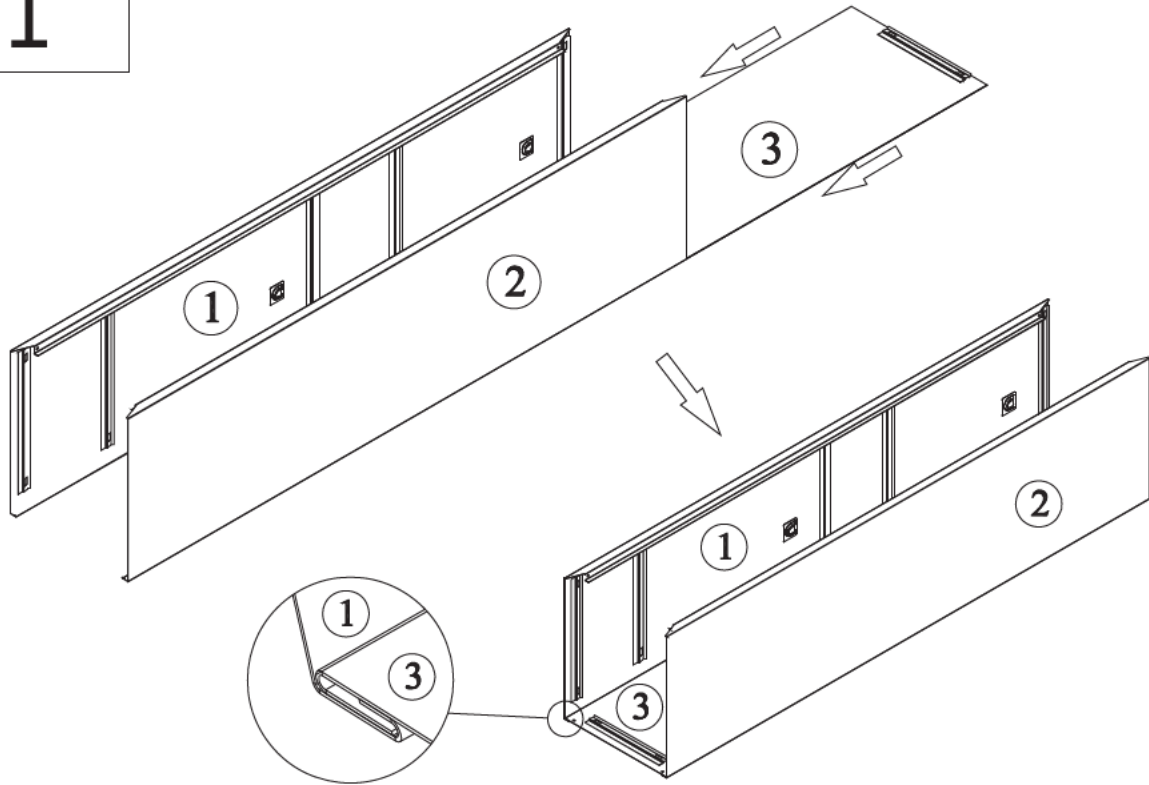


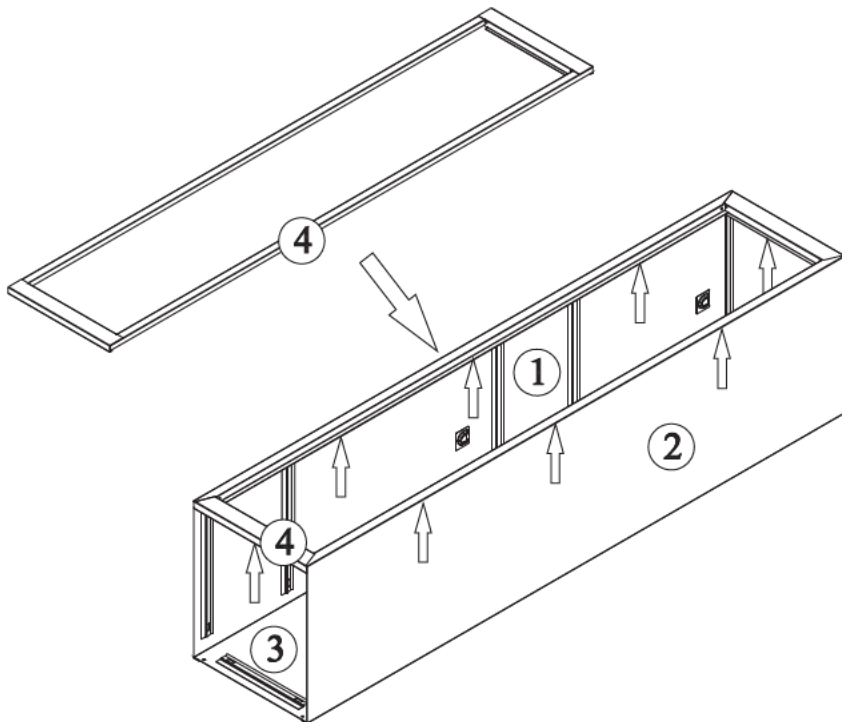
| A | x1 | B | x2 | C | x2 |
|---|----|---|----|---|----|
|  | |  | |  | |



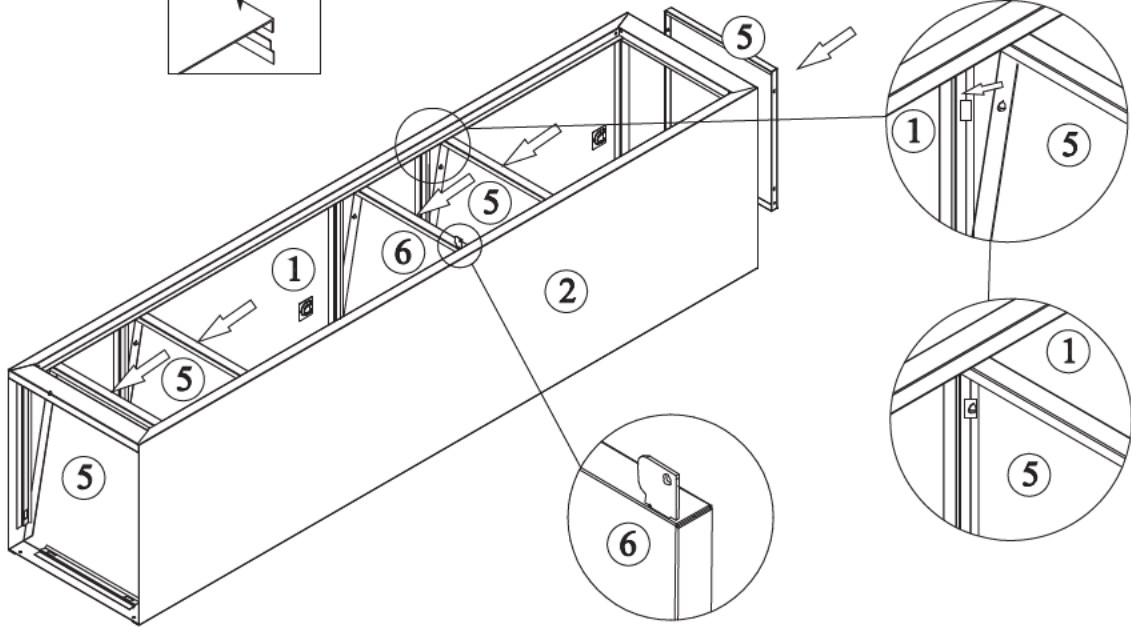
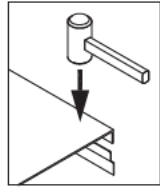
1



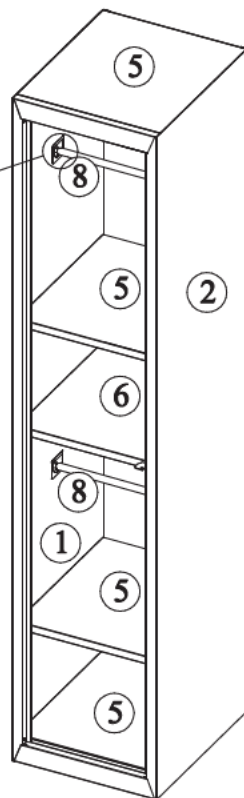
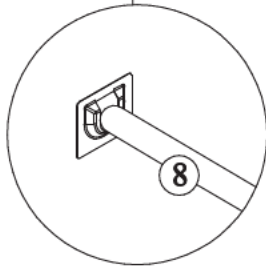
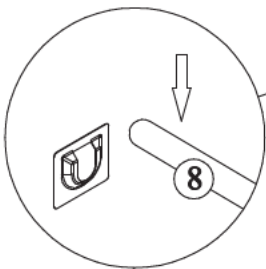
2



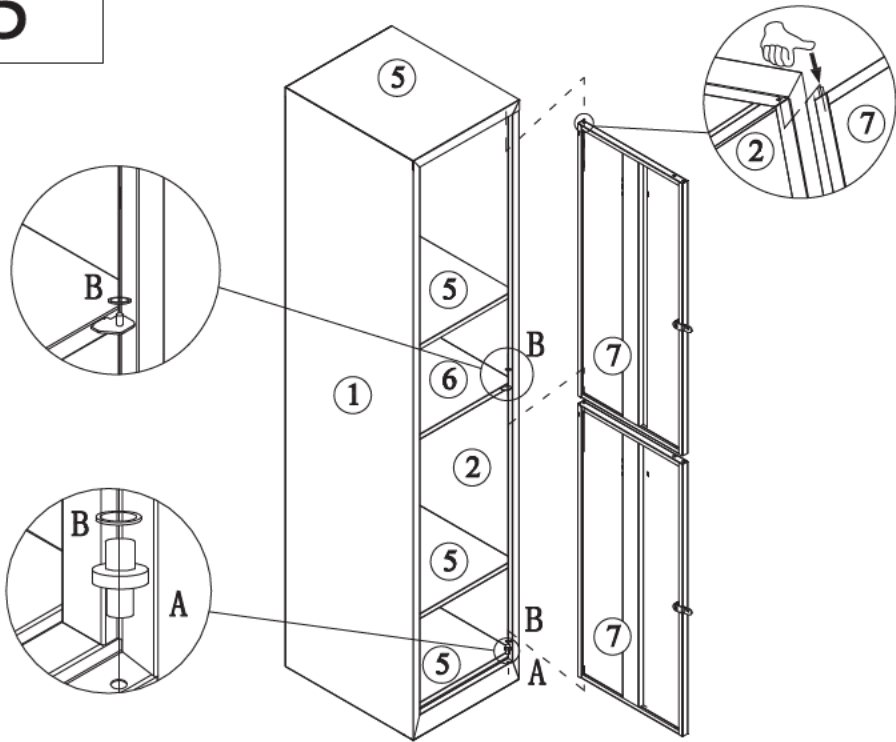
3



4



5

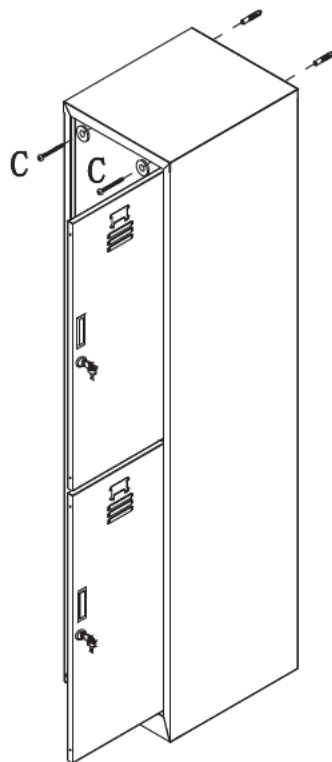


Ax1



Bx2

6



Cx2