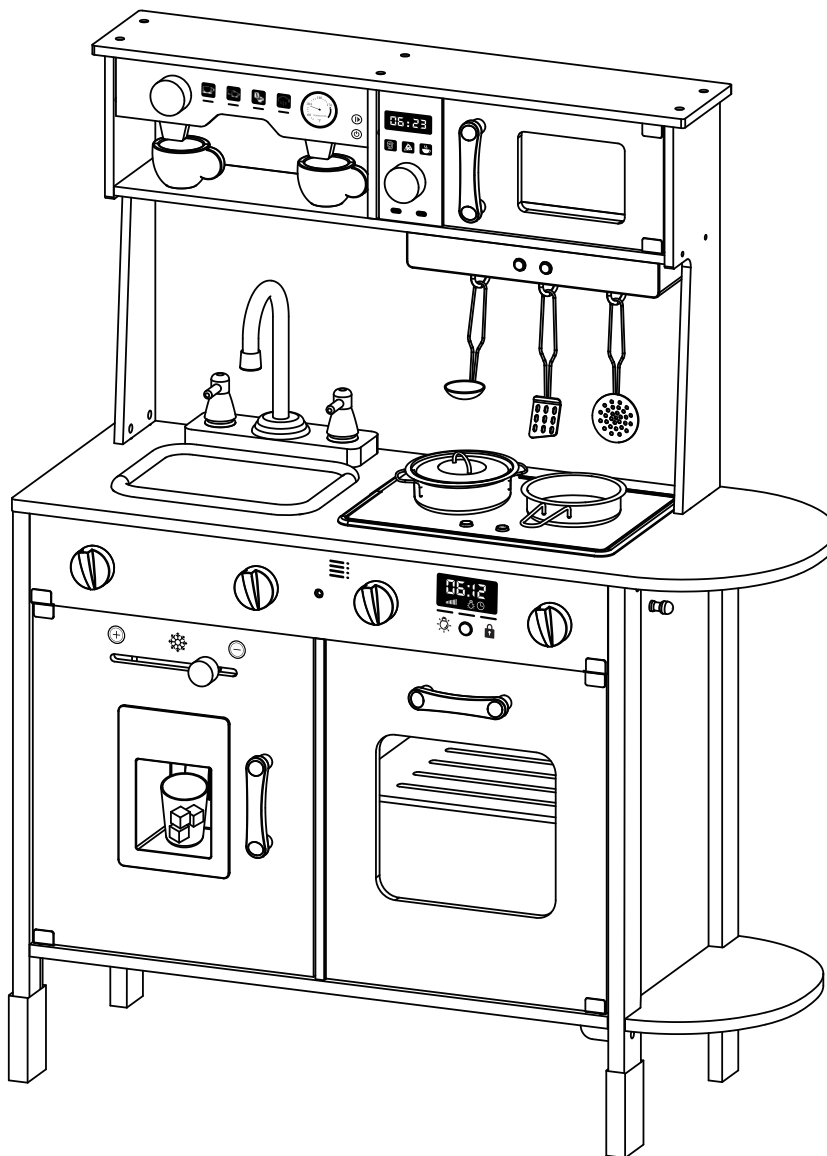


PLAY KITCHEN

Instruction manual

PK-010

Please scan the QR code above for installation video!



E-mail Service : bierumbaby@hotmail.com

Please read and keep the manual properly, it contains important information.



WARNING

ADULT ASSEMBLY REQUIRED



WARNING

CHOKING HAZARD-Small parts.

Not for children under 3 years old.

MAINTENANCE INSTRUCTIONS

1. To clean the toy, wipe it with a soft, slightly moist cloth.
2. Never use corrosive detergents, wire brushes, abrasive scourers, or metal or sharp utensils to clean the toy.
3. Regularly check that all the components and fasteners are tightened.
4. Remove the batteries before storage. Store the toy in a cold and dry place

⚠ WARNING

1. Install with this side *AWAY* from children and pets, it contains small parts. It must be assembled by adults before being handed over to children.
 2. This product is intended for indoor use only.
 3. Do not stand on or use any part of this item as a step ladder.
 4. Firmly secure all bolts, screws, and knobs before use. (Use caution not to over-tighten screws or they will not hold parts together appropriately)
 5. Do not use or store this item in the proximity of open flame or flammable/combustible chemicals.
 6. If any parts are missing, broken, damaged, or worn, stop using this item until repairs are made and/or factory replacement parts are installed.
 7. Do not use this item in a way inconsistent with the manufacturer's instructions as this could void the product warranty.
 8. **MAKE SURE** the surface of the product is dry and free of foreign objects
- AGE RANGE: 3 years old and up

BATTERY WARNINGS



DANGER

Risk of explosion!

Risk of explosion if the battery is replaced by an incorrect type.

Please strictly observe the following use warnings, misuse or abuse may result in leakage, rupture, or fire, and may cause personal injury.

- Do not mix old and new batteries.
- Do not mix different types of batteries.
- Insert batteries with the correct polarity.
- Remove exhausted batteries from the toy.
- Follow the battery manufacturer's warnings and recommendations.
- Never attempt to recharge primary batteries.
- Never short circuit batteries as this may lead to high temperatures, leakage, or rupture.
- Never heat batteries to revive them.
- Remember to switch off the toy after use.
- Never attempt to disassemble, crush, puncture, or open batteries.
- Keep batteries out of the reach of children, especially small batteries that could be easily ingested.
- Clean the battery contacts and also those of the device before battery installation.
- Remove batteries from the toy that is not to be used for an extended period. Remove used batteries promptly.

BEFORE FIRST USE



DANGER

Risk of suffocation!

Keep any packaging materials away from children and pets-these materials are a potential source of danger, e.g. suffocation.

- Remove all the packing materials.
- Remove and review all components before starting assembly.
- Check the toy for transport damages.

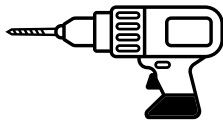
⚠ ATTENTION

- This page lists the contents included in the box. Please take time to identify the hardware as well as the individual components of the product.
- As you unpack and prepare for assembly, place the contents on a carpeted or padded area to protect them from damage.
- Please follow the assembly instructions closely. Improper assembly can result in personal or property damage

TOOLS REQUIRED



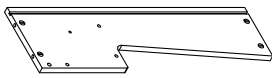
SCREWDRIVER



DRILL

PARTS

1



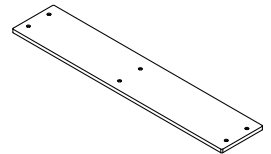
1pc

2



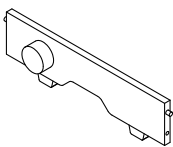
1pc

3



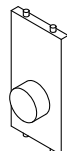
1pc

4



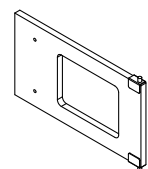
1pc

5



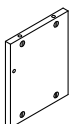
1pc

6



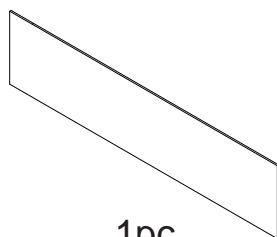
1pc

7



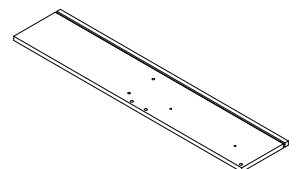
1pc

8



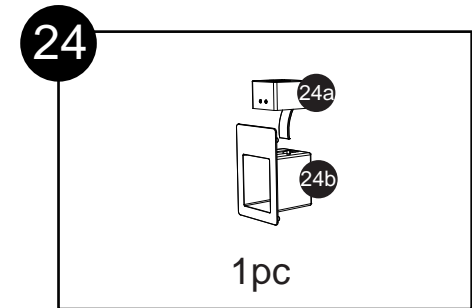
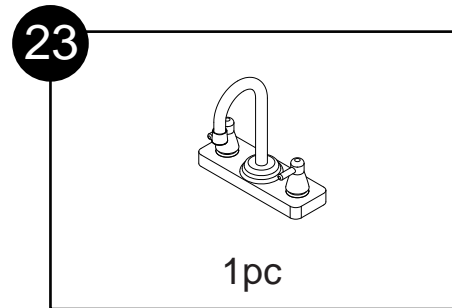
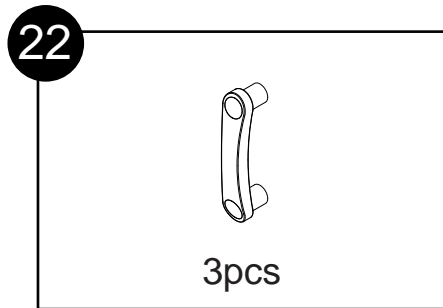
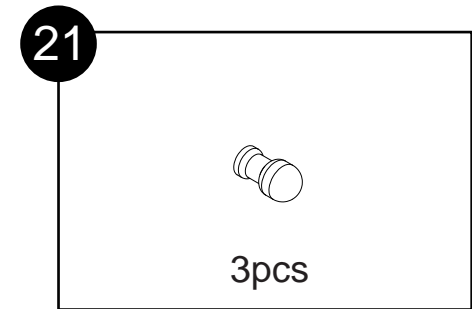
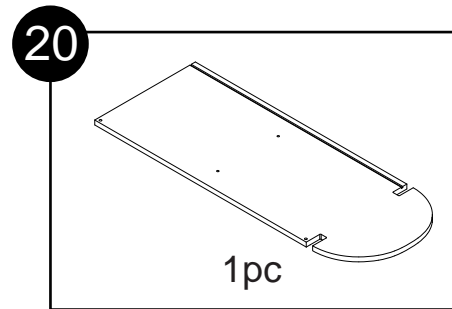
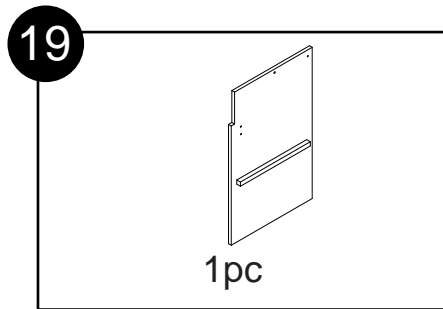
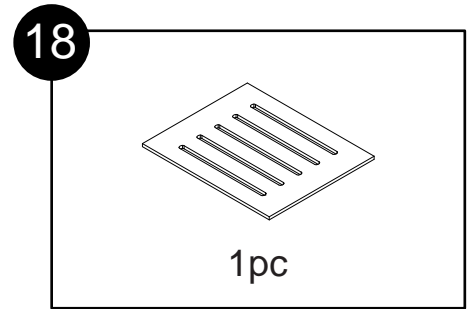
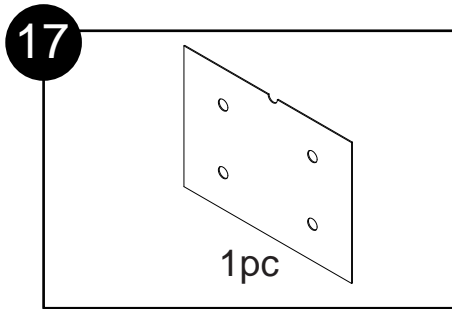
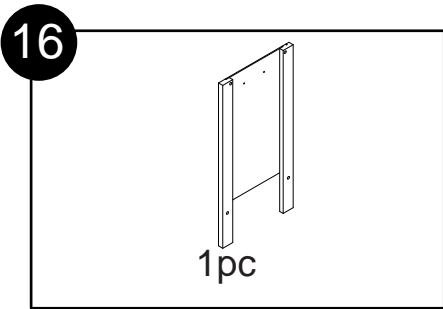
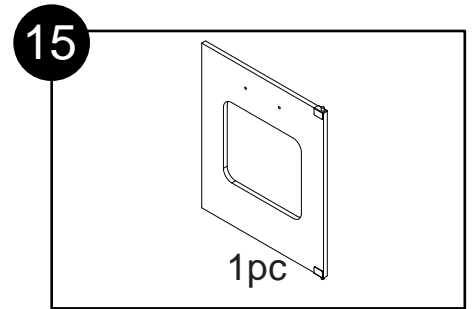
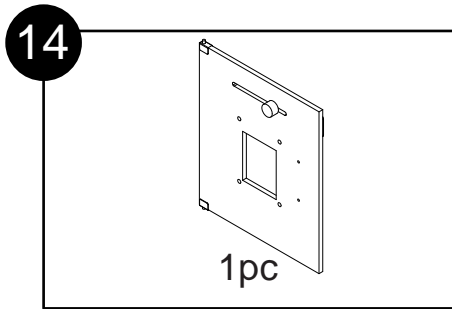
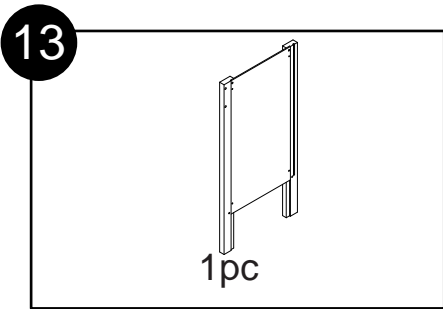
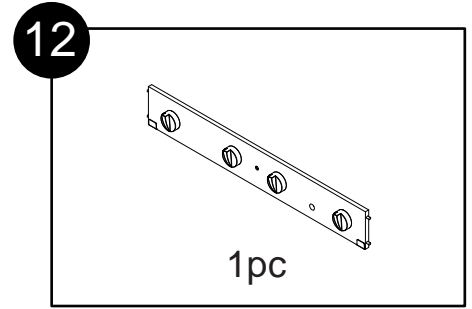
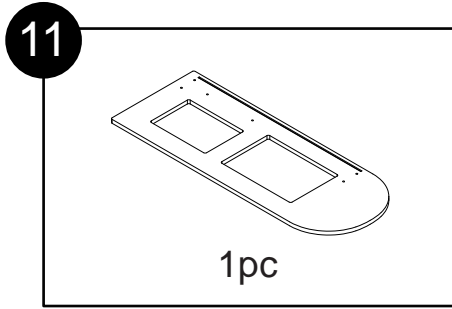
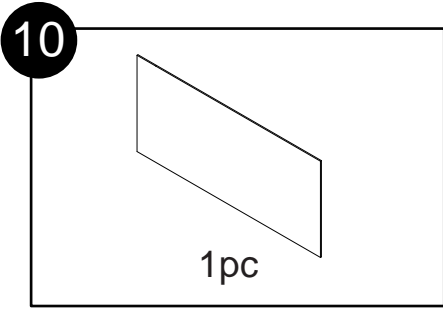
1pc

9

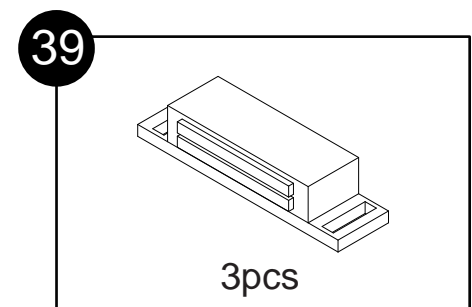
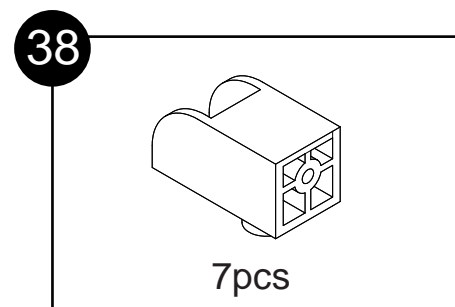
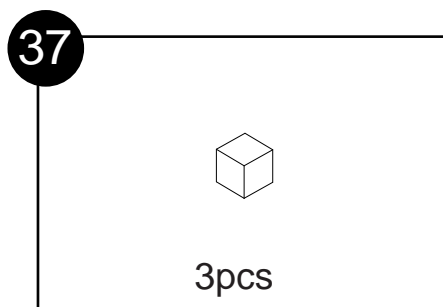
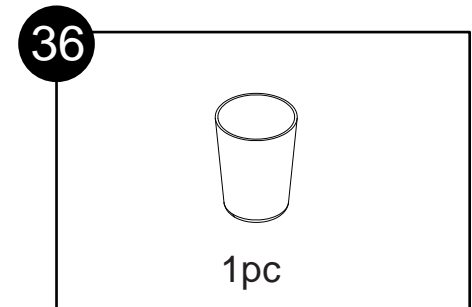
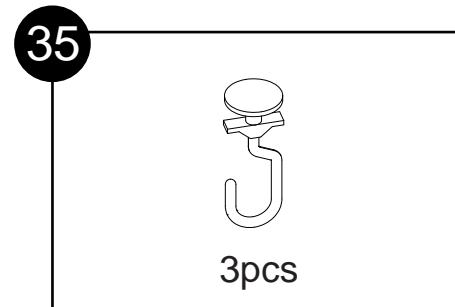
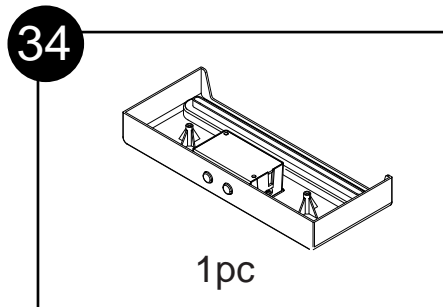
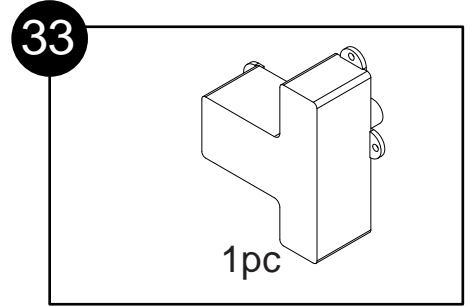
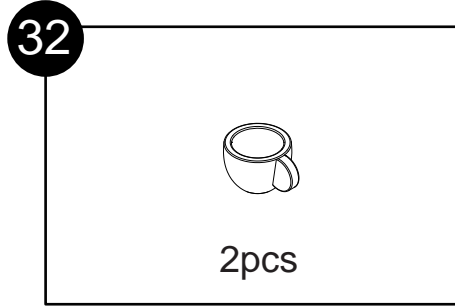
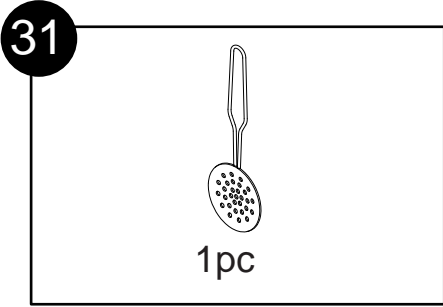
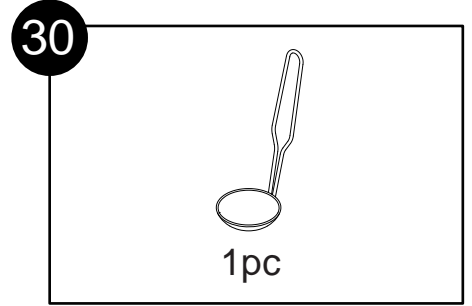
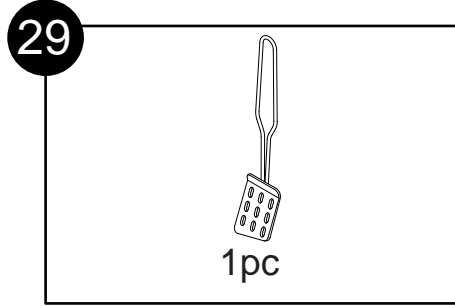
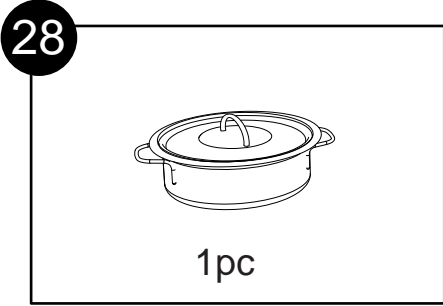
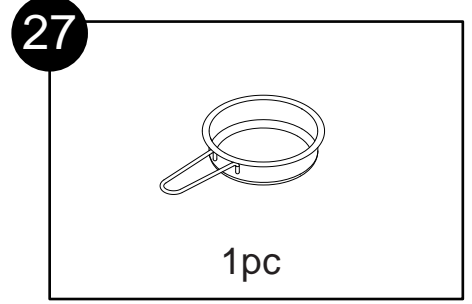
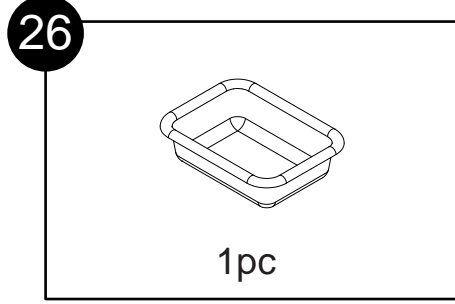
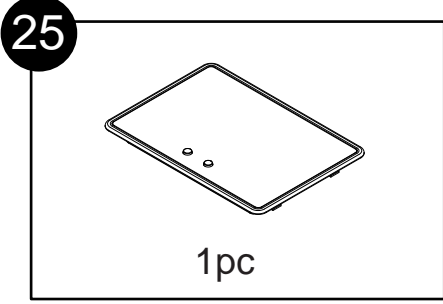


1pc

PARTS




PARTS



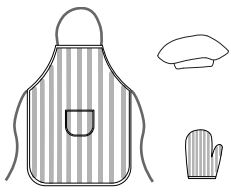
PARTS

40




4pcs

41



1pc


42



10pcs

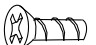
HARDWARE

A M4X8MM



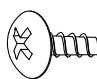
4pcs

B M3X8MM



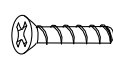
3pcs

C M4X10MM



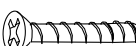
7pcs

D M3X12MM




10pcs

E M3X16MM



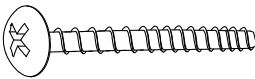
3pcs

F M4X20MM




8pcs

G M3.5X35MM



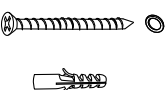
30pcs

H



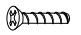
1pc

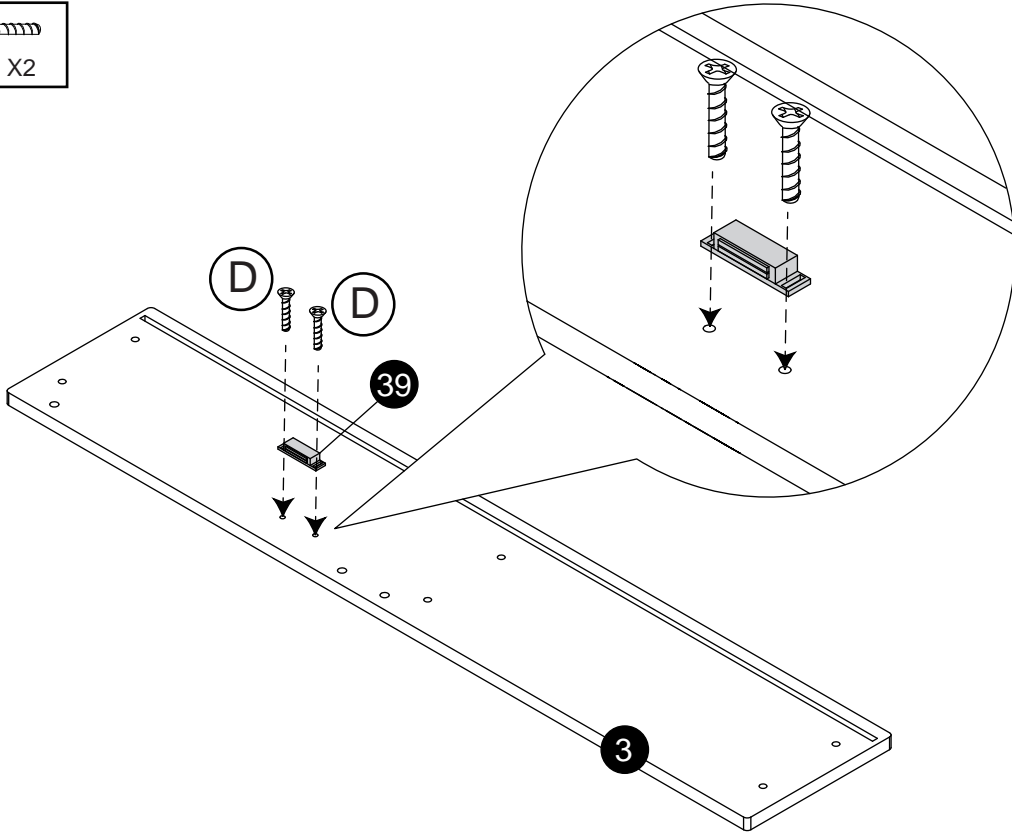
I



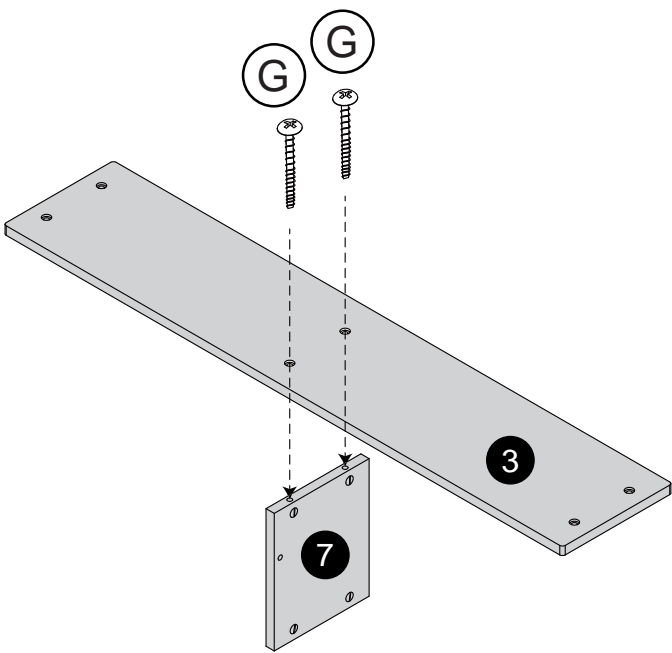
1pc

INSTALLATION STEPS

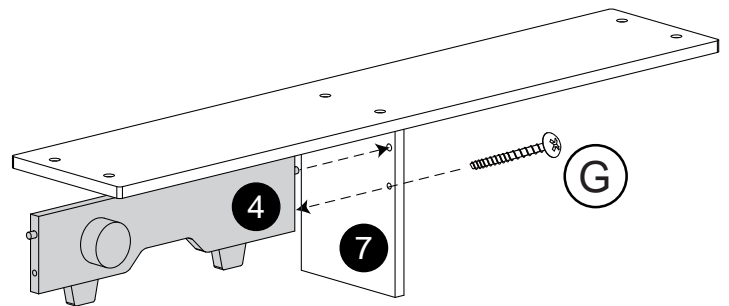
STEP 1  **D X2**



STEP 2  **G X2**

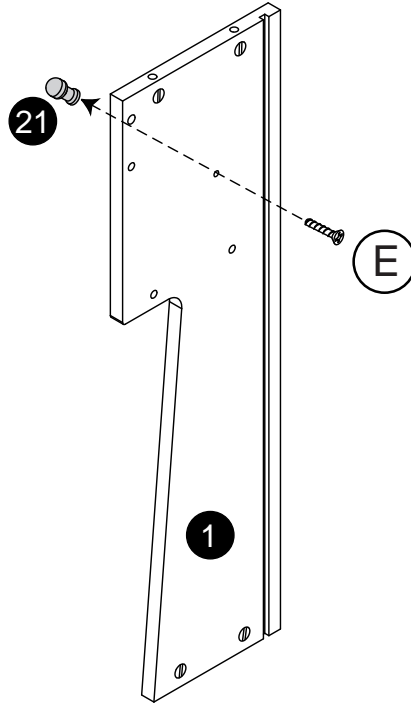


STEP 3  **G X1**

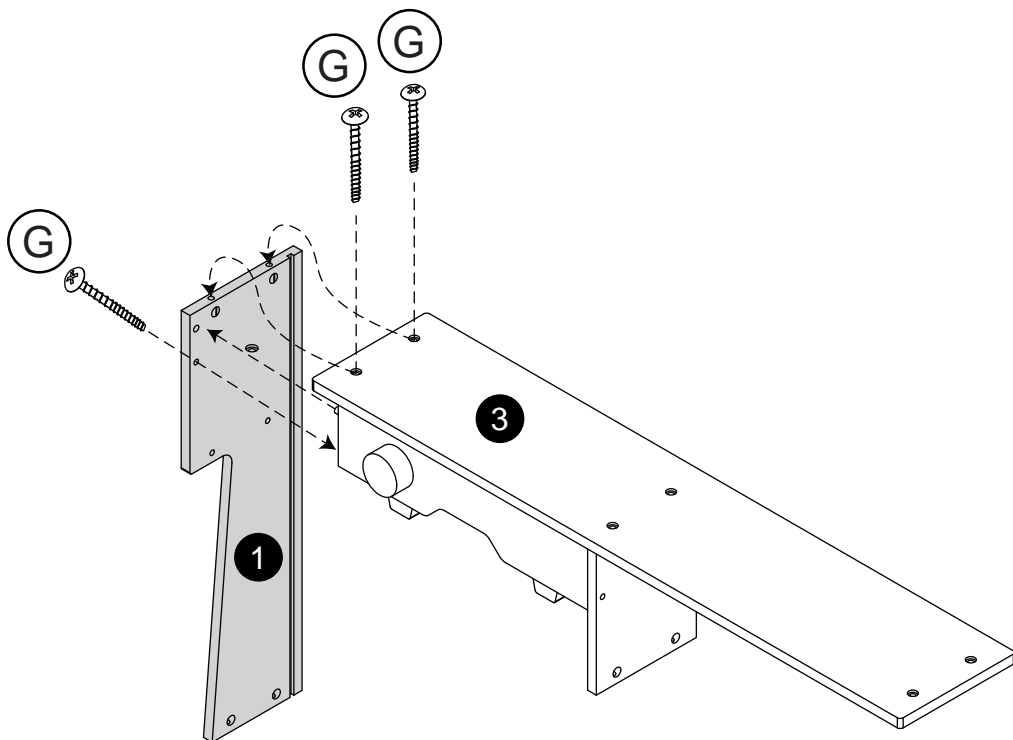


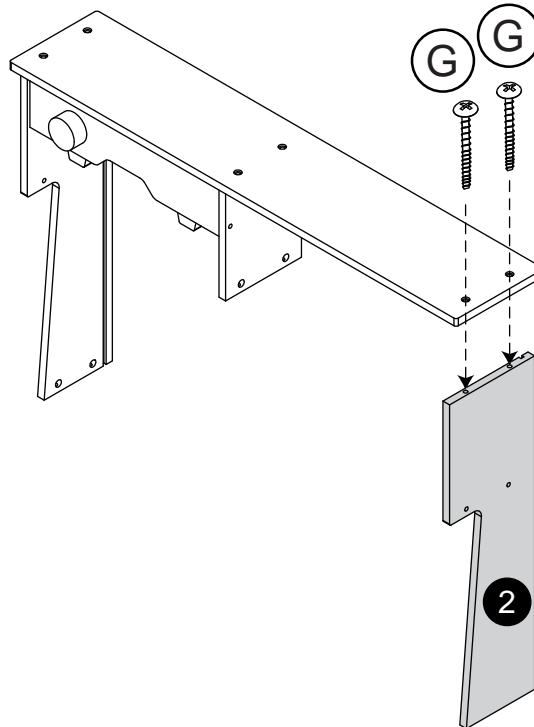
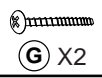
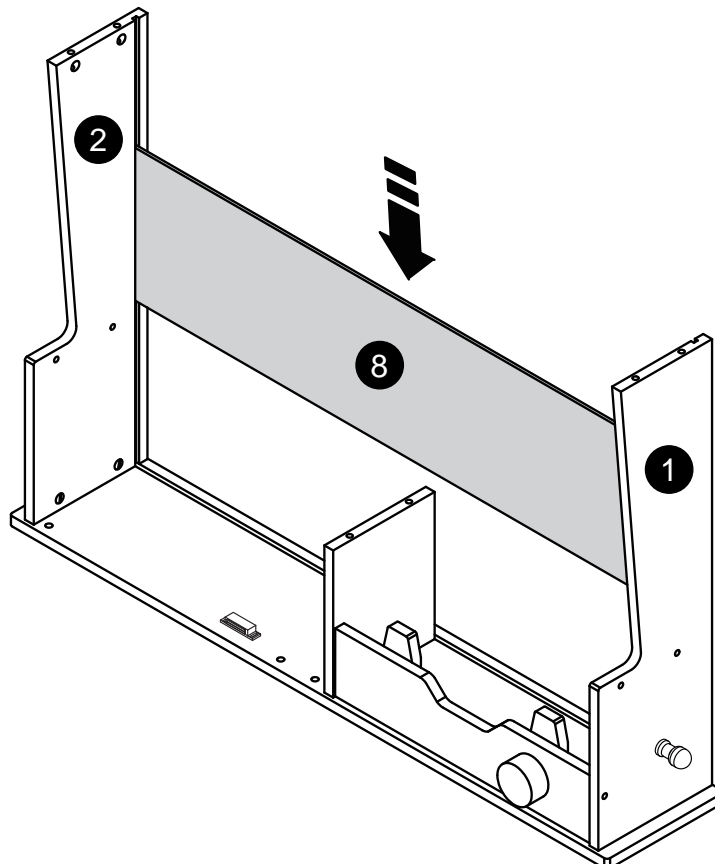
INSTALLATION STEPS

STEP 4 
E X1



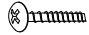
STEP 5 
G X3



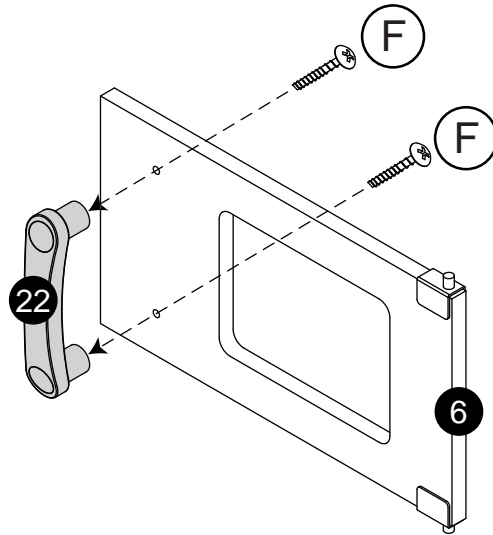
INSTALLATION STEPS**STEP 6****STEP 7**

INSTALLATION STEPS

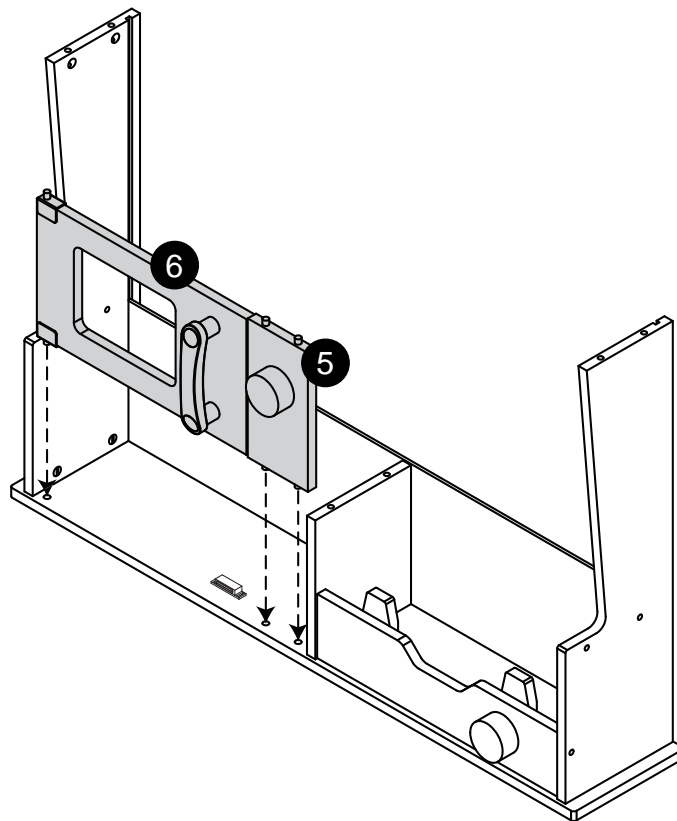
STEP 8



F X2

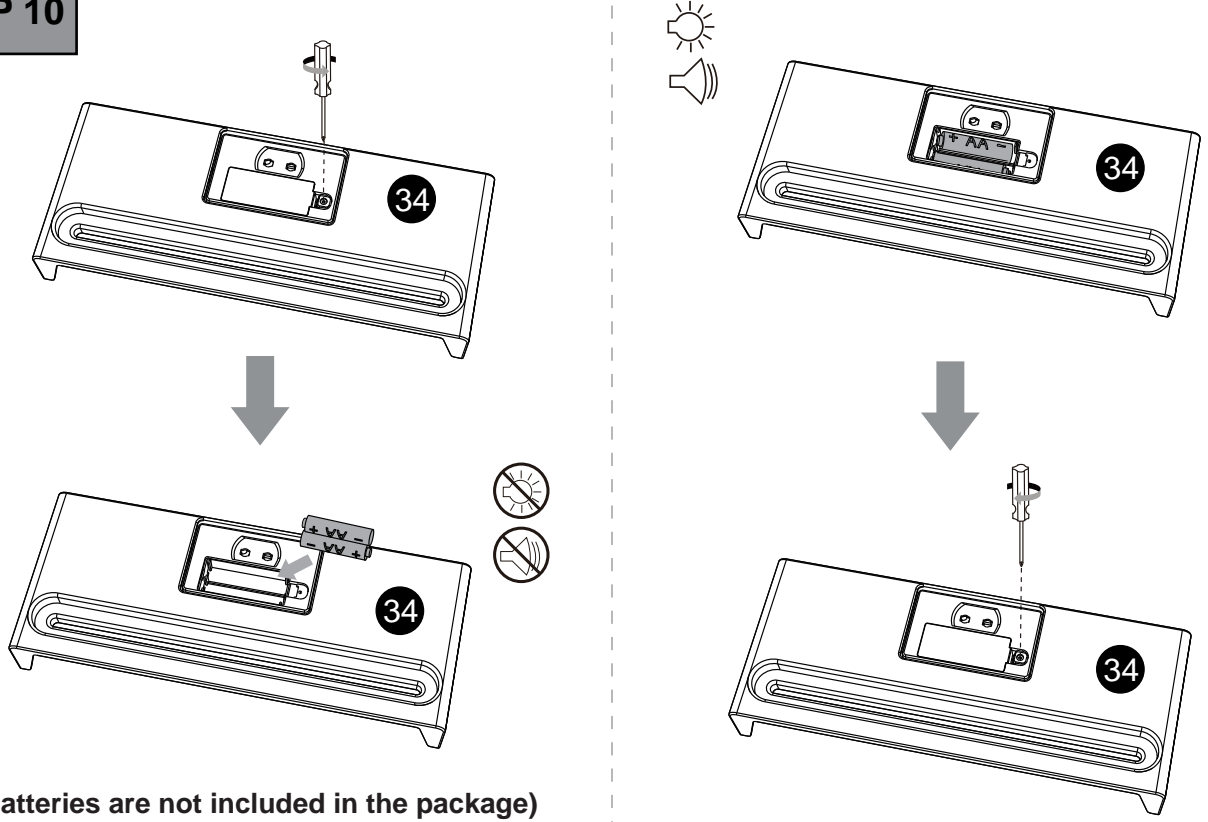


STEP 9

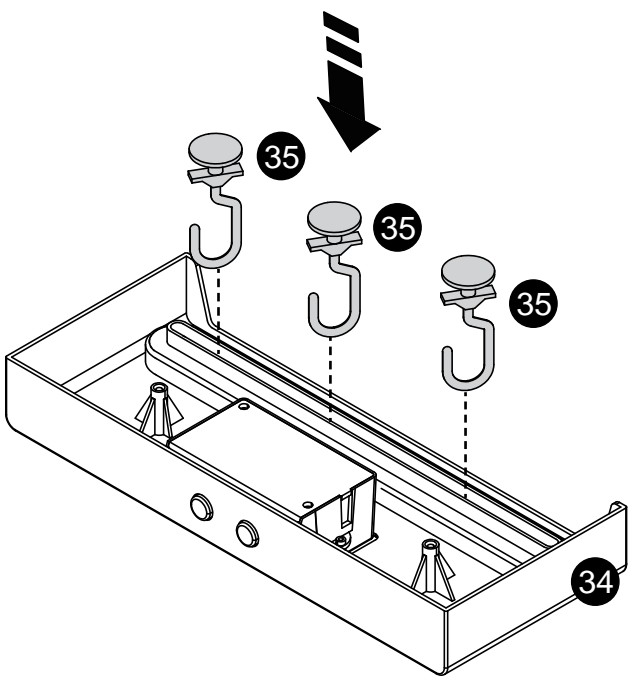


INSTALLATION STEPS

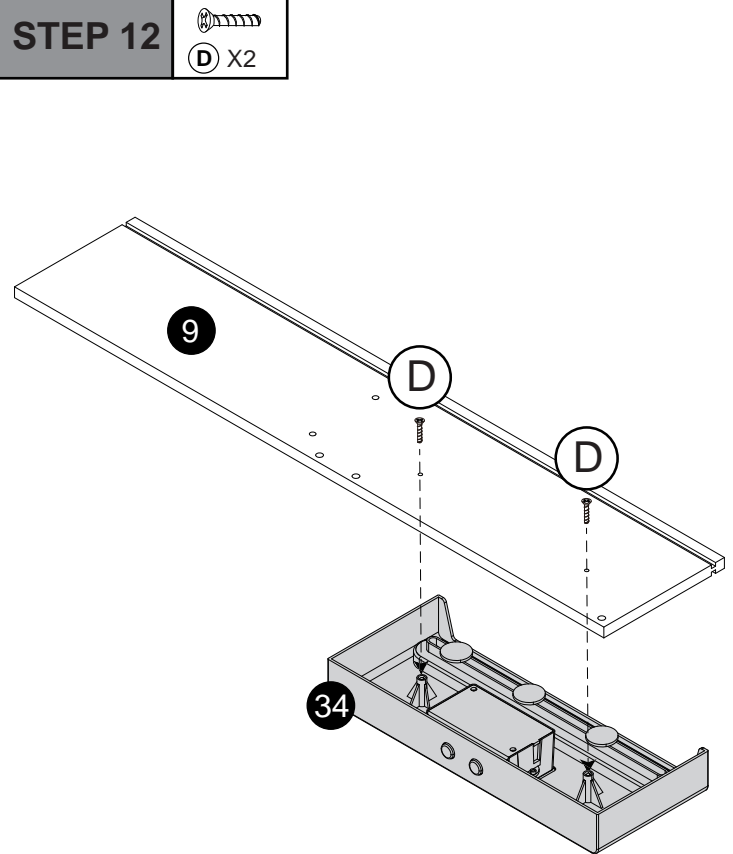
STEP 10



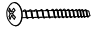

STEP 11

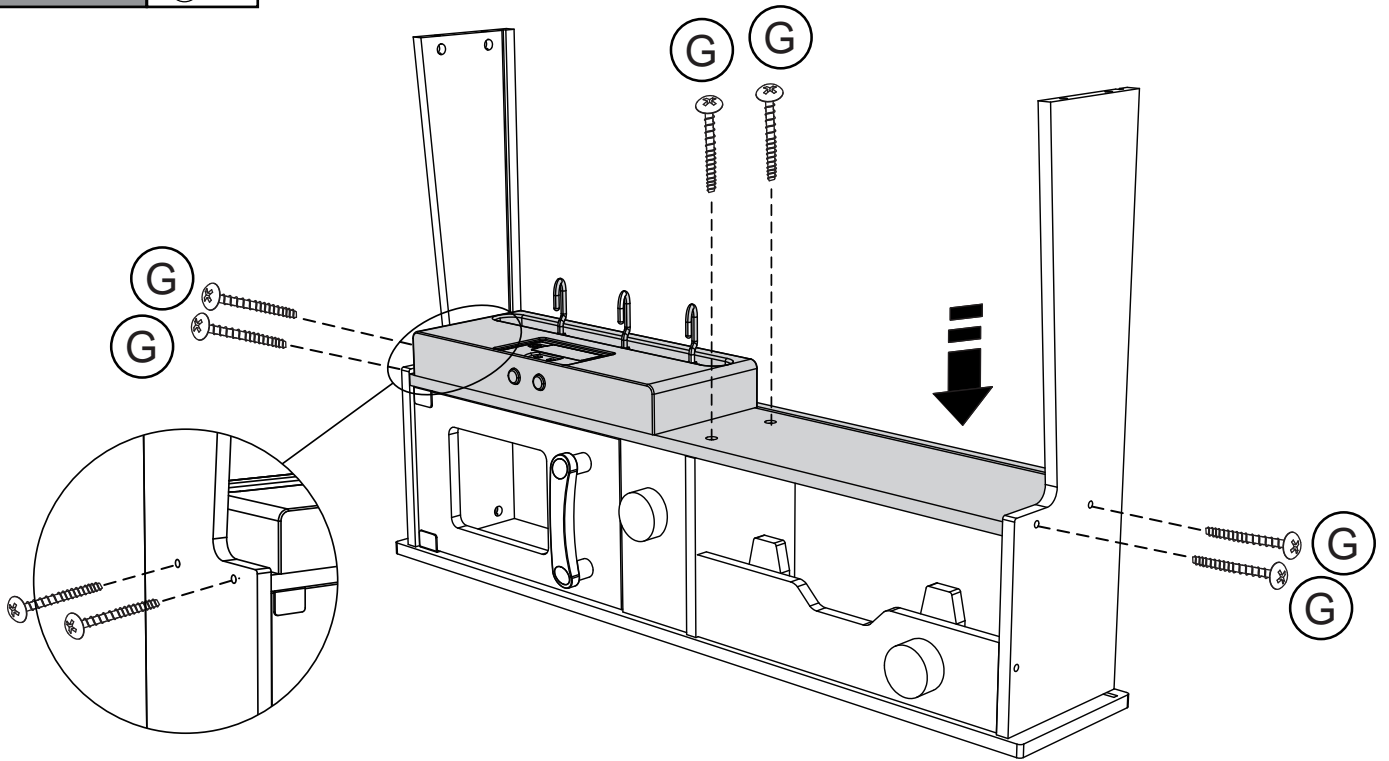


STEP 12

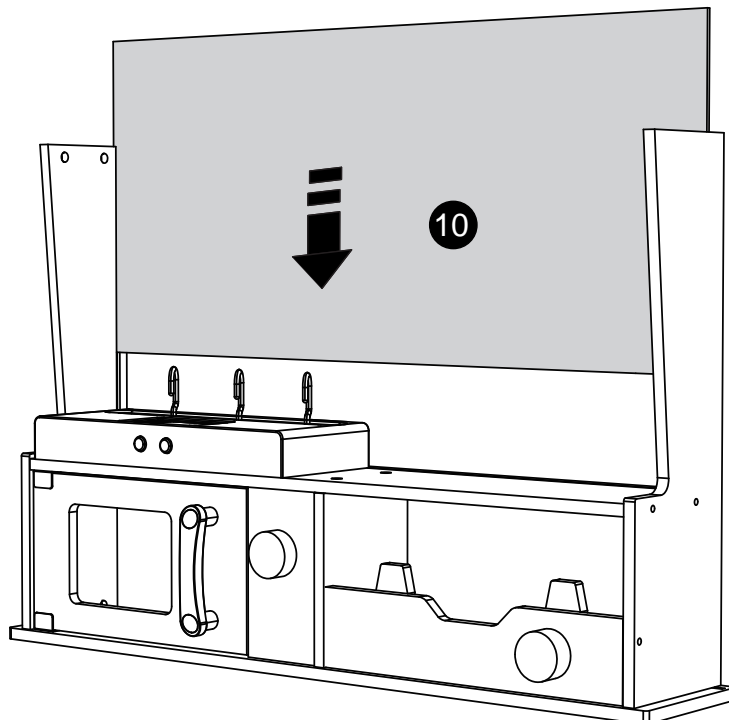


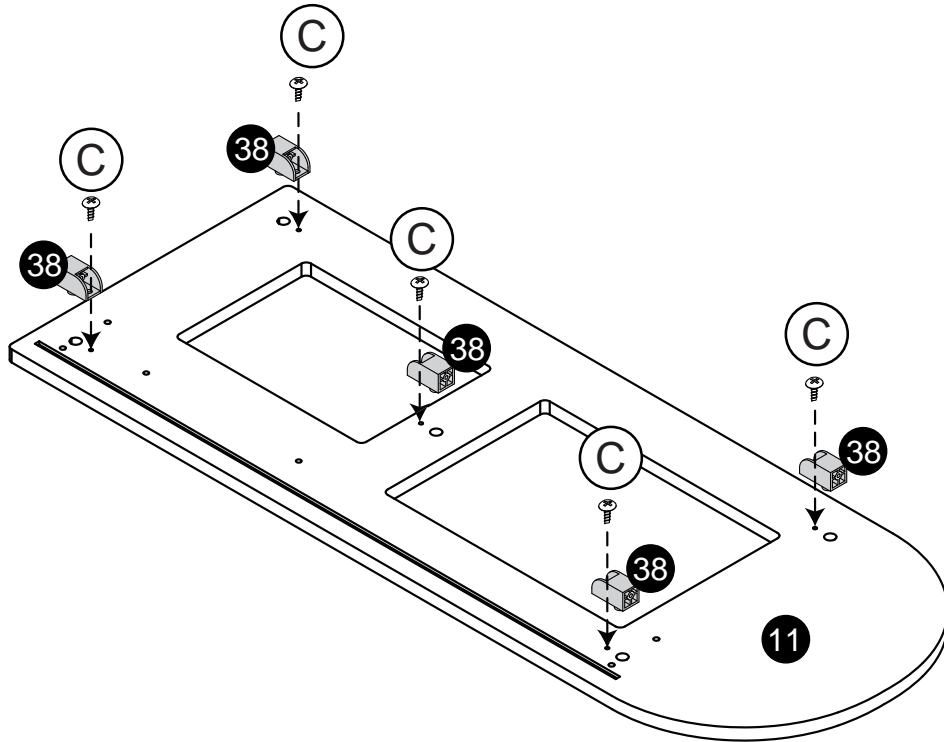
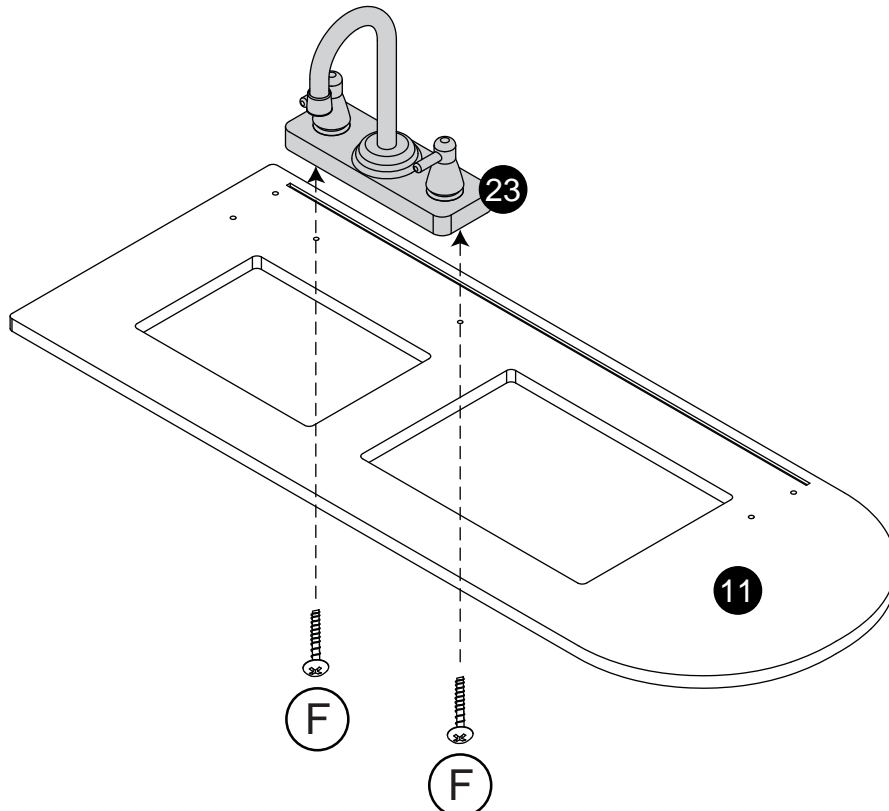
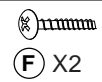
INSTALLATION STEPS

STEP 13   X6

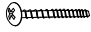


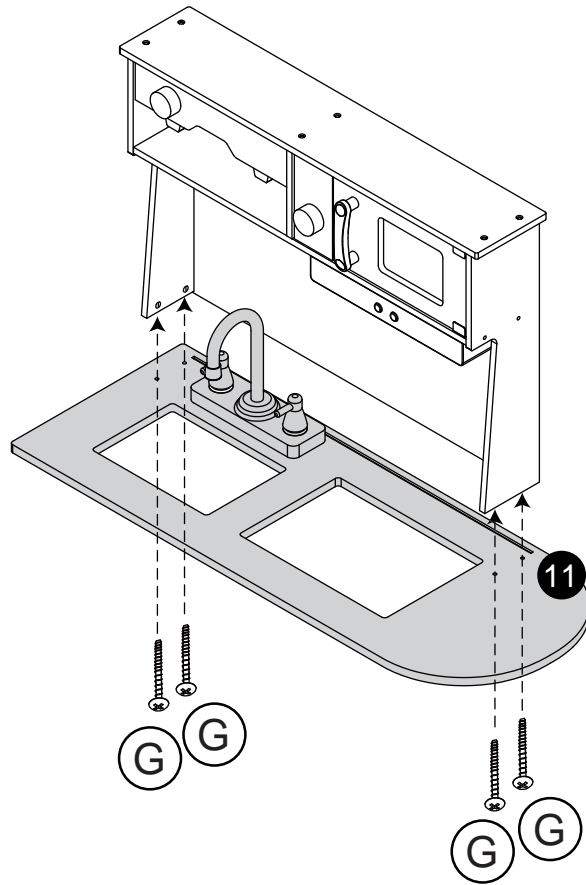
STEP 14



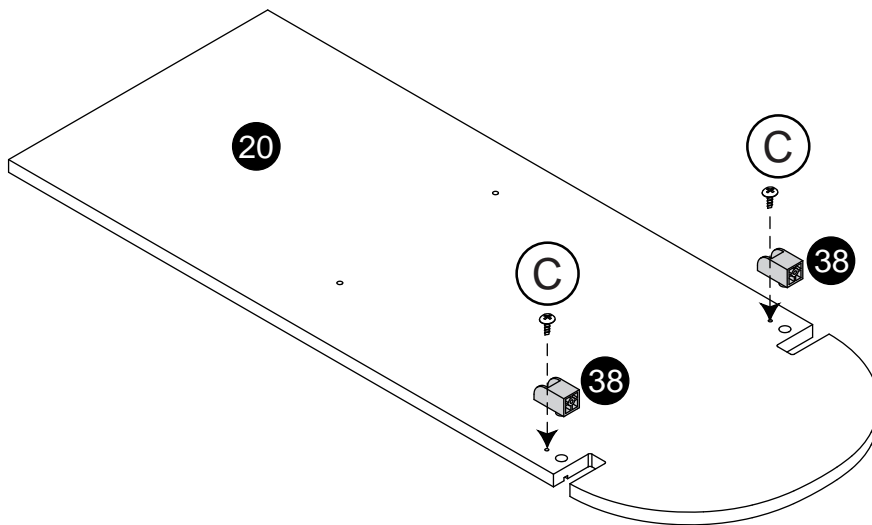
INSTALLATION STEPS**STEP 15****STEP 16**

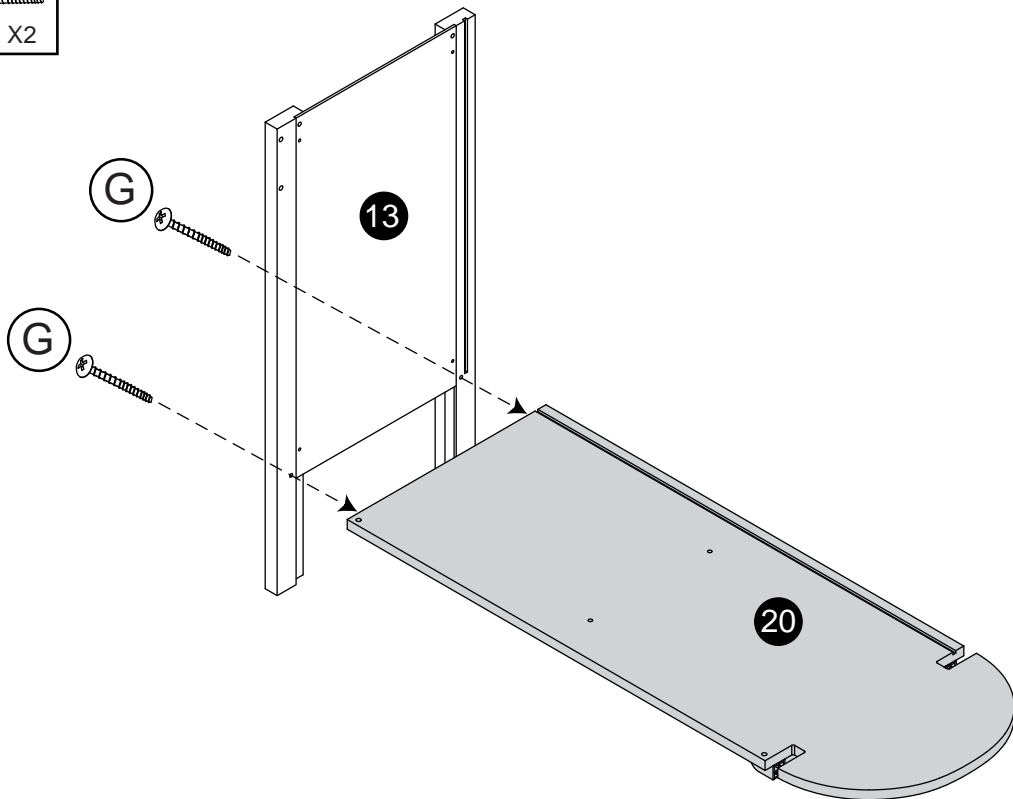
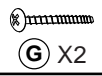
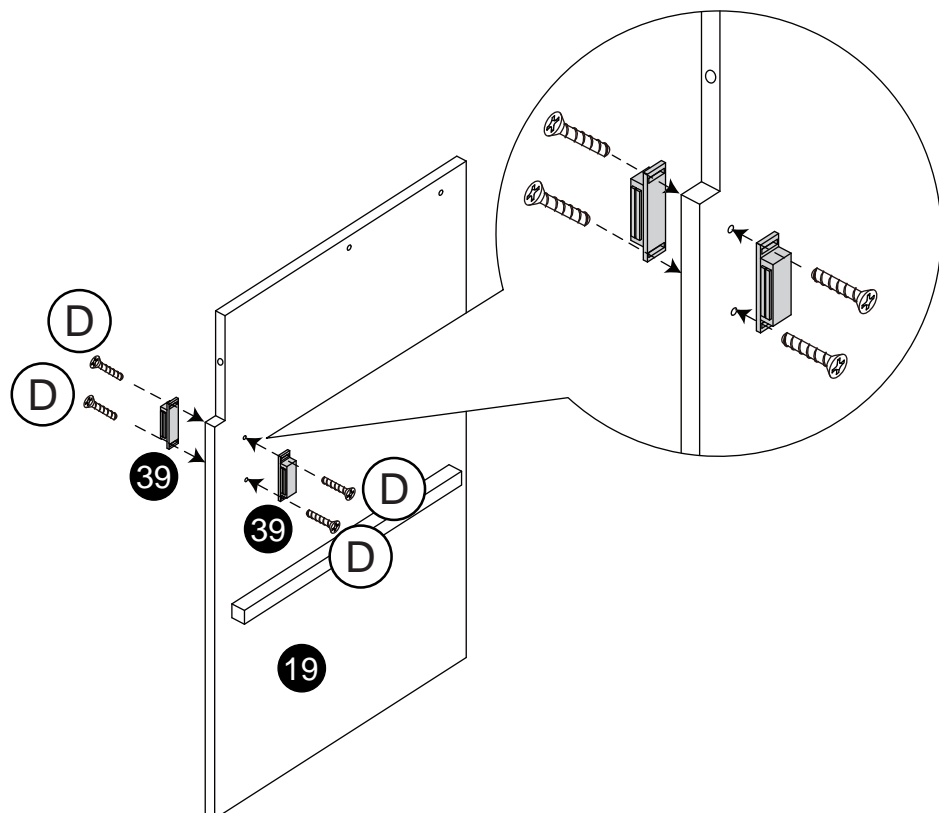
INSTALLATION STEPS

STEP 17  **G X4**

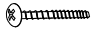


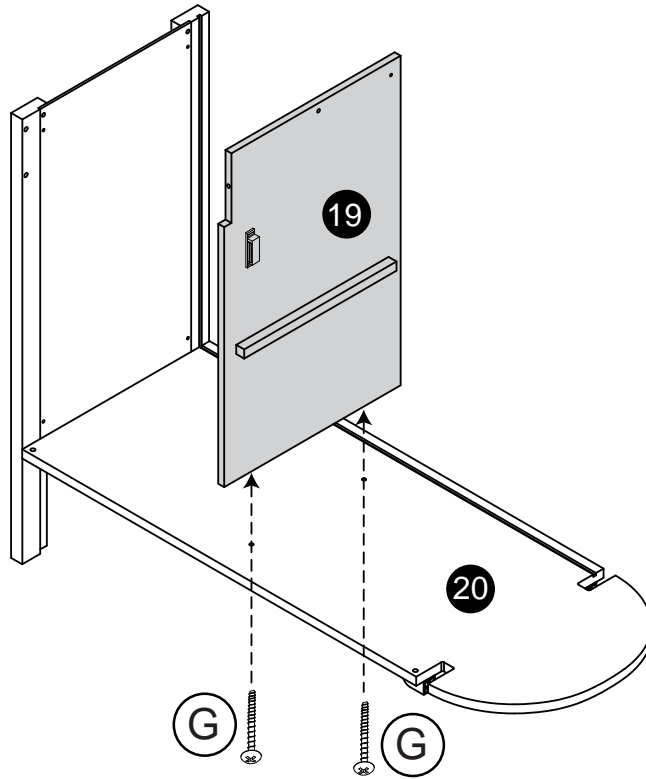
STEP 18  **C X2**



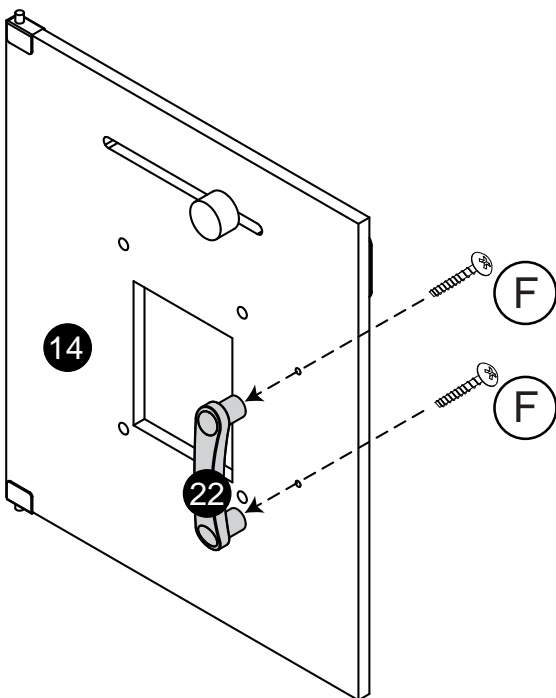
INSTALLATION STEPS**STEP 19****STEP 20**

INSTALLATION STEPS

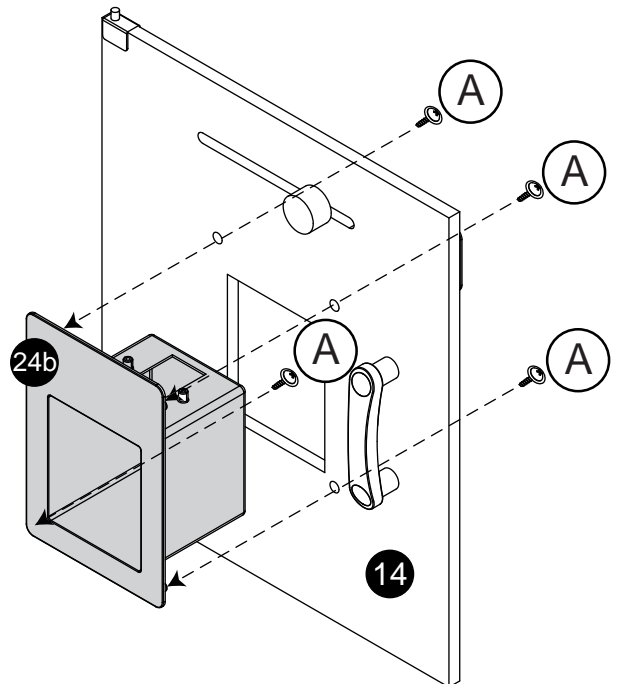
STEP 21  **G** X2

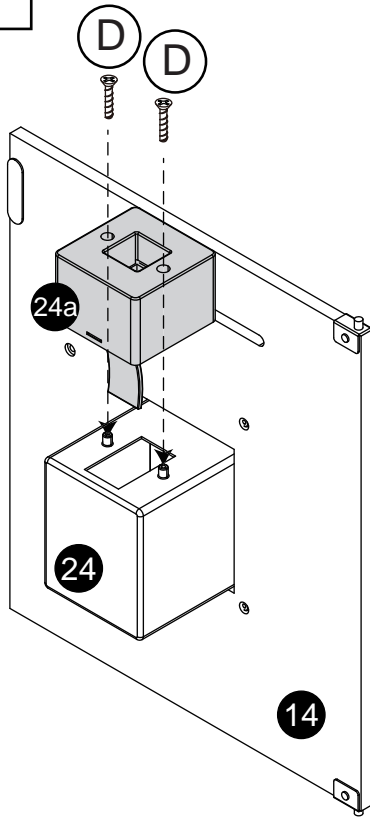
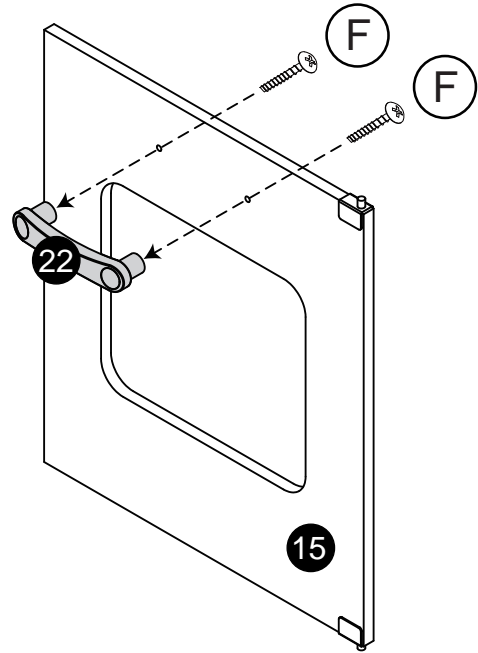
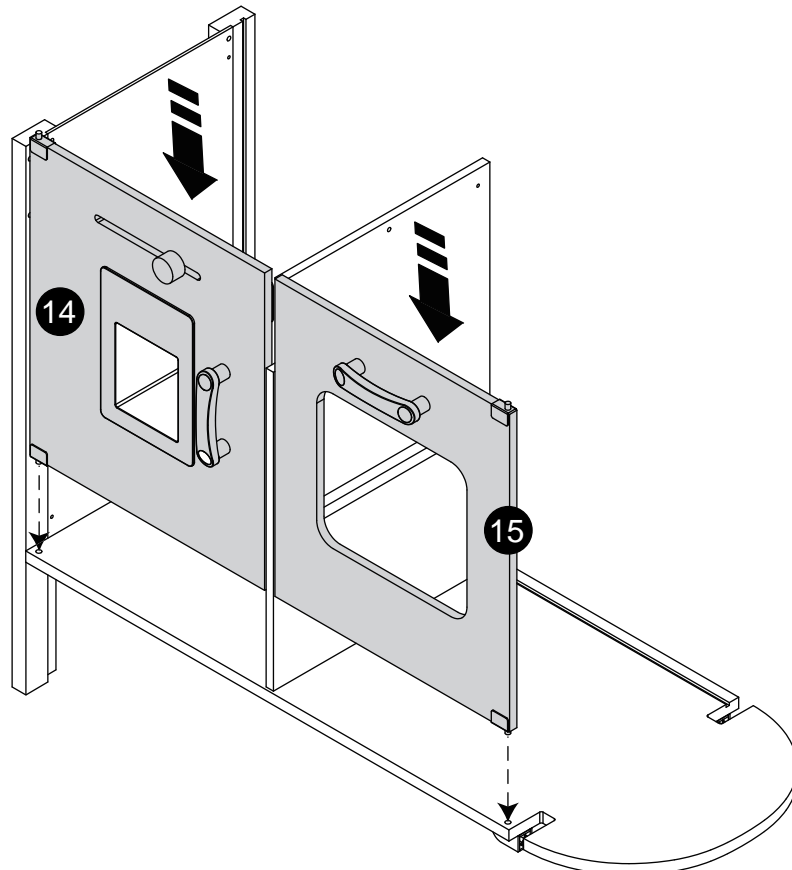


STEP 22  **F** X2



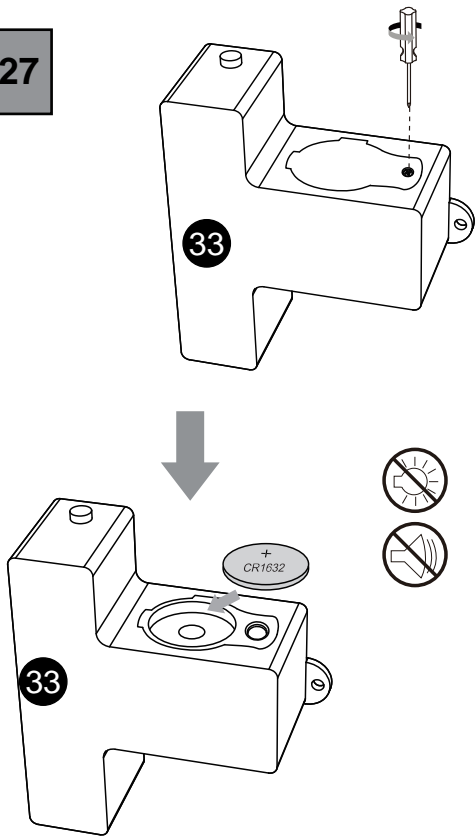
STEP 23  **A** X4



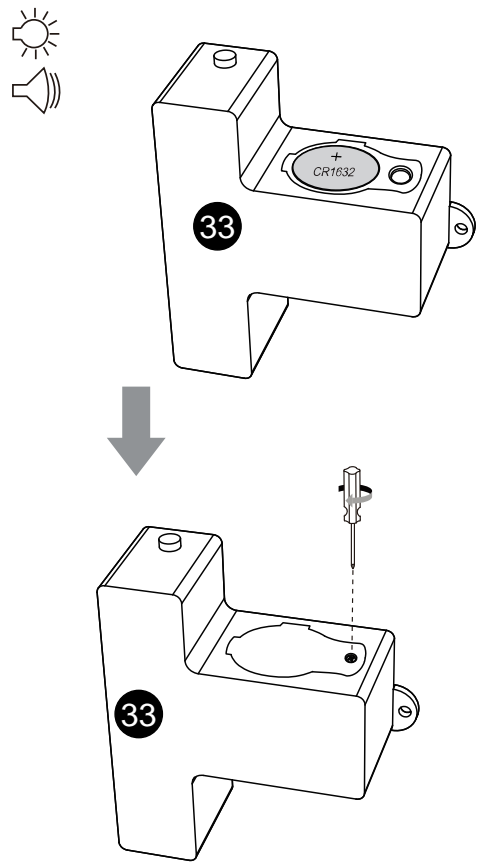
INSTALLATION STEPS**STEP 24****STEP 25****STEP 26**

INSTALLATION STEPS

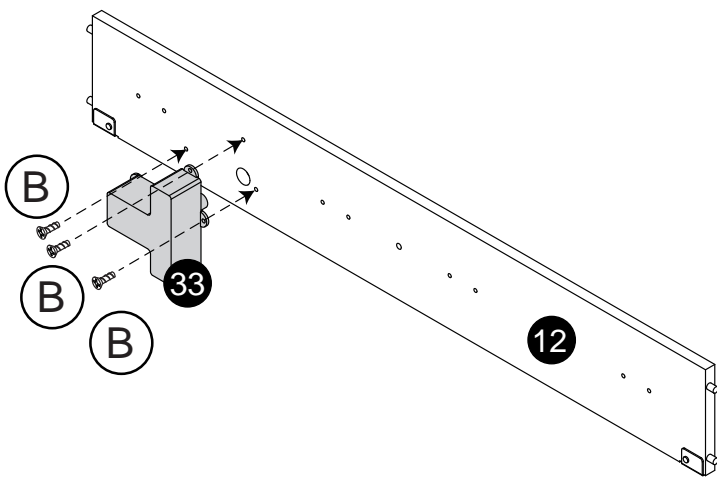
STEP 27



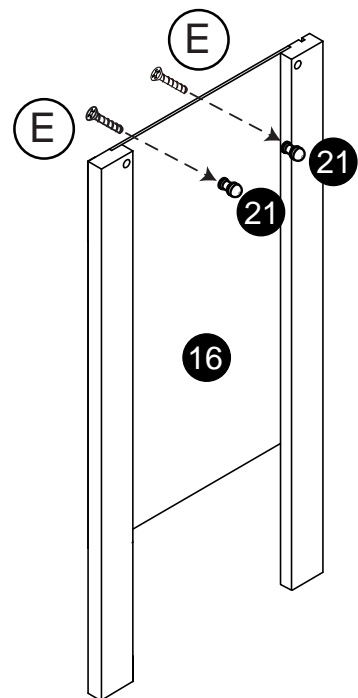
(Batteries are not included in the package)



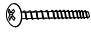
STEP 28

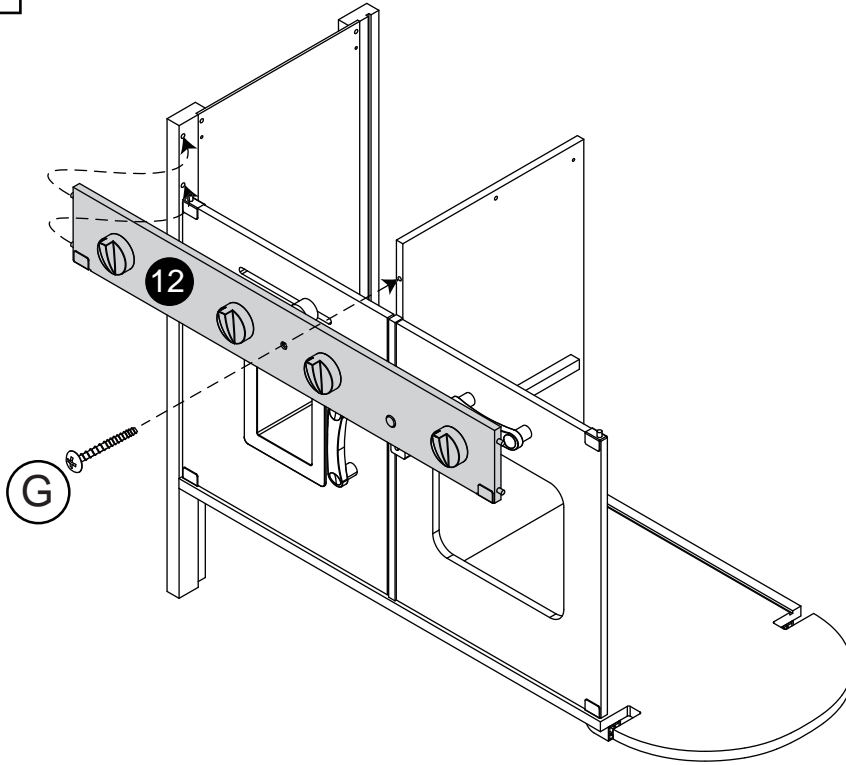


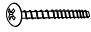

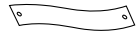
STEP 29

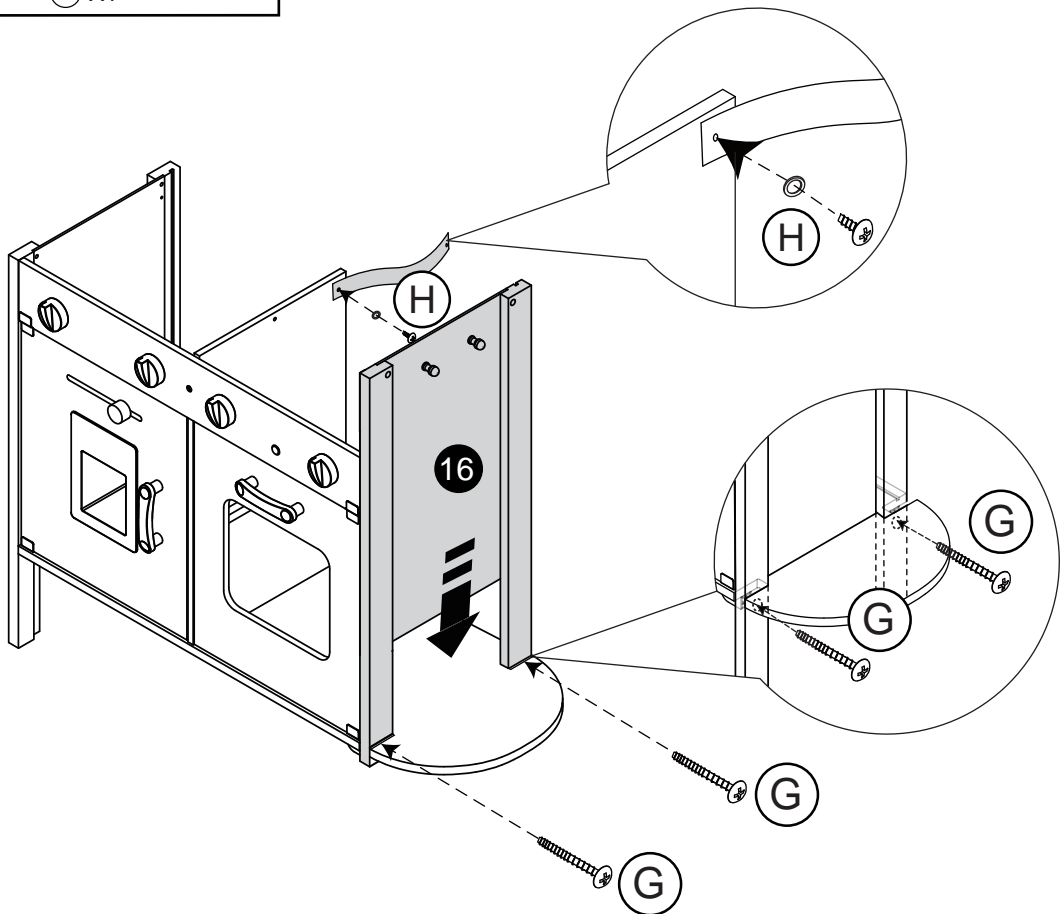


INSTALLATION STEPS

STEP 30  **G** X1

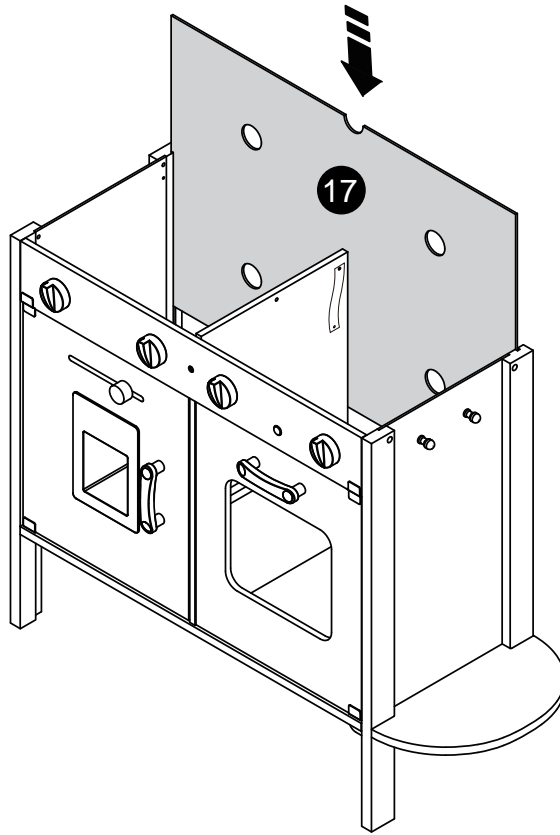


STEP 31  **G** X2  **H** X1 



INSTALLATION STEPS

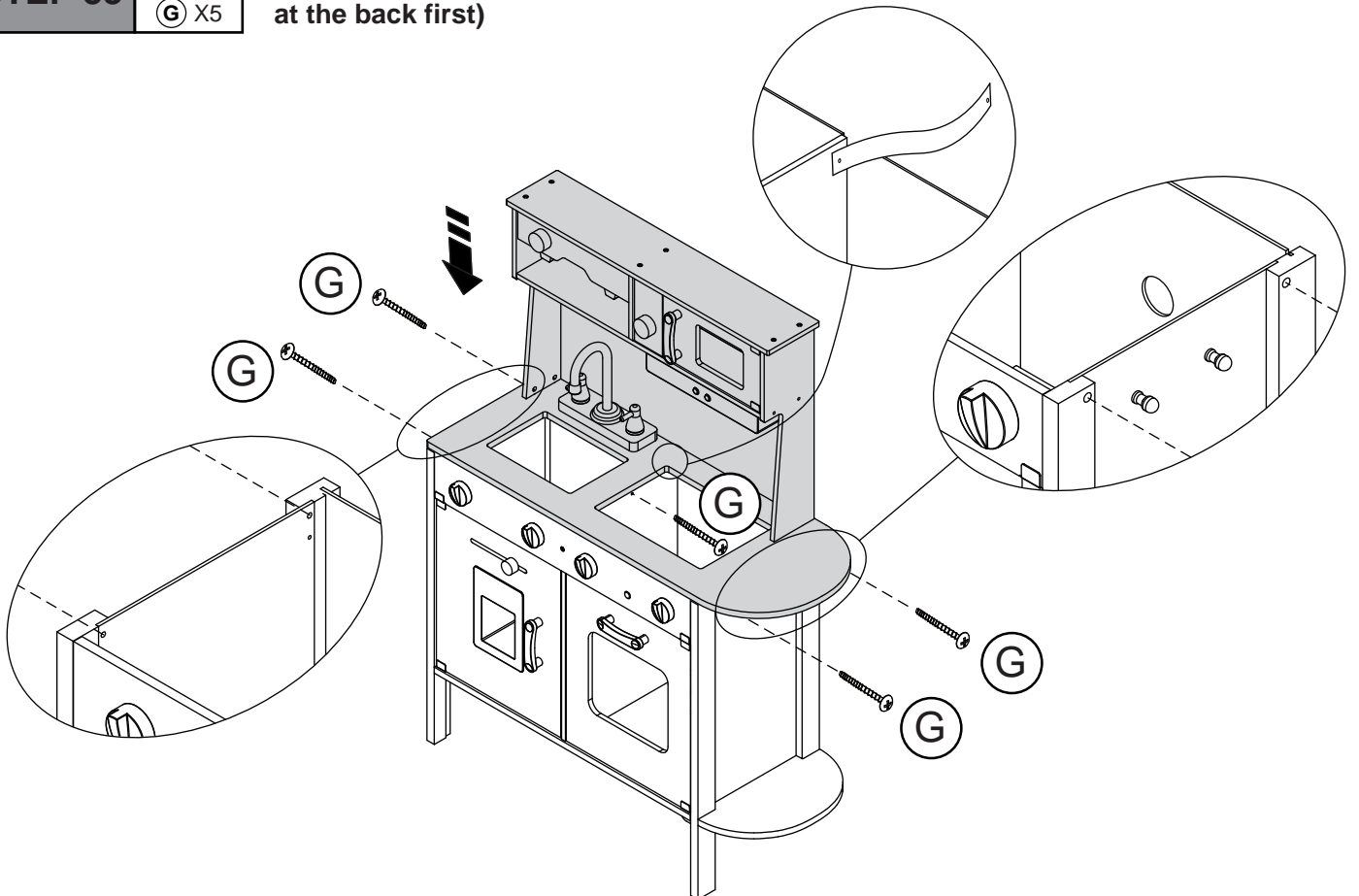
STEP 32



STEP 33

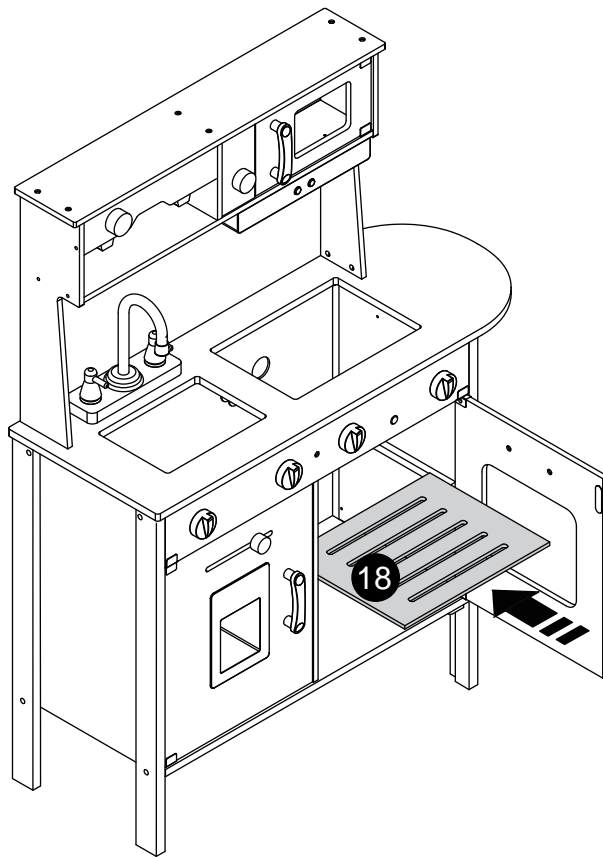


(Put the anti-toppling rope at the back first)

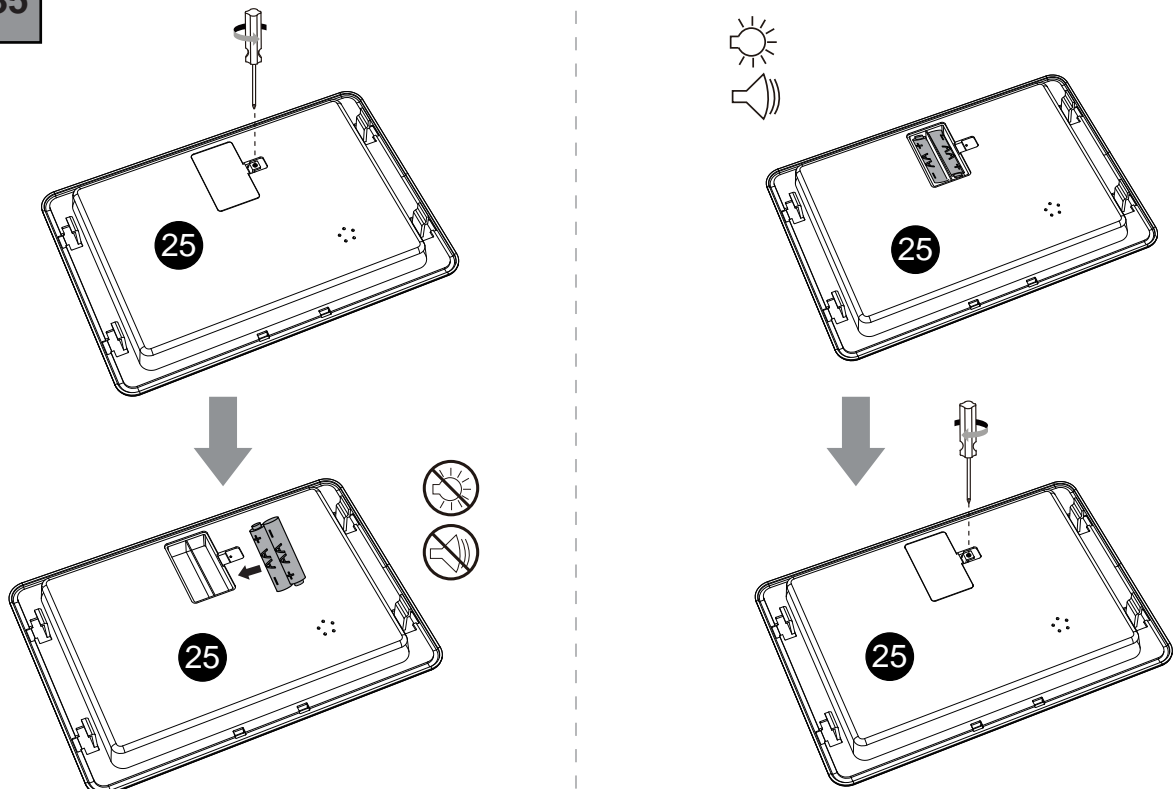


INSTALLATION STEPS

STEP 34



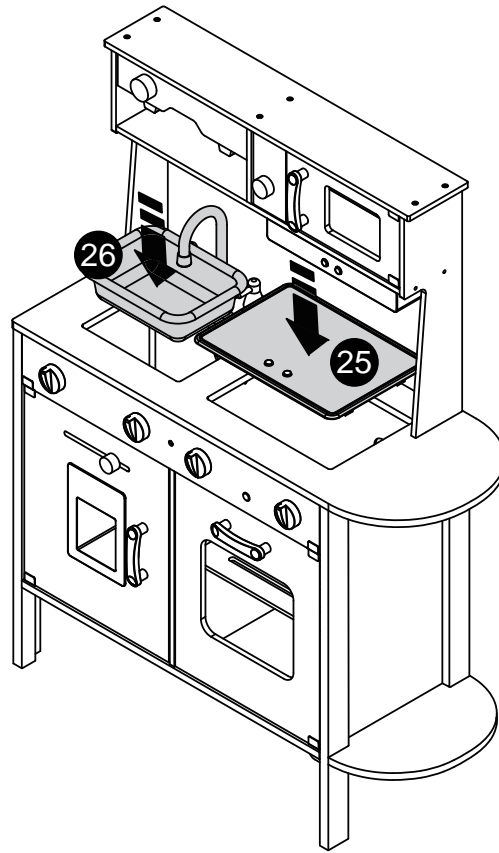
STEP 35



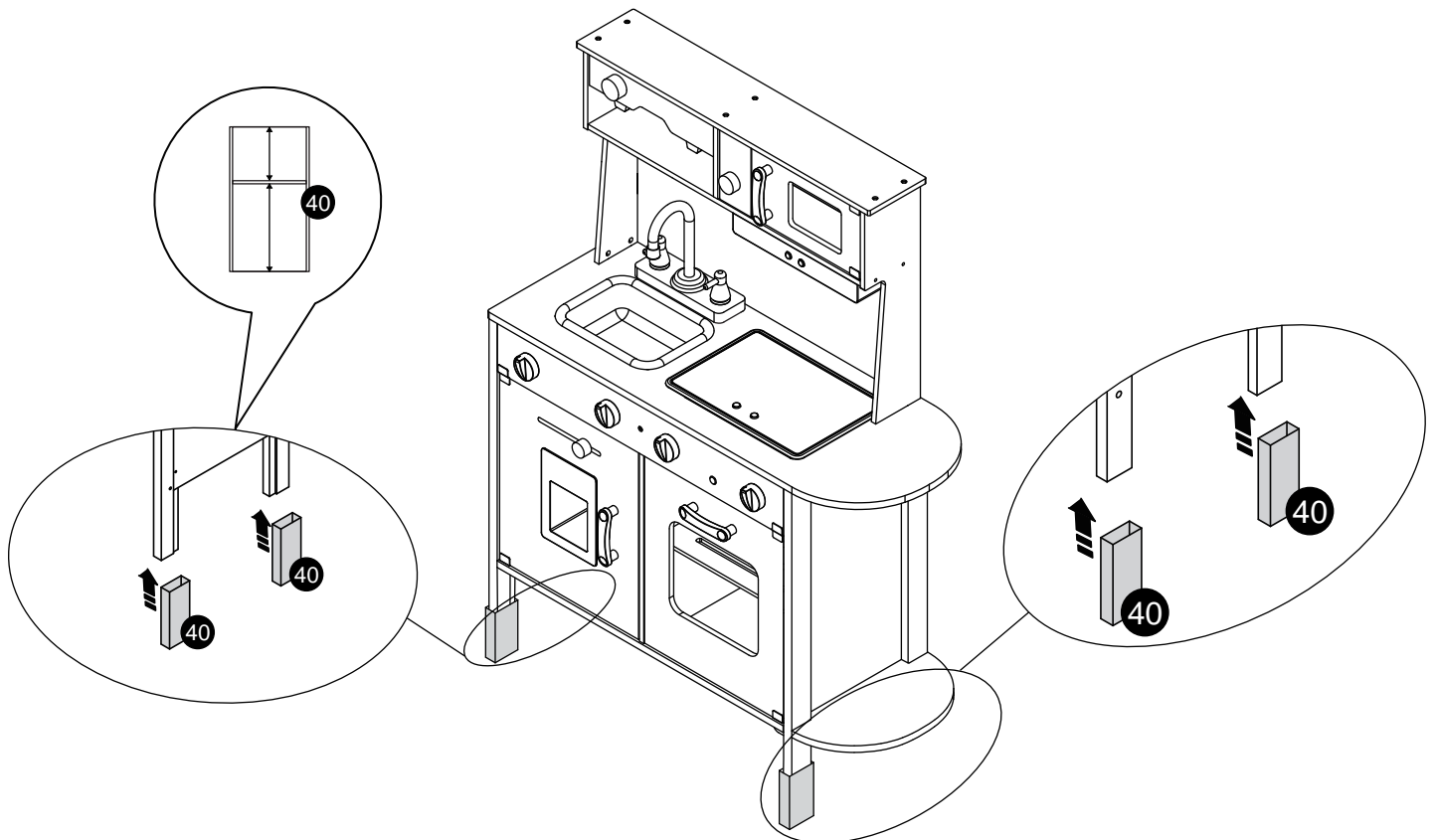
(Batteries are not included in the package)

INSTALLATION STEPS

STEP 36

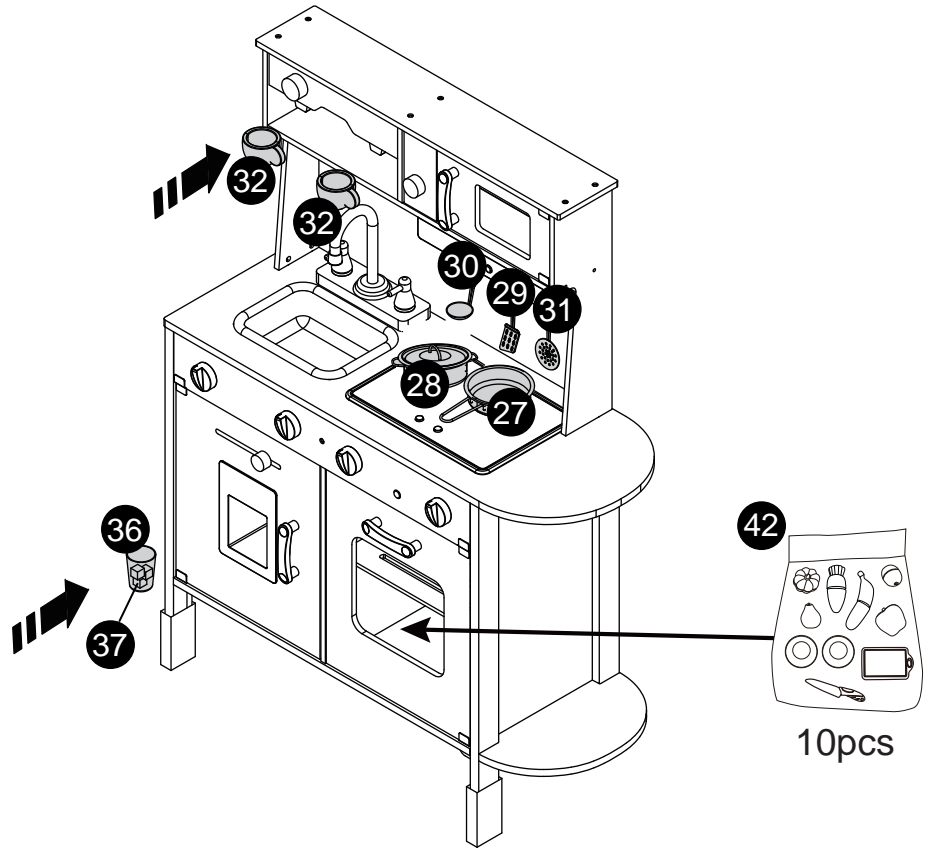


STEP 37 (Adjust the height as needed)

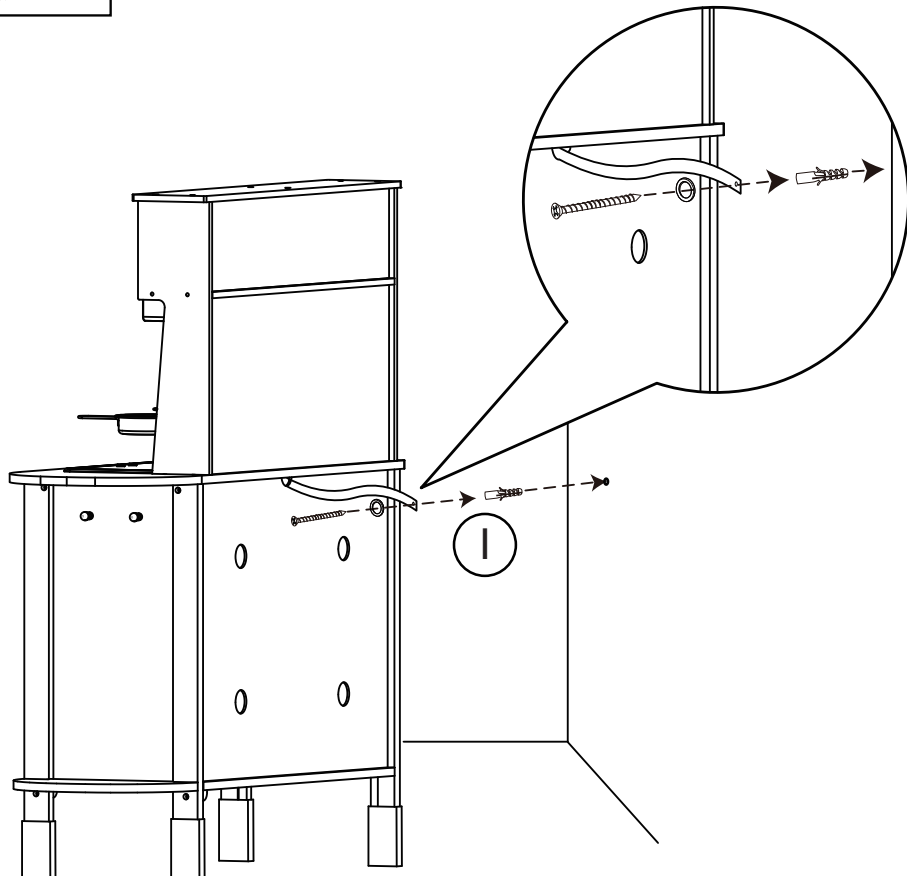
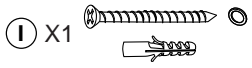


INSTALLATION STEPS

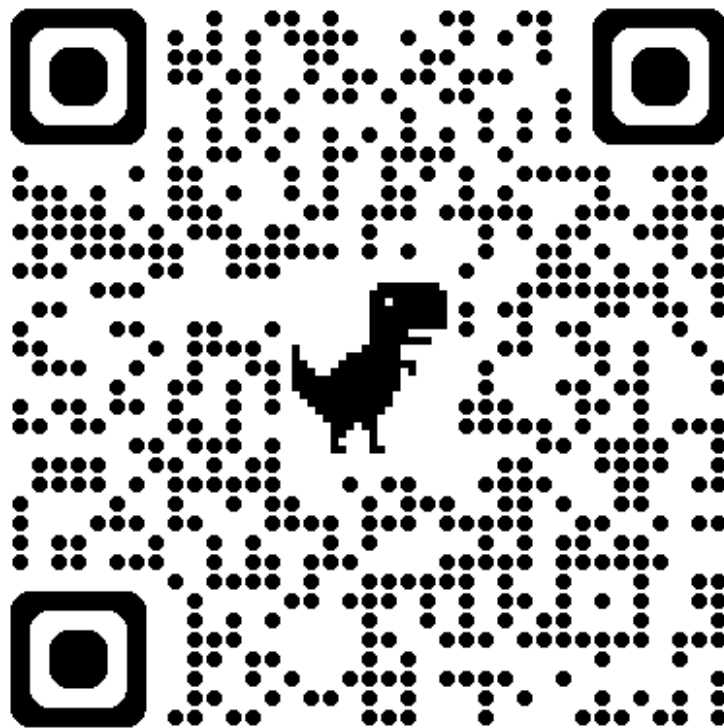
STEP 38



STEP 39



**Please scan the QR code above
for installation video!**



Question about your product? We're here to help.

Contact Us Via: bierumbaby@hotmail.com

We offer 24 hours customer service. If you experience any problems with missing parts, please feel free to contact us. We will arrange for new parts as soon as possible. Your satisfaction is our top priority.

Thank you for choosing us!