

WOOD PORCH ROCKER FURNITURE CARE

Congratulations on your purchase! Now, you can sit back and enjoy your outdoor furniture for many years to come.

All wood products require care to keep them looking good and to prevent premature weathering and deterioration.

It is recommended that you apply one coat of protectant* annually for protection against weather, heat and sunlight.

However, for use in direct sunlight or excessive temperatures, spray 1 coat of protectant* prior to placement. We also strongly recommend not letting children stand on the rocker feet as it could damage them and is dangerous.

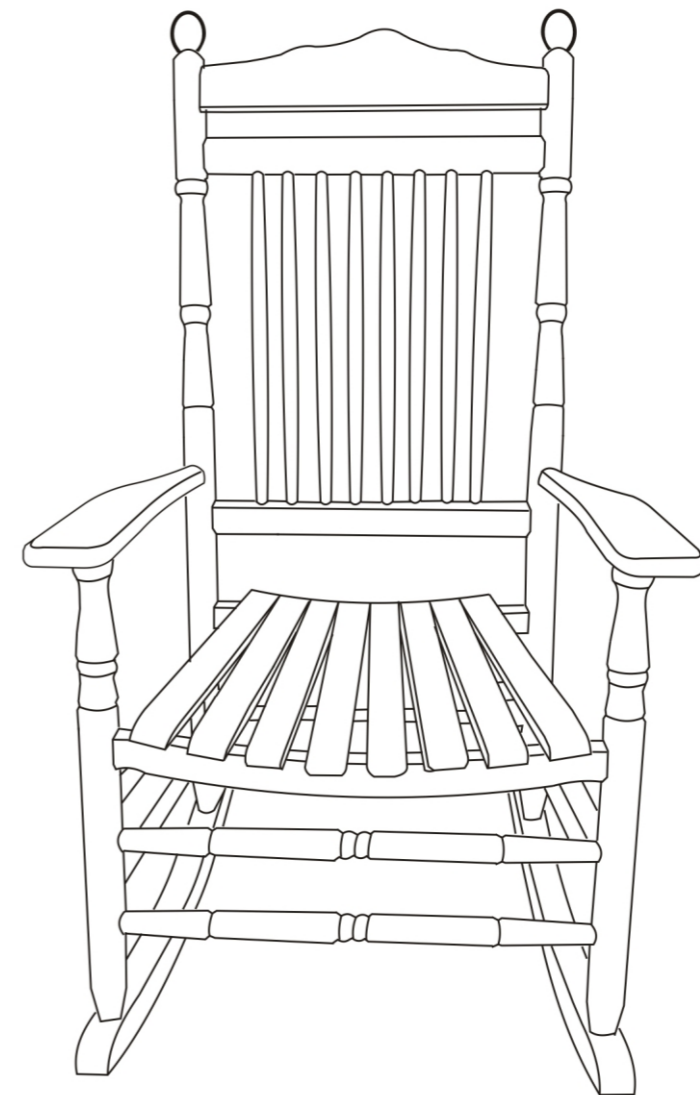
For longevity, we suggest putting painted furniture on a porch, patio, or in a shady area, and storing them during inclement weather. Dust with a soft cloth, clean with water, and let air dry.

Due to the nature of wood, surface cracking and slight color variations will occur, but the product and the wood will remain structurally sound for years.

*Recommended Protectant: RUST - OLEUMR PAINTER'S TOUCHR2X ULTRA COVER, 12 oz. CLEAR SPRAY

B&Z Associates Co.,Ltd

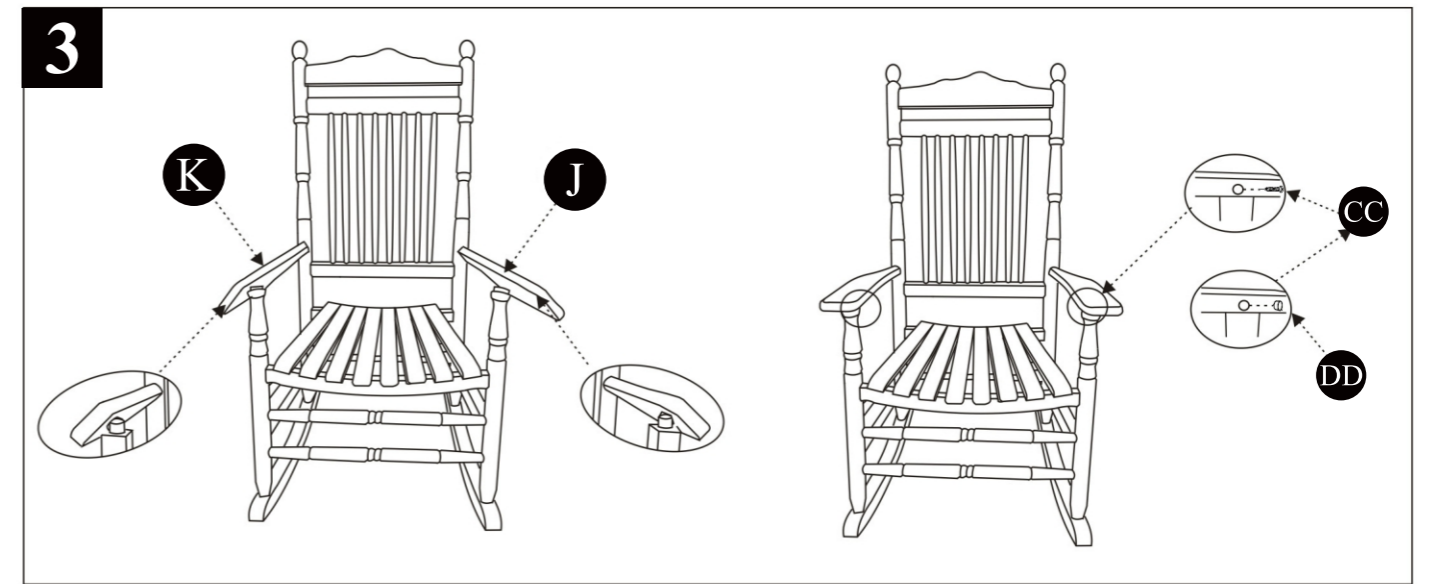
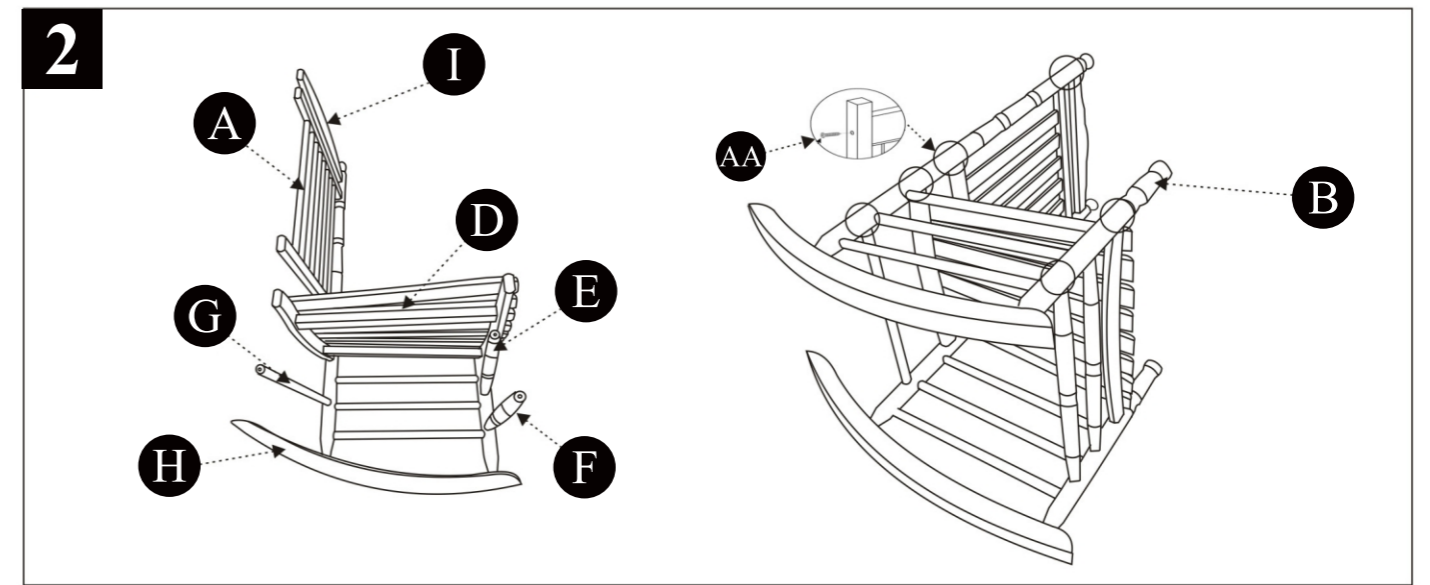
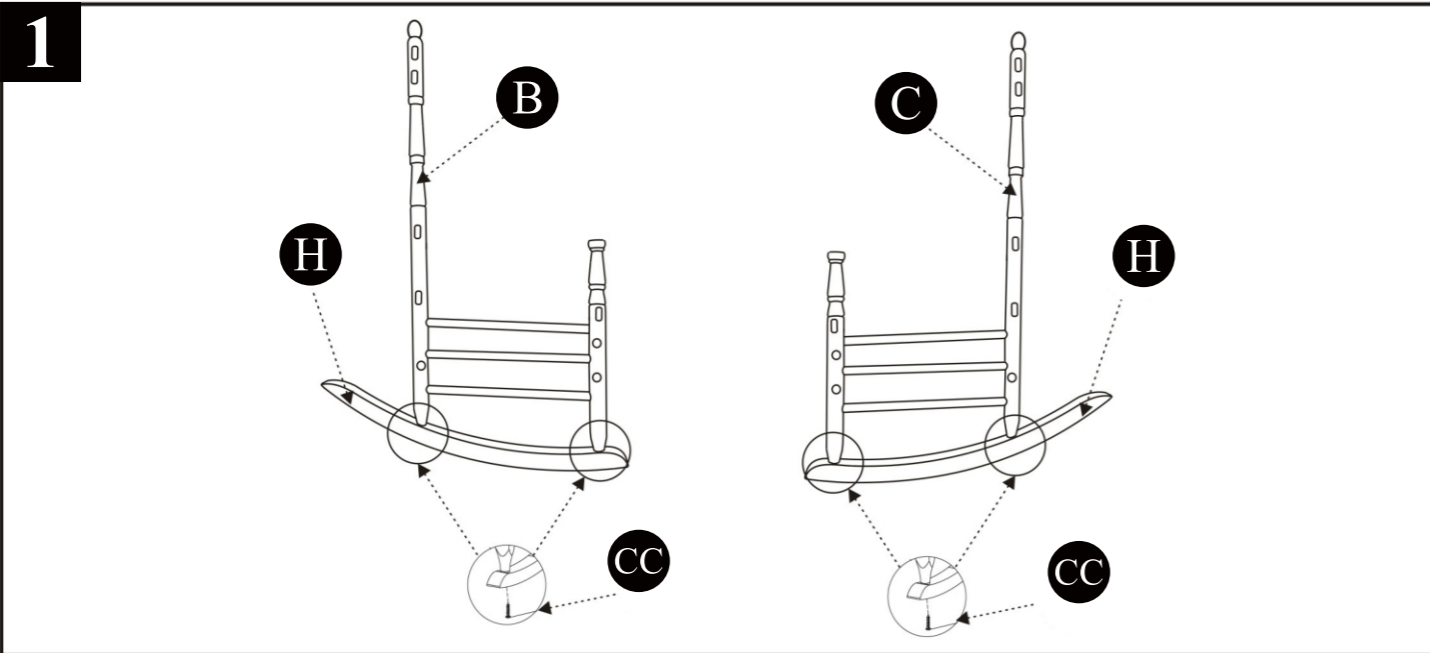
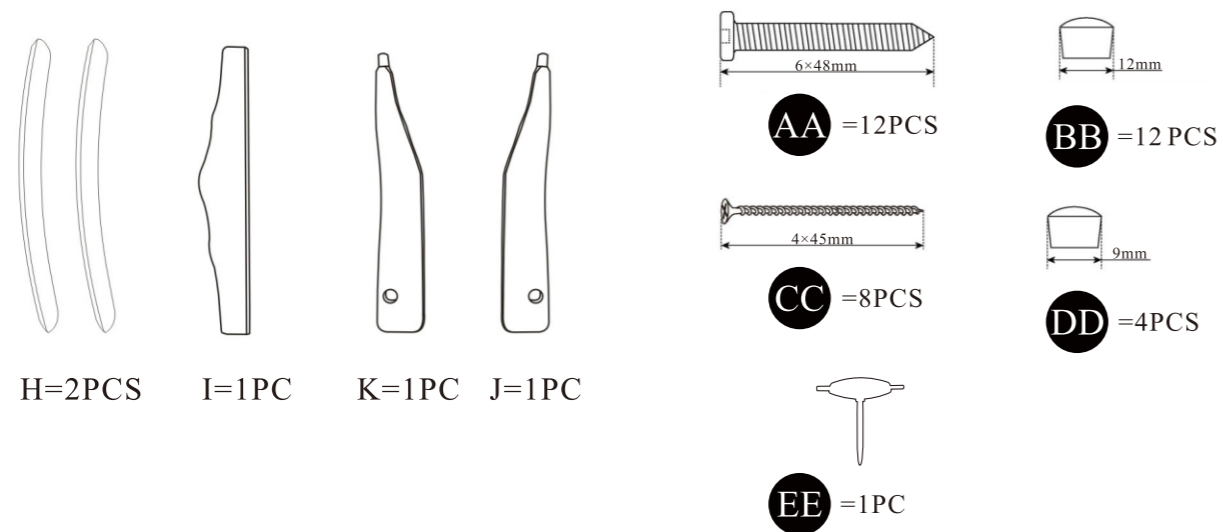
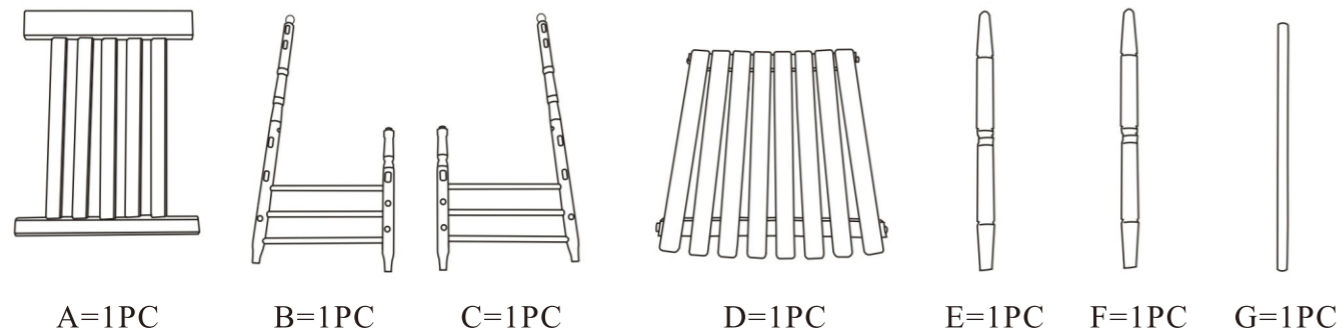
PORCH ROCKER KD-22 SERIES ASSEMBLY INSTRUCTIONS



CAUTION - PLEASE READ

1. This chair is NOT RECOMMENDED FOR WEIGHT OF MORE THAN 220LBS.
2. Care should be taken to avoid tipping while seated.
3. This chair is designed for use on level ground only. Do not use on unlevel ground.
4. To avoid harm or injury - do not sit on arms.
5. PRODUCT IS FOR RESIDENTIAL USE ONLY - NOT MEANT FOR COMMERCIAL USE.

PACKAGE CONTENTS CONTENIDO DEL PAQUETE. CONTENU DE L'EMBALLAGE. CONTENIDO DEL PAQUETE



BplusZ

B&Z Associates Co.,Ltd
 Assembly Instruction
 No.1-658, Tongsheng Road, Development Area,
 Nantong, Jiangsu, CN
 Customer Service: cs@bz-associates.com
 Monday - Saturday: 8:00 AM - 5:00 PM
 Sunday: Rest